

United States Patent [19]

Gregg et al.

[11] Patent Number: **Des. 294,451**

[45] Date of Patent: **** Mar. 1, 1988**

[54] CLOTHES HANGER CLAMP FOR LUGGAGE

[75] Inventors: James S. Gregg, Aurora; Richard E. Molesworth, Highlands Ranch, both of Colo.

[73] Assignee: Samsonite Corporation, Denver, Colo.

[*] Notice: The portion of the term of this patent subsequent to Feb. 2, 2002 has been disclaimed.

[**] Term: 14 Years

[21] Appl. No.: 673,352

[22] Filed: Nov. 23, 1984

[52] U.S. Cl. D8/330

[58] Field of Search D8/330-331, D8/333, 336, 338, 349; 211/113; 24/516-517, 499; 206/278-279, 291, 287, 300, 289, 292, 285

[56] **References Cited**

U.S. PATENT DOCUMENTS

Re. 31,078	11/1982	London et al.	24/516 X
743,454	11/1903	Cohn .	
851,661	4/1907	Hewlett et al. .	
1,285,981	11/1918	Glassburn .	
1,948,019	2/1934	Ballentine	206/287
2,066,148	12/1936	Heiber et al.	24/271 X

2,235,407	3/1941	Pujol	24/516
2,251,800	8/1941	Painter .	
3,228,738	1/1966	Koffler	206/278 X
3,531,835	10/1970	Paikin .	
3,566,456	3/1971	London	206/279
3,883,003	5/1975	Sanhammer et al.	206/278 X
4,252,220	2/1981	London	24/516 X
4,363,388	12/1982	London et al.	24/517 X
4,489,466	12/1984	Bakker	24/516 X

FOREIGN PATENT DOCUMENTS

528259 6/1931 Fed. Rep. of Germany .

Primary Examiner—Wallace R. Burke

Assistant Examiner—Brian N. Vinson

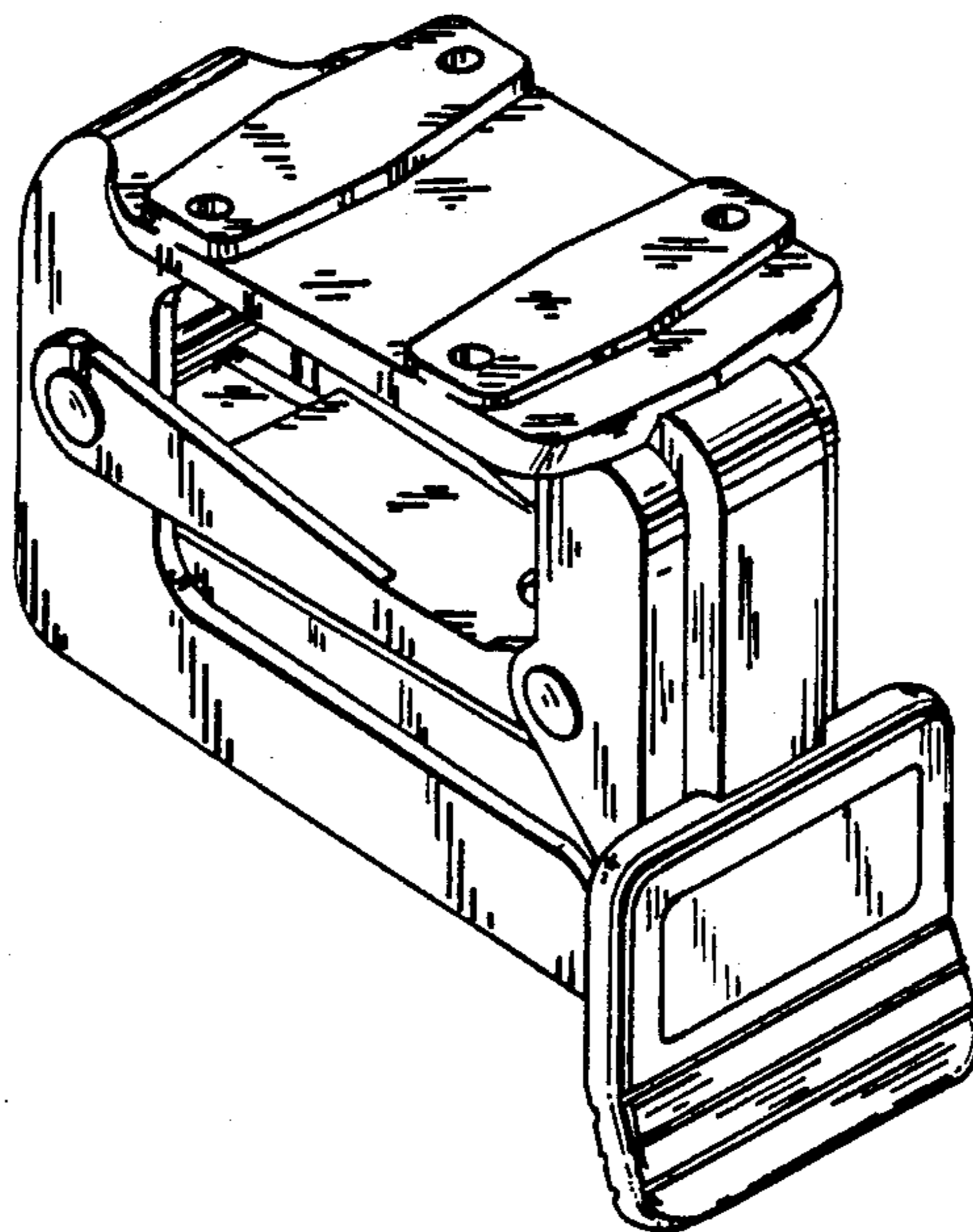
Attorney, Agent, or Firm—John R. Ley

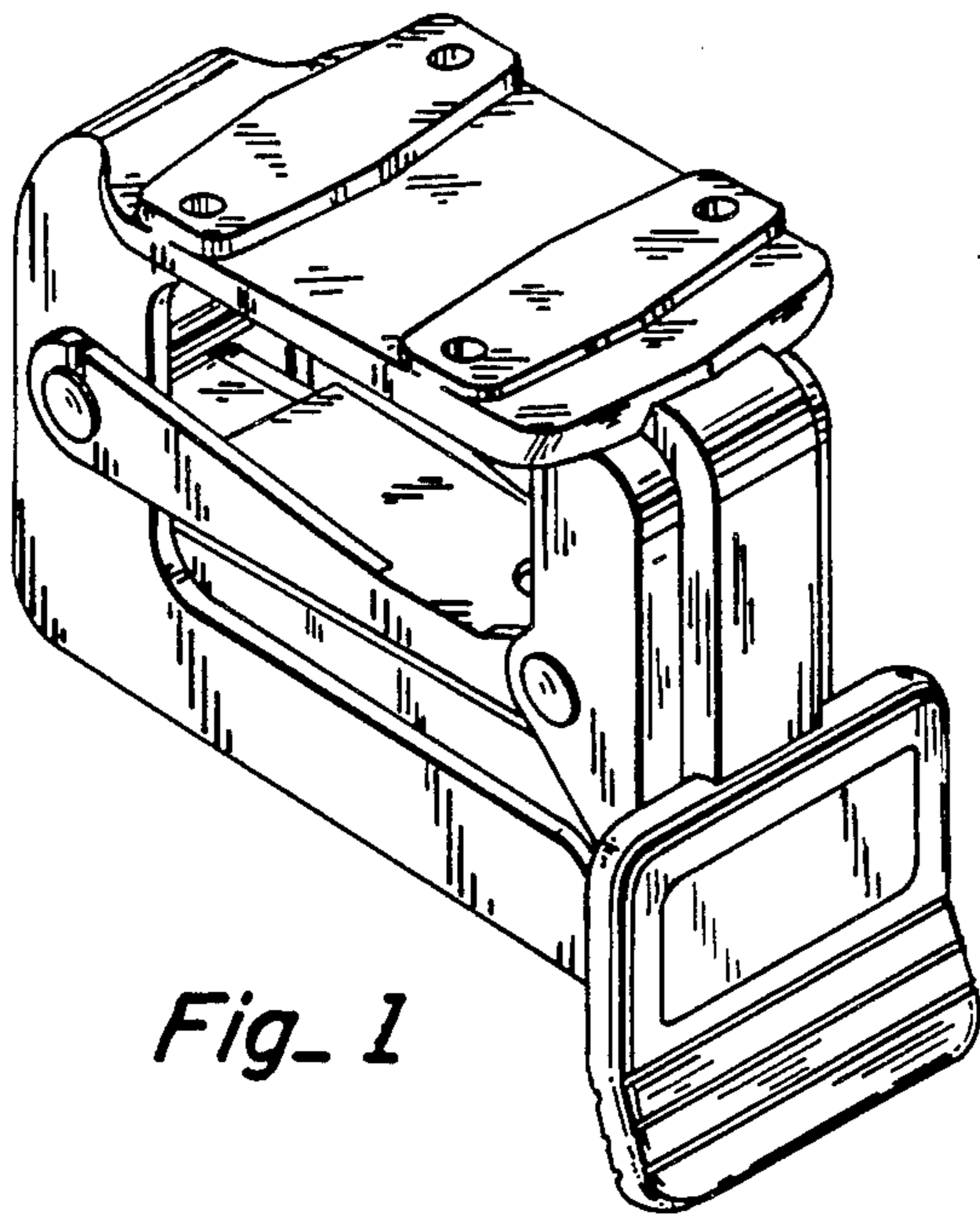
[57] **CLAIM**

The ornamental design for a clothes hanger clamp for luggage, as shown.

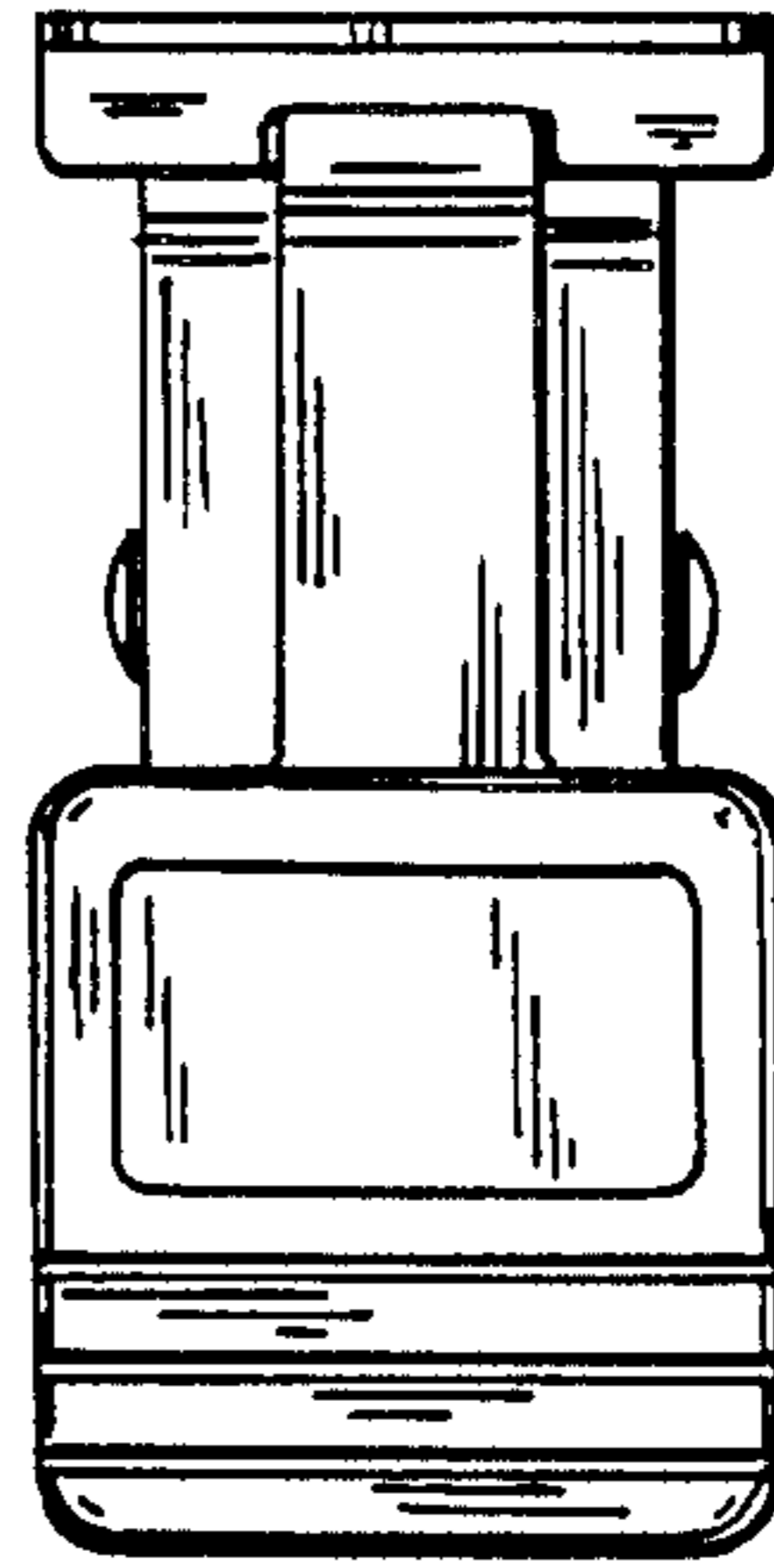
DESCRIPTION

FIG. 1 is a perspective view of a clothes hanger clamp for luggage embodying our new design; FIG. 2 is a front end elevational view thereof; FIG. 3 is a rear end elevational view thereof; FIG. 4 is a left side elevational view thereof; FIG. 5 is a top plan view thereof; FIG. 6 is a right side elevational view thereof; and FIG. 7 is a bottom plan elevational view thereof.

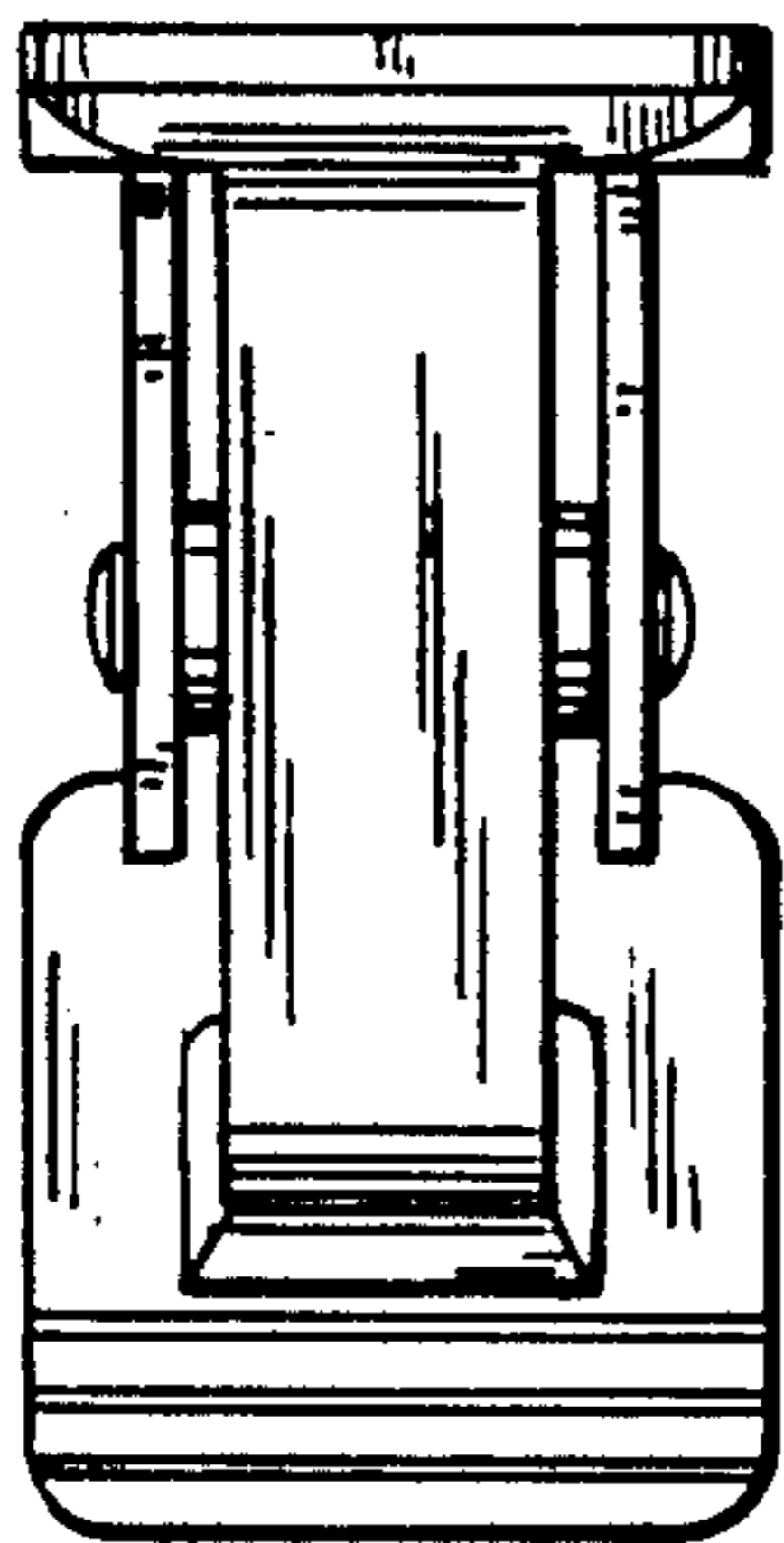




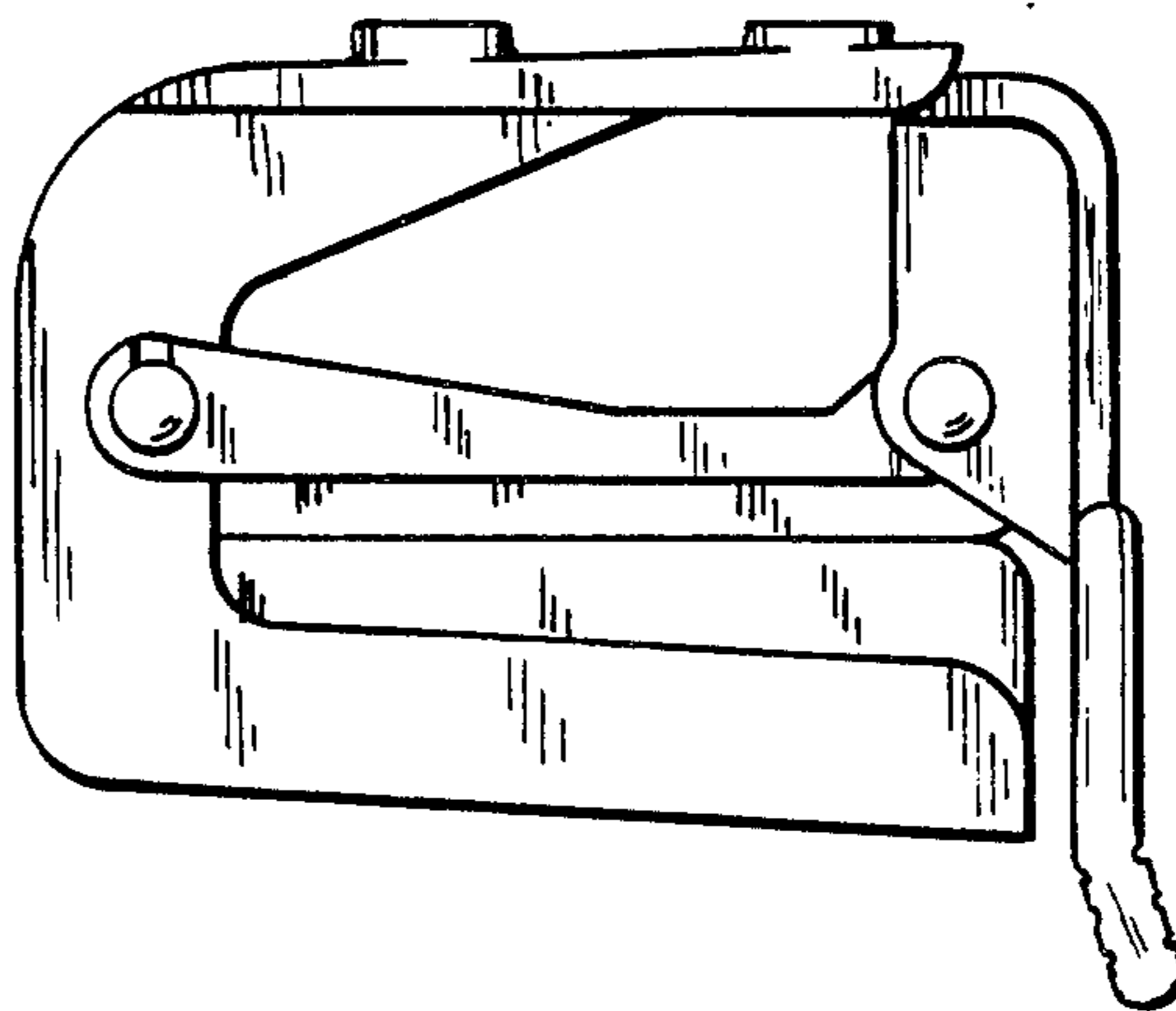
Fig_1



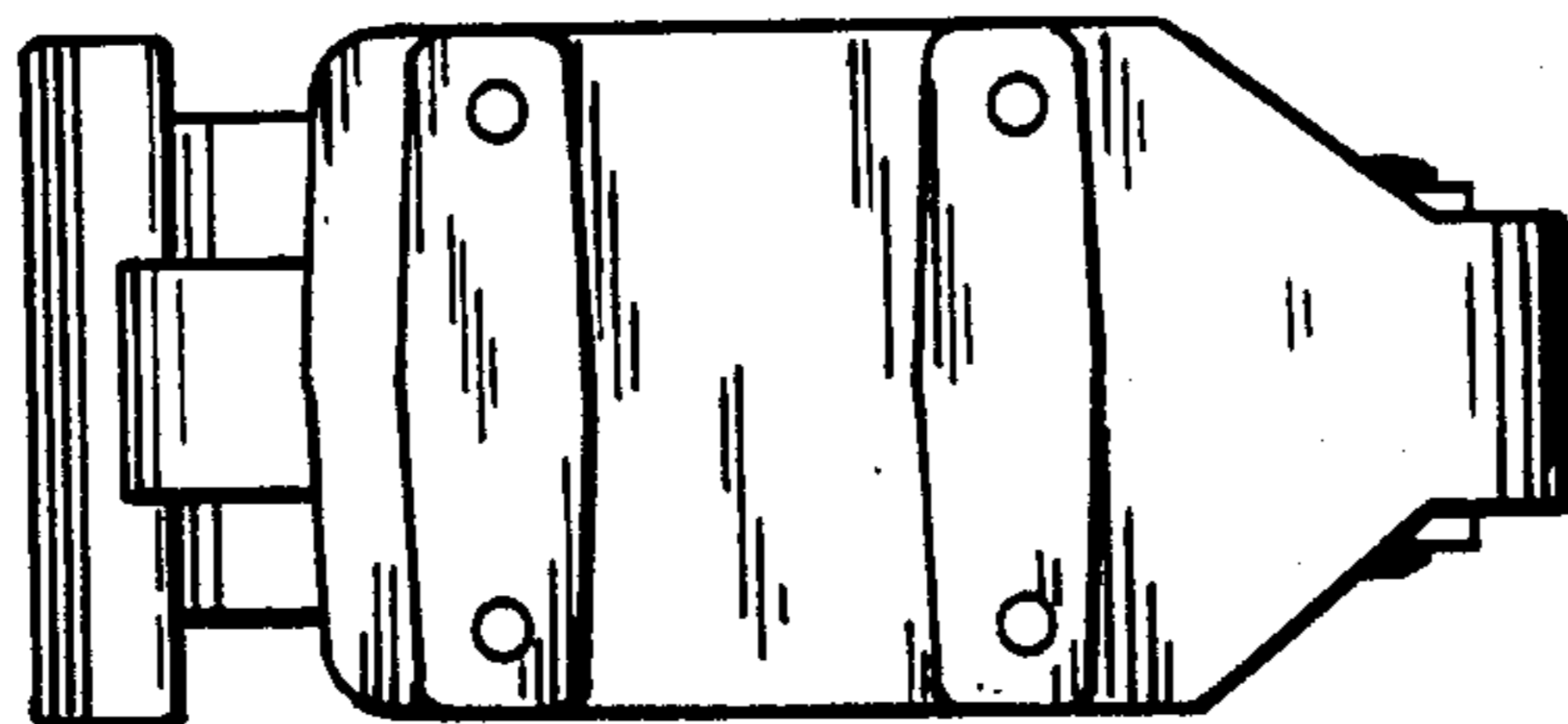
Fig_2



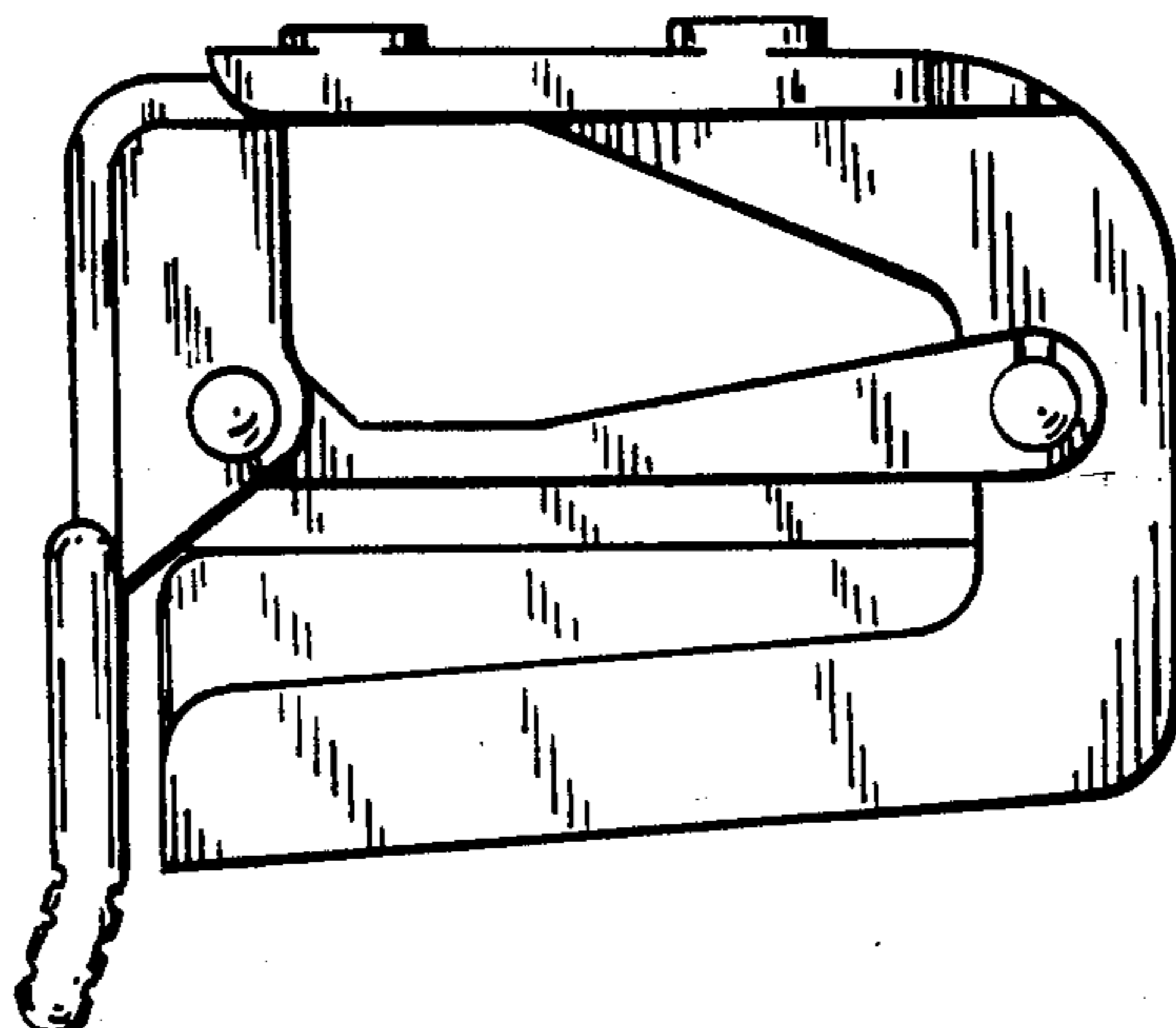
Fig_3



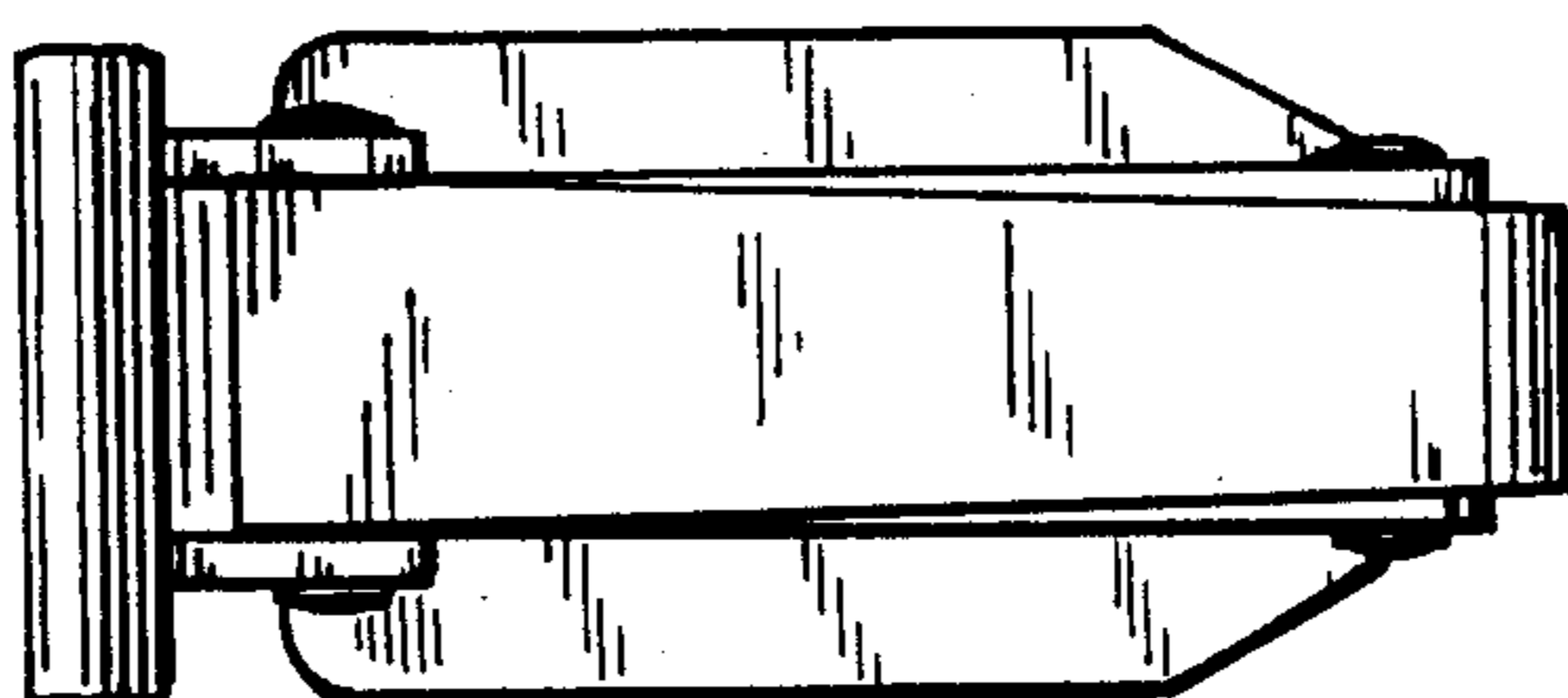
Fig_4



Fig_5



Fig_6



Fig_7