

# United States Patent [19]

Nelson

[11] Patent Number: Des. 294,450

[45] Date of Patent: \*\* Mar. 1, 1988

[54] ELECTRICAL CORD REEL

[75] Inventor: Terry N. Nelson, Shoreview, Minn.

[73] Assignee: Specialty Manufacturing Company,  
St. Paul, Minn.

[\*\*] Term: 14 Years

[21] Appl. No.: 689,234

[22] Filed: Jan. 7, 1985

[52] U.S. Cl. .... D8/359

[58] Field of Search ..... D8/358, 359; D34/24;  
D22/137; 242/86, 86.2, 86.5 R, 96, 100;  
137/355.22, 355.26, 355.27, 355.16

[56] References Cited

## U.S. PATENT DOCUMENTS

D. 196,128	8/1963	Wilson	.....	D8/359
D. 211,531	6/1968	Elmslie	.....	D8/359
D. 240,192	6/1976	Balmer, Jr.	.....	D8/358
D. 243,746	3/1977	Youngblood	.....	D8/359

D. 251,656	4/1979	McClure	.....	D8/359
2,267,845	12/1941	Stephens	.....	242/96
3,330,498	7/1967	Rucky	.....	242/86
3,844,058	10/1974	King	.....	242/106
3,937,415	2/1976	Prinz	.....	242/106
4,251,038	2/1981	Gename	.....	D8/359

Primary Examiner—James M. Gandy  
Assistant Examiner—Horace B. Fay, Jr.  
Attorney, Agent, or Firm—Dorsey & Whitney

[57] CLAIM

The ornamental design for electrical cord reel, as shown and described.

## DESCRIPTION

FIGS. 1 and 2 are respectively left and right side elevational views of an electrical cord reel, showing my new design;

FIGS. 3 and 4 are respectively front and rear elevational views thereof; and,

FIGS. 5 and 6 are respectively top and bottom plan views thereof.

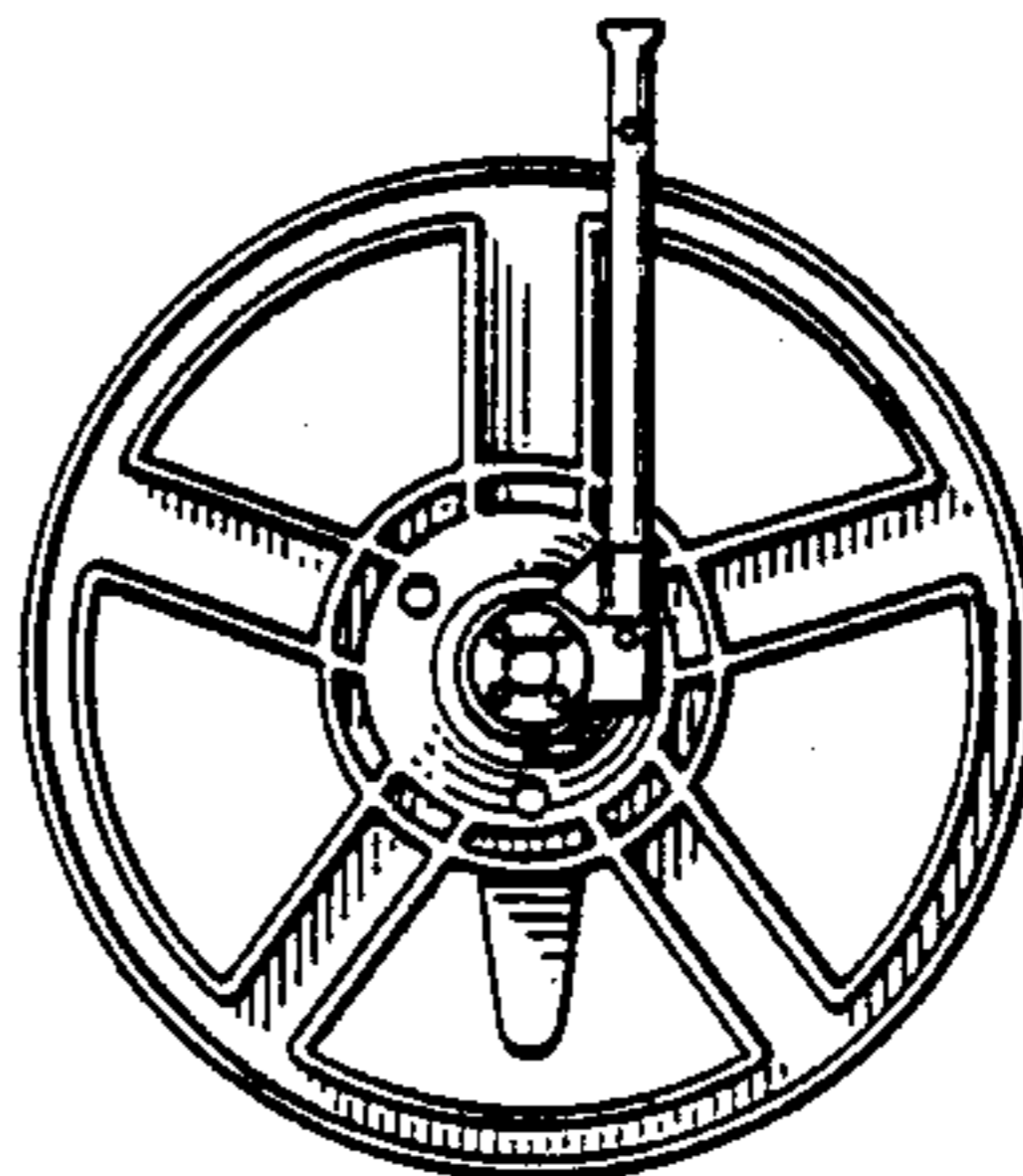
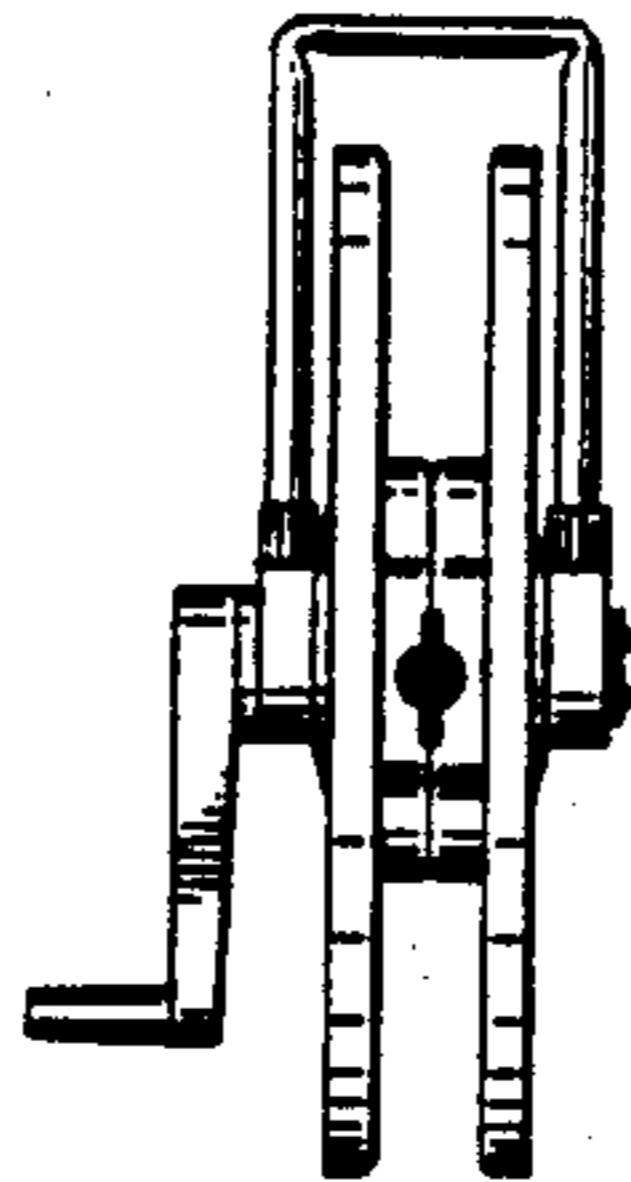


Fig. 1

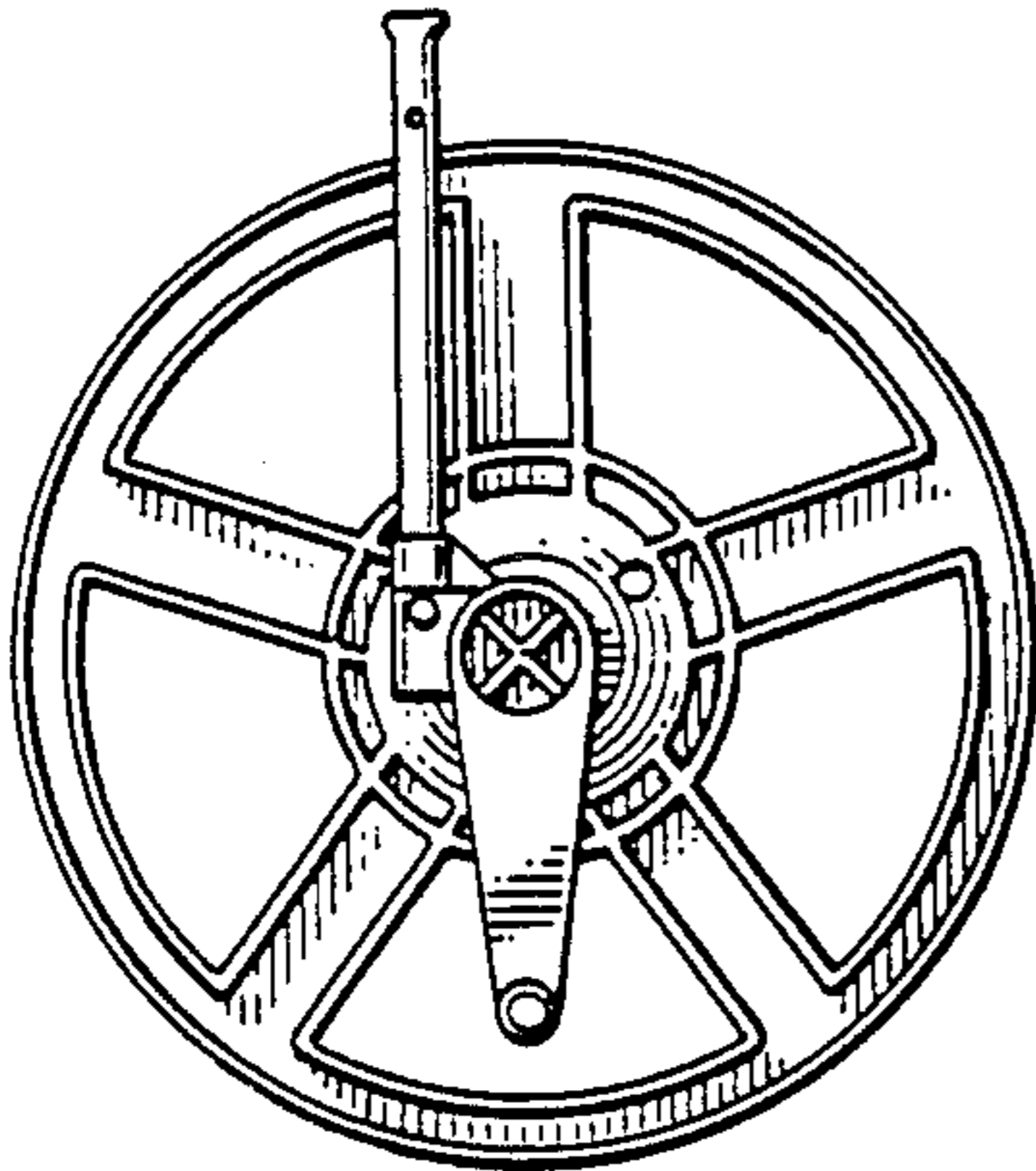


Fig. 2

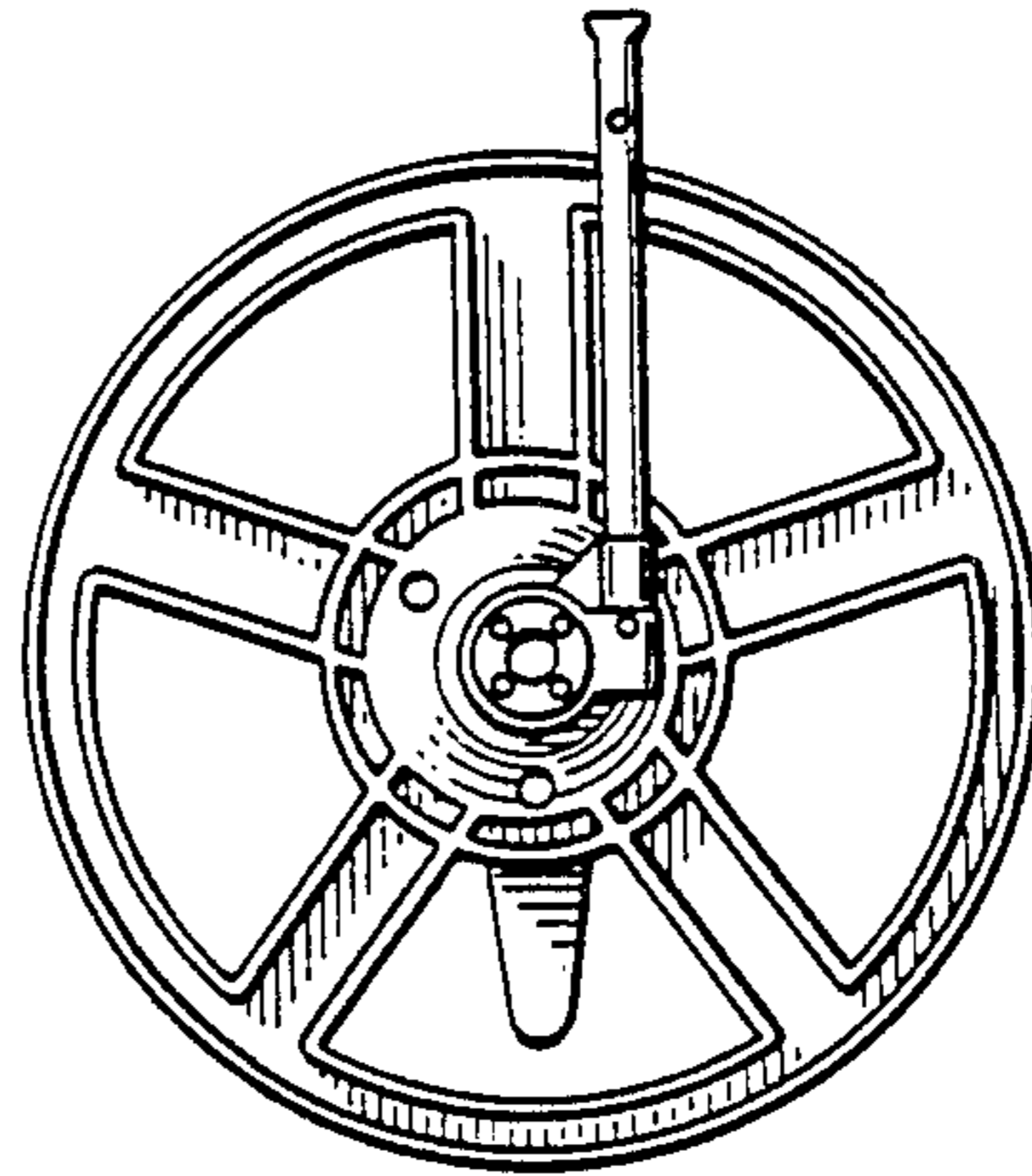


Fig. 3

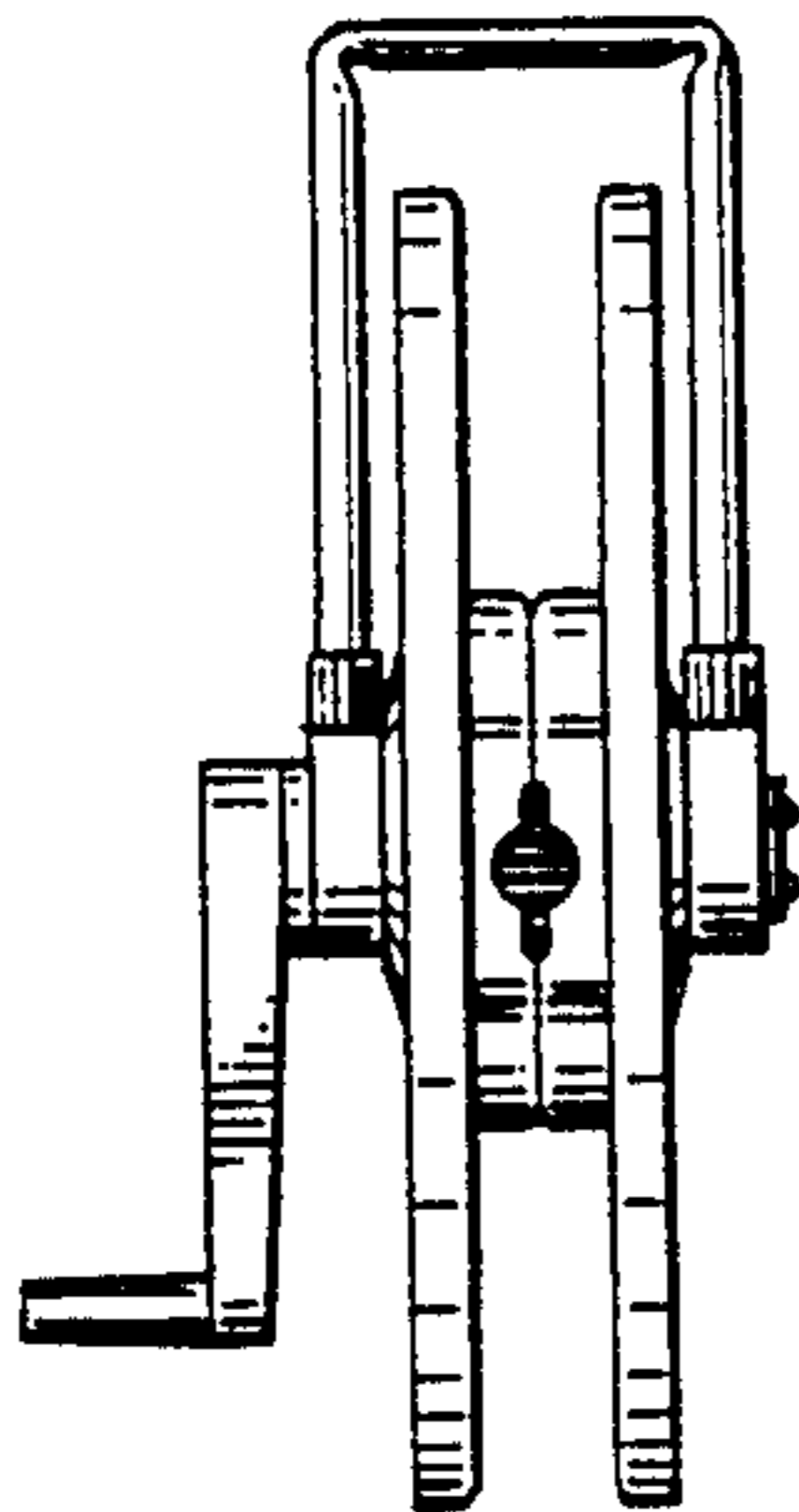


Fig. 4

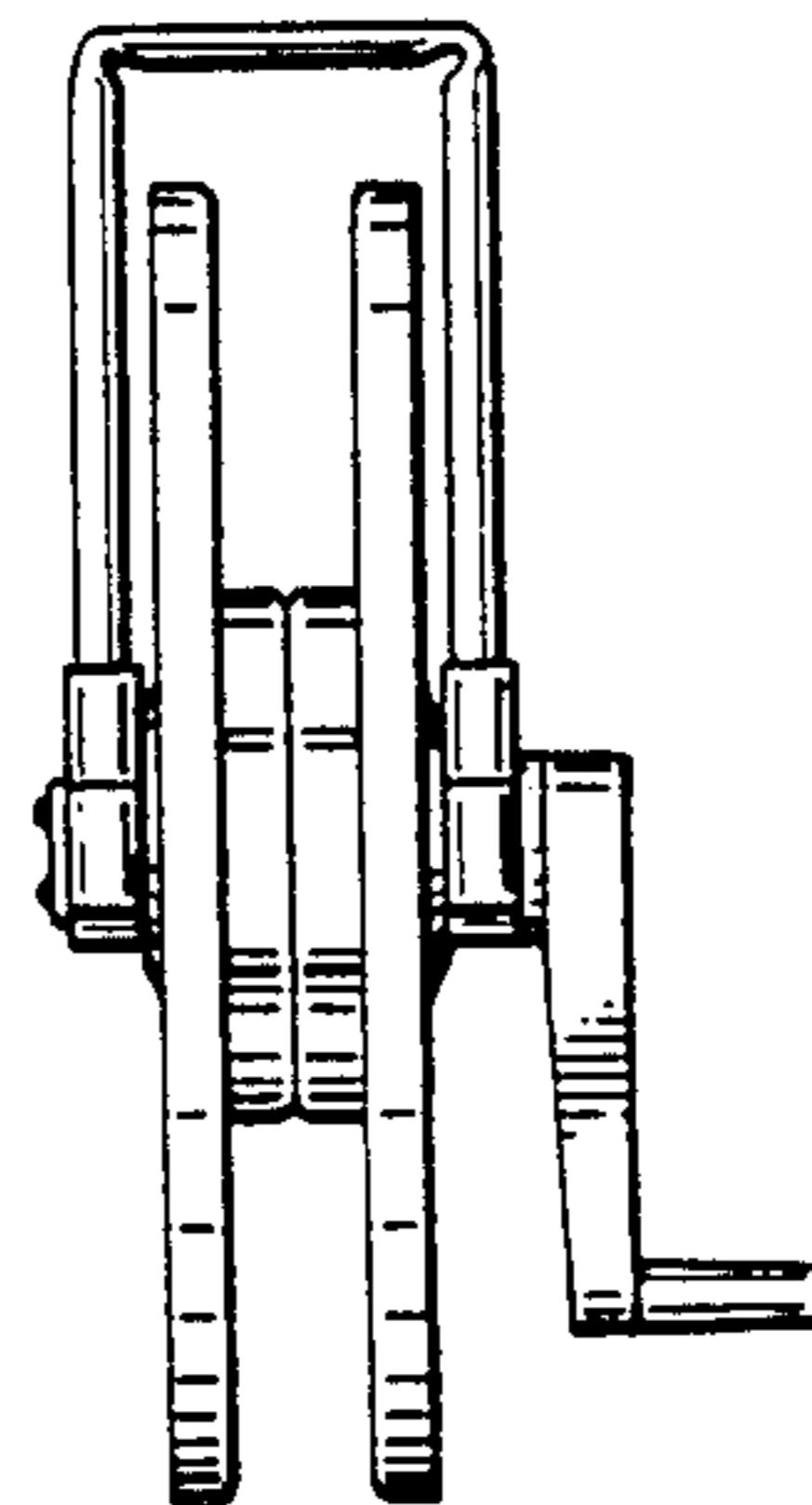


Fig. 5

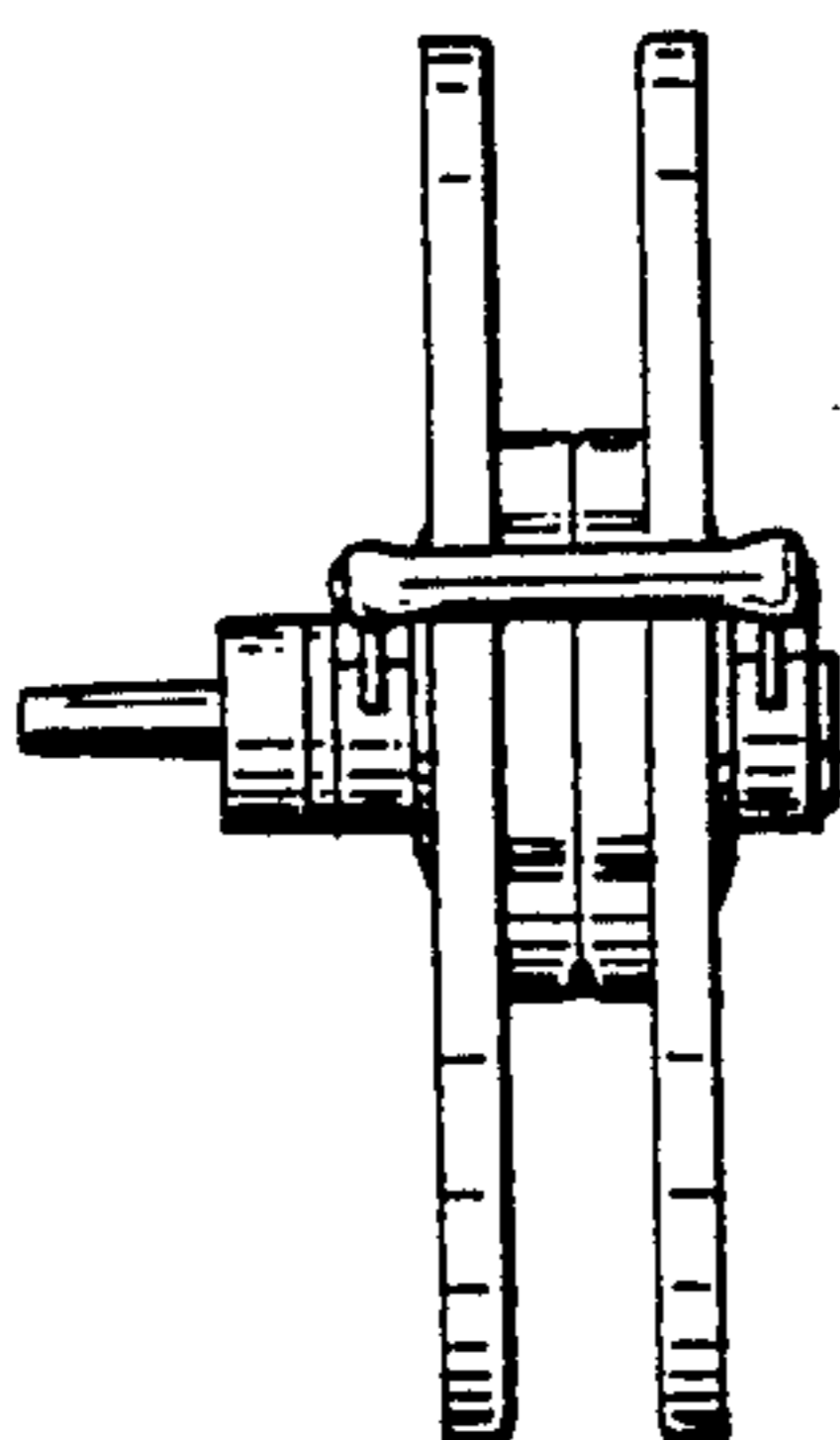


Fig. 6

