

[54] PORTABLE HOT POT

D. 166,527 4/1952 Byrd D7/317
D. 187,612 4/1960 Wistrand D7/317

[75] Inventor: John Kao, Taipei, Taiwan

Primary Examiner—Winifred E. Herrmann
Attorney, Agent, or Firm—Ezra Sutton

[73] Assignee: Sutton Import-Export Corp., New York, N.Y.

[57] CLAIM

[**] Term: 14 Years

The ornamental design for a portable hot pot, substantially as shown and described.

[21] Appl. No.: 753,435

DESCRIPTION

[22] Filed: Jul. 10, 1985

[52] U.S. Cl. D7/317; D7/312; D7/319

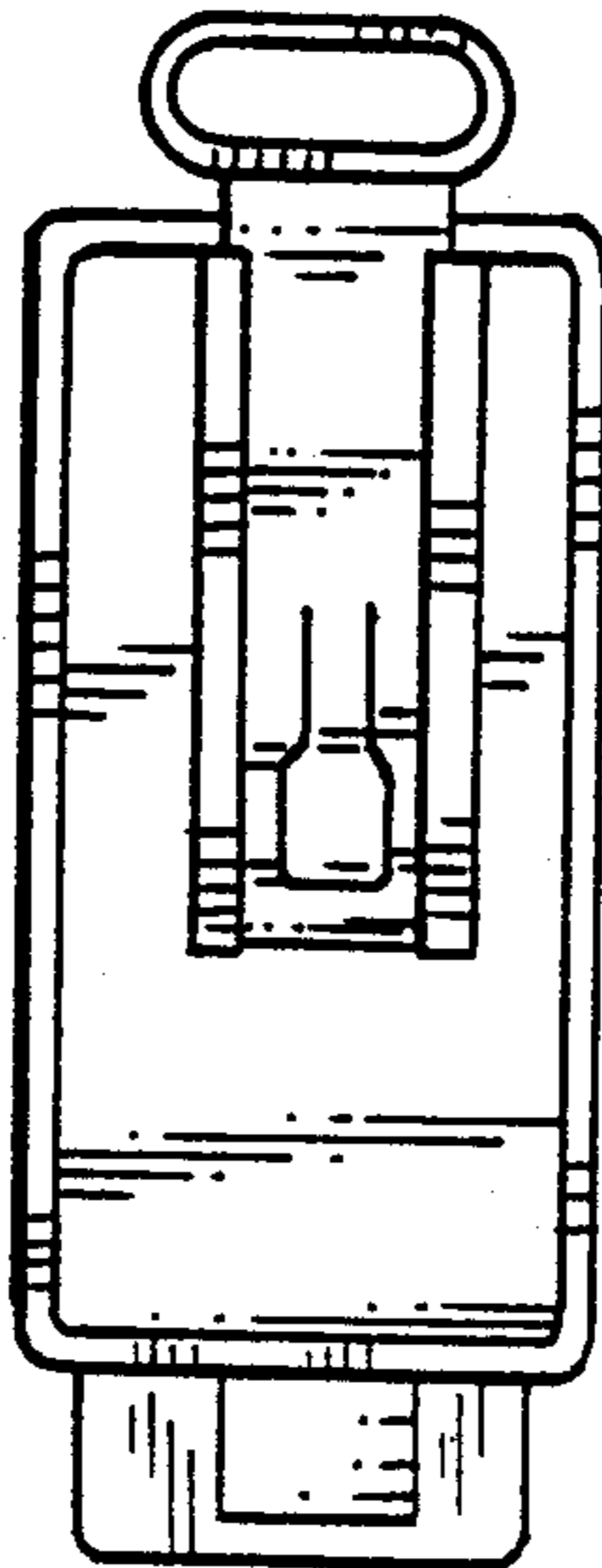
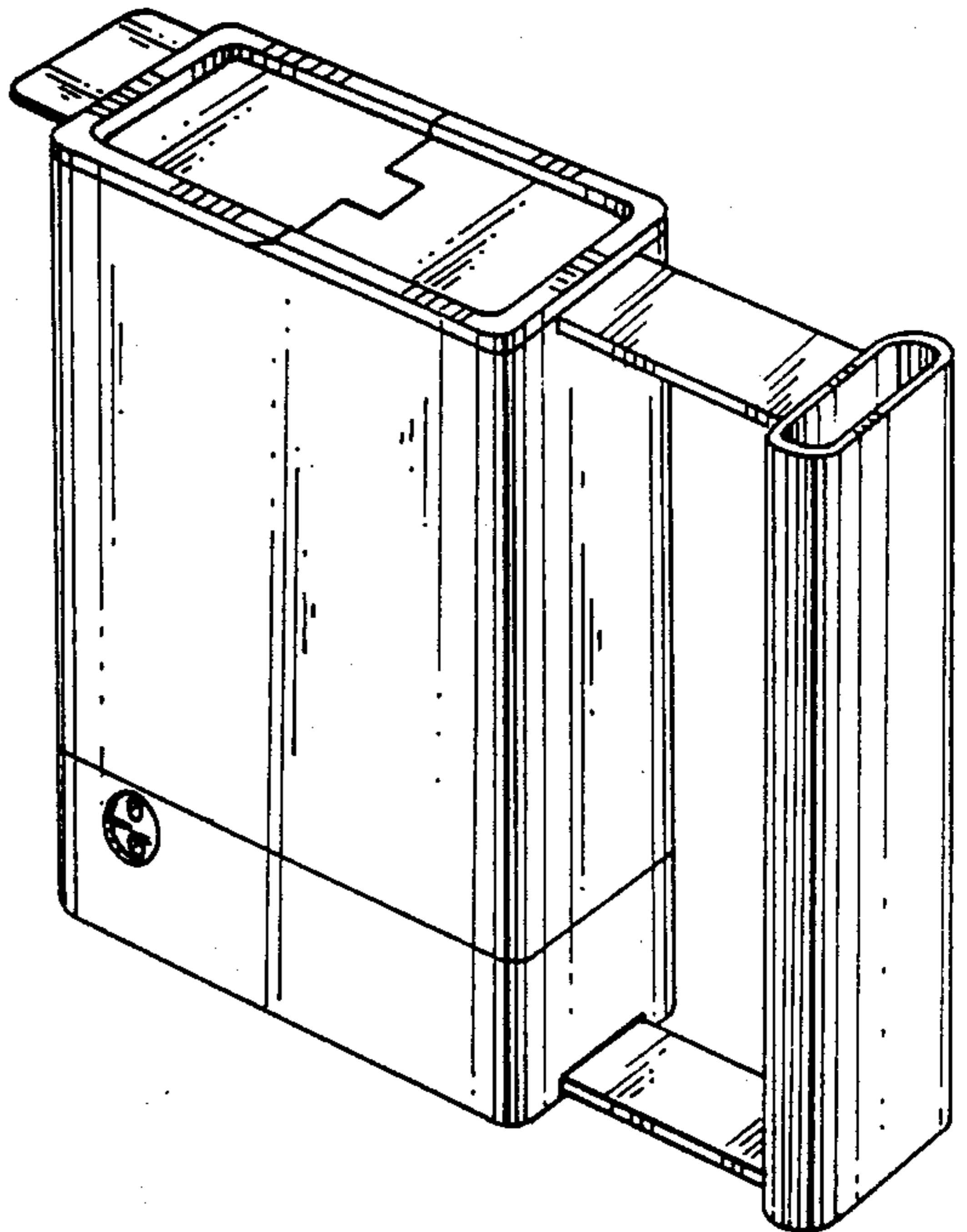
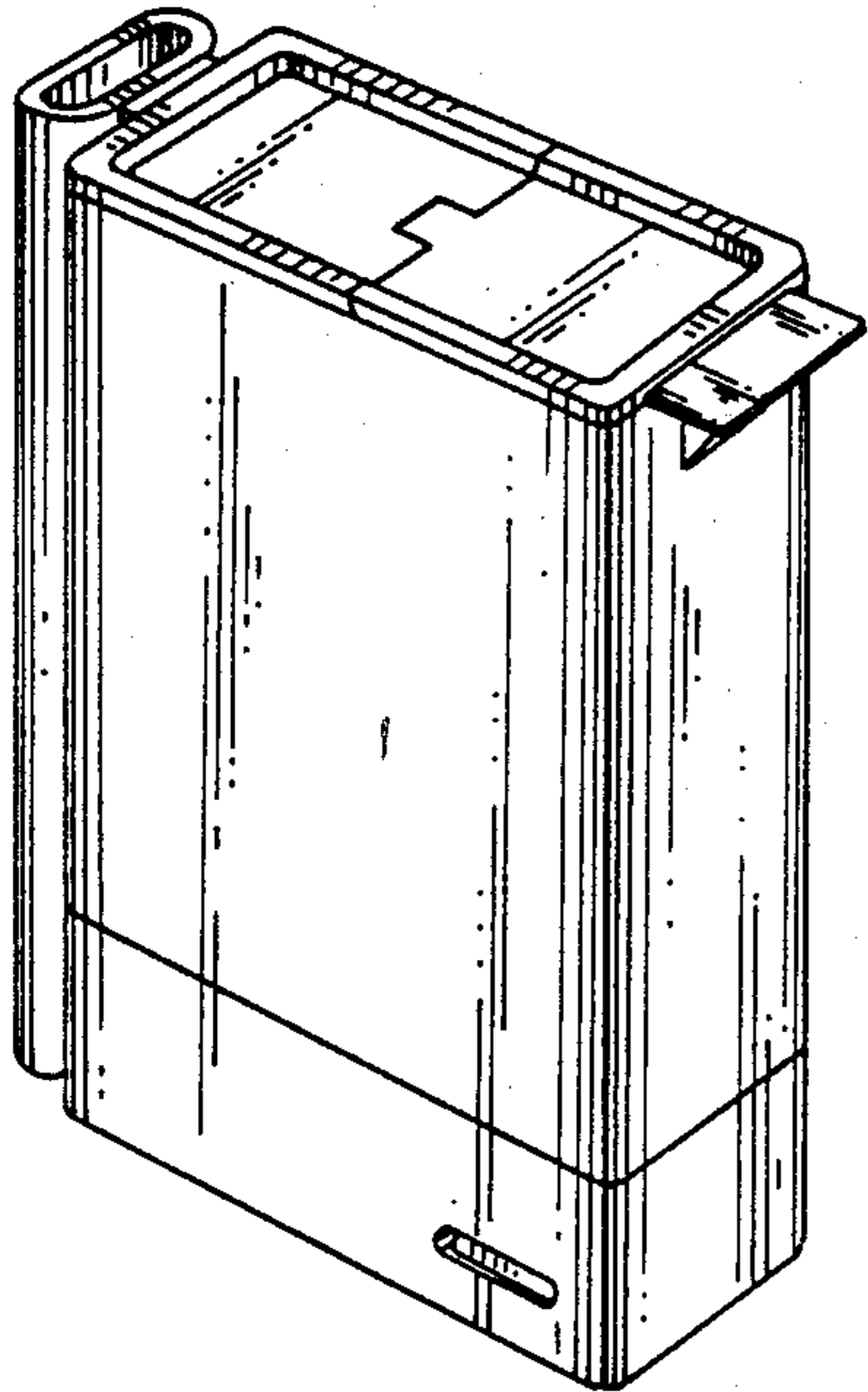
[58] Field of Search D7/300, 312, 317, 316, D7/319, 318, 320, 321, 310, 314, 77

FIG. 1 is a top, front and left side perspective view of a portable hot pot, showing my new design;
FIG. 2 is a left-side elevational view thereof;
FIG. 3 is a right-side elevational view thereof;
FIG. 4 is a bottom plan view thereof;
FIG. 5 is a top plan view thereof;
FIG. 6 is a rear elevational view thereof;
FIG. 7 is a front elevational view thereof; and,
FIG. 8 is a top, rear and right side perspective view thereof with the handle extended.

[56] References Cited

U.S. PATENT DOCUMENTS

D. 115,531 7/1939 Stopa D7/321
D. 164,892 10/1951 Baker D7/317 X



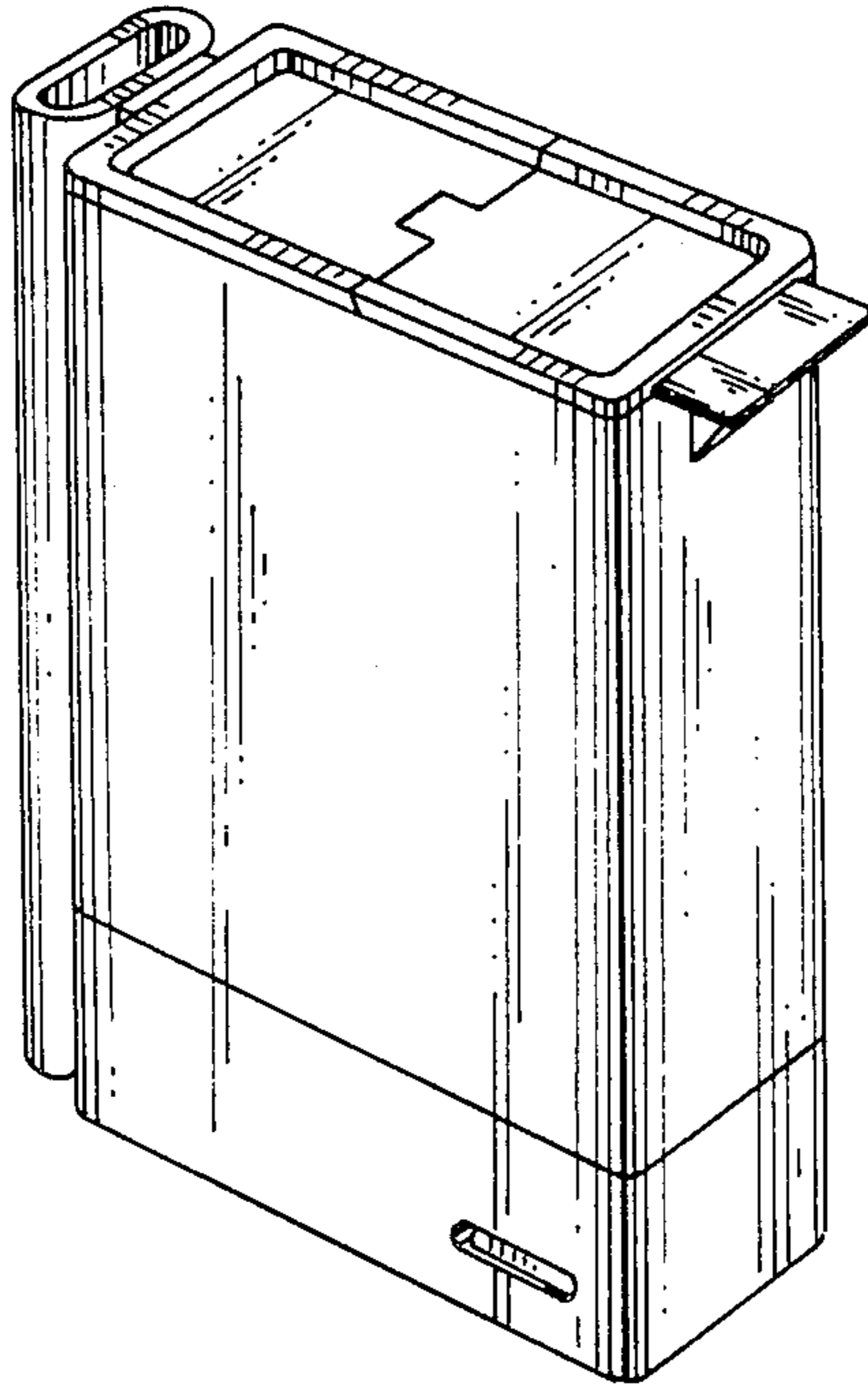


FIG. 1

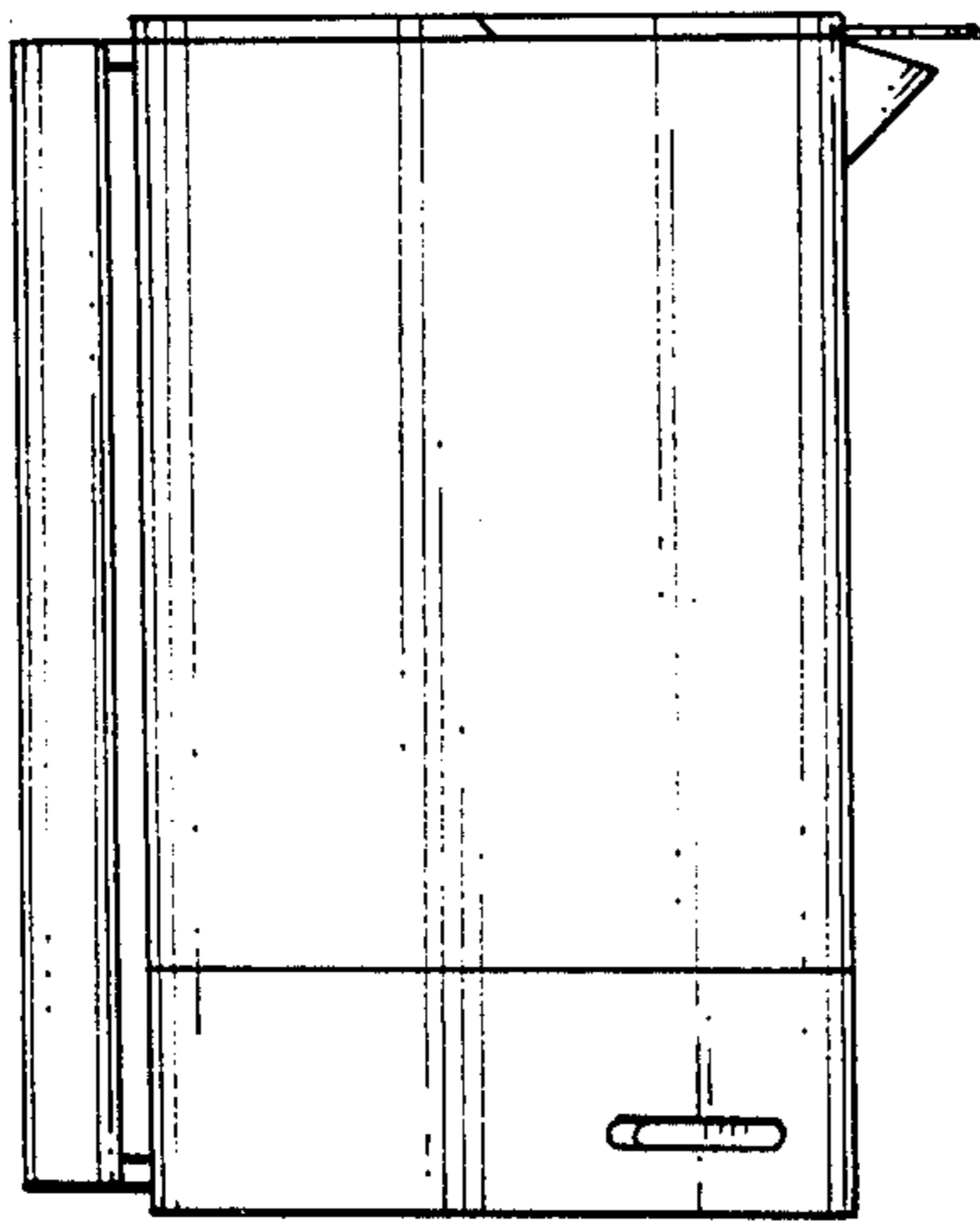


FIG. 2

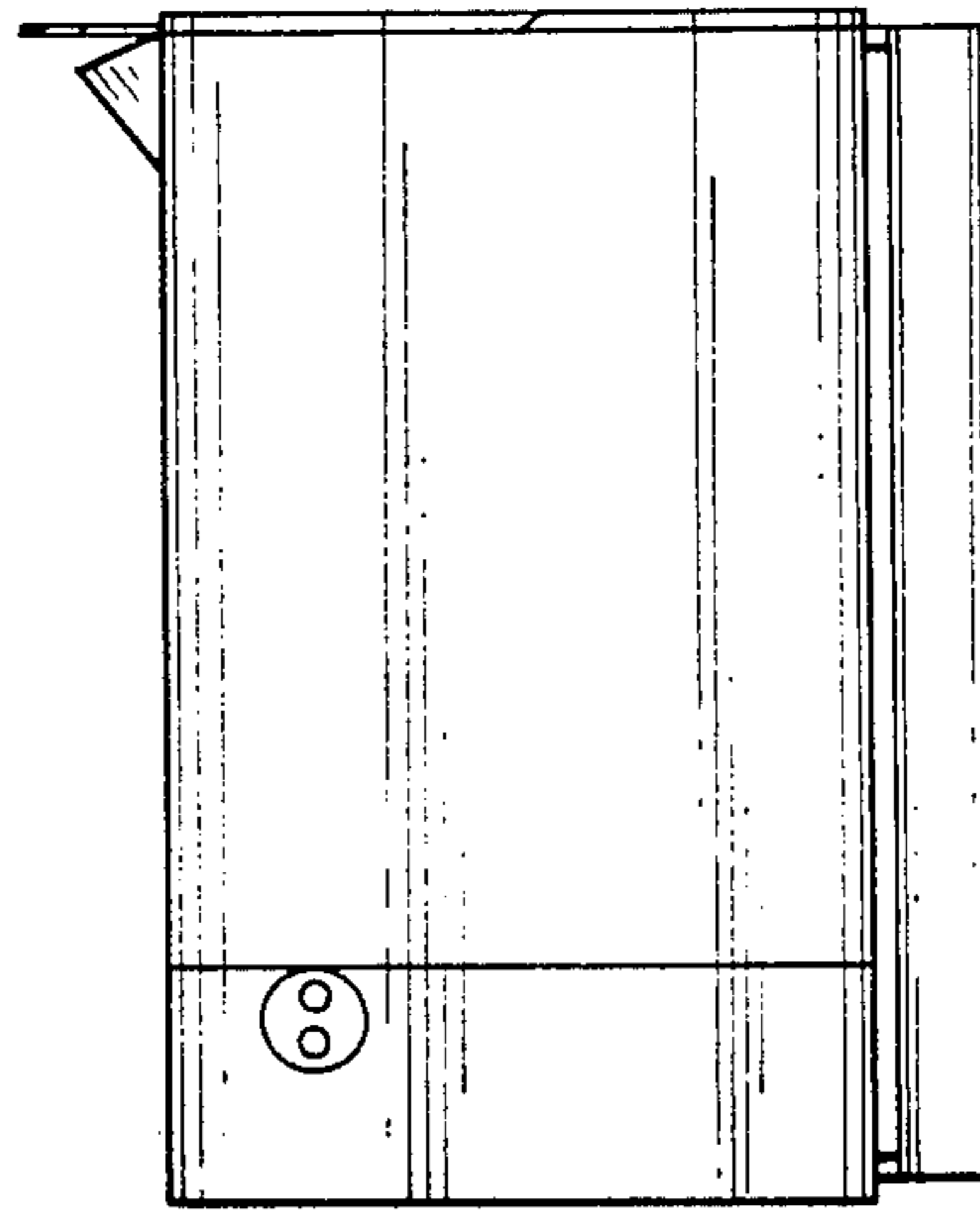


FIG. 3

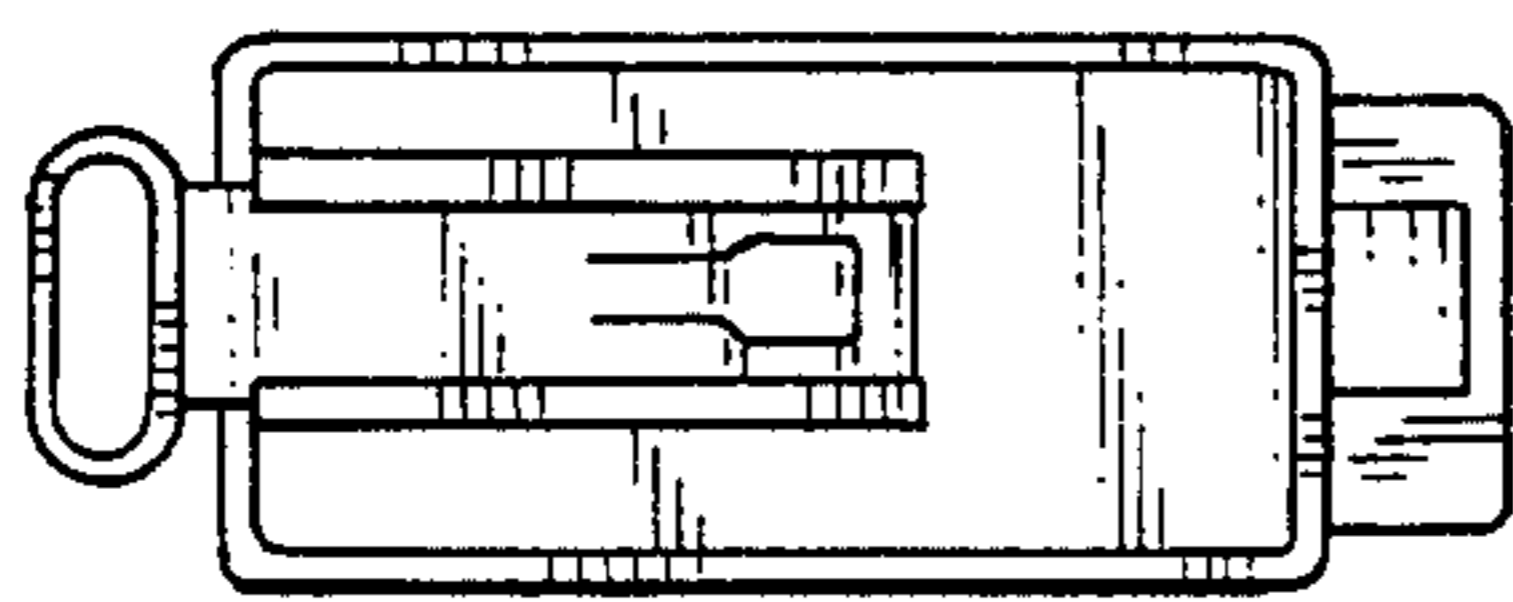


FIG. 4

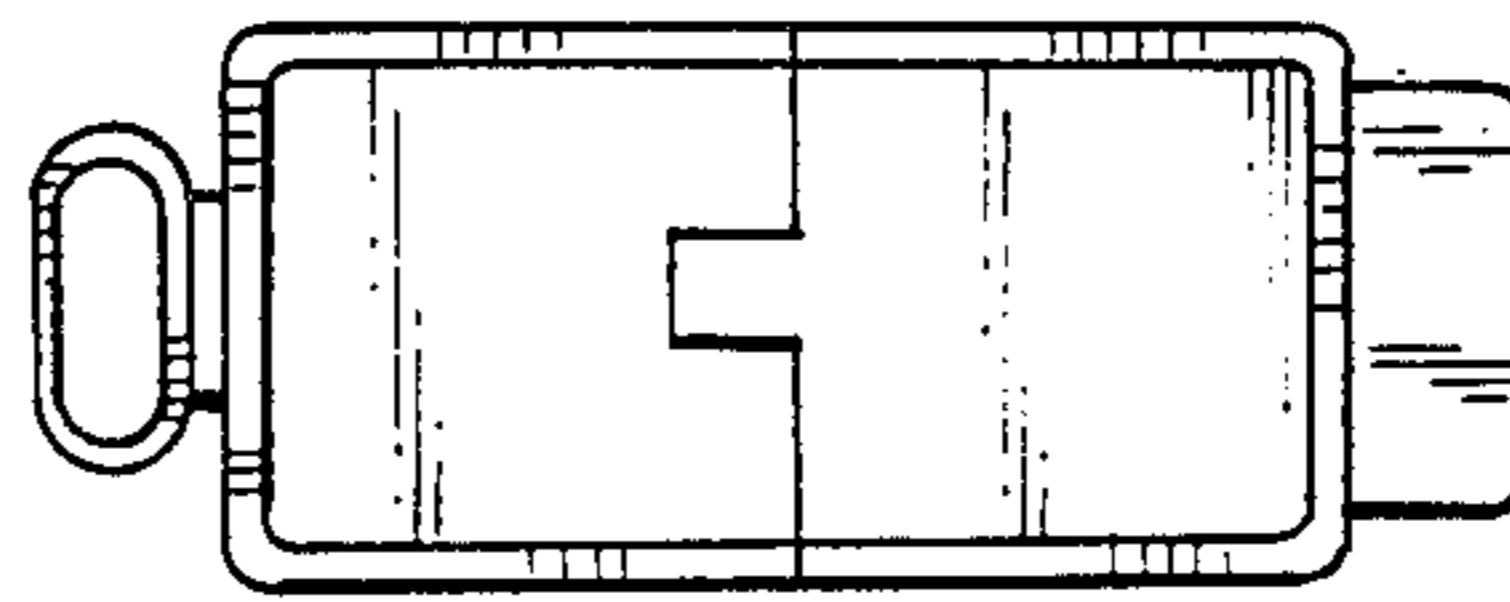


FIG. 5

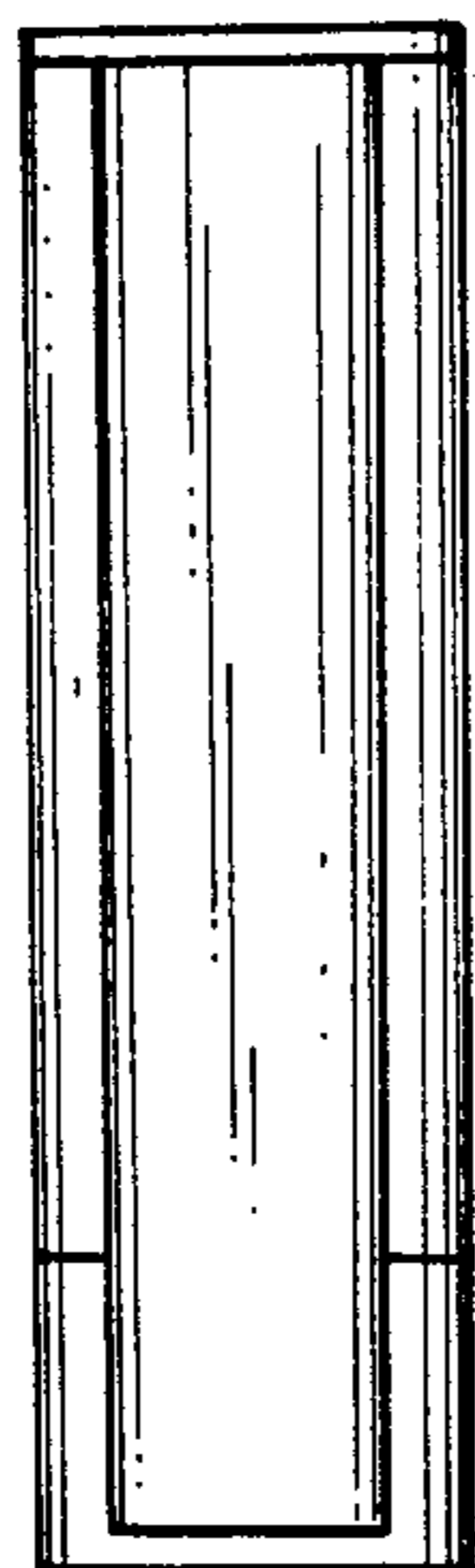


FIG. 6

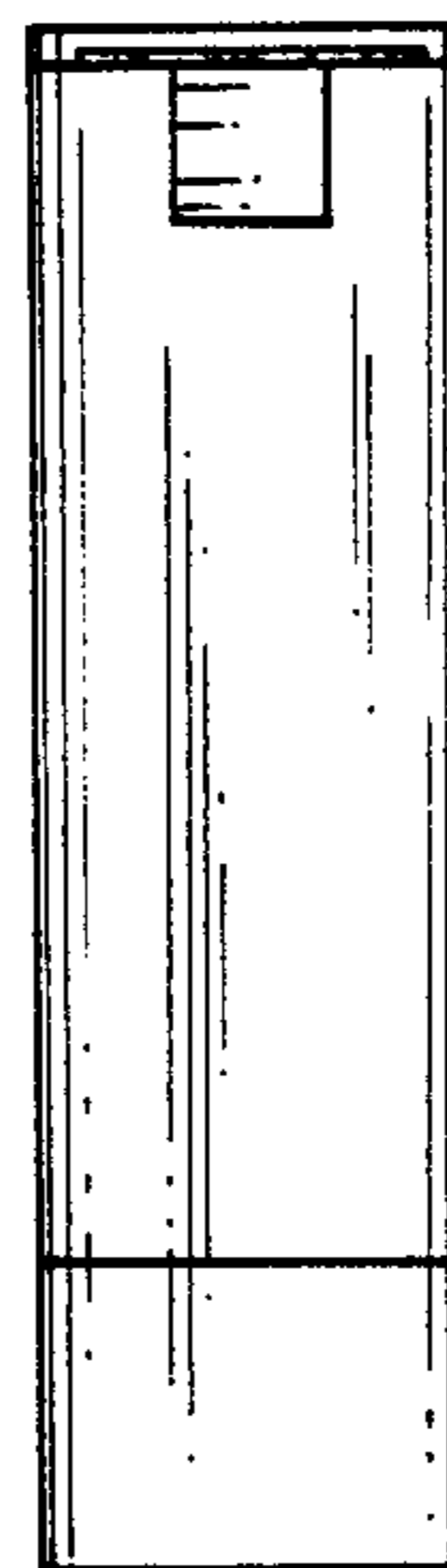


FIG. 7

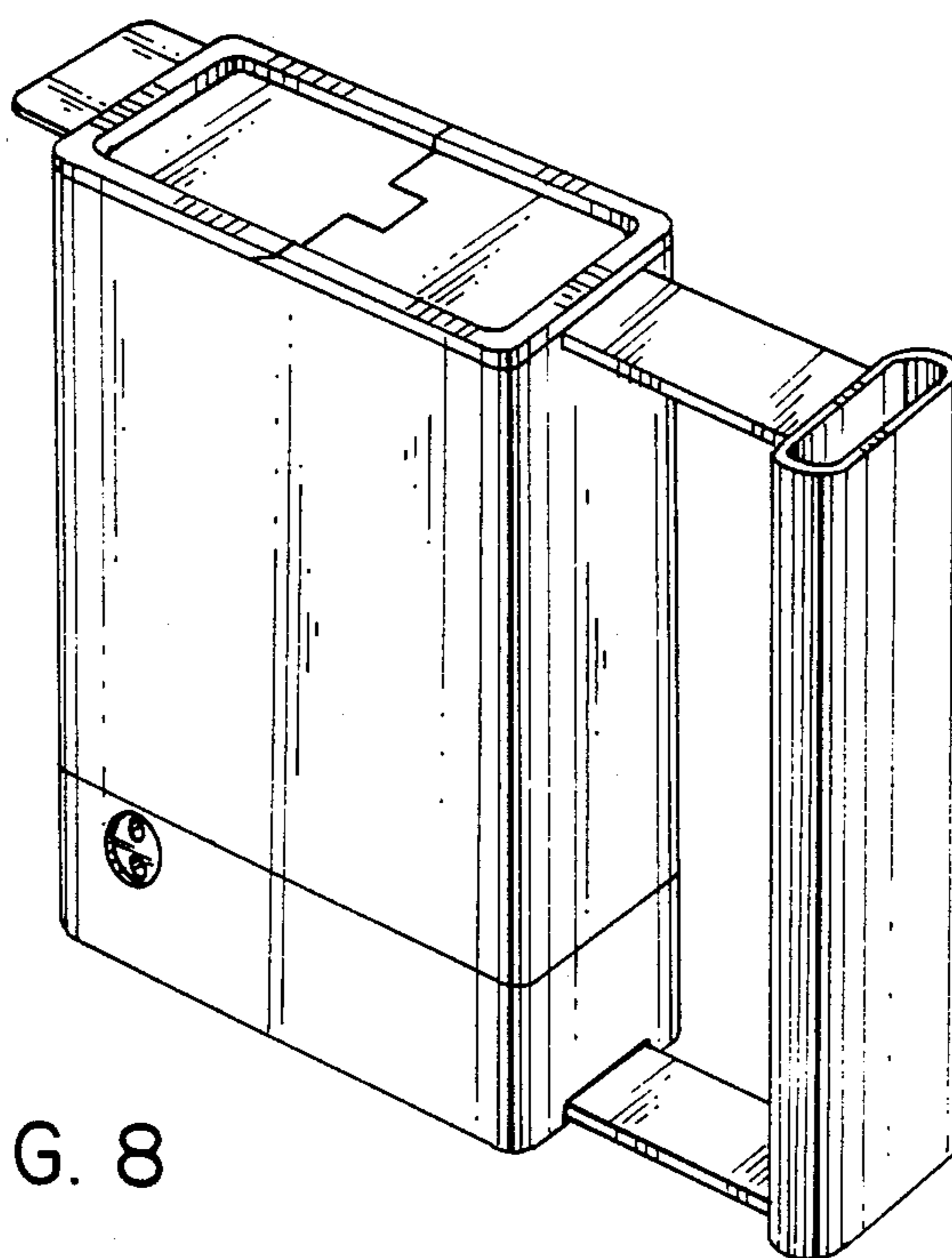


FIG. 8