

United States Patent [19]

Tardif

[11] **Patent Number: Des. 294,444**

[45] **Date of Patent: ** Mar. 1, 1988**

[54] **ICE BUCKET**

[75] **Inventor: Pierre Tardif, Vieux Montreal, Canada**

[73] **Assignee: Genin-Trudeau & Cie Limited, Boucherville, Canada**

[**] **Term: 14 Years**

[21] **Appl. No.: 706,956**

[22] **Filed: Feb. 28, 1985**

[30] **Foreign Application Priority Data**

Oct. 31, 1984 [CA] Canada 31-10-84-6
[52] **U.S. Cl. D7/78**
[58] **Field of Search D7/76-81;**
62/457, 371, 529; D9/424, 425, 379; 220/902

[56] **References Cited**

U.S. PATENT DOCUMENTS

D. 164,328 8/1951 Roop D7/78
D. 272,795 2/1984 Pozzi D7/78

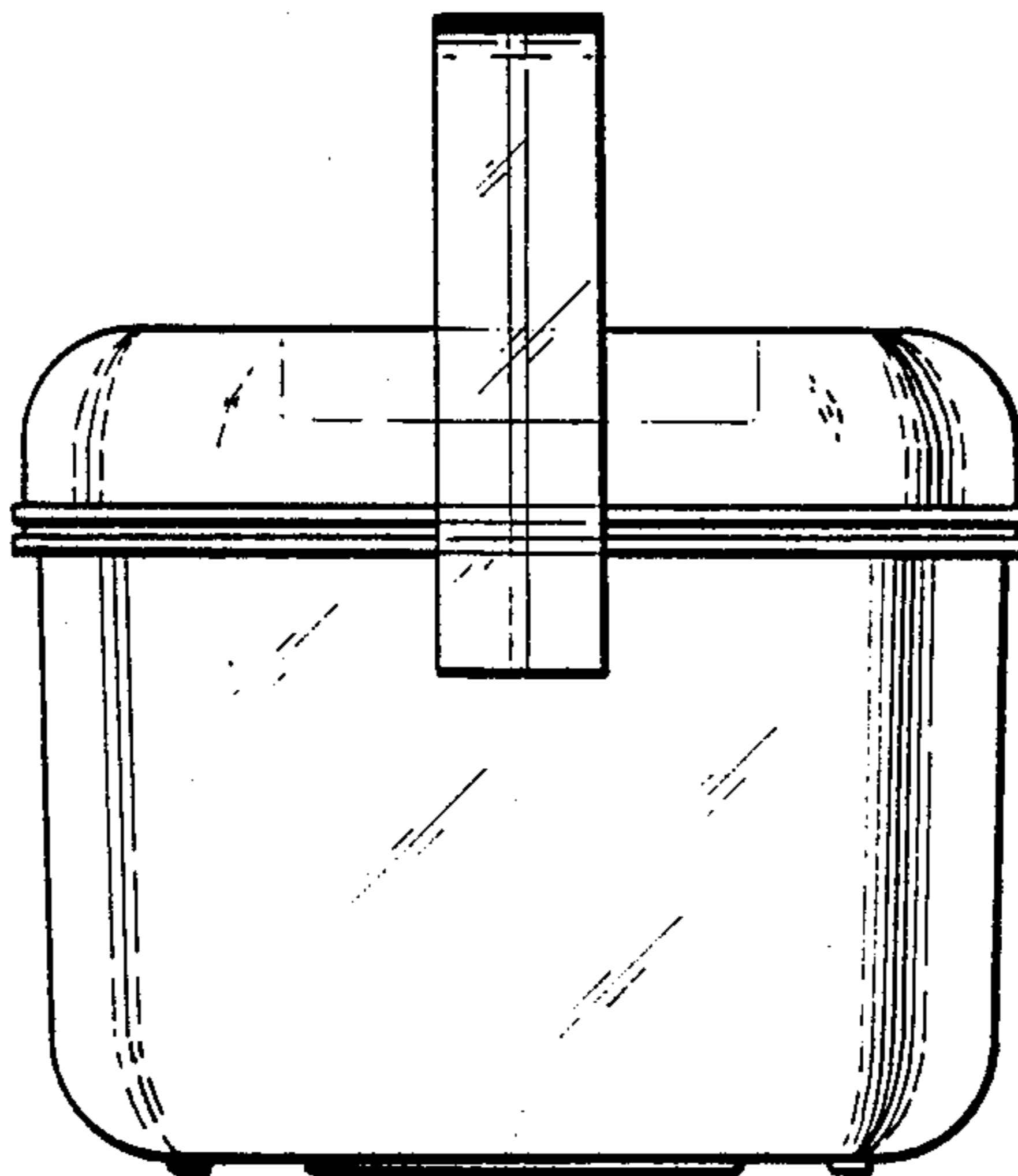
Primary Examiner—Bernard Ansher
Assistant Examiner—Terry Pfeffer
Attorney, Agent, or Firm—Robic, Robic & Associates

[57] **CLAIM**

The ornamental design for a ice bucket, substantially as shown and described.

DESCRIPTION

FIG. 1 is a right side elevational view of an ice bucket showing my new design, the opposite side being a mirror image;
FIG. 2 is a front elevational view thereof, the opposite side being a mirror image;
FIG. 3 is a top plan view thereof; and
FIG. 4 is a bottom view thereof.



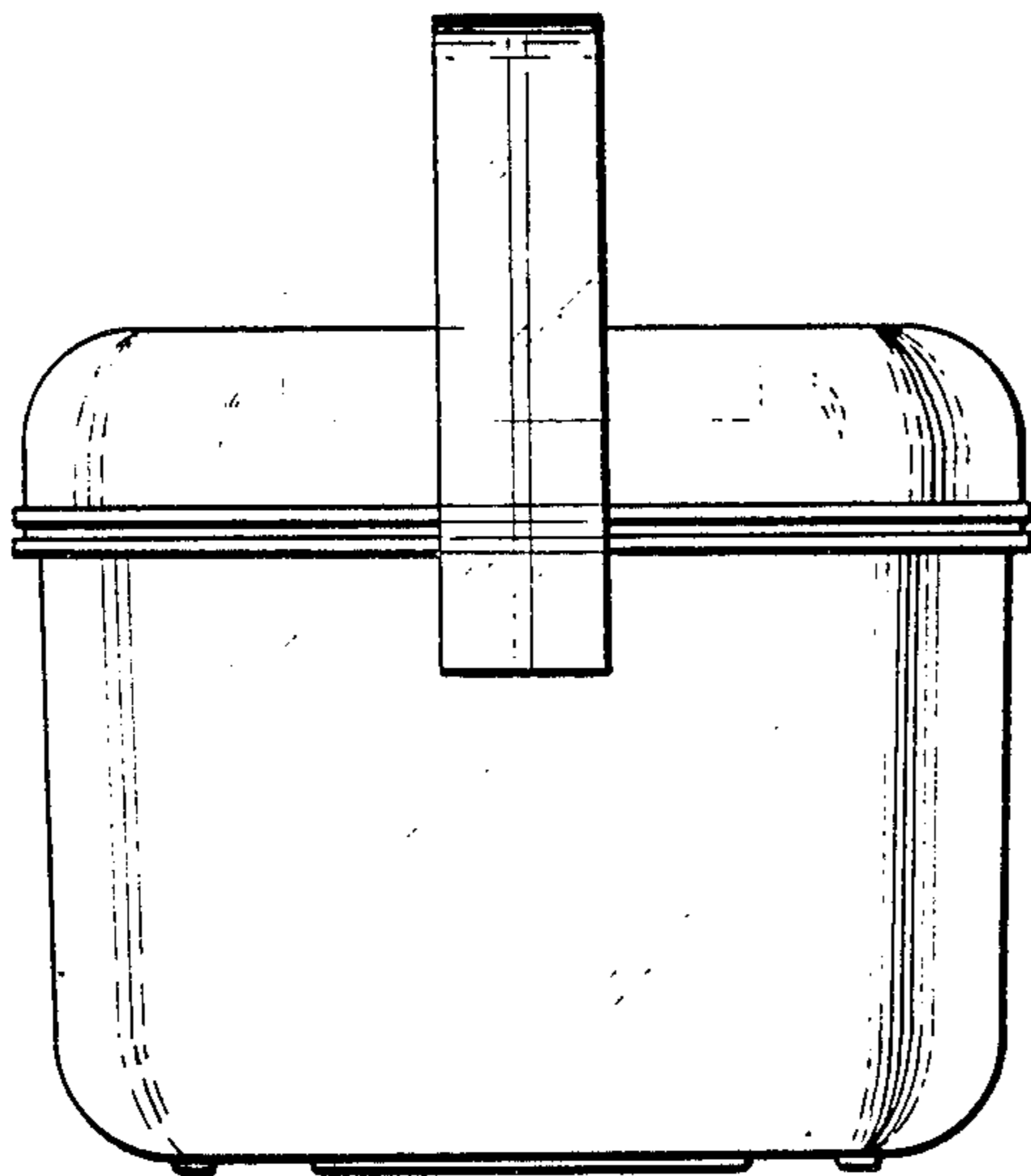


FIG. 1

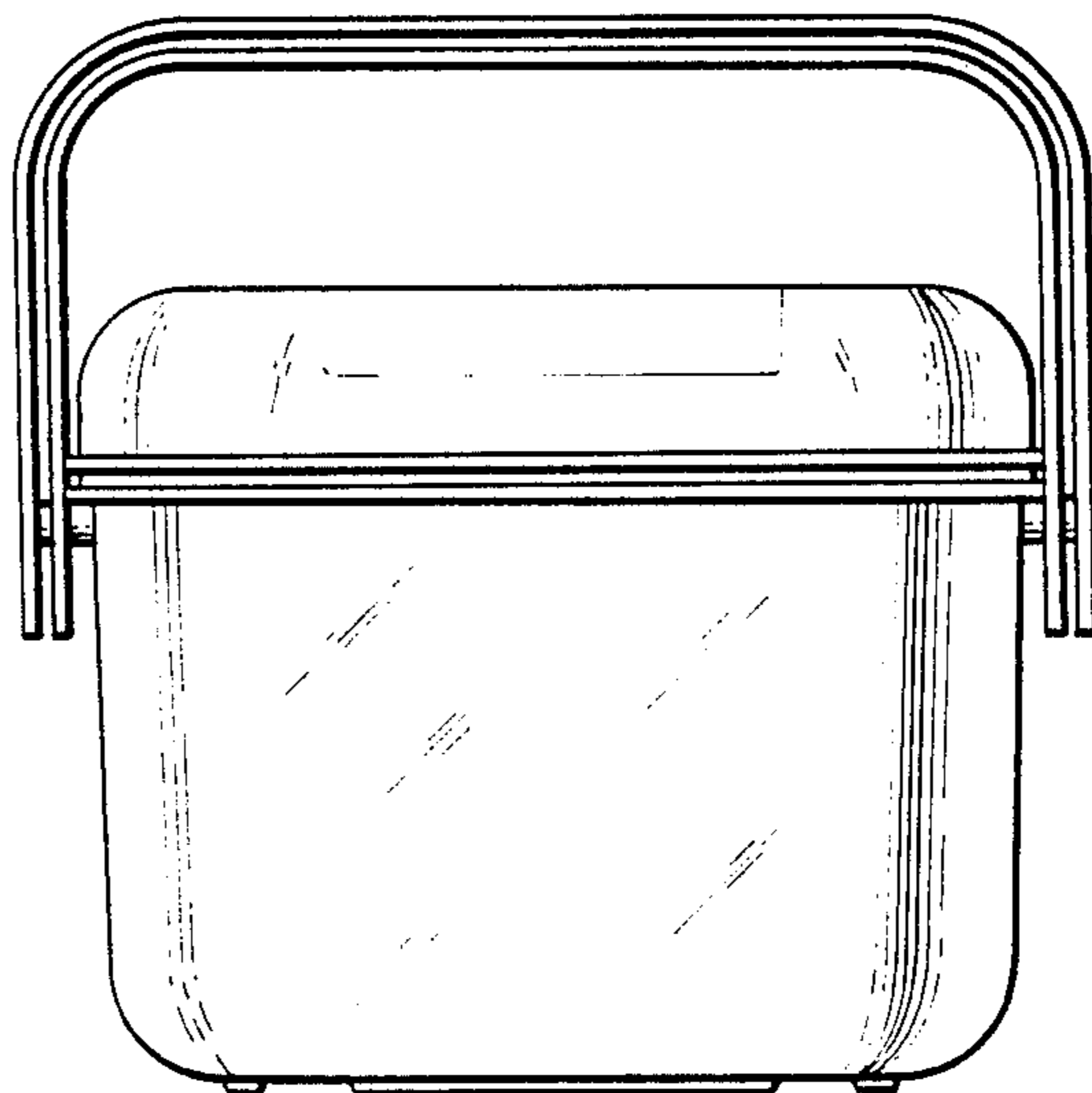


FIG. 2

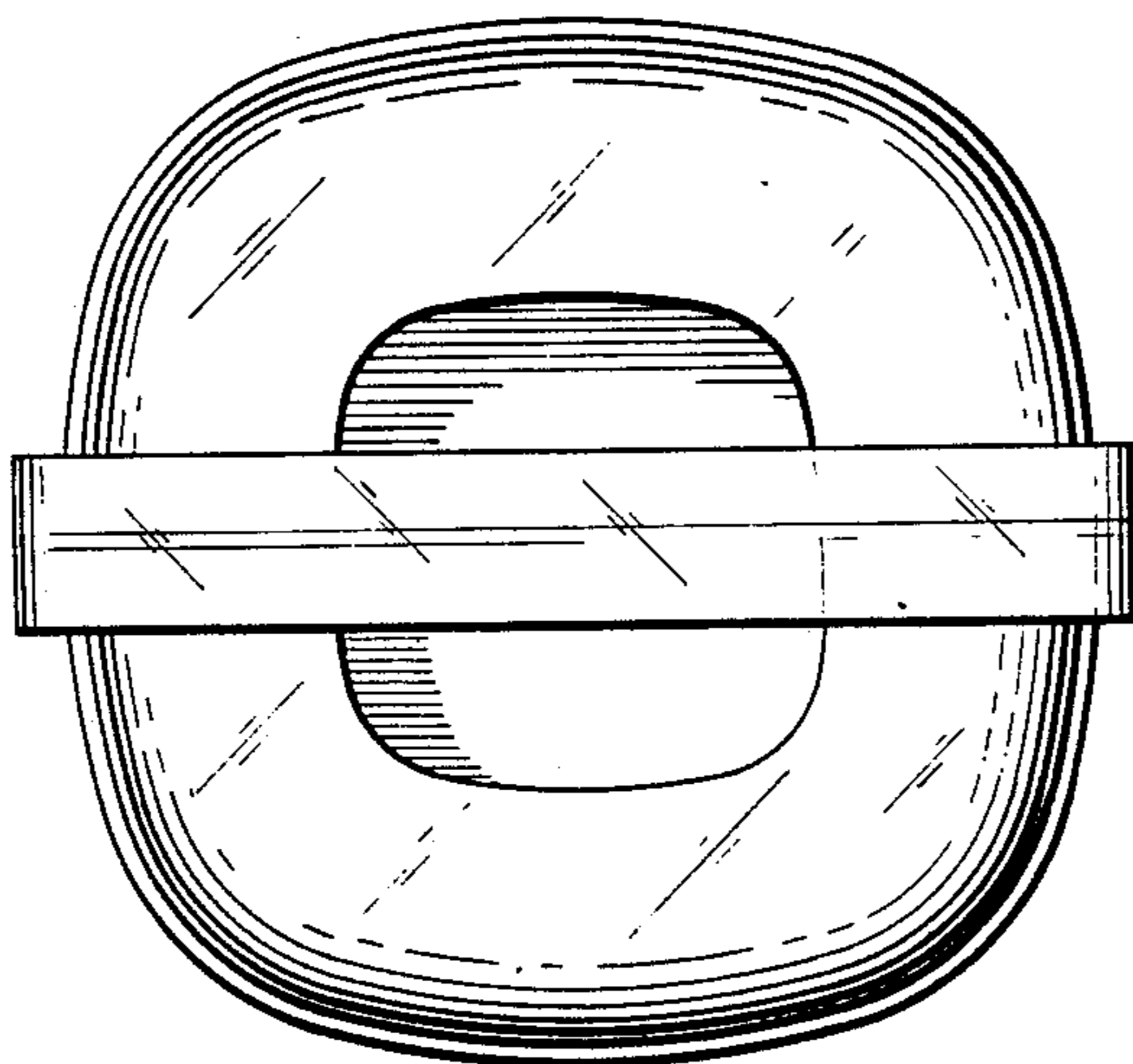


FIG. 3

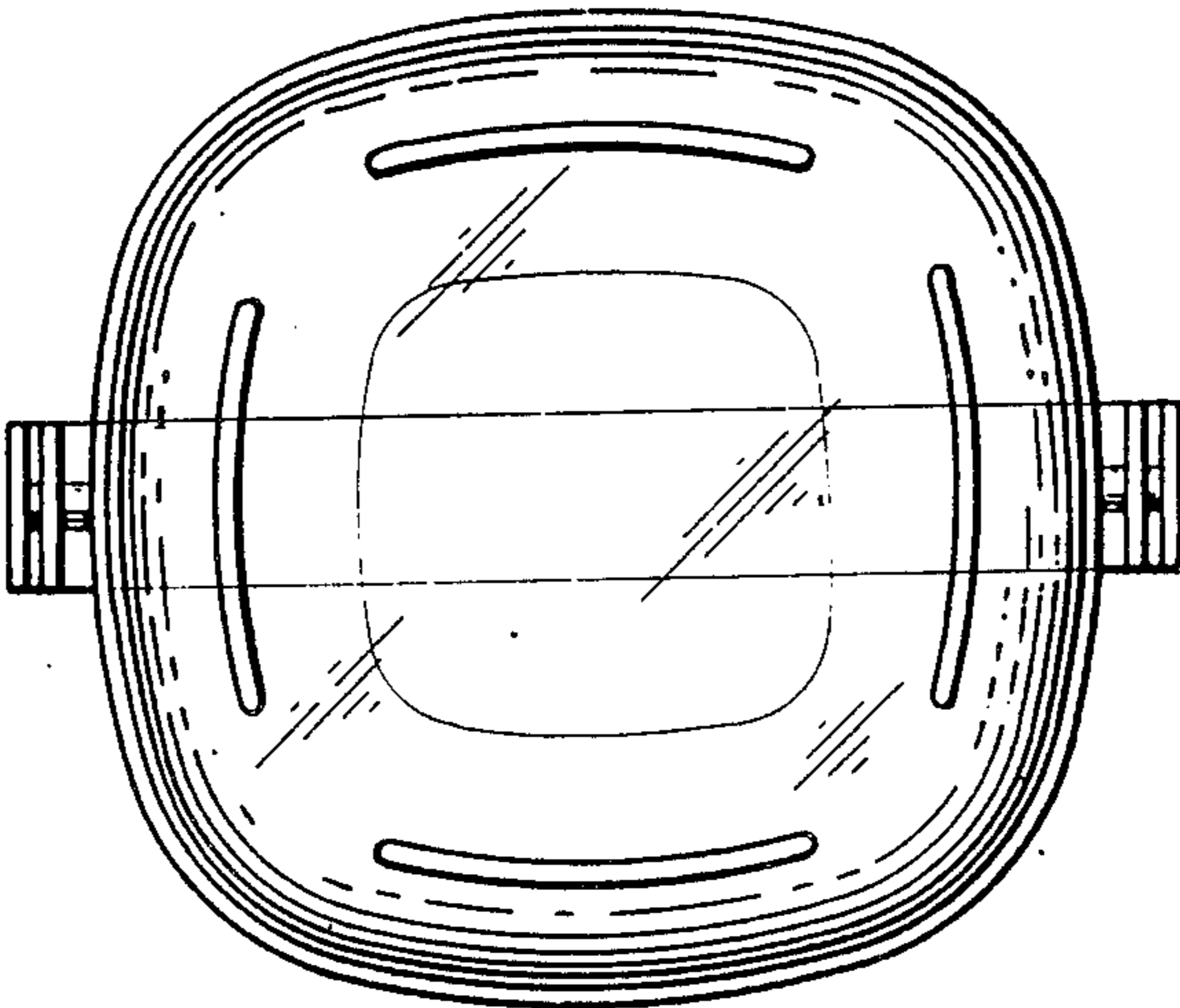


FIG. 4