

[54] COMBINED BRUSH AND TUBE HOLDER

[76] Inventor: Jerry Bordian, P.O. Box 91253, West Vancouver, British Columbia, Canada, V7V 3N9

[**] Term: 14 Years

[21] Appl. No.: 755,153

[22] Filed: Jul. 15, 1985

[52] U.S. Cl. D6/528; D6/534; D6/541; D6/569; D6/574

[58] Field of Search D6/527, 528, 530, 531, D6/529, 534, 541, 567, 569, 540, 574; 211/13, 65, 87, 88; 248/110; 206/362.1, 373

[56] References Cited

U.S. PATENT DOCUMENTS

D. 30,560 4/1899 Kirkwood D6/528
D. 171,468 2/1954 Simon D6/528

D. 190,467 6/1961 Stansberry D6/534
D. 205,125 6/1966 Naylor D6/541
D. 279,640 7/1985 Walbeck D6/540
1,291,349 1/1919 Ackers 211/87
2,028,694 1/1936 Spinks 211/87

Primary Examiner—B. J. Bullock
Attorney, Agent, or Firm—Fetherstonhaugh & Co.

[57] CLAIM

The ornamental design for a combined brush and tube holder, substantially as shown and described.

DESCRIPTION

FIG. 1 is a front left perspective view of a combined brush and tube holder showing my new design;
FIG. 2 is a reduced front elevational view thereof;
FIG. 3 is a reduced right side elevational view thereof;
FIG. 4 is a reduced left side elevational view thereof;
FIG. 5 is a reduced top plan view thereof;
FIG. 6 is a reduced bottom plan view thereof;
FIG. 7 is a reduced rear elevational view thereof.

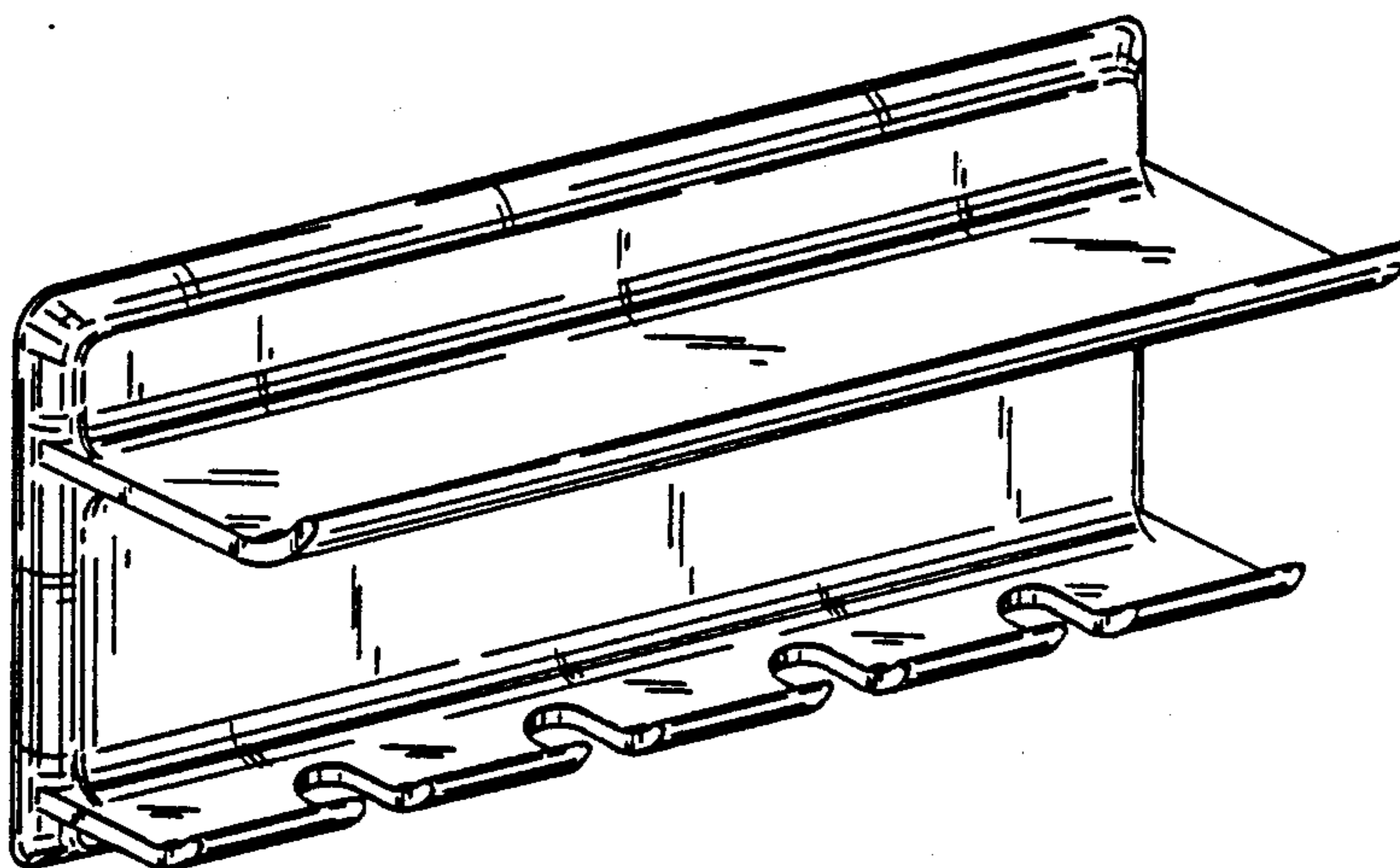


Fig. 1.

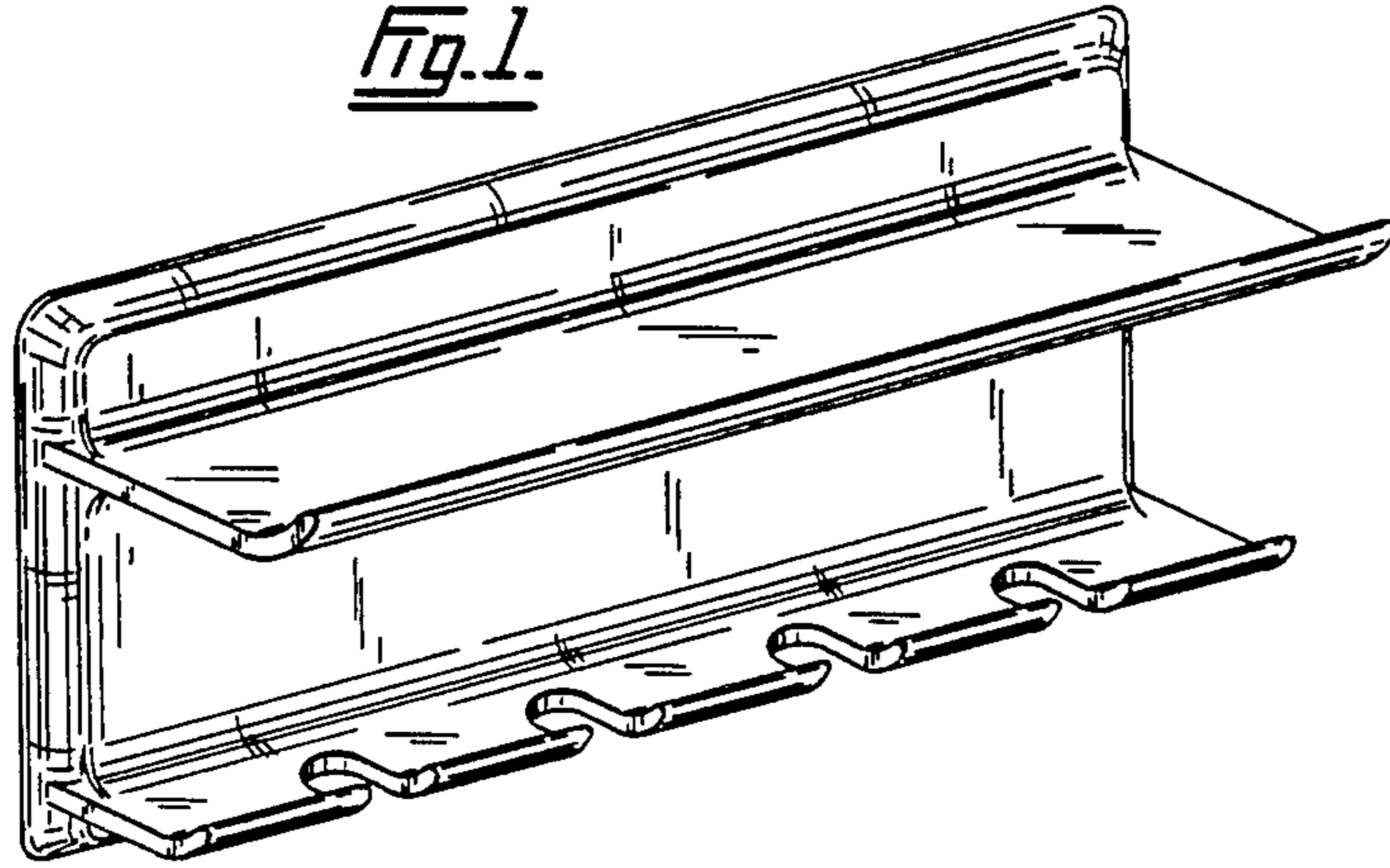


Fig. 3.

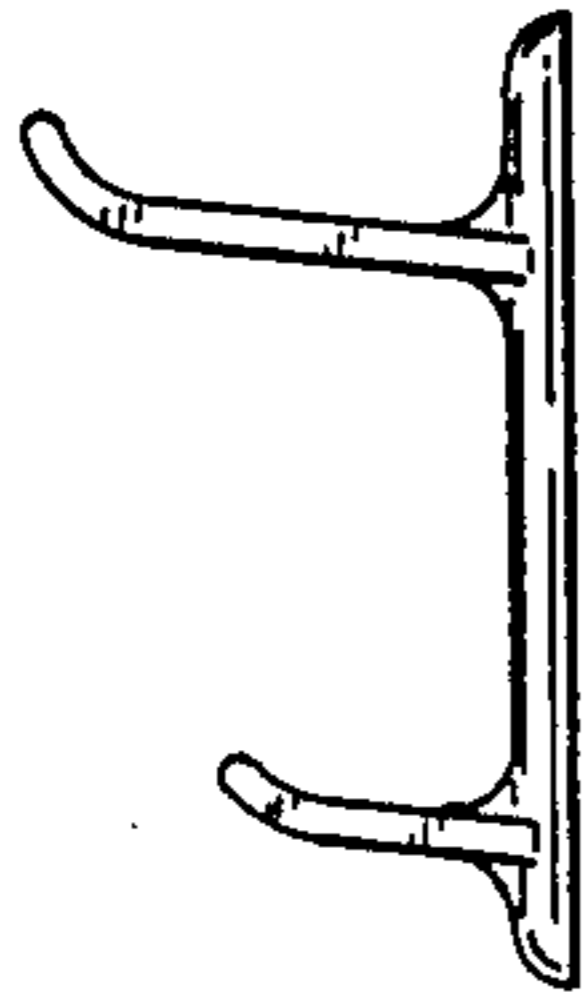


Fig. 2.



Fig. 4.

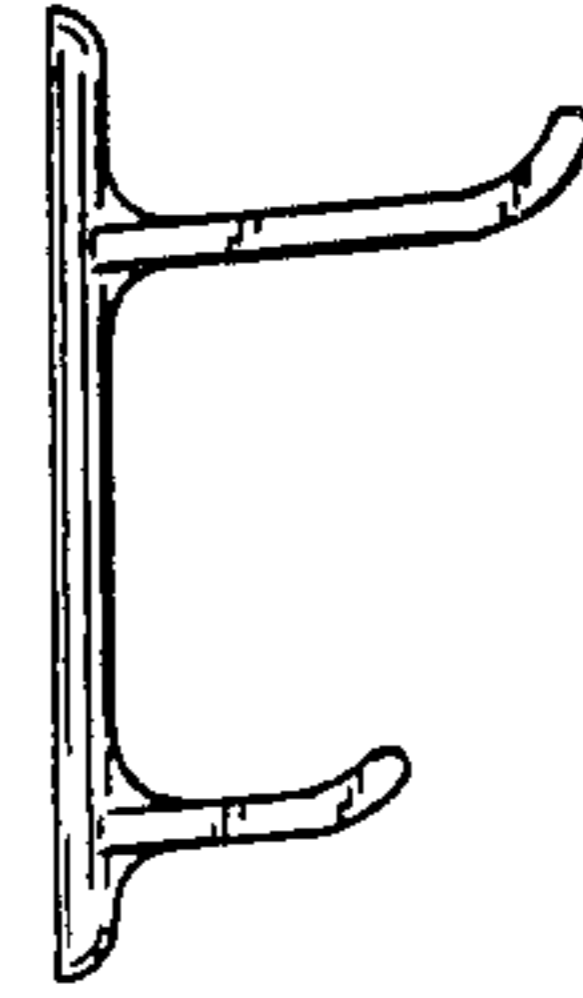


Fig. 5.

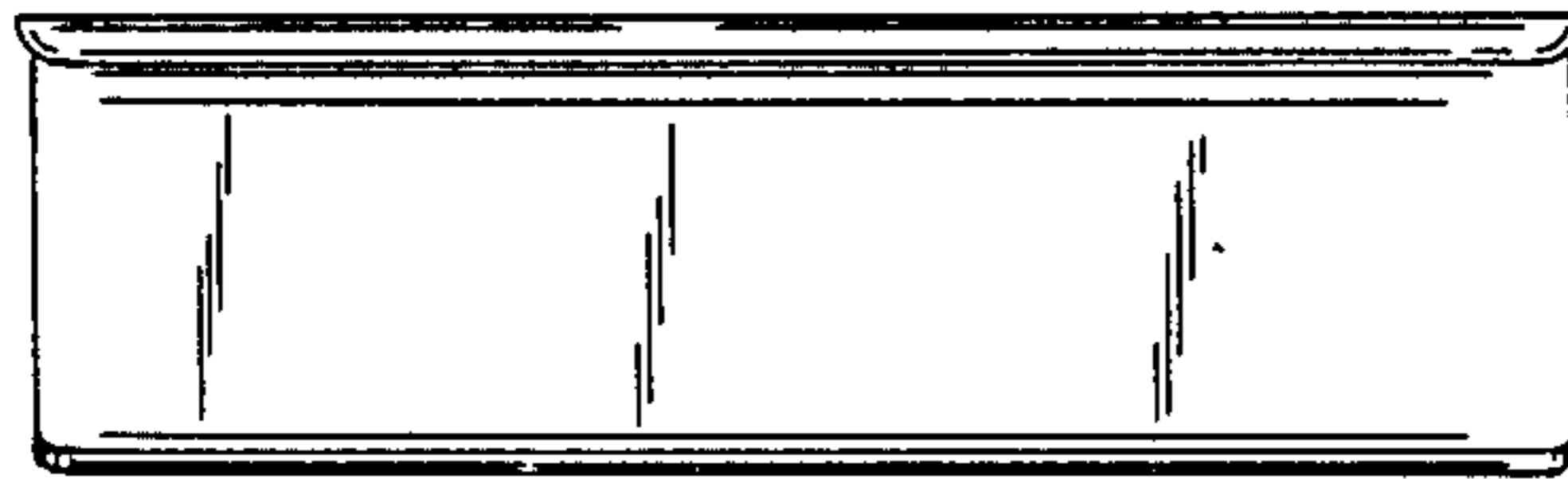


Fig. 6.



Fig. 7.

