

[54] ADJUSTABLE LOUNGE CHAIR

[76] Inventor: Henry Massonnet,
Nurieux-Volognat, France, 01760

[**] Term: 14 Years

[21] Appl. No.: 790,007

[22] Filed: Oct. 22, 1985

[30] Foreign Application Priority Data

Apr. 22, 1985 [FR] France 85 1813

[52] U.S. Cl. D6/368; D6/361

[58] Field of Search D6/334, 367, 368, 370,
D6/371, 372, 373, 379, 380; 297/16, 18, 47, 55,
56, 118, 325

[56] References Cited

U.S. PATENT DOCUMENTS

- D. 194,461 1/1963 Schultz D6/361
- D. 197,645 3/1964 Ferro D6/361
- D. 225,704 1/1973 Geddings D6/361

- D. 259,679 6/1981 Sroub D6/361
- D. 264,404 5/1982 Sato D6/368
- D. 277,241 1/1985 Massonnet D6/368
- D. 278,392 4/1985 Bayly D6/361
- D. 282,415 2/1986 Sheridan D6/361
- D. 291,390 8/1987 Biscarini D6/361

Primary Examiner—Bruce W. Dunkins
Attorney, Agent, or Firm—Dowell & Dowell

[57] CLAIM

The ornamental design for an adjustable lounge chair, as shown and described.

DESCRIPTION

FIG. 1 is a three-quarter perspective view of an adjustable lounge chair showing my new design; FIG. 2 is a right side elevational view thereof, the left side being a mirror image of the illustrated right side; FIG. 3 is a front elevational view thereof; FIG. 4 is a rear elevational view thereof; FIG. 5 is a top plan view thereof; and FIG. 6 is a bottom plan view thereof.

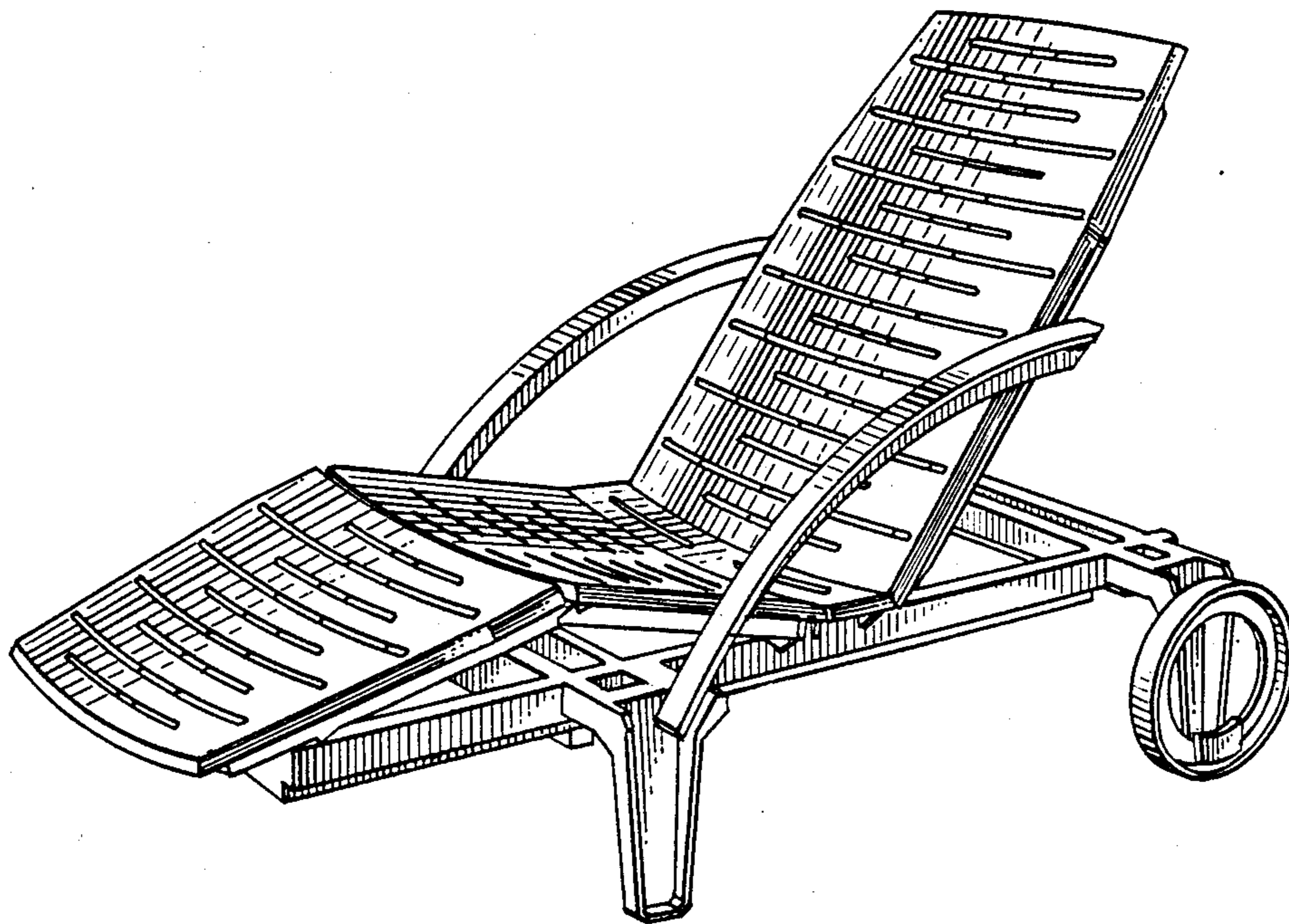


FIG. 1.

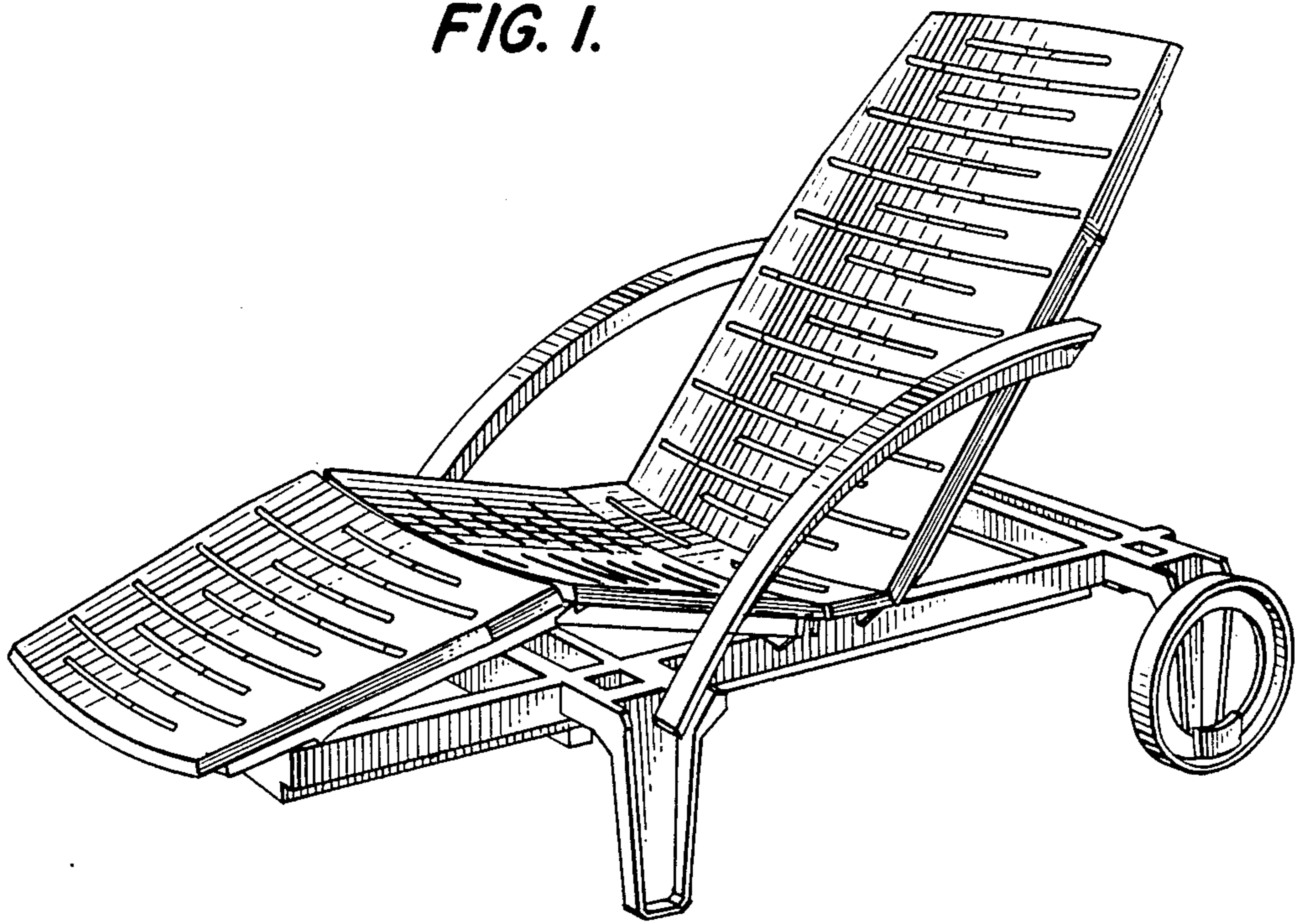


FIG. 2.

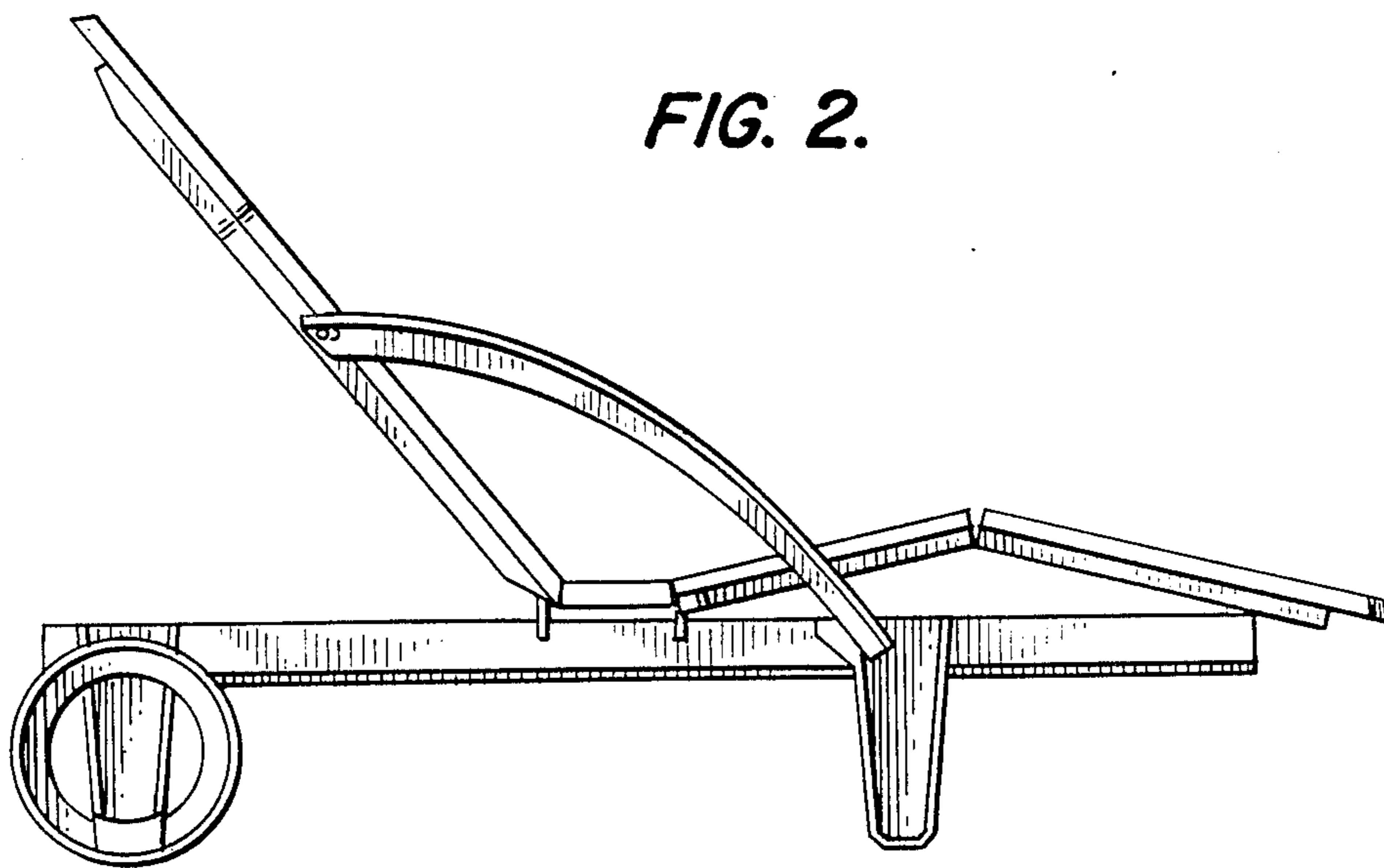


FIG. 3.

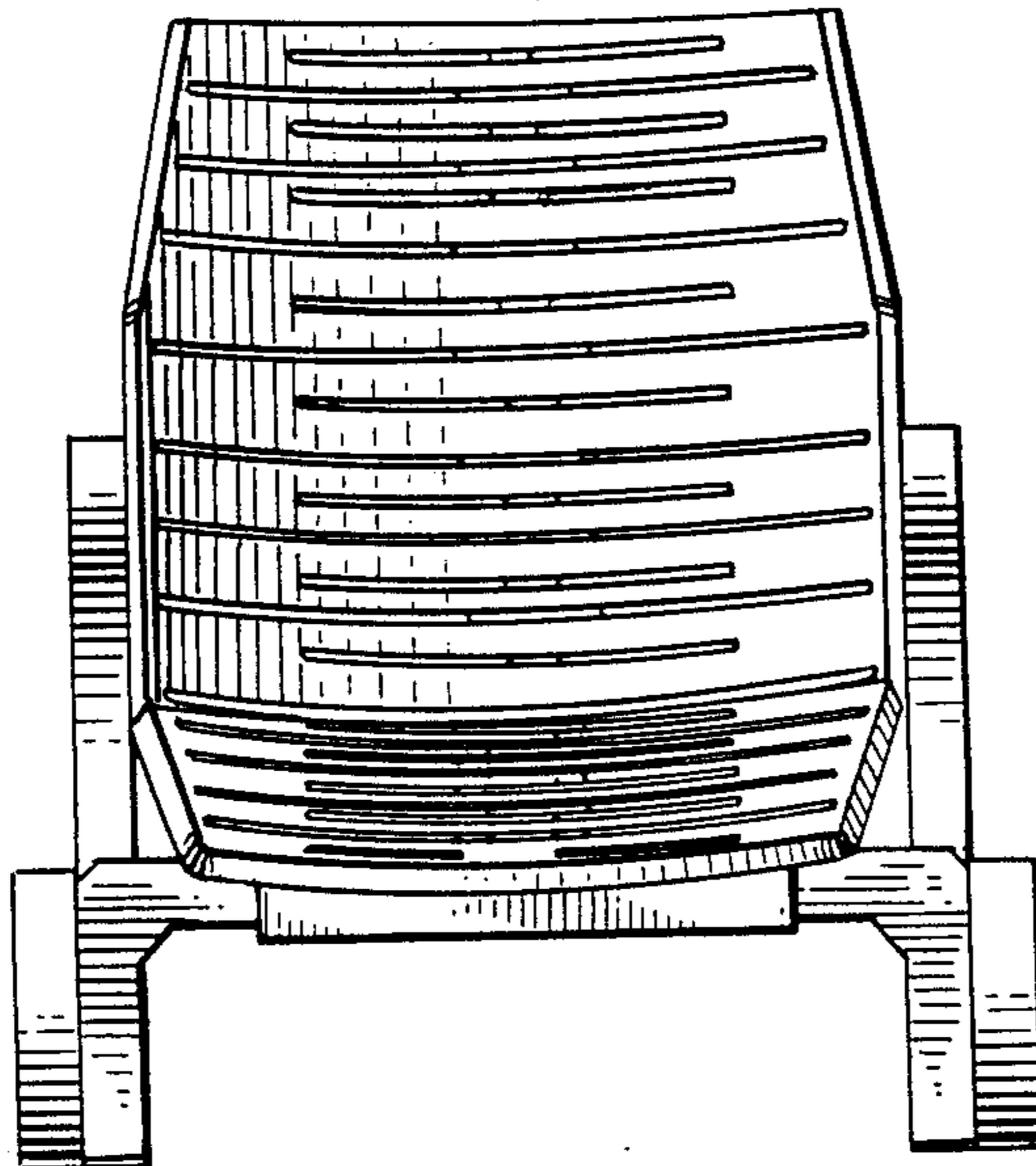


FIG. 4.

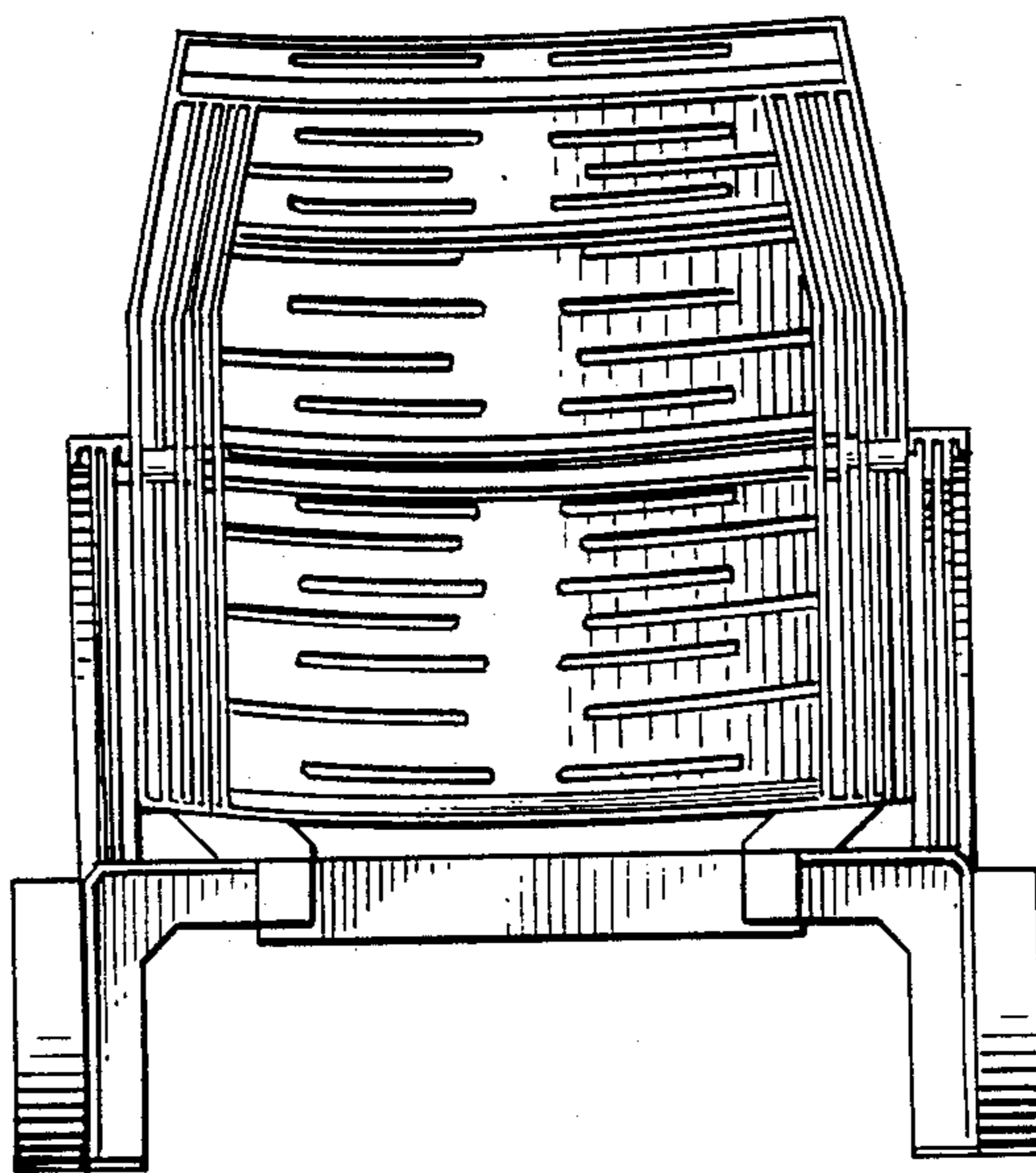


FIG. 5.

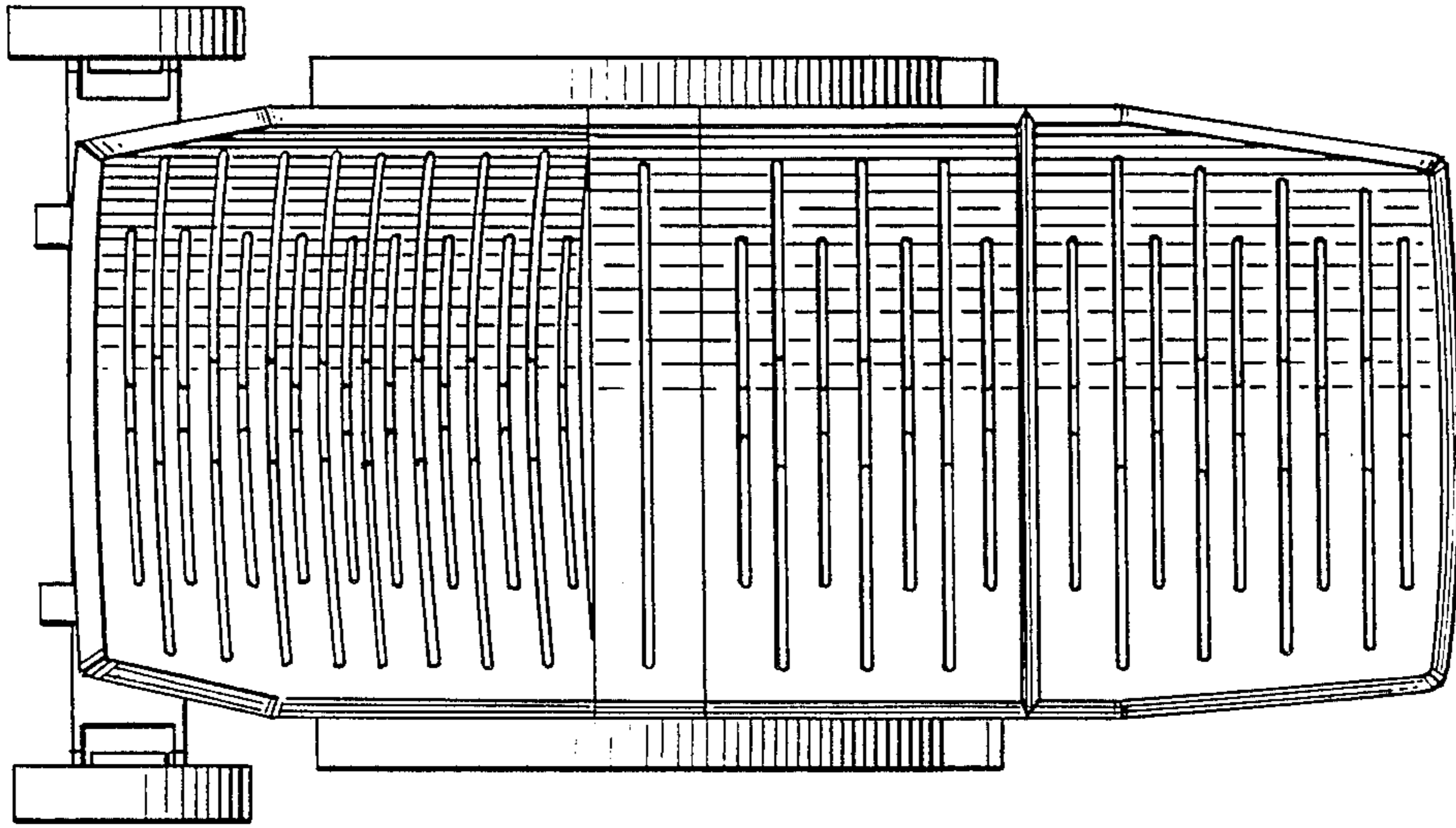


FIG. 6.

