

[54] **BAR STOOL**

D. 286,473 11/1986 Zakharov D6/379

[75] **Inventor:** Vladimir W. Zakharov, Baldwin Park, Calif.

[73] **Assignee:** Mikhail Darafeev, Inc., Baldwin Park, Calif.

[**] **Term:** 14 Years

[21] **Appl. No.:** 871,586

[22] **Filed:** Jun. 6, 1986

[52] **U.S. Cl.** D6/360; D6/379; D6/380

[58] **Field of Search** D6/339, 379, 349, 360, D6/370, 379, 380; 297/440, 441, 445

[56] **References Cited**

U.S. PATENT DOCUMENTS

D. 42,932	8/1912	Dunton	D6/339
D. 45,365	3/1914	Barnes	D6/353
D. 82,666	12/1930	Ferris	D6/339
D. 84,440	6/1931	Reese	D6/353
D. 103,714	3/1937	Davis	D6/339
D. 106,213	9/1937	Peterson	D6/353
D. 126,270	4/1941	Panzer	D6/352
D. 132,105	4/1942	Peterson	D6/352
D. 141,076	5/1945	Peltier	D6/339
D. 141,379	5/1945	Panzer	D6/352
D. 149,637	5/1948	Hayes	D6/339
D. 173,651	12/1954	Gelman	D6/339
D. 181,215	10/1957	Lubberts et al.	D6/339
D. 224,079	7/1972	Voytko	D6/339
D. 258,853	4/1981	Zola	D6/379
D. 259,751	7/1981	Redmond	D6/339
D. 269,056	5/1983	Claman	D6/369

OTHER PUBLICATIONS

Viking Oak catalog, p. 12, Bar Stool No. R-14310.
 Best Products catalog, 1980-1981, p. 215.
 Best Products catalog, 1983-1984, p. 294.
 W. Bell & Co. catalog, 1980, p. 339.
 W. Bell & Co. catalog, 1983, p. 362.
 Thonet catalog 5512, pp. 58, 59, 60.
 Fick's Reed catalog, 1977-1978, p. 88.

Primary Examiner—Bruce W. Dunkins
Attorney, Agent, or Firm—Boniard I. Brown

[57] **CLAIM**

The ornamental design for bar stool, as shown and described.

DESCRIPTION

FIG. 1 is a perspective view of a bar stool, showing my new design;
 FIG. 2 is a front view thereof;
 FIG. 3 is a rear view thereof;
 FIG. 4 is a side elevational view, the opposite side being a mirror image thereof;
 FIG. 5 is a bottom view thereof;
 FIG. 6 is a top view thereof;
 FIG. 7 is a perspective view of a modified form of the design shown in FIGS. 1 through 6;
 FIG. 8 is a front view thereof;
 FIG. 9 is a rear view thereof;
 FIG. 10 is a side elevational view, the opposite side being a mirror image thereof;
 FIG. 11 is a bottom view thereof; and
 FIG. 12 is a top view thereof.

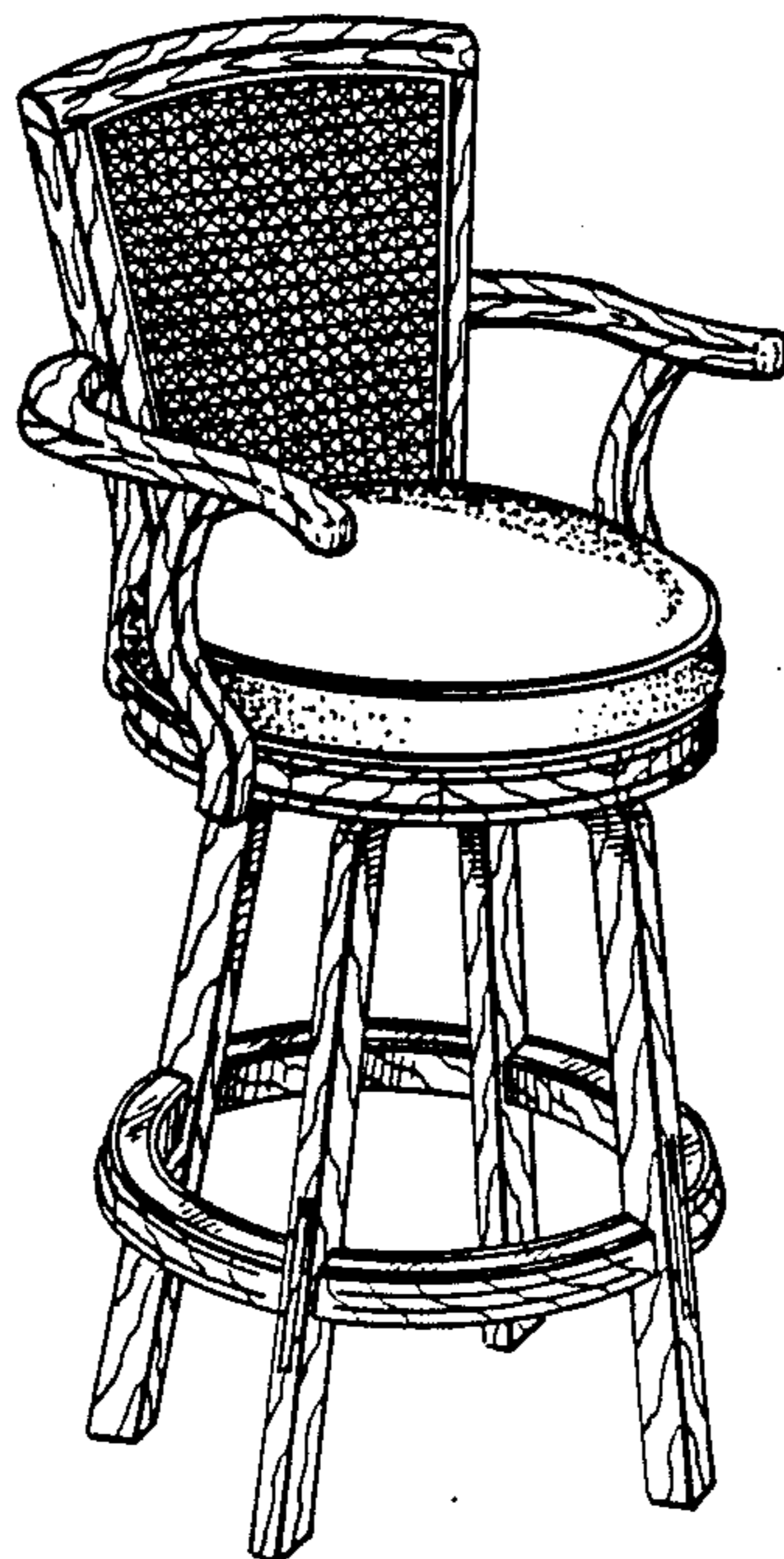


FIG. 1

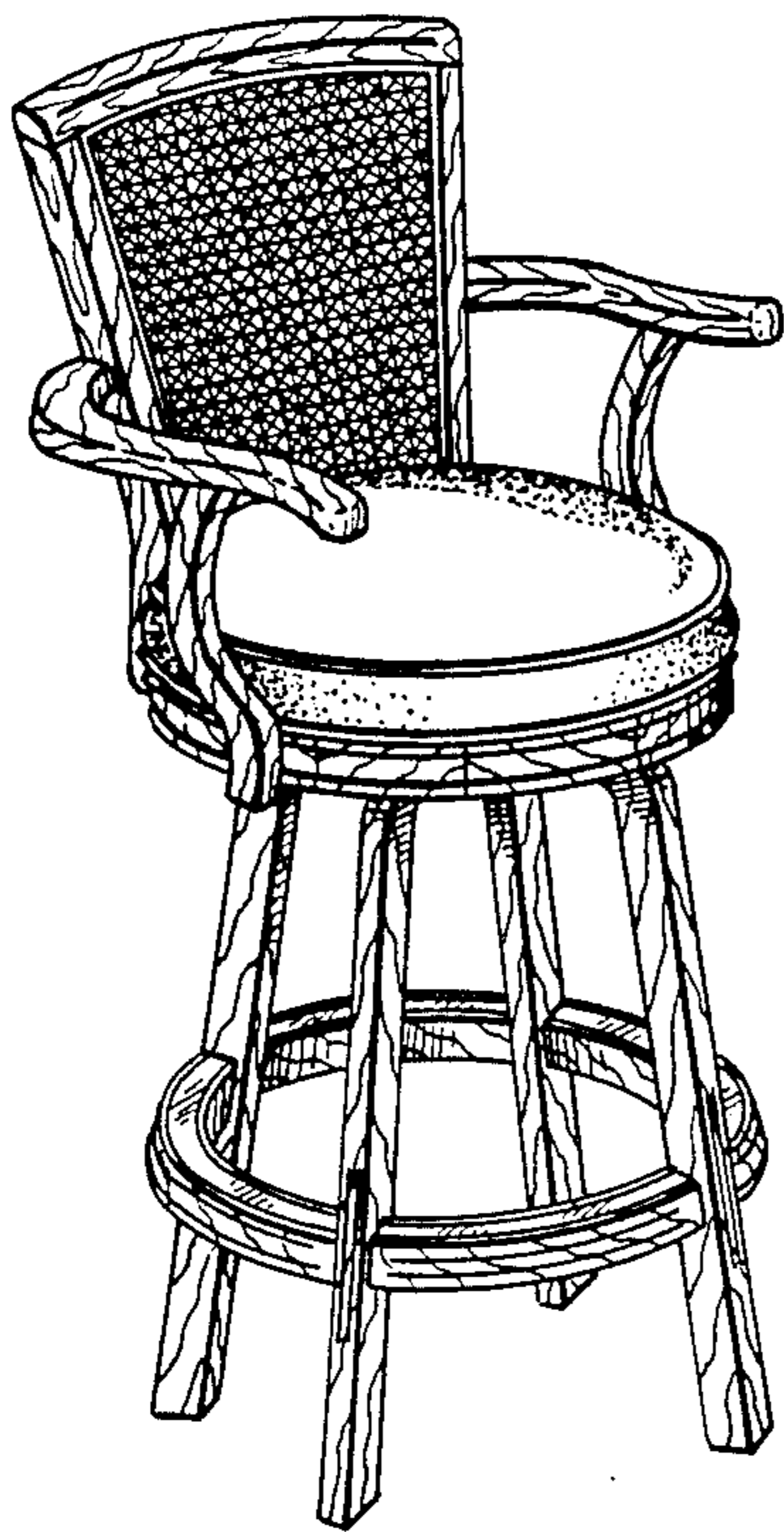


FIG. 2

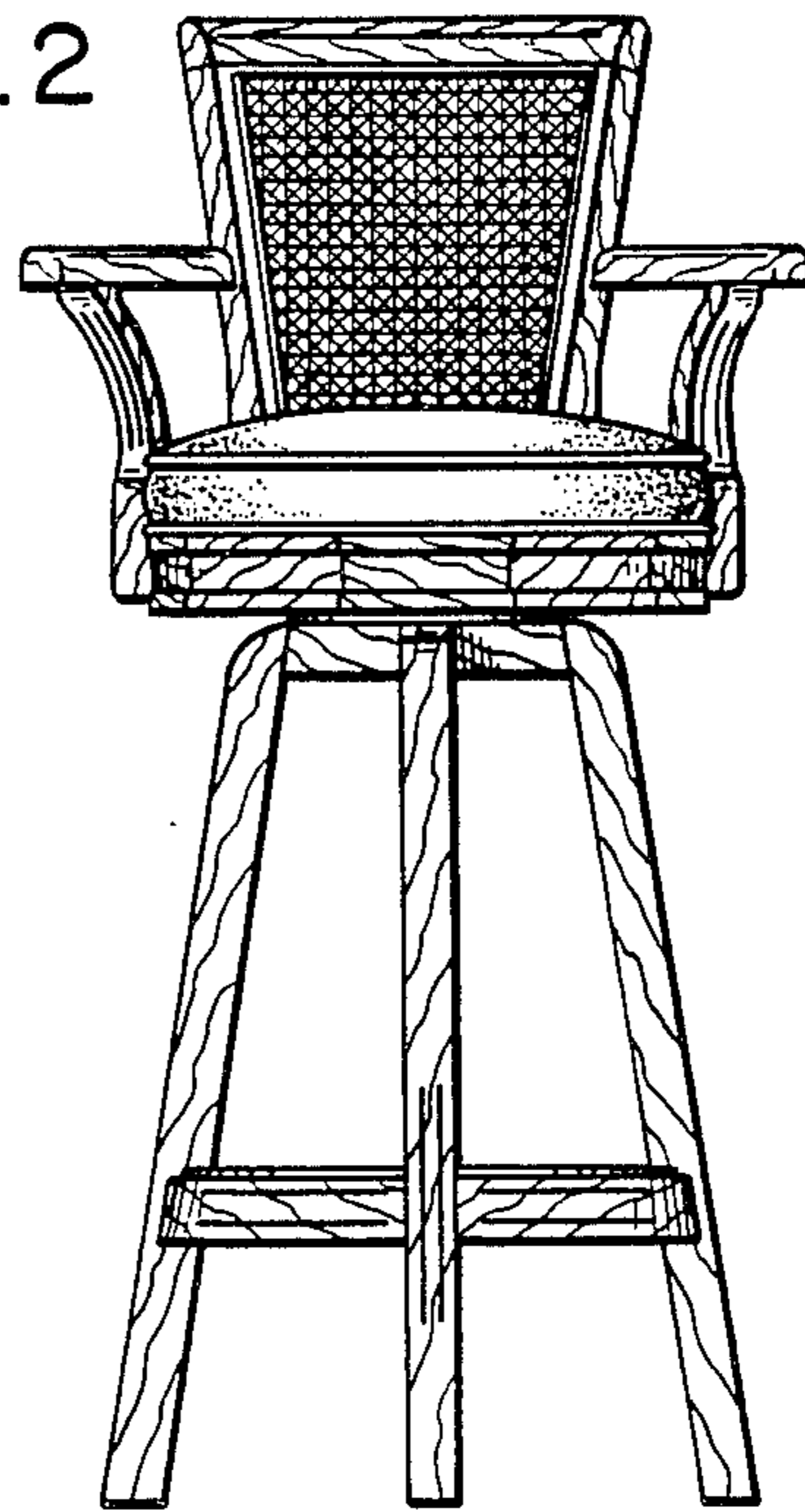


FIG. 3

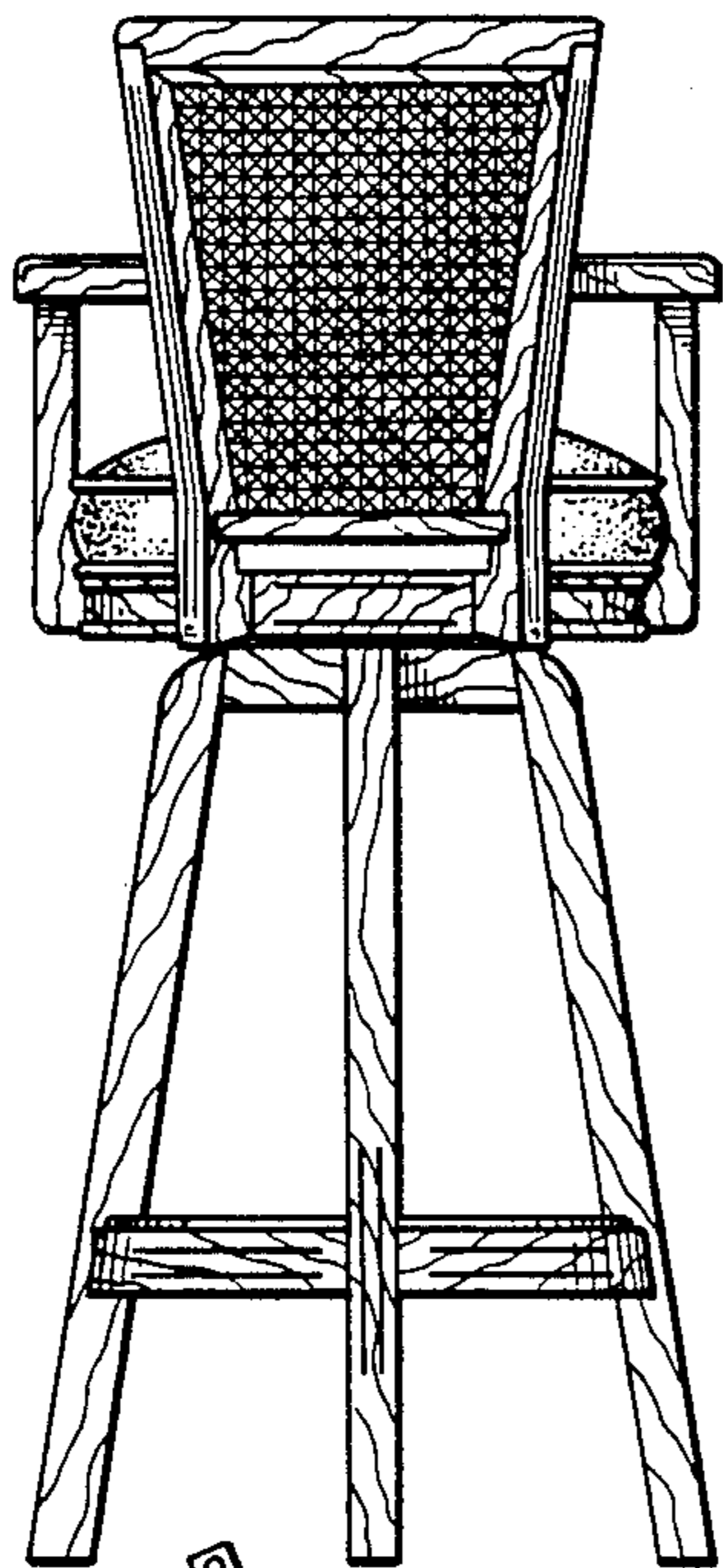


FIG. 4

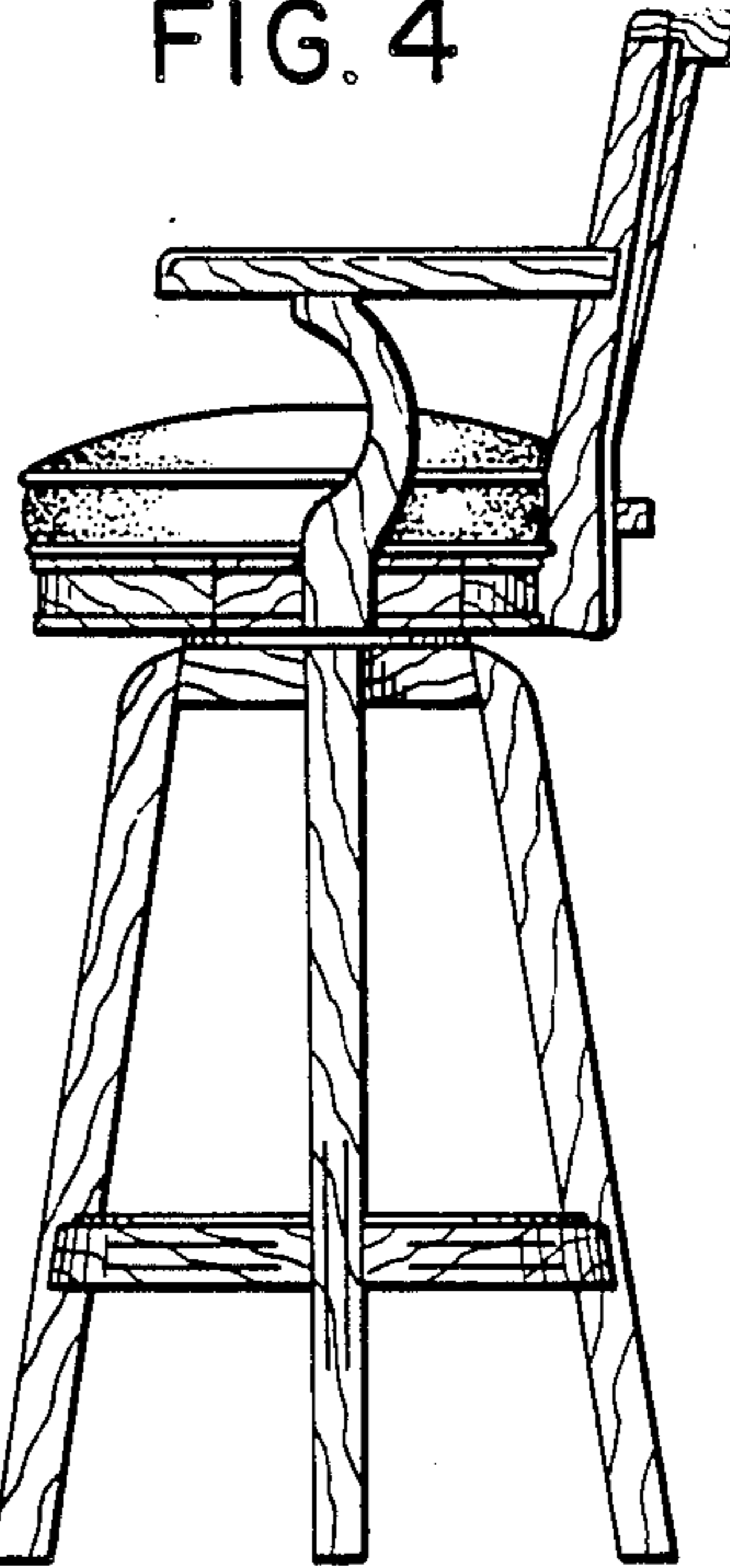


FIG. 5

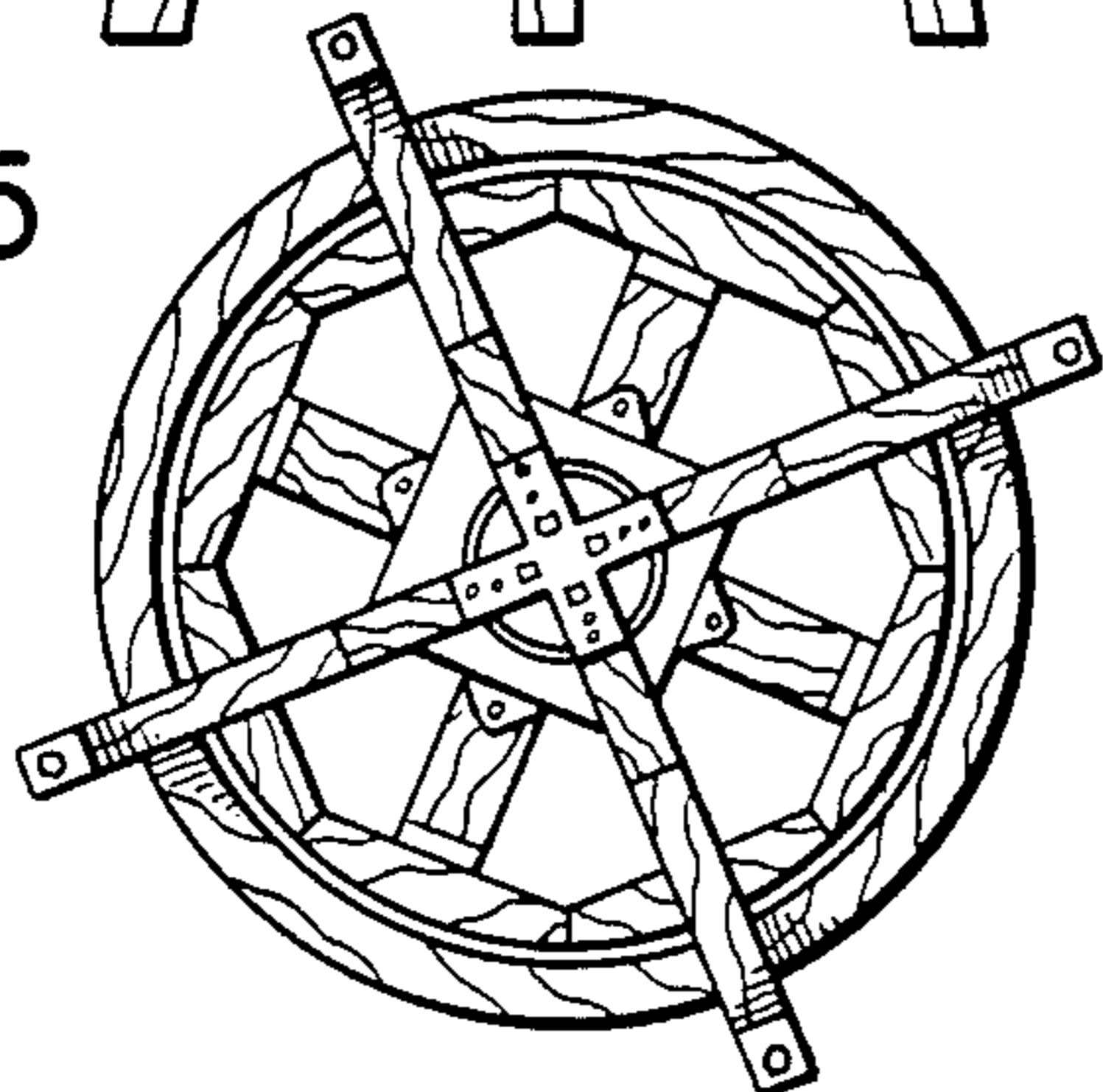


FIG. 6

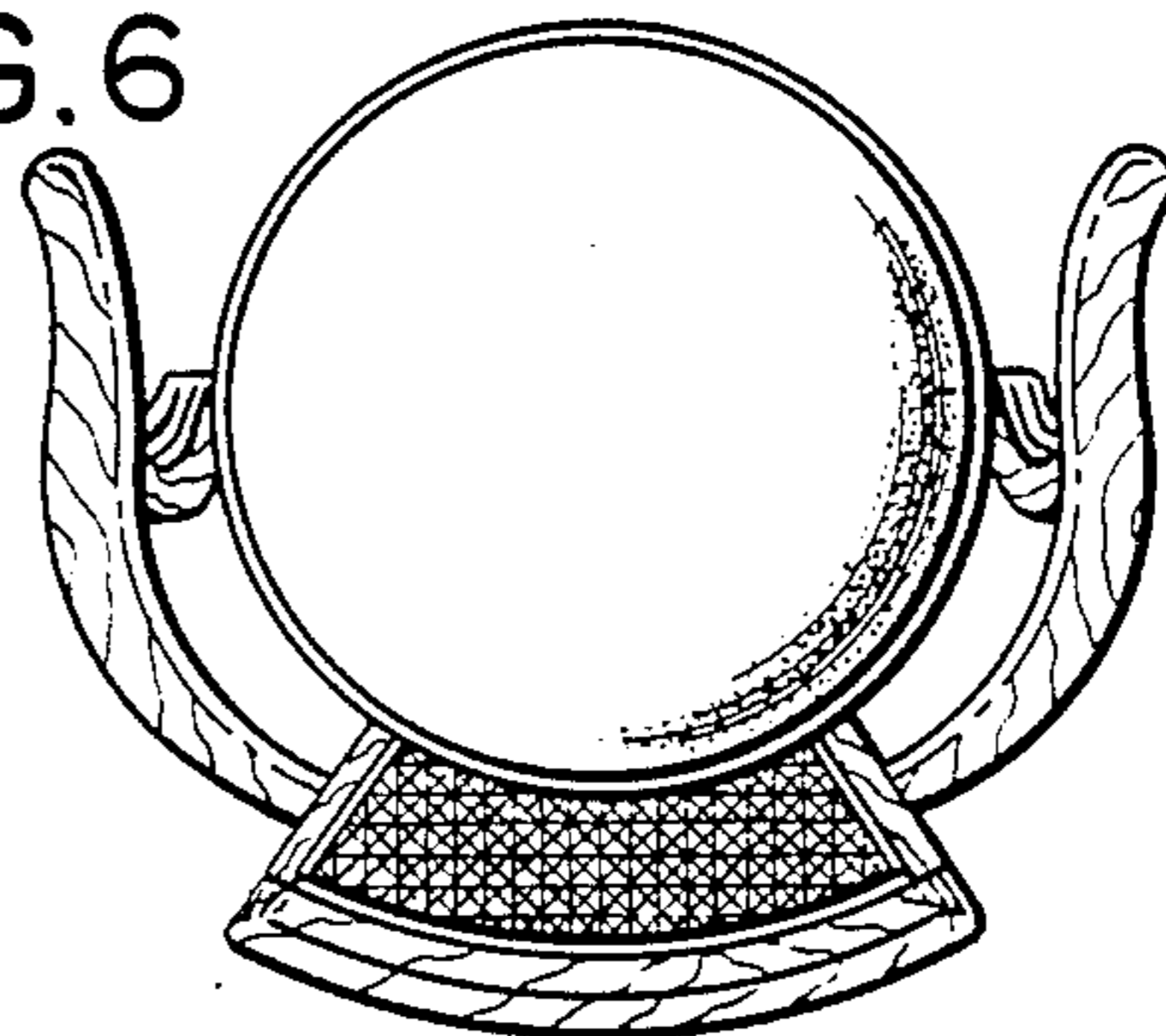


FIG. 7

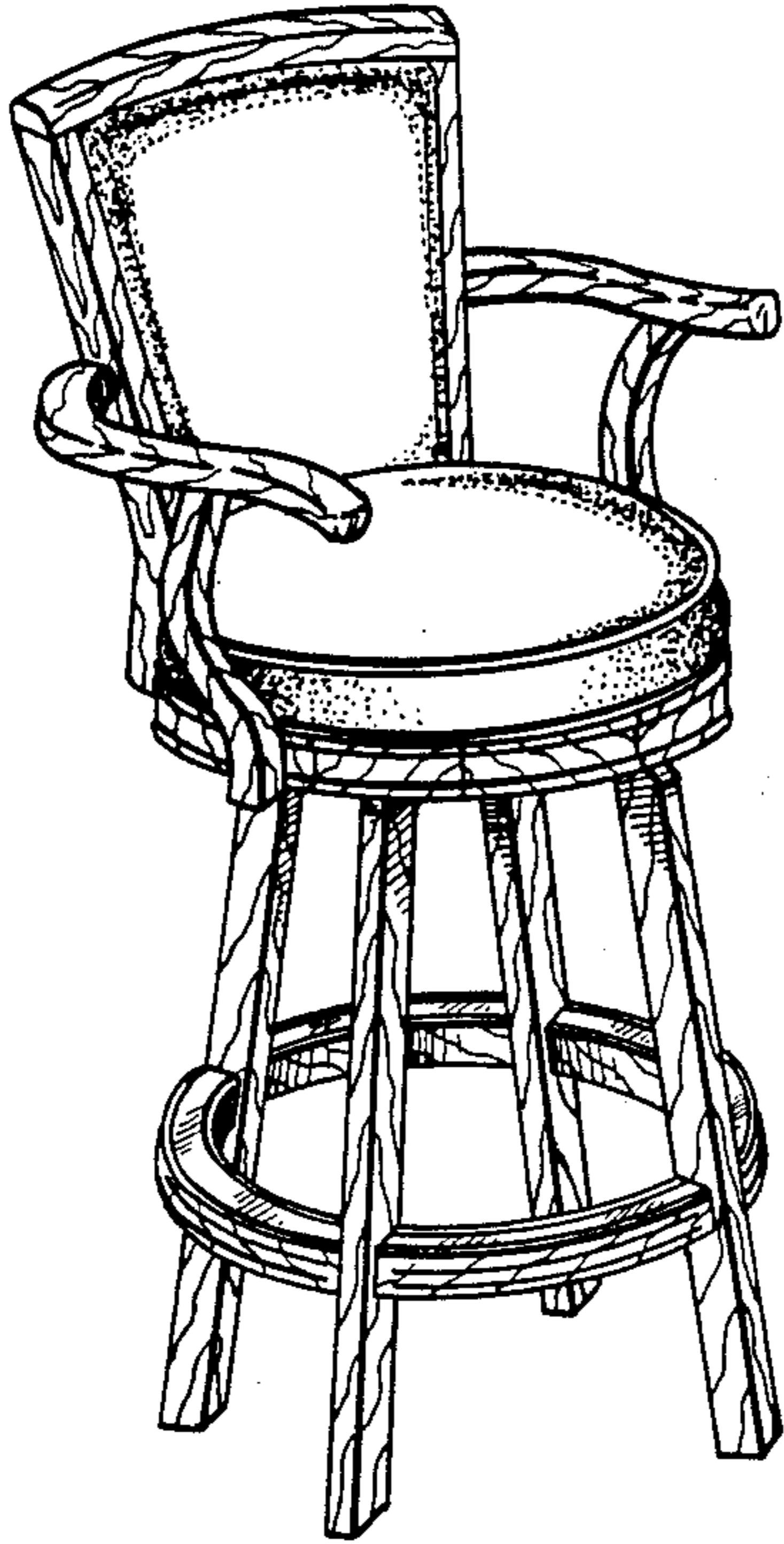


FIG. 8

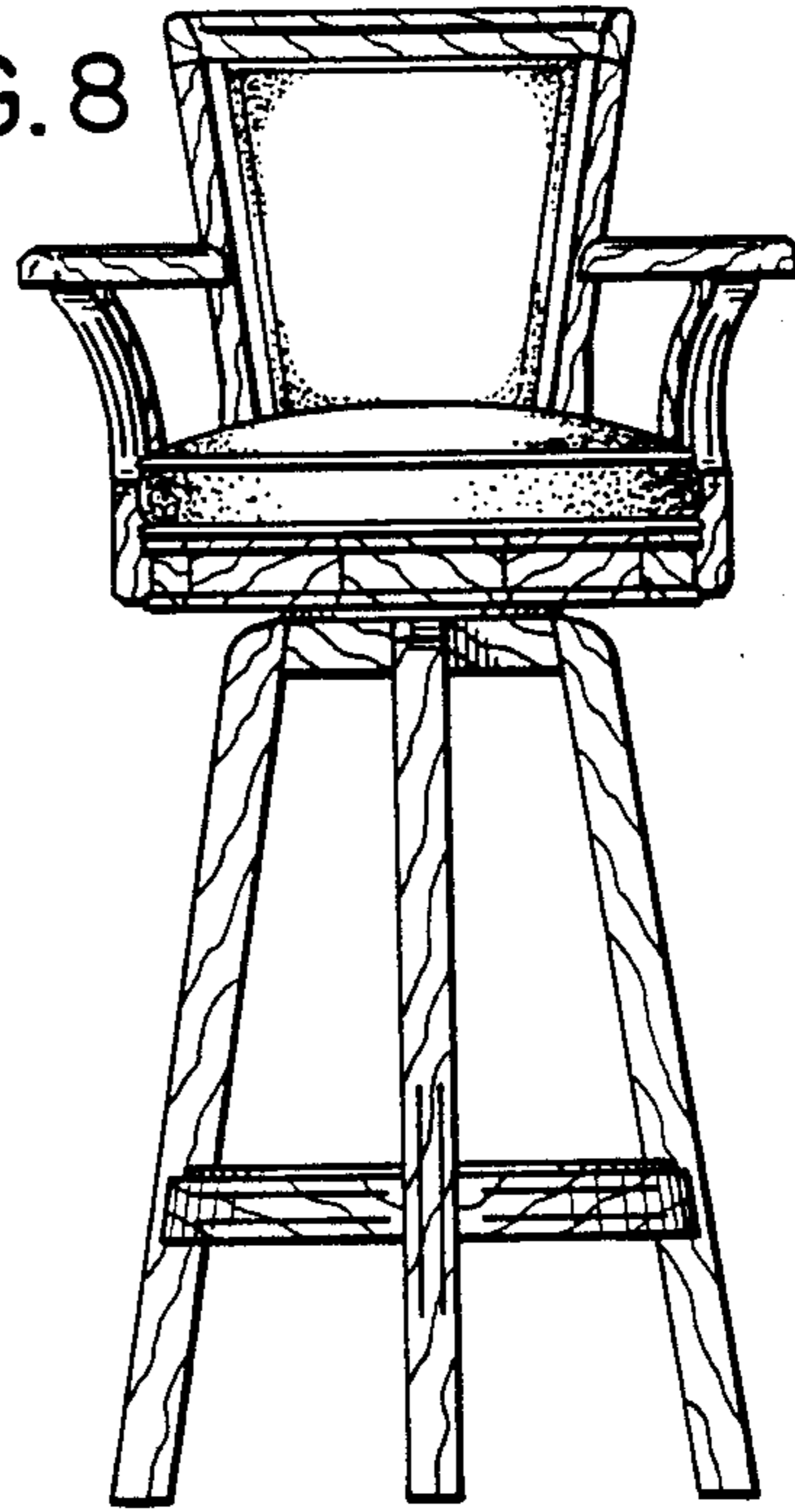


FIG. 9

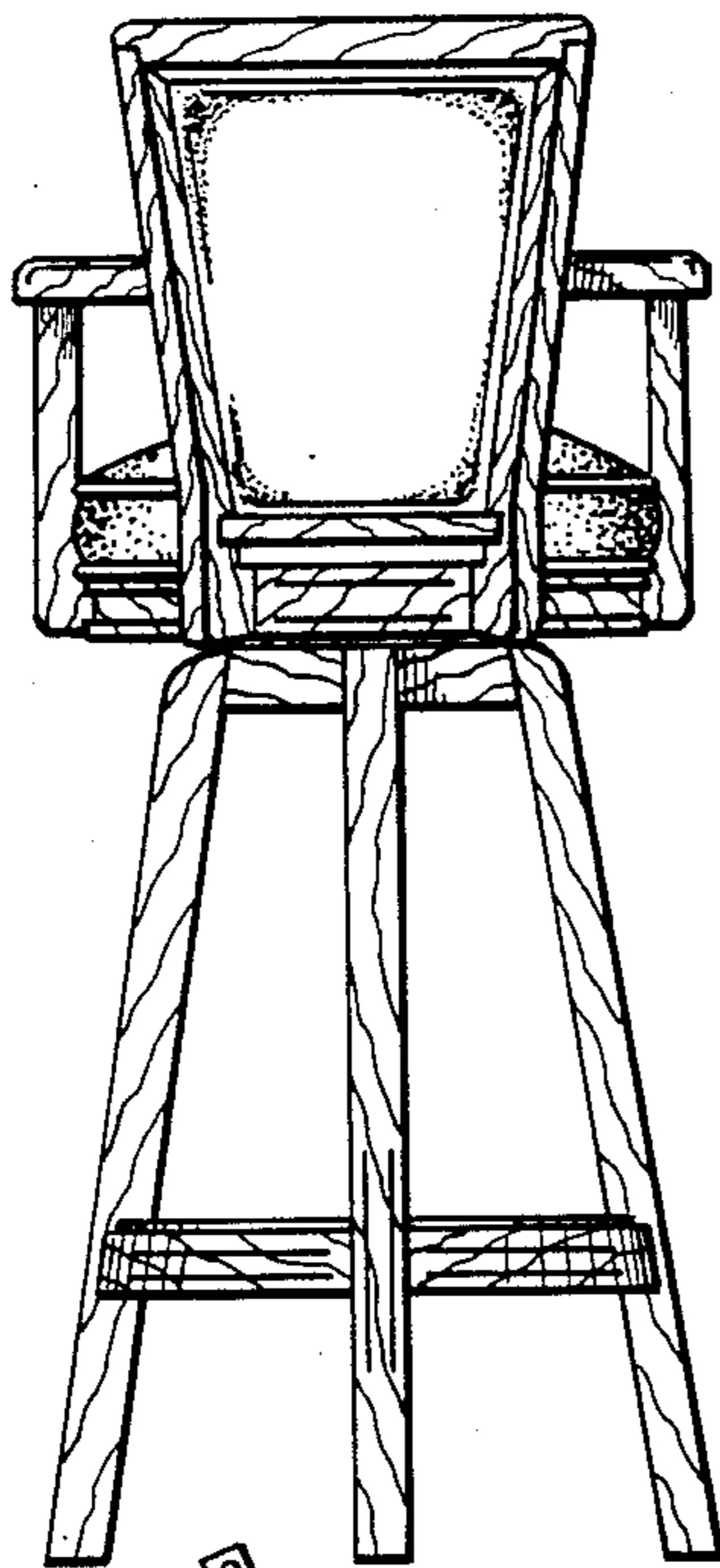


FIG. 10

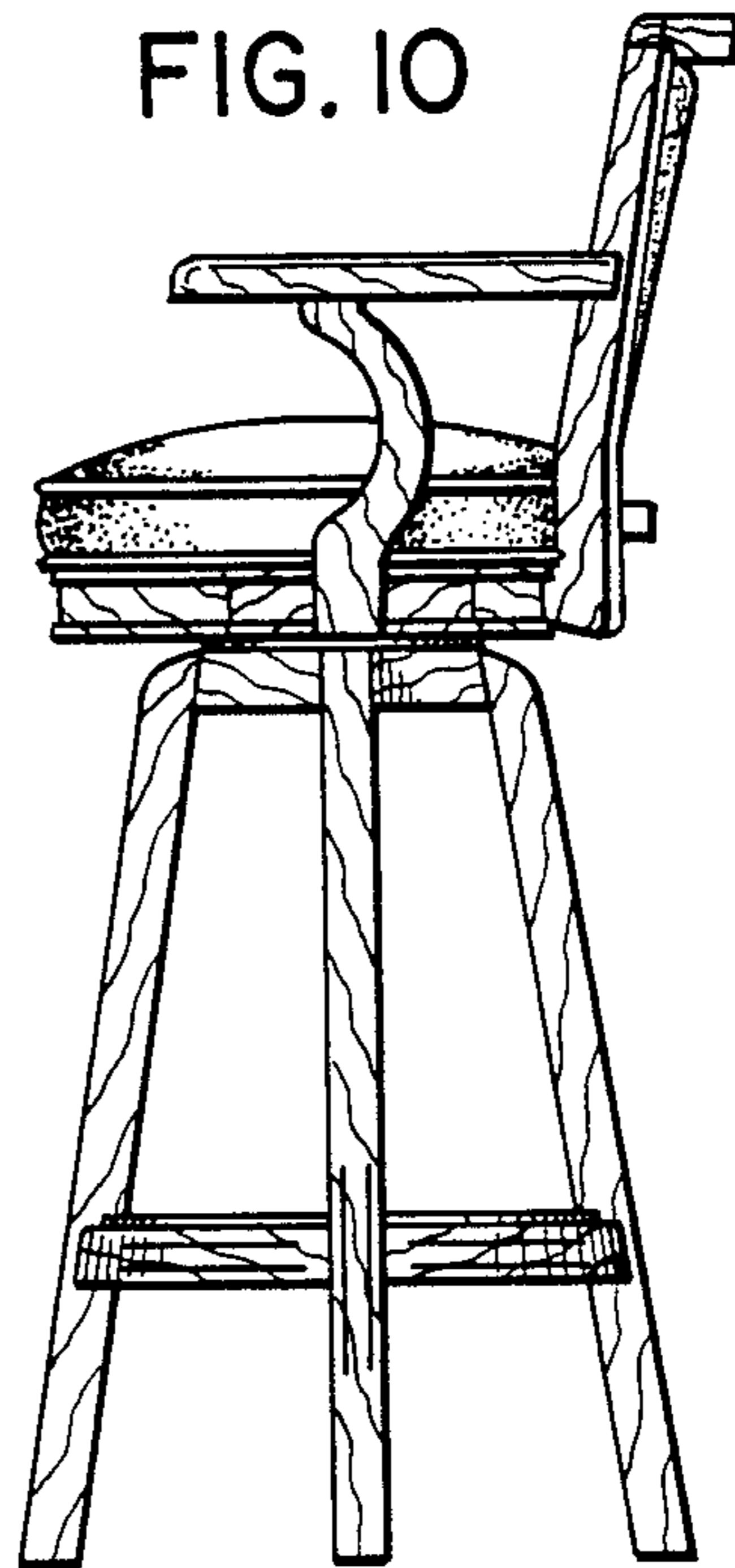


FIG. 11

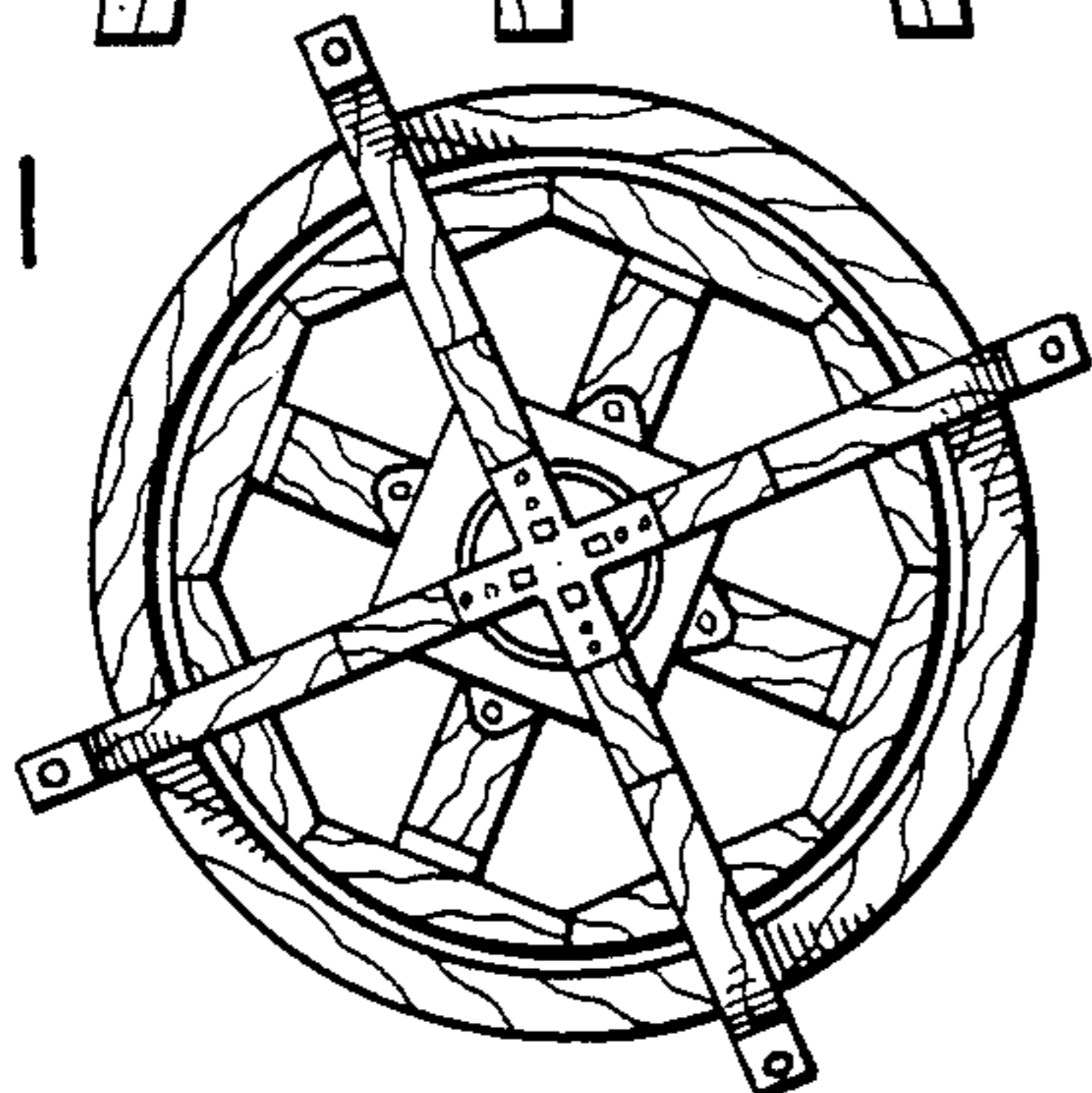


FIG. 12

