

[54] DISPOSABLE TOOTH BRUSH

[76] Inventor: Robert A. DeMars, 7932 Maestro St.,
Canoga Park, Calif. 91304

[**] Term: 14 Years

[21] Appl. No.: 766,428

[22] Filed: Aug. 16, 1985

[52] U.S. Cl. D4/108

[58] Field of Search D4/104-113;
15/167 R; 132/84; 401/152, 158, 161-164, 169,
171-175, 268, 286, 287

4,036,412 7/1977 Craig 401/161 X

FOREIGN PATENT DOCUMENTS

54996 3/1911 Switzerland 401/172

Primary Examiner—Catherine E. Kemper
Attorney, Agent, or Firm—Cislo & Thomas

[57] CLAIM

The ornamental design for a disposable tooth brush, as shown and described.

DESCRIPTION

FIG. 1 is a perspective view of a disposable tooth brush, showing my new design;

FIG. 2 is a front elevational view thereof;

FIG. 3 is a rear elevational view thereof;

FIG. 4 is a right side elevational view, the left side being a mirror image thereof;

FIG. 5 is a top plan view thereof;

FIG. 6 is a bottom plan view thereof.

[56] References Cited
U.S. PATENT DOCUMENTS

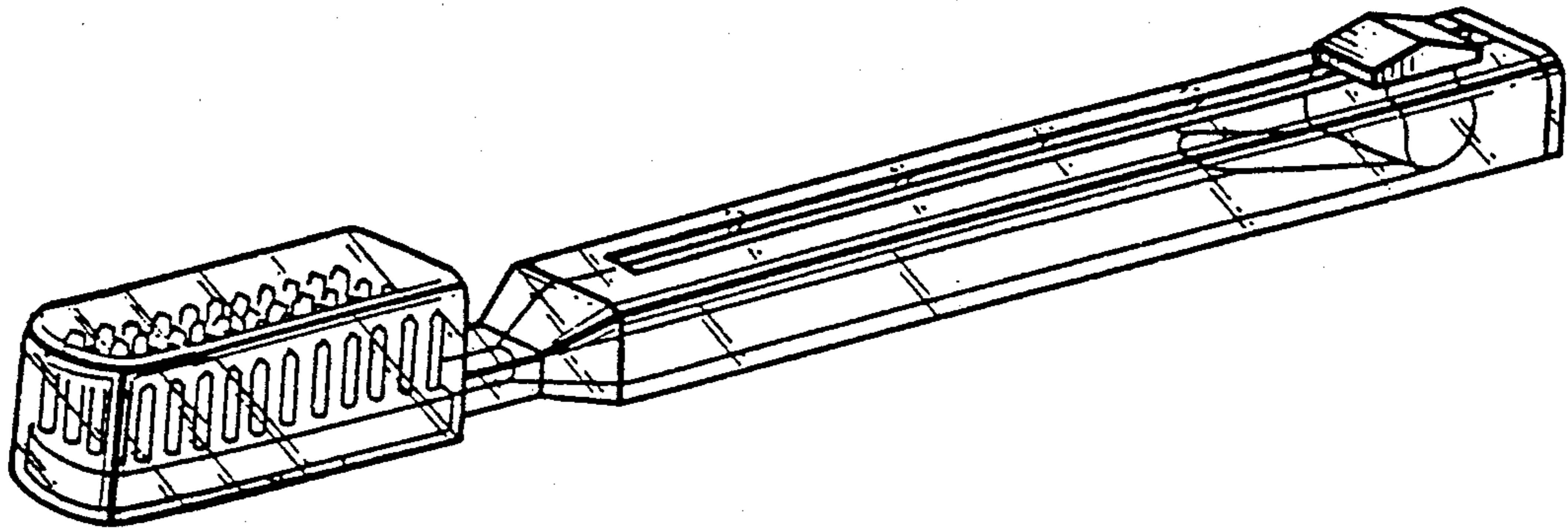
D. 233,574 11/1974 Reitknecht D4/108

818,000 4/1906 Stevenson 401/152 X

1,400,954 12/1921 Holloway et al. 401/158 X

1,776,808 9/1930 Hawksley 401/152

2,459,285 1/1949 Murphy 401/152 X



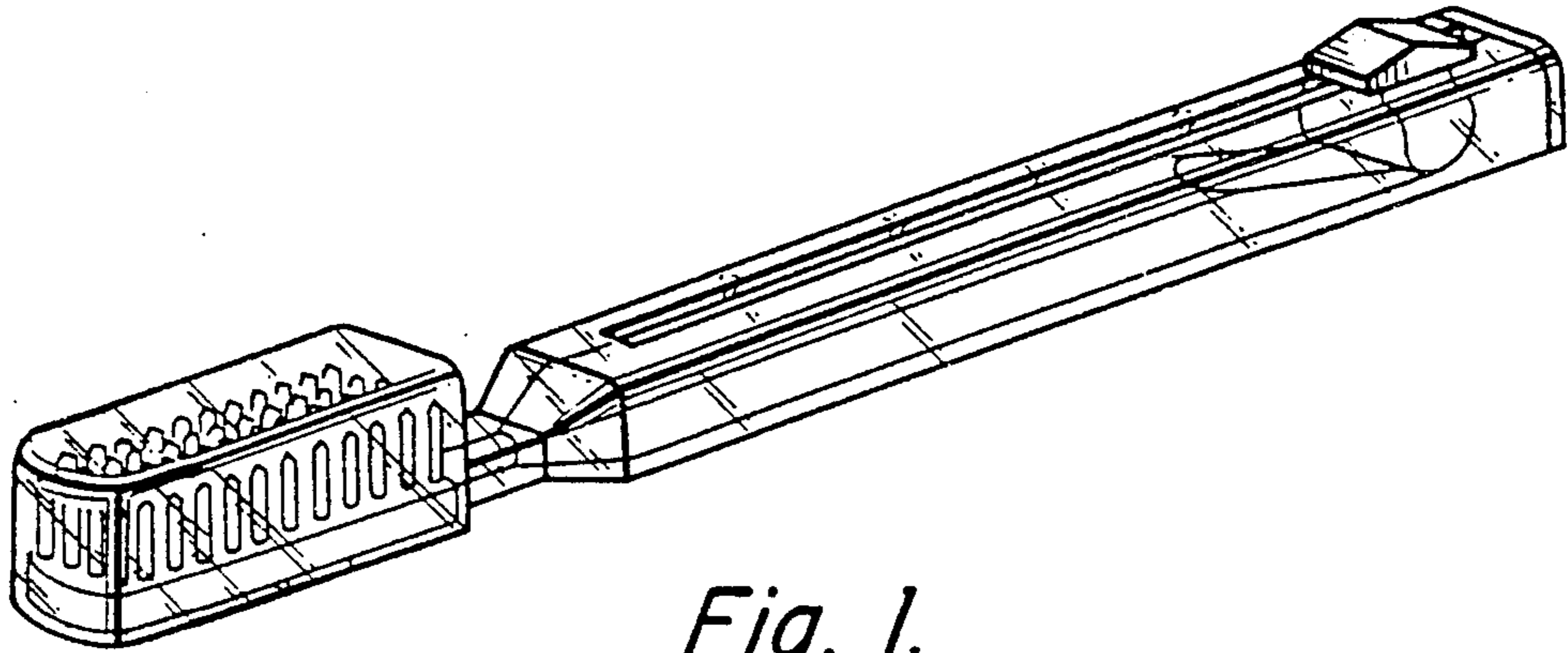


Fig. 1.

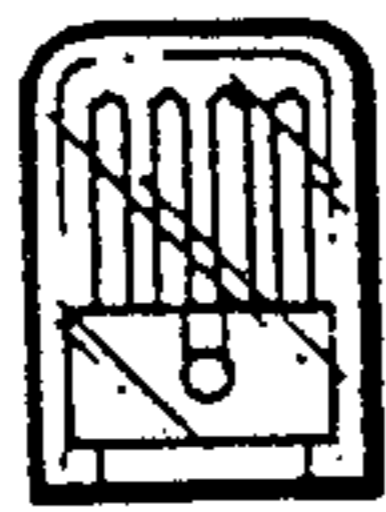


Fig. 2.



Fig. 3.

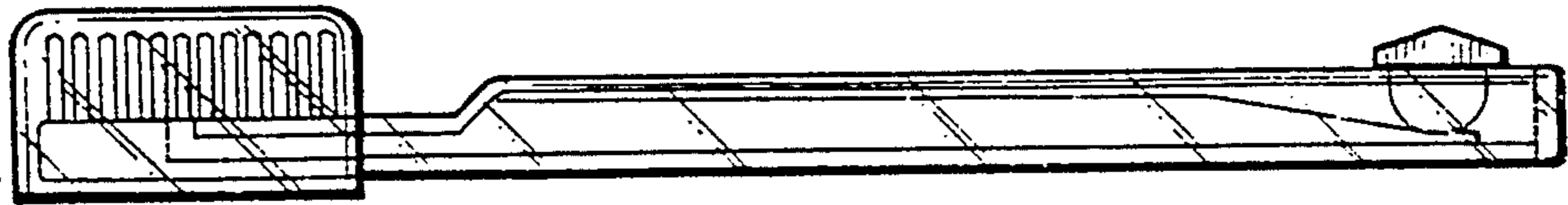


Fig. 4.

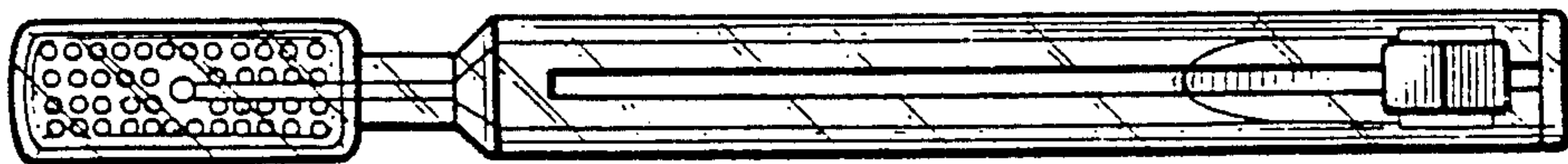


Fig. 5.

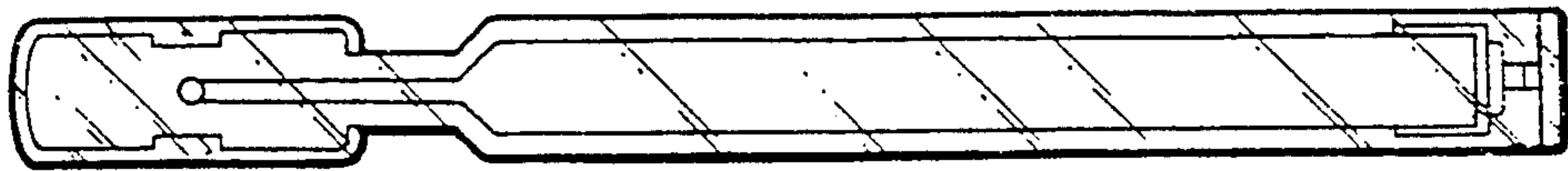


Fig. 6.