

[54] DISKETTE HOLDER

[75] Inventor: Richard B. Tell, Los Angeles, Calif.

[73] Assignee: C & S Sales, Culver City, Calif.

[**] Term: 14 Years

[21] Appl. No.: 735,691

[22] Filed: May 20, 1985

[52] U.S. Cl. D3/35; D19/26; D19/33

[58] Field of Search D3/30.1, 33, 35; D19/26, 27, 32, 33; 206/387, 309-312, 444; 211/40

[56] References Cited

U.S. PATENT DOCUMENTS

D. 231,641	5/1974	Christiansen	D3/35
D. 269,187	5/1983	Petersen	D19/32
D. 281,834	12/1985	Rose, Jr. et al.	D19/26
D. 285,144	8/1986	Roskvist	D3/35
3,673,721	7/1972	Wassell	D19/26
4,511,034	4/1985	Pan	D19/26

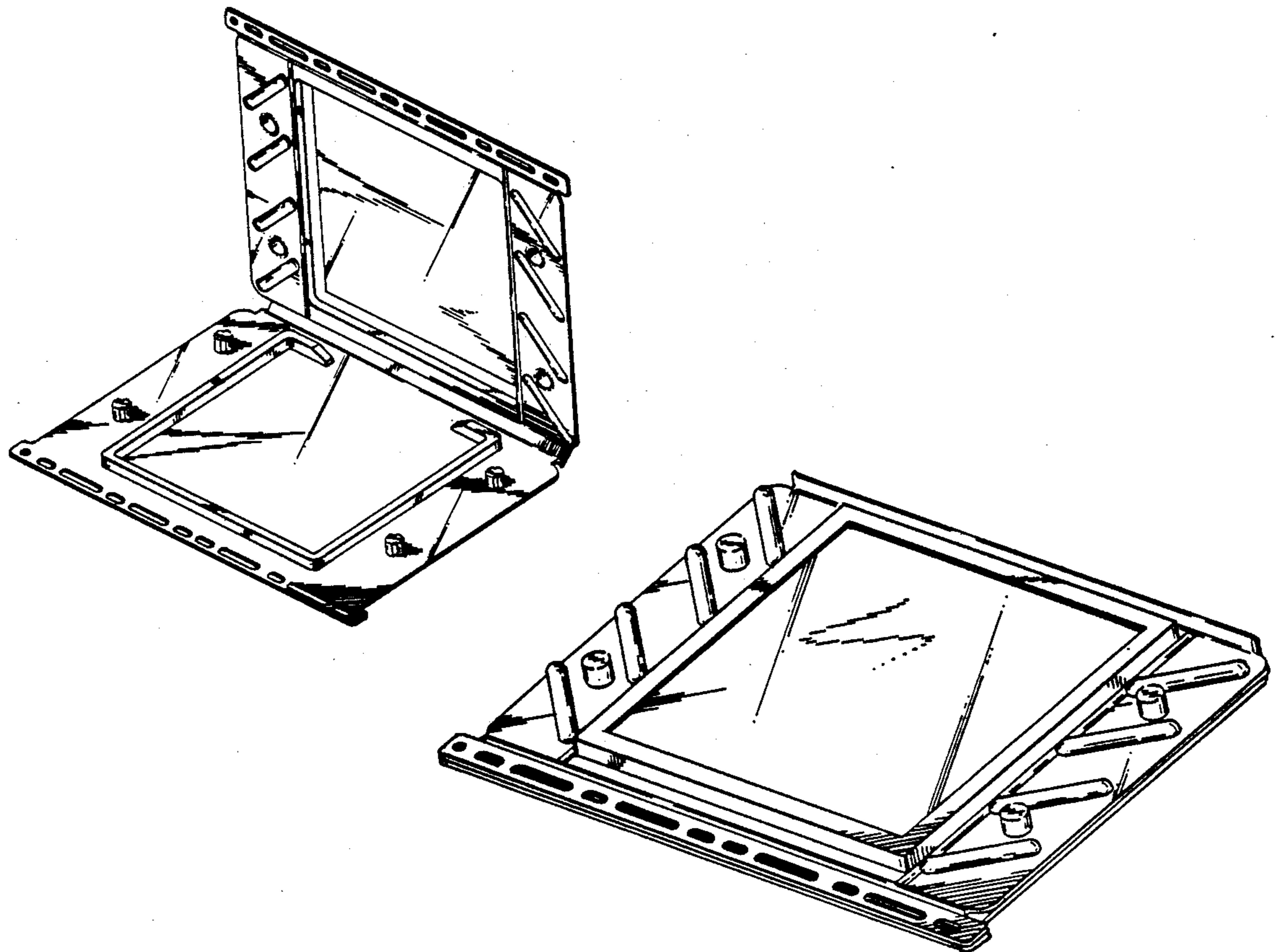
Primary Examiner—George P. Word
Attorney, Agent, or Firm—Pretty, Schroeder,
Brueggemann & Clark

[57] CLAIM

The ornamental design for a diskette holder, as shown and described.

DESCRIPTION

FIG. 1 is a perspective view of a diskette holder, showing my new design in a partially open position;
 FIG. 2 is a perspective top view view of the diskette holder shown in a fully closed position;
 FIG. 3 is a perspective bottom view of the diskette holder shown in a fully closed position;
 FIG. 4 is a top plan view of the diskette holder shown in a fully open position;
 FIG. 5 is a bottom plan view of the diskette holder shown in a fully open position;
 FIG. 6 is a side elevational view of the diskette holder shown in a fully open position;
 FIG. 7 is a side elevational view of a bottom cover of the diskette holder;
 FIG. 8 is a side elevational view of a top cover of the diskette holder;
 FIG. 9 is an enlarged scale fragmentary cross-sectional view of the diskette holder taken substantially along line 9—9 of FIG. 4;
 FIG. 10 is an enlarged scale fragmentary cross-sectional view of the diskette holder taken substantially along line 10—10 of FIG. 4; and
 FIG. 11 is an enlarged scale fragmentary cross-sectional view of the diskette holder taken substantially along line 11—11 of FIG. 4.



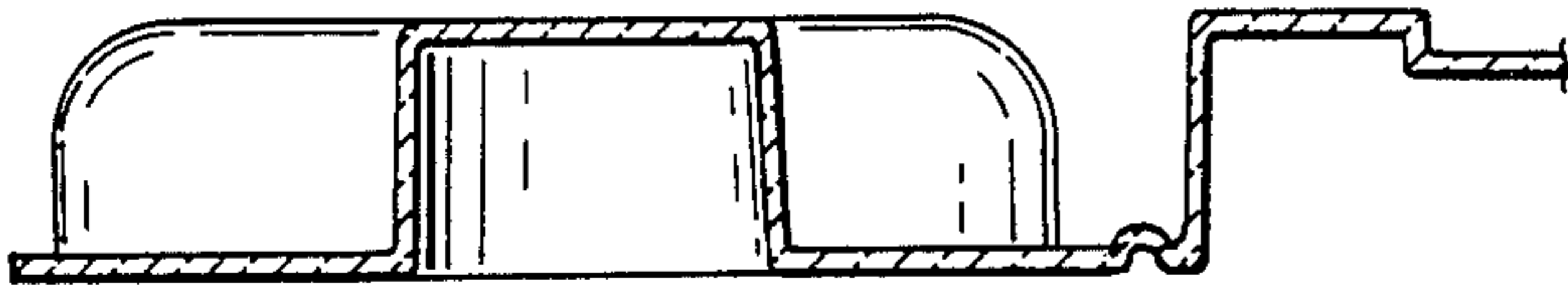


FIG. 10.

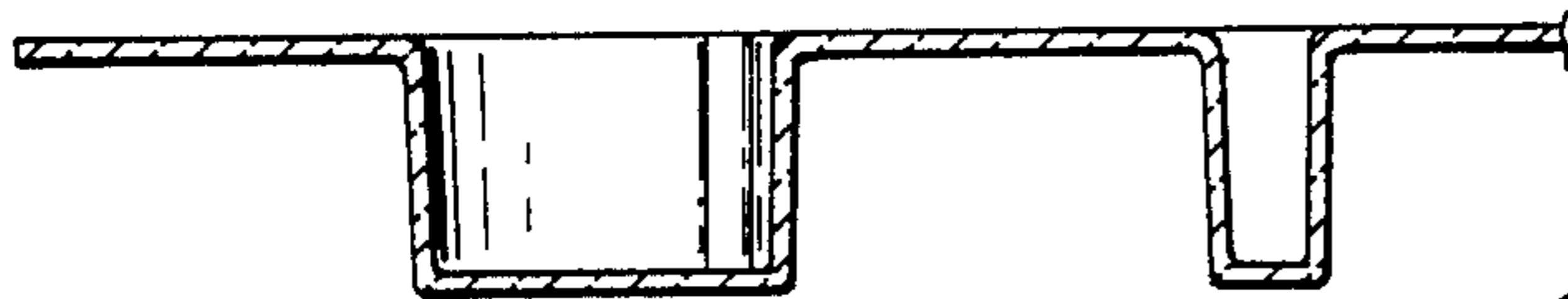


FIG. 11.

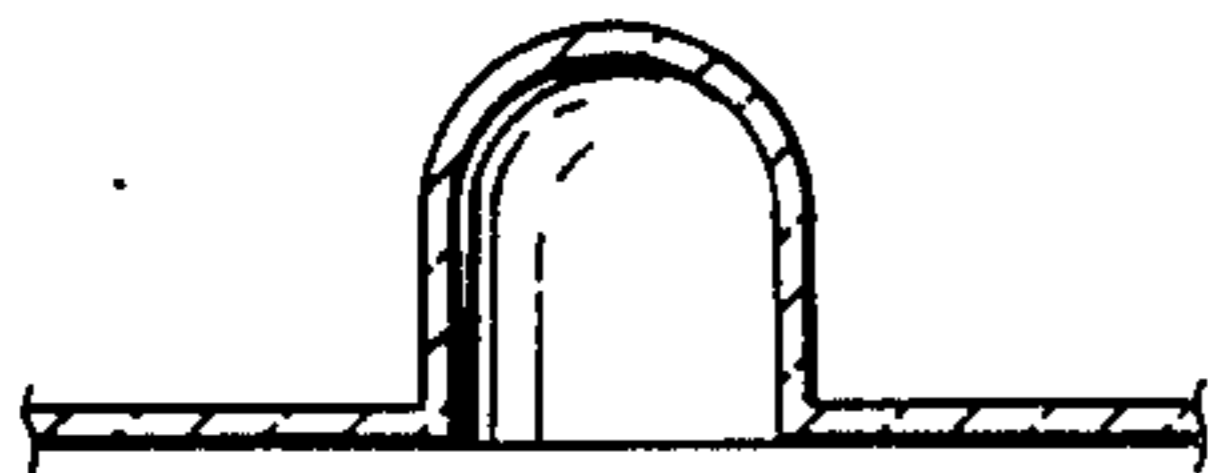


FIG. 9.

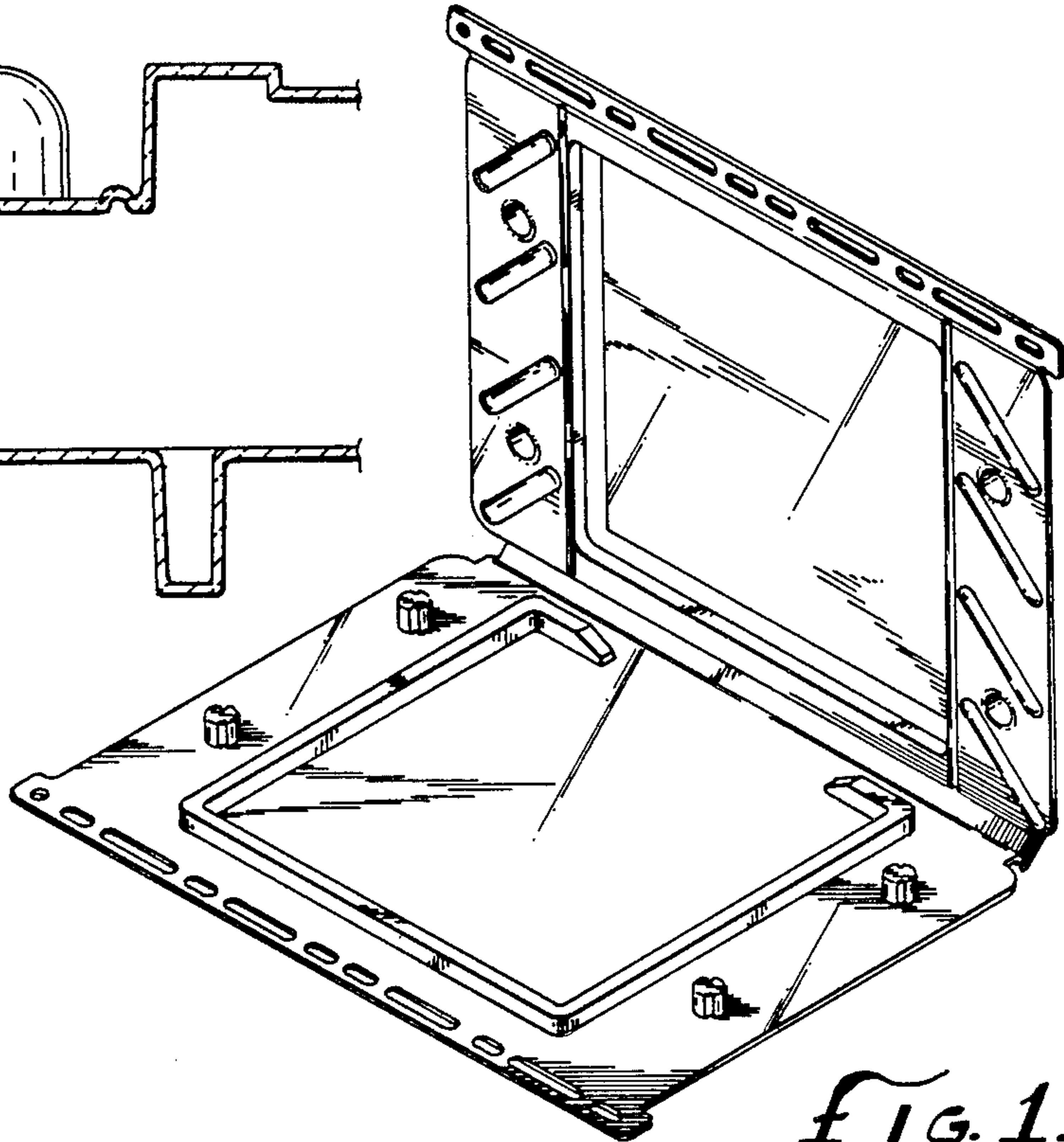


FIG. 1.

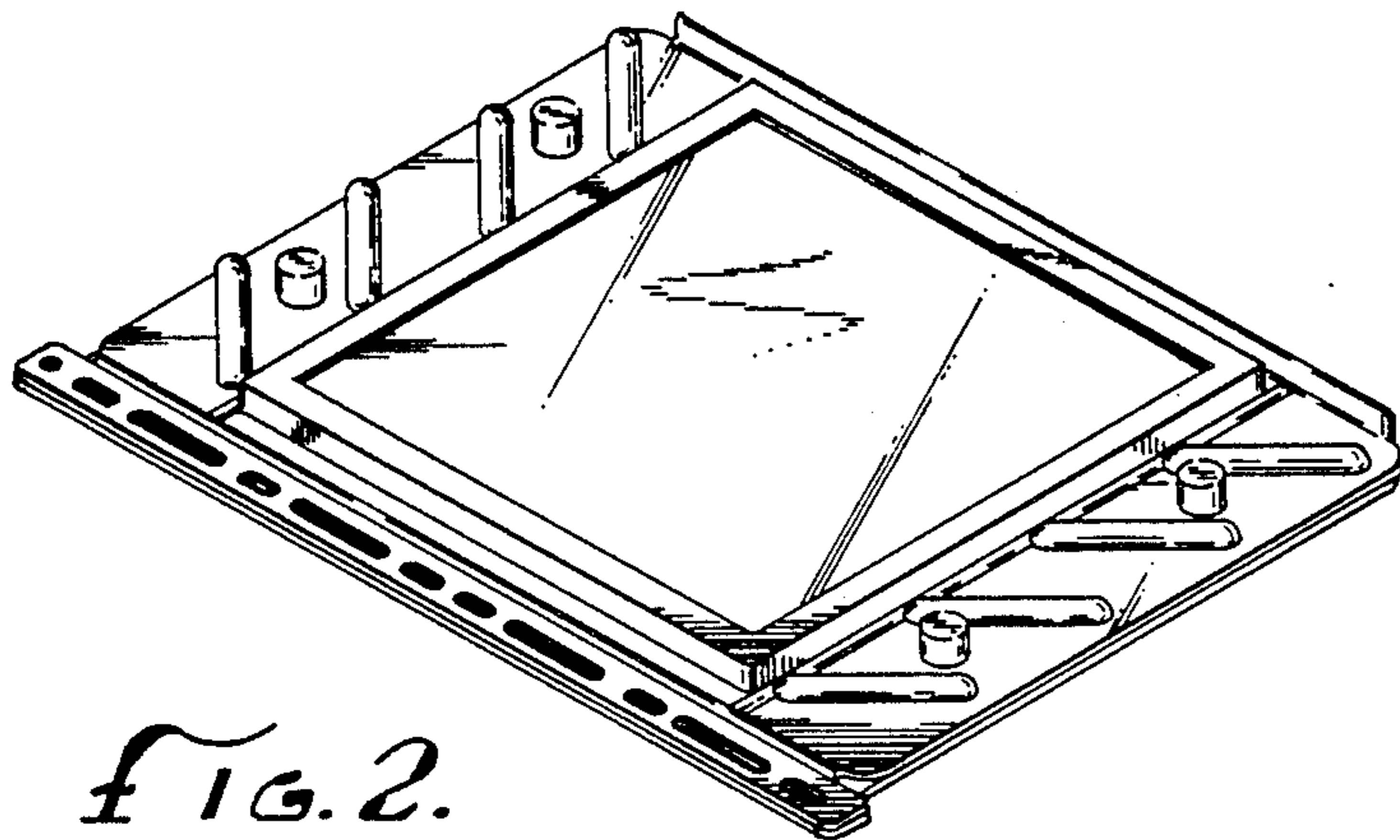


FIG. 2.

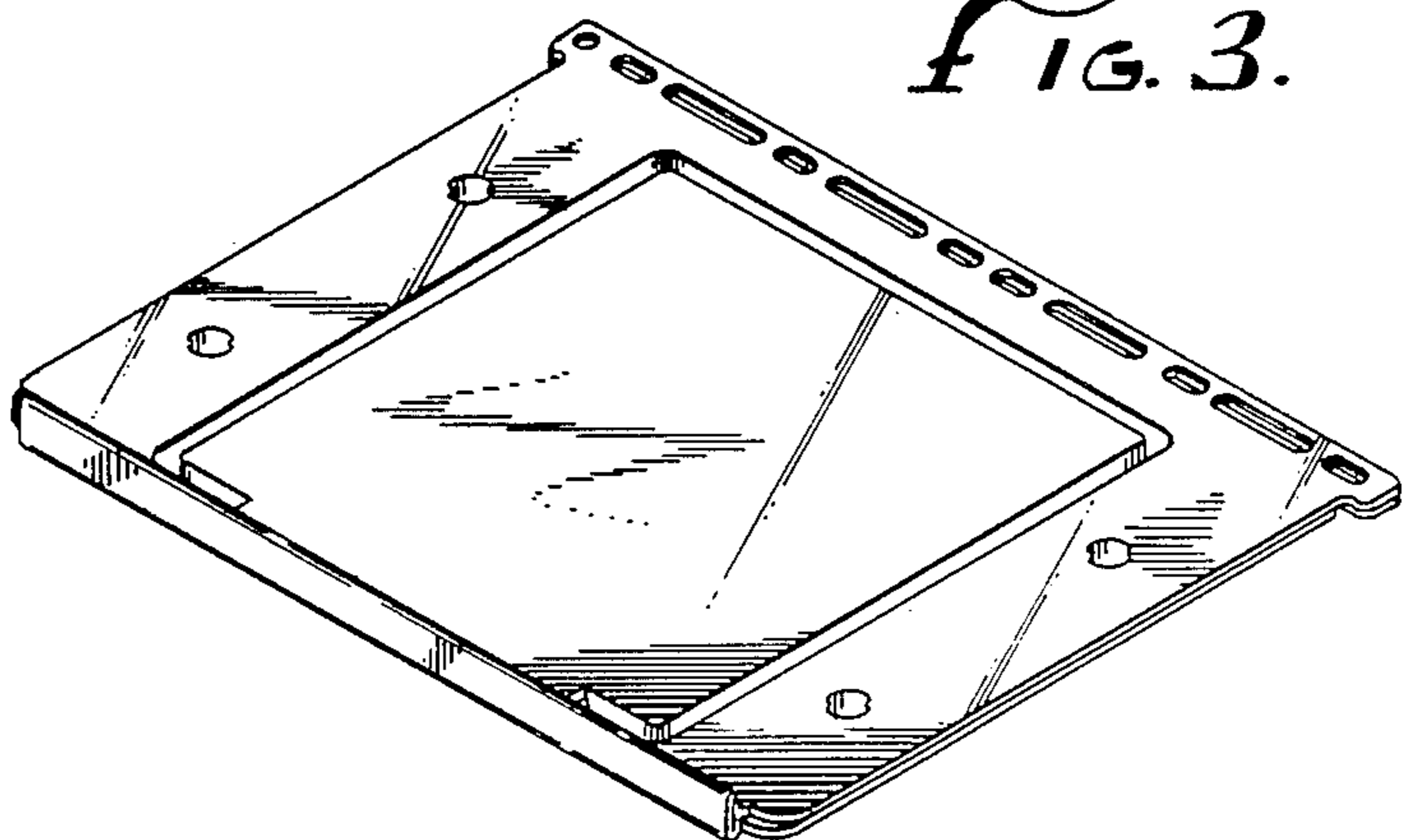


FIG. 3.

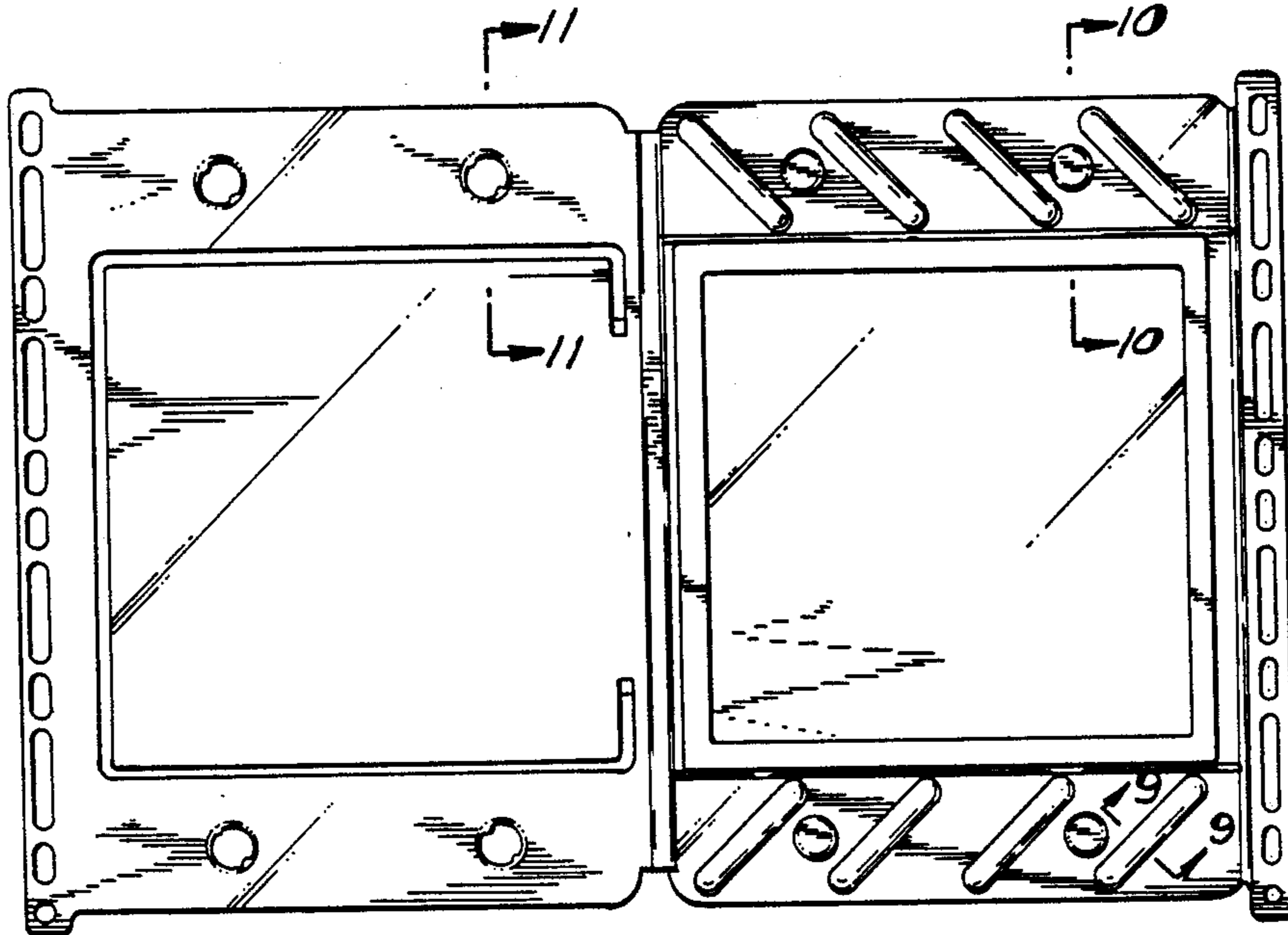


FIG. 4.

FIG. 6.



FIG. 5.

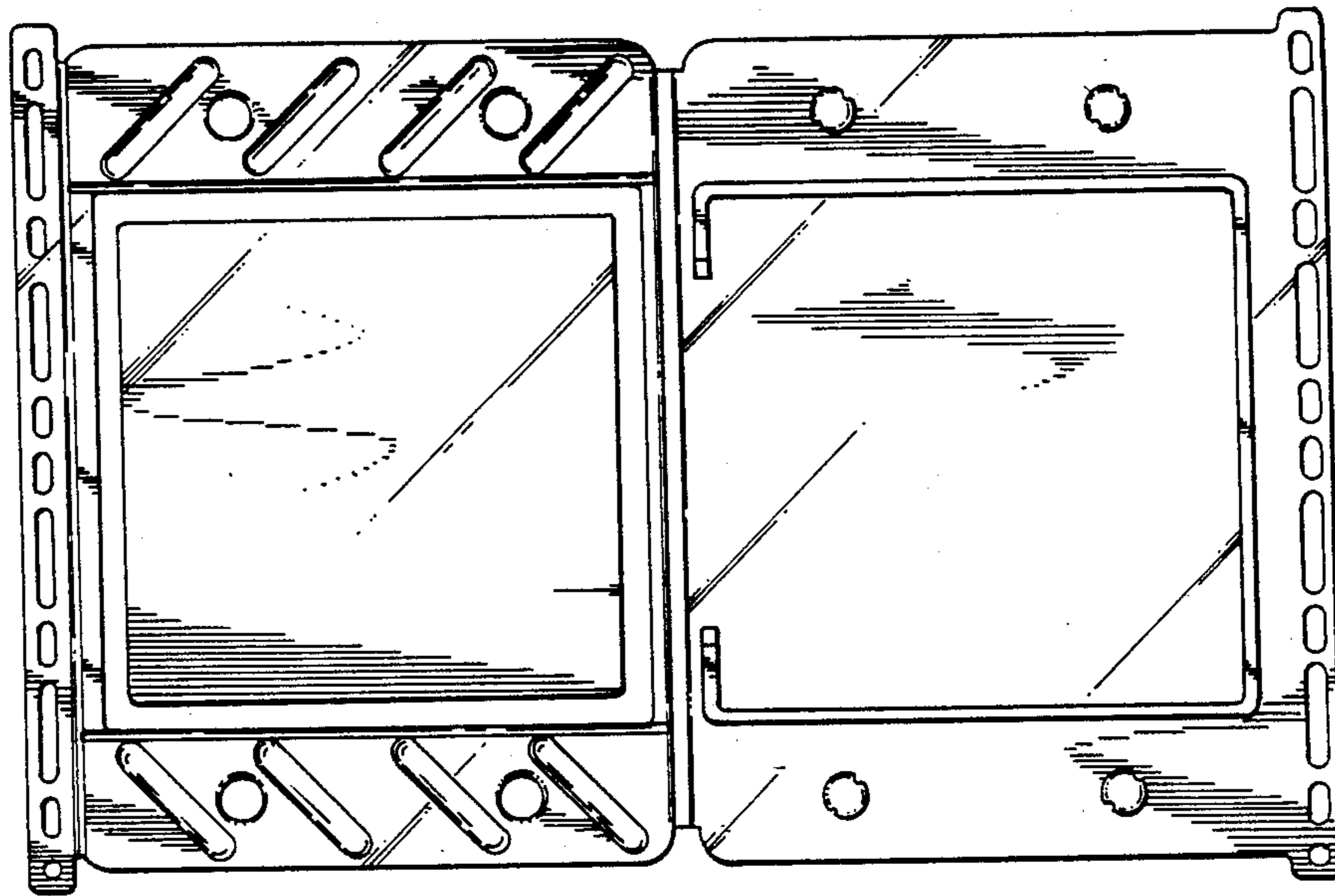


FIG. 7.

FIG. 8.

