

United States Patent [19]

Pastorok

[11] Patent Number: Des. 294

[45] Date of Patent: ** Mar. 1,

[54] **KEG CARRIER**

[76] Inventor: John F. Pastorok, 509 Monterey La.,
San Clemente, Calif. 92672

[**] Term: 14 Years

[21] Appl. No.: 740,573

[22] Filed: Jun. 3, 1985

[52] U.S. Cl. D3/30.1; D8/14

[58] Field of Search D3/30.1, 36-38;
D9/443; D12/128; D8/396, 14, 71; D34/28;
224/157; 294/81.1, 81.2, 81.21, 81.54, 81.6,
81.62, 31.2, 34, 15, 4, 137, 145

[56] **References Cited**

U.S. PATENT DOCUMENTS

4,645,224 2/1987 Poganski 294/15

FOREIGN PATENT DOCUMENTS

169222 3/1951 Austria

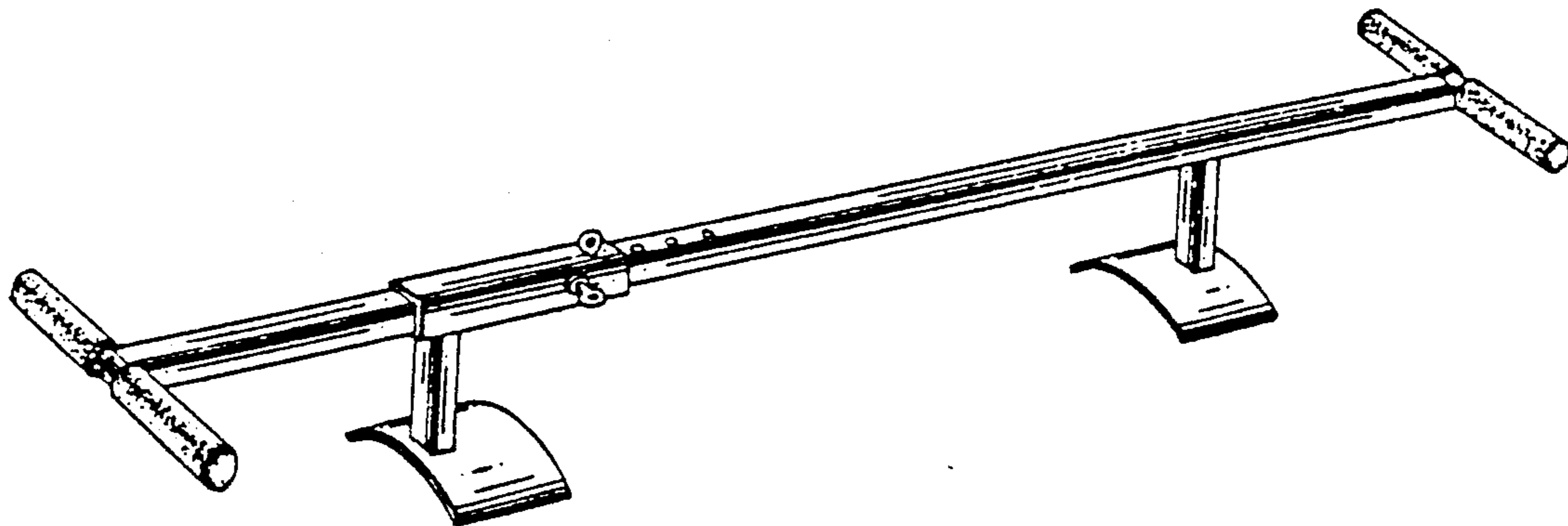
Primary Examiner—George P. Word
Attorney, Agent, or Firm—Francis X. LoJacono

[57] **CLAIM**

The ornamental design for a keg carrier, as shown and described.

DESCRIPTION

FIG. 1 is a perspective view of a keg carrier, showing my new design;
FIG. 2 is a side-elevational view thereof;
FIG. 3 is a bottom-plan view thereof; and
FIG. 4 is an enlarged cross-sectional view taken along line 4—4 of FIG. 2.



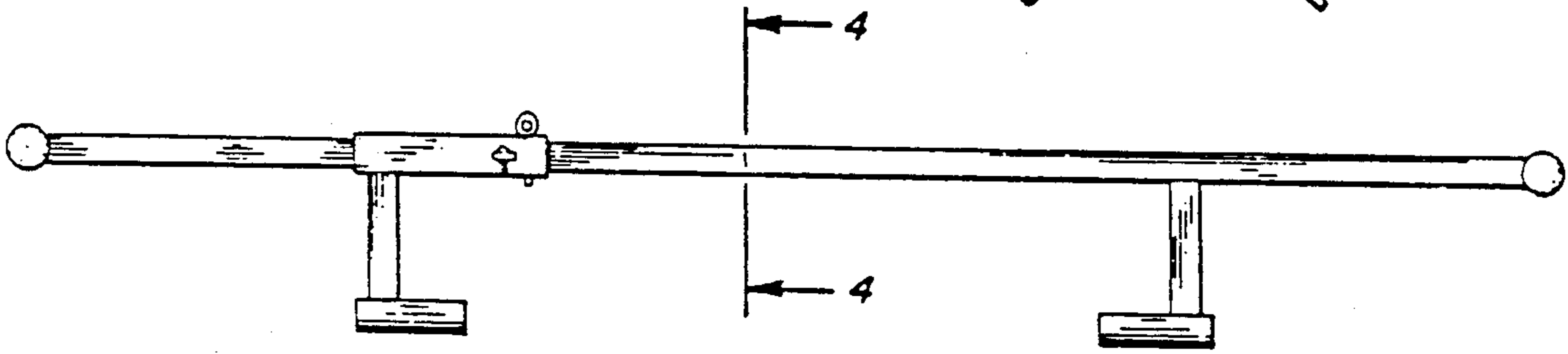
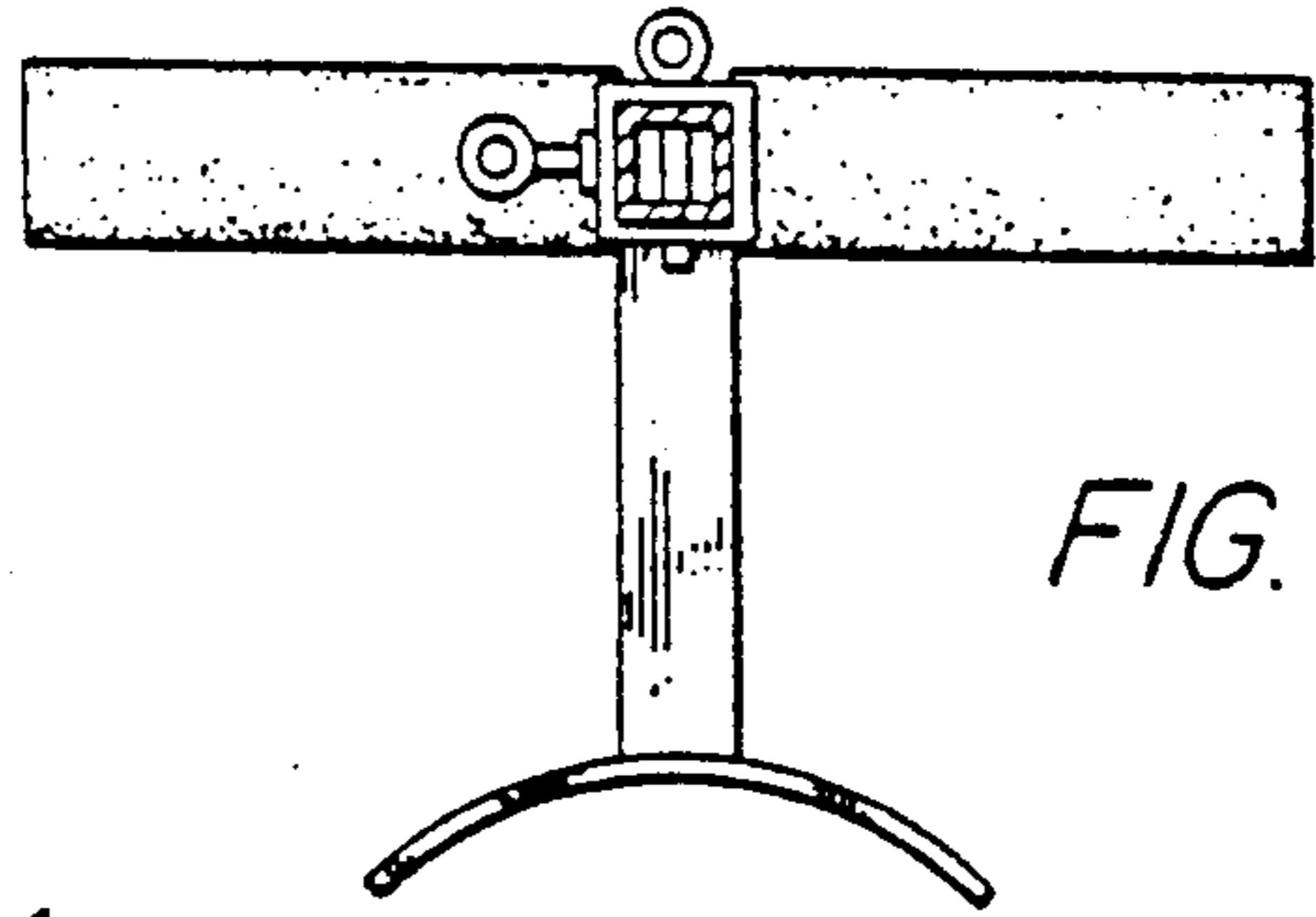
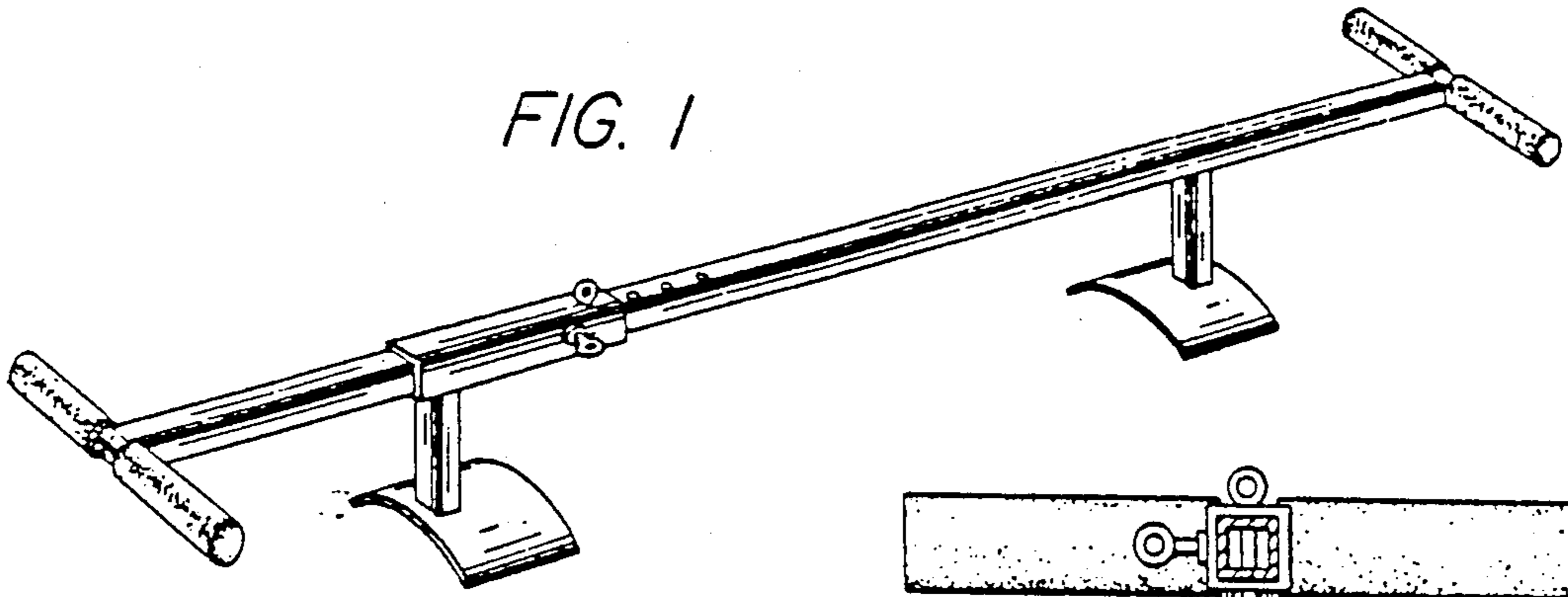


FIG. 2

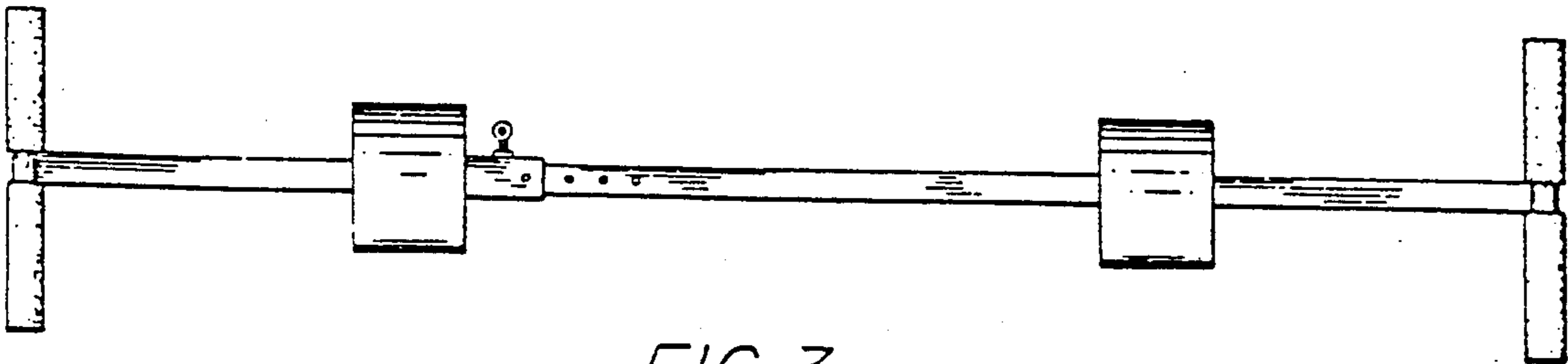


FIG. 3