

[54] SHOPPING CART

[75] Inventor: Houston Rehrig, Pasadena, Calif.

[73] Assignee: Rehrig International, Los Angeles, Calif.

[**] Term: 14 Years

[21] Appl. No.: 803,908

[22] Filed: Nov. 6, 1985

[52] U.S. Cl. D34/17

[58] Field of Search D34/12, 17-23;
280/33.99 R, 33.99 H, 33.99 A, 33.99 B, 33.99
C, 33.99 F, 33.99 S

[56]

References Cited

U.S. PATENT DOCUMENTS

4,123,077 10/1978 Joseph 280/33.99 R
4,555,123 11/1985 Rehrig 280/33.99 C
4,632,411 12/1986 Badger 280/33.99 R

Primary Examiner—James M. Gandy

Assistant Examiner—Kay H. Chin

[57]

CLAIM

The ornamental design for a shopping cart, as shown and described.

DESCRIPTION

FIG. 1 is a left side elevation view of a shopping cart, showing my new design, the right side elevation view being a mirror image of that shown;

FIG. 2 is a top plan view thereof.

FIG. 3 is a front elevation view thereof.

FIG. 4 is a rear elevation view thereof.

FIG. 5 is a front perspective view thereof.

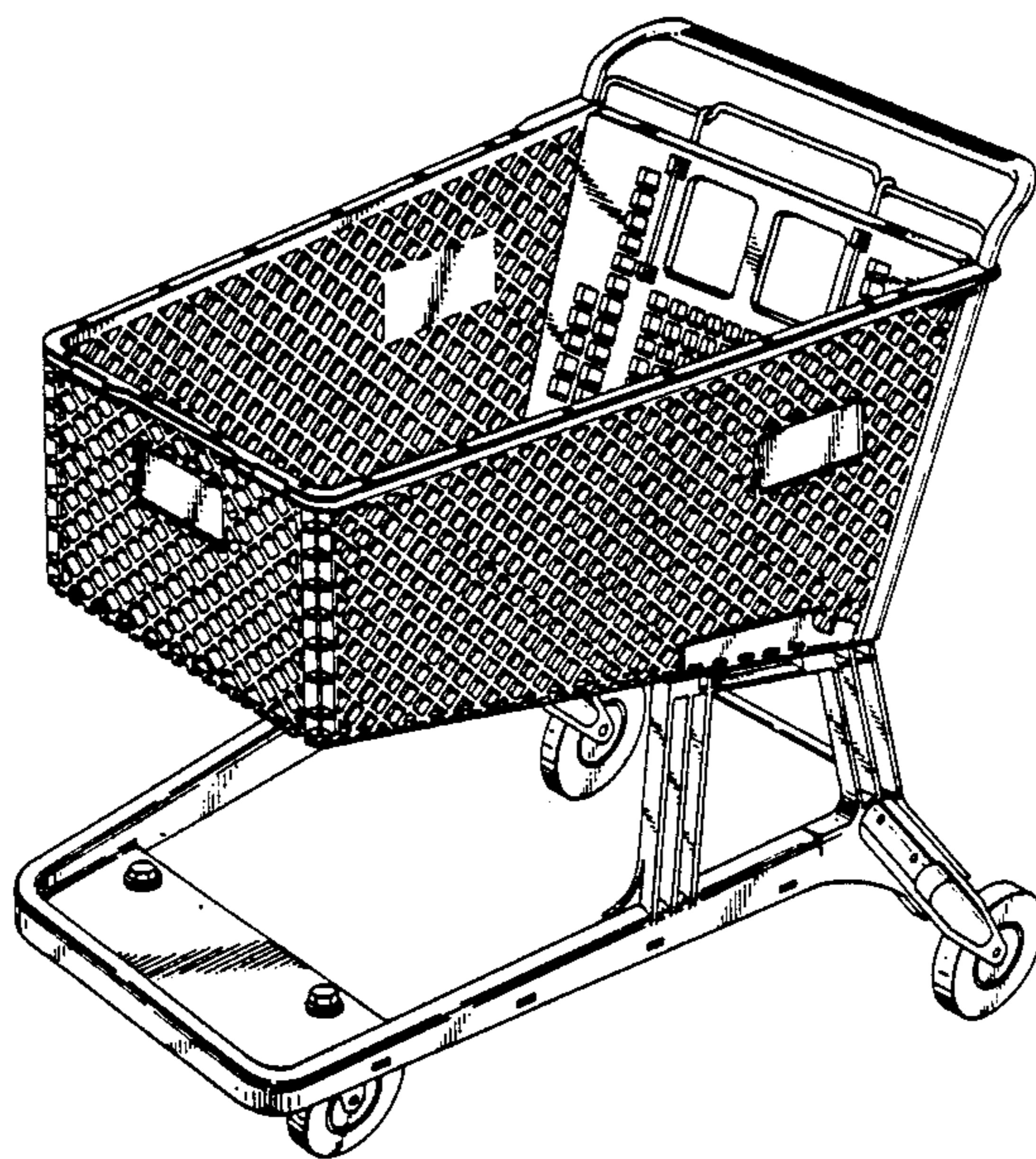


FIG. 1

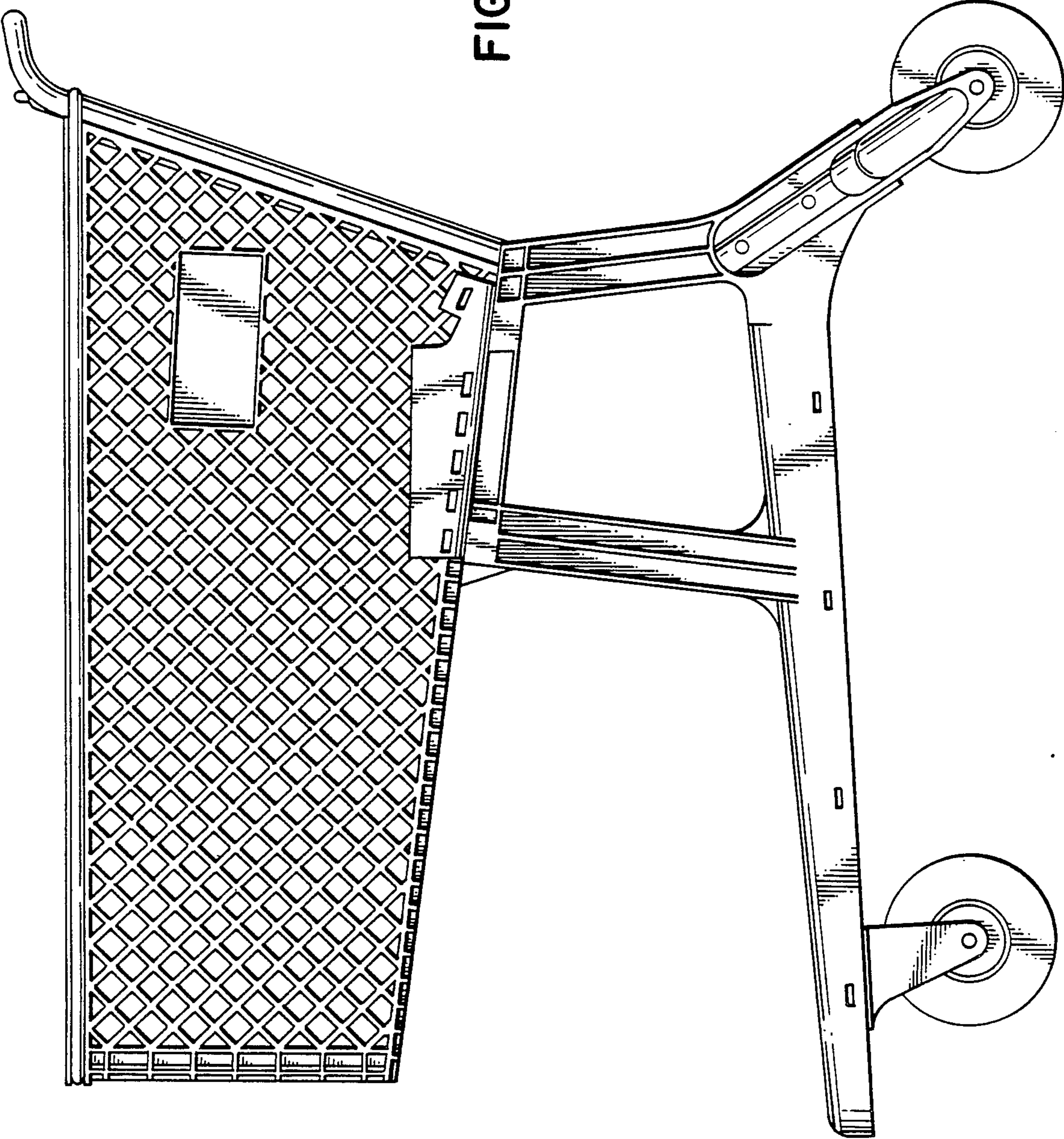
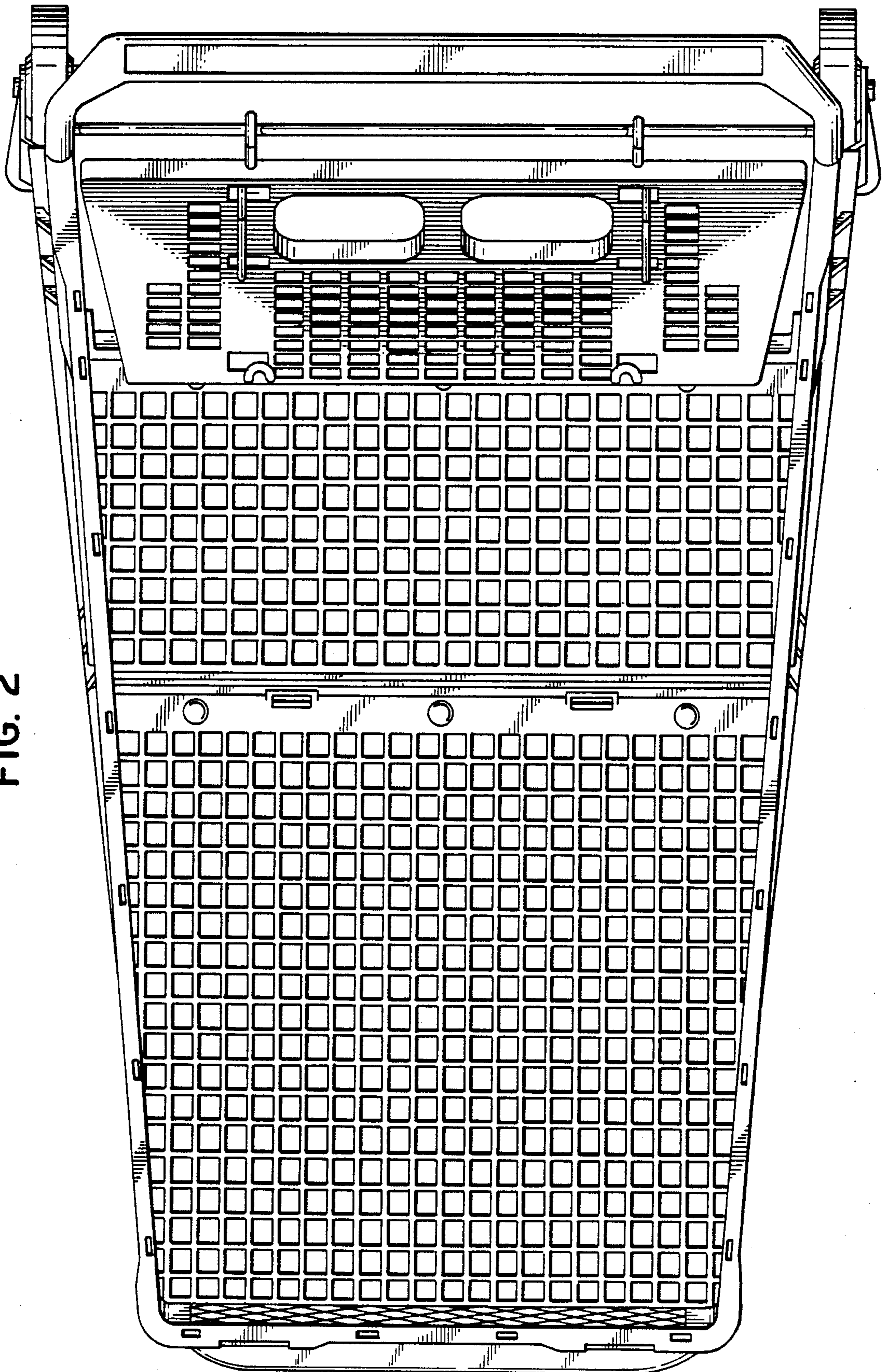


FIG. 2



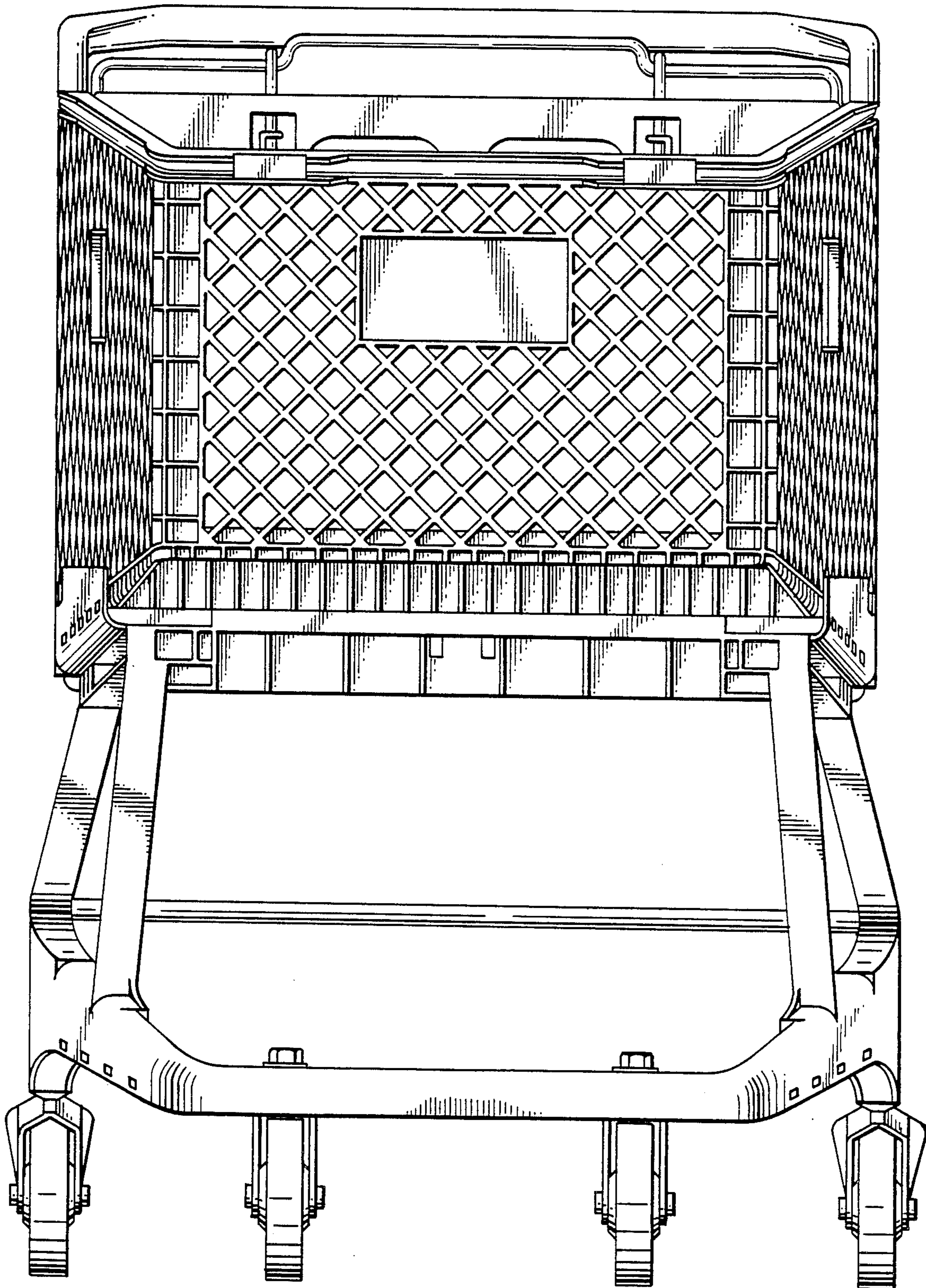


FIG. 3

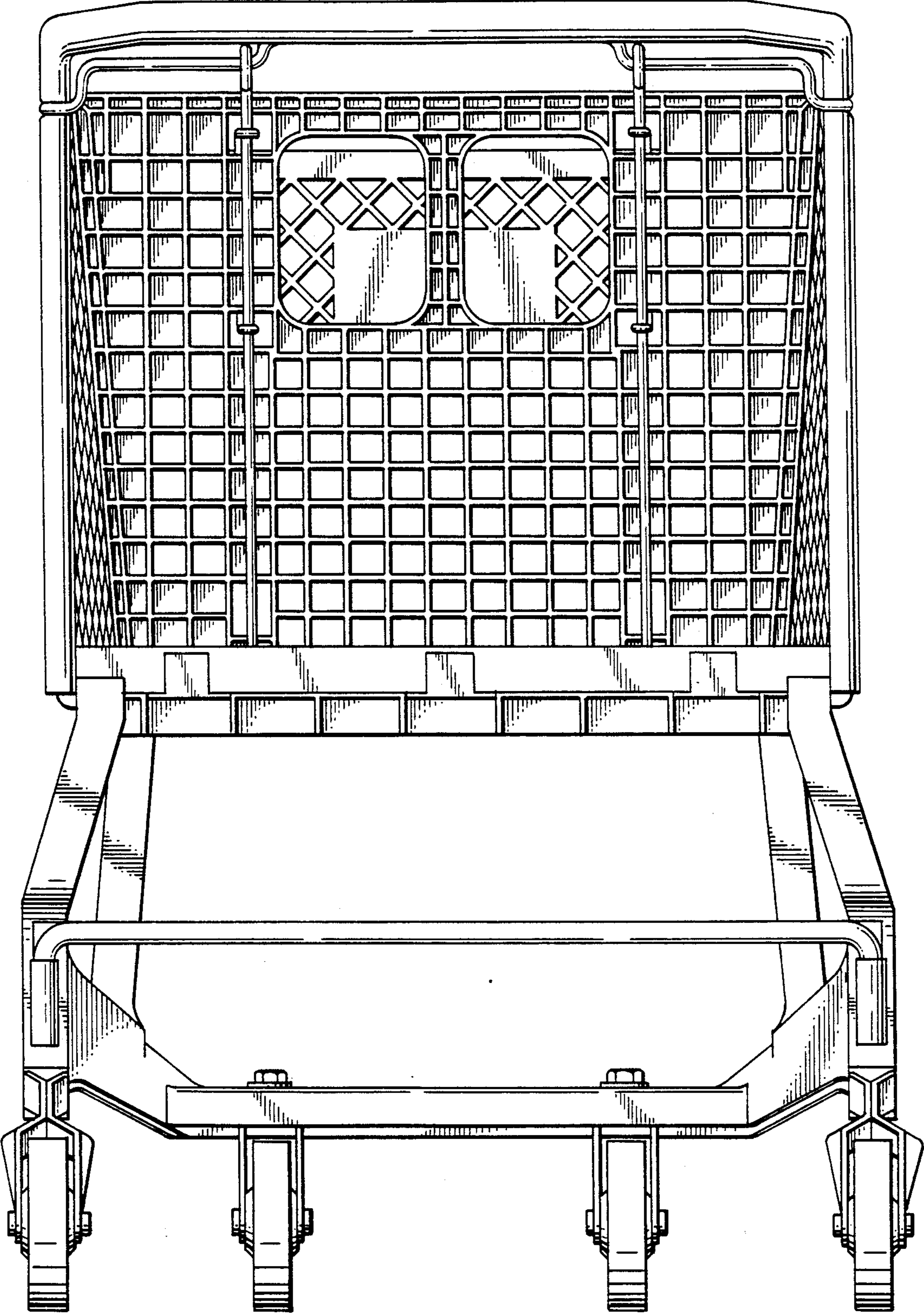


FIG. 4

FIG. 5

