

[54] ELECTRIC IRON

[75] Inventor: Raymond J. Schmitz, South Barrington, Ill.

[73] Assignee: Sears, Roebuck & Co., Chicago, Ill.

[\*\*] Term: 14 Years

[21] Appl. No.: 864,128

[22] Filed: May 16, 1986

[52] U.S. Cl. .... D32/70

[58] Field of Search ..... D32/68-72;  
38/69, 74, 75, 77.1-77.9, 88, 94, 96, 142;  
219/245-259, 271-276

D. 217,833	6/1970	Terrell .	
D. 240,997	8/1976	Julkenbeck .....	D32/70
D. 285,376	8/1986	Stutzer et al. ....	D32/70
D. 286,215	10/1986	Pataki .....	D32/70
649,912	5/1900	Clark .	
1,998,313	4/1935	Fingerhart .	
2,013,854	9/1935	Ruelland .	
2,180,399	11/1939	Clark .	
2,241,067	5/1941	Holm-Hansen .	
2,249,620	7/1941	Samuels .	
2,324,226	7/1943	Murphy .	
2,479,429	8/1949	Swenson .	
2,639,520	5/1953	Anderson .	
2,639,521	5/1953	Rickettson .	
3,308,566	3/1967	Jepson et al. .	
3,413,741	12/1968	Schwartz, Jr. et al. .	

[56] References Cited

U.S. PATENT DOCUMENTS

D. 56,032	8/1920	Rososczuk .	
D. 98,165	1/1936	Jepson .	
D. 112,195	11/1938	Huffman .	
D. 114,092	4/1939	Scharfenberg .	
D. 121,164	6/1940	Kuhn et al. .	
D. 121,631	7/1940	Davis .	
D. 122,271	9/1940	Ketcham .	
D. 122,874	10/1940	Krasnikov .	
D. 125,892	3/1941	Jackson .	
D. 127,507	5/1941	Russell .	
D. 132,154	4/1942	Russell .	
D. 146,433	3/1947	Polivka et al. .	
D. 146,517	3/1947	Nieboer .....	D32/70
D. 146,705	4/1947	Denning .....	D32/70
D. 154,984	8/1949	Binggely et al. .	
D. 155,598	10/1949	Gerber .	
D. 199,146	9/1964	Reed .	

OTHER PUBLICATIONS

P. 1165, Sears, Roebuck & Co. 1985 Fall Winter Catalog.

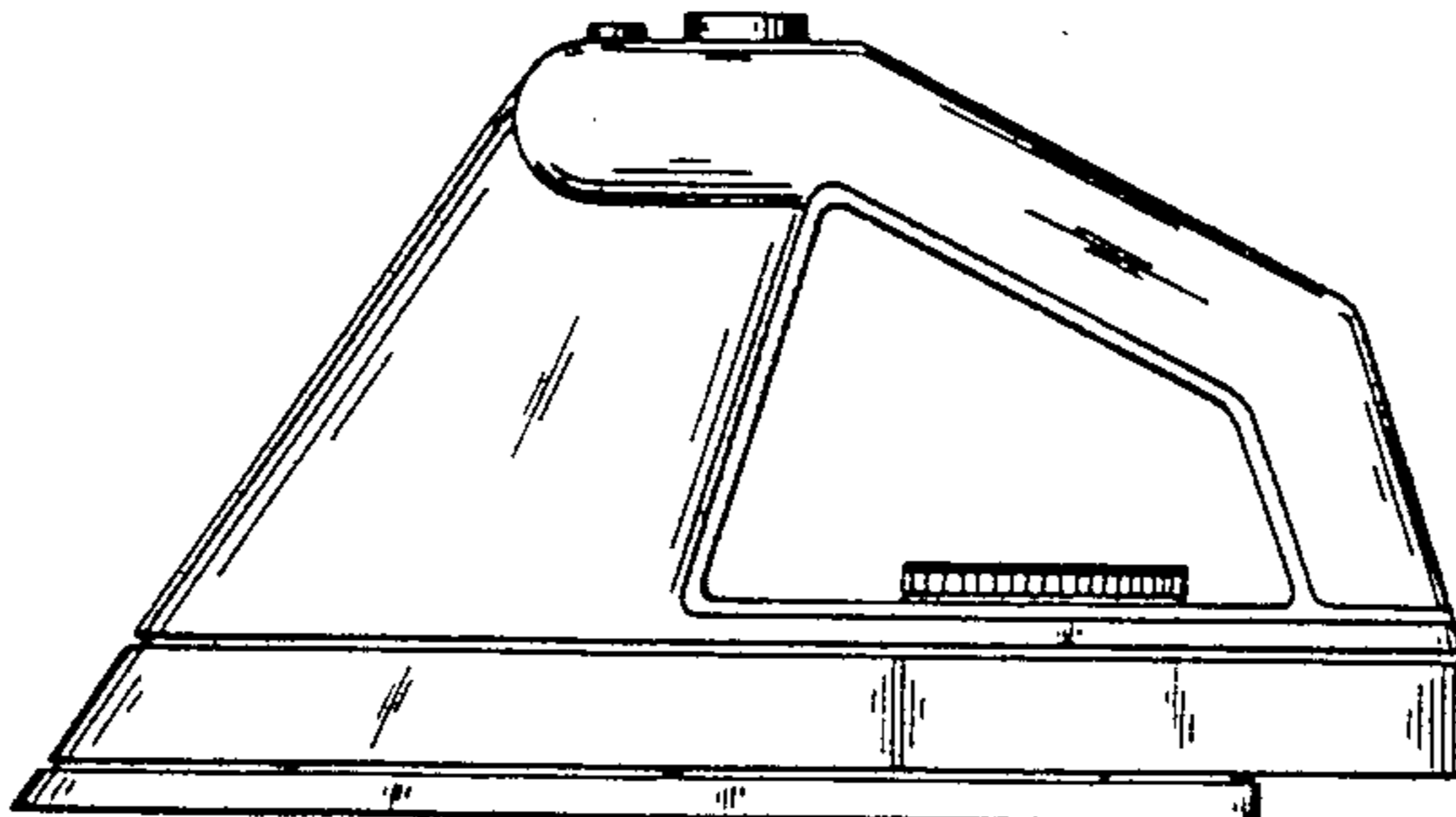
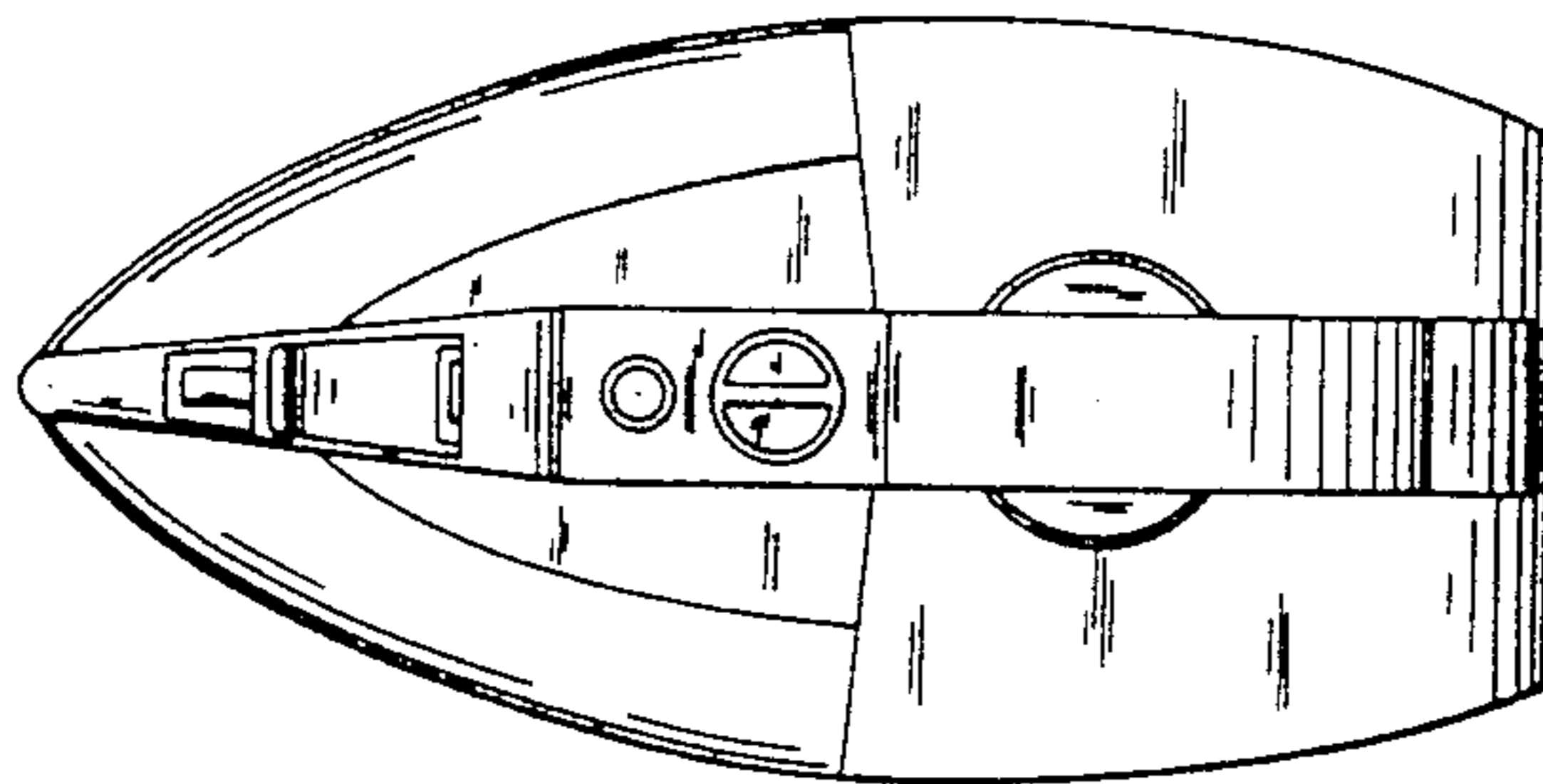
Primary Examiner—Catherine E. Kemper  
Attorney, Agent, or Firm—Wood, Dalton, Phillips, Mason & Rowe

[57] CLAIM

The ornamental design for an electric iron, as shown and described.

DESCRIPTION

FIG. 1 is a side elevational view of an electric iron showing my new design;  
FIG. 2 is a top plan view thereof;  
FIG. 3 is a front elevational view thereof;  
FIG. 4 is a rear elevational view thereof; and  
FIG. 5 is a bottom plan view thereof.



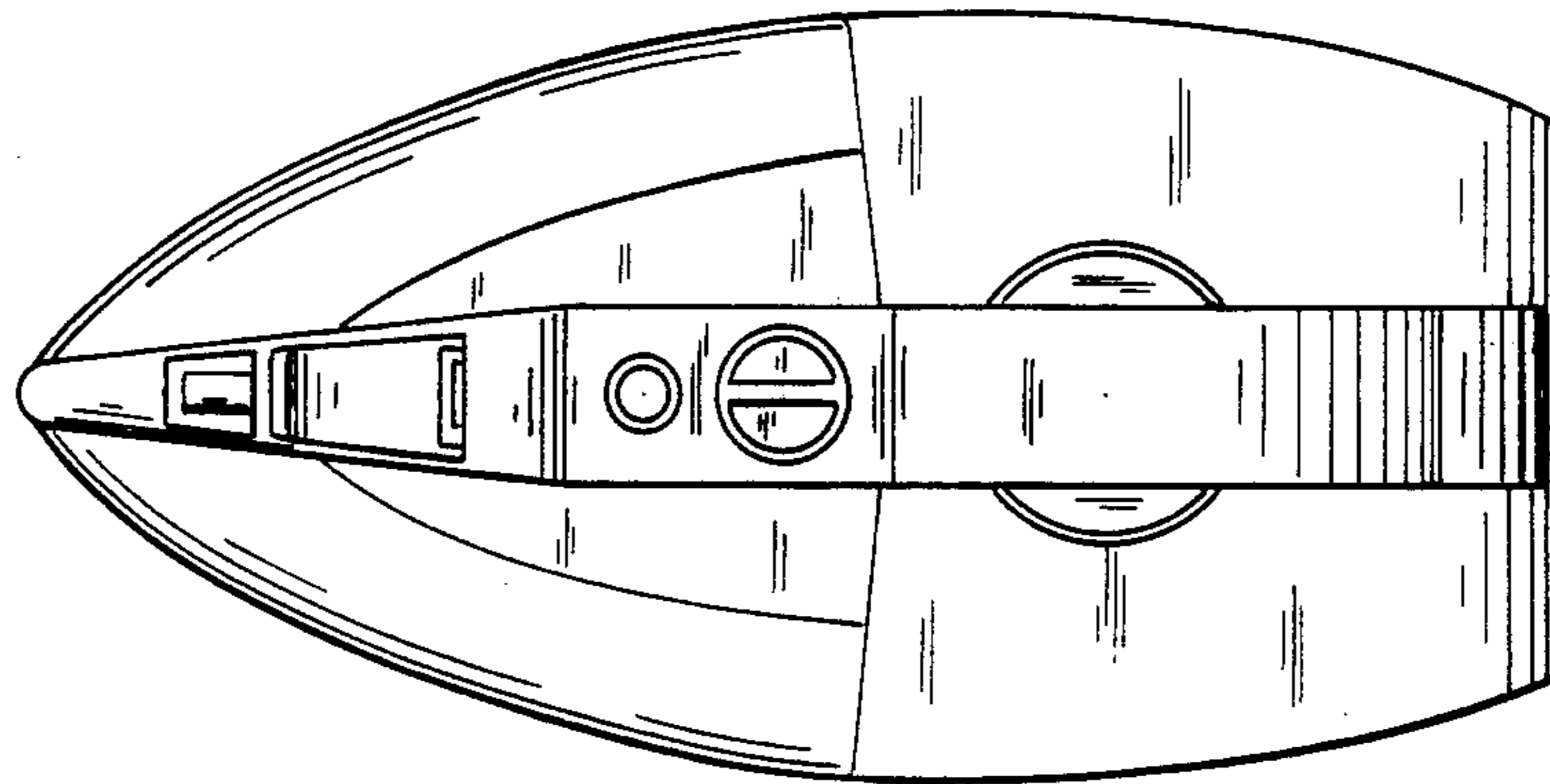


FIG. 2

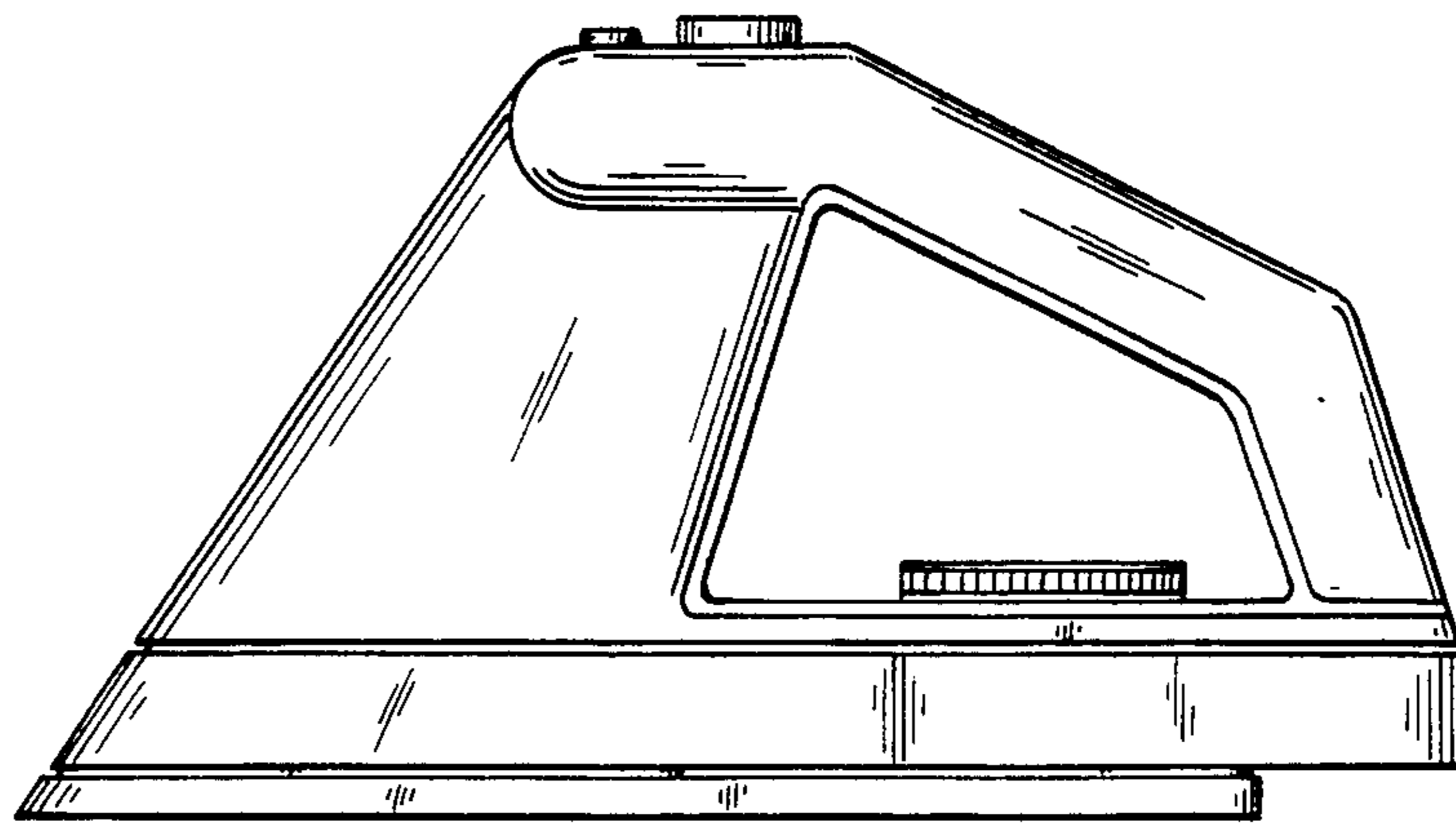


FIG. 1

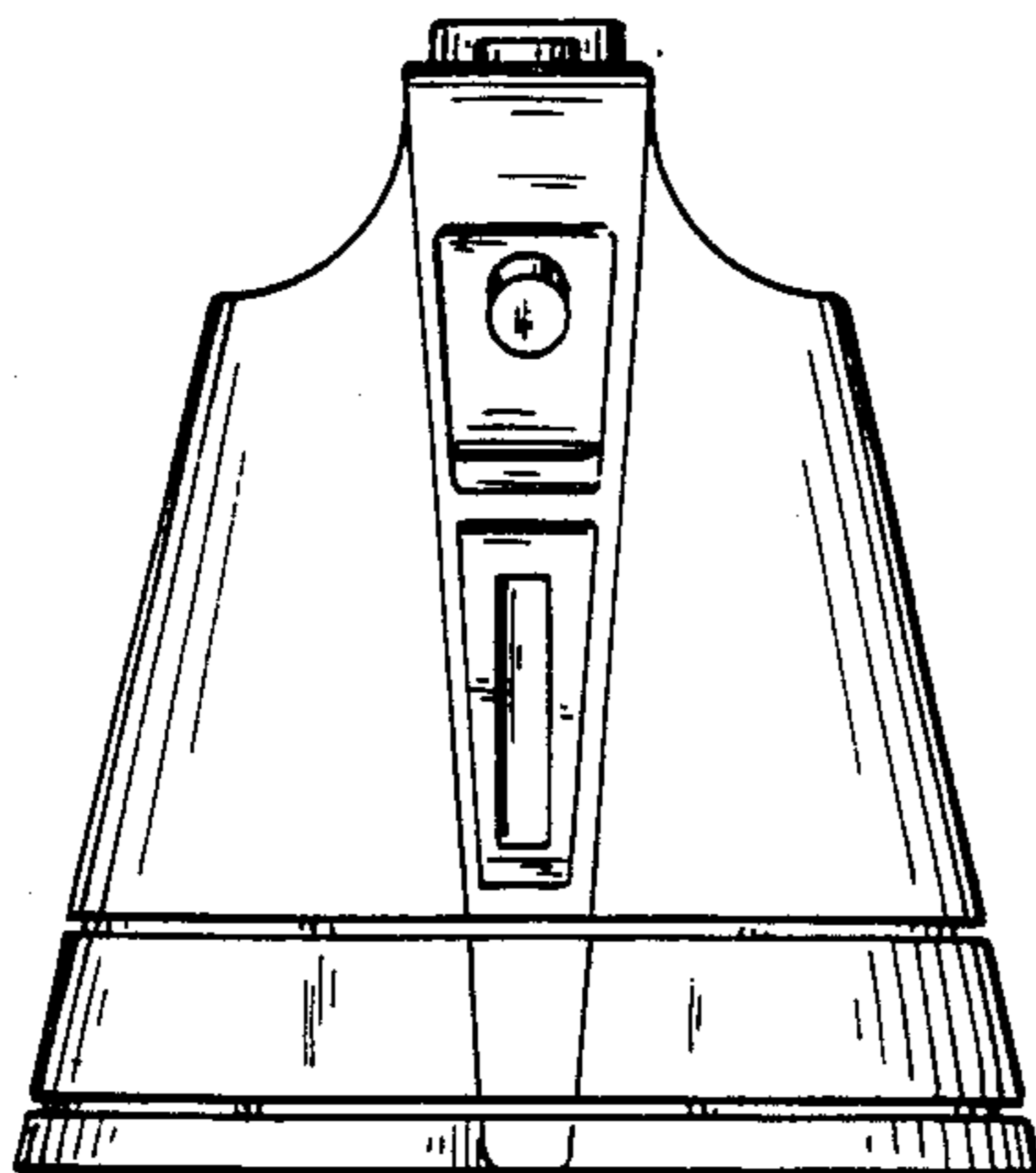


FIG. 3

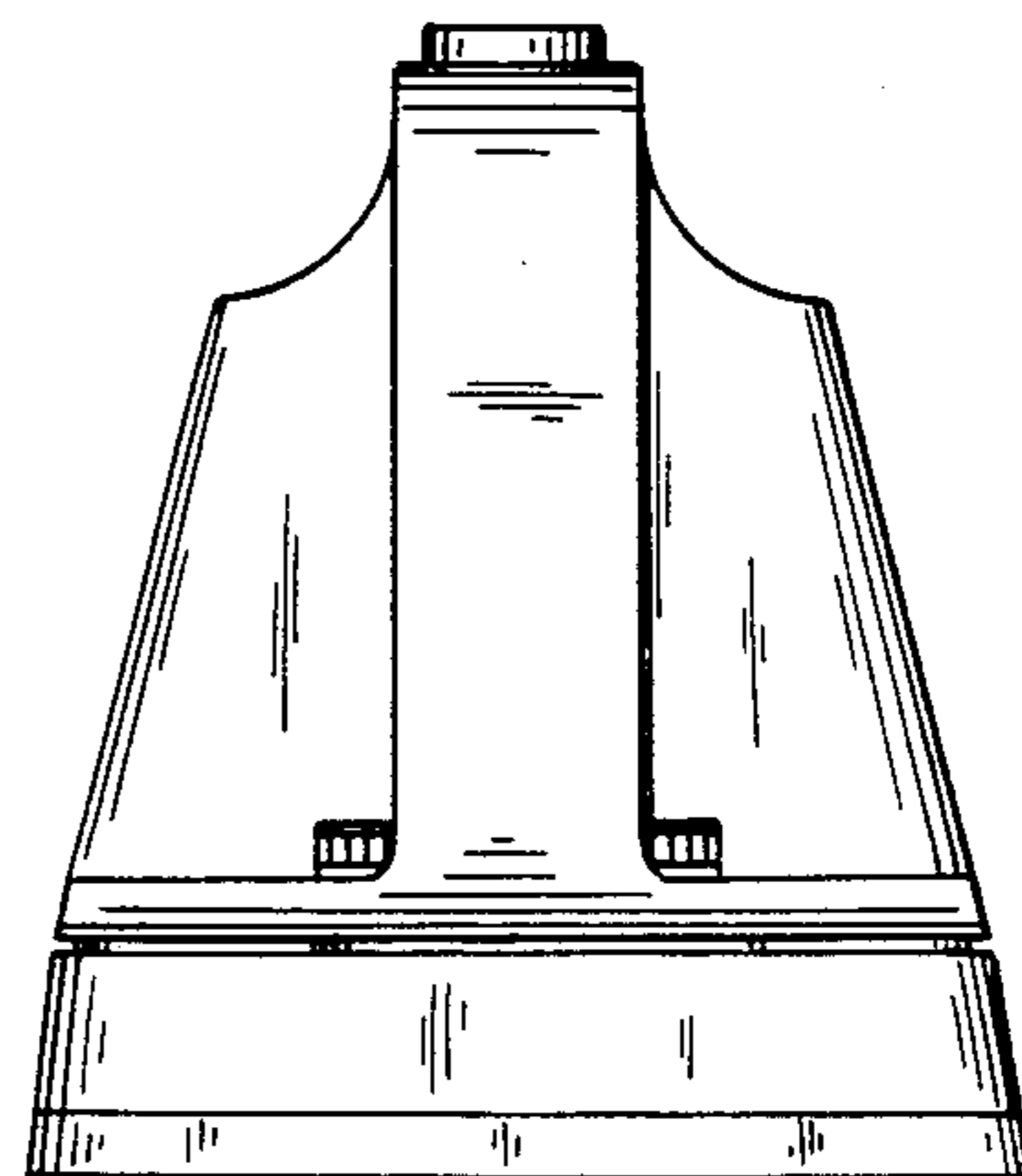


FIG. 4

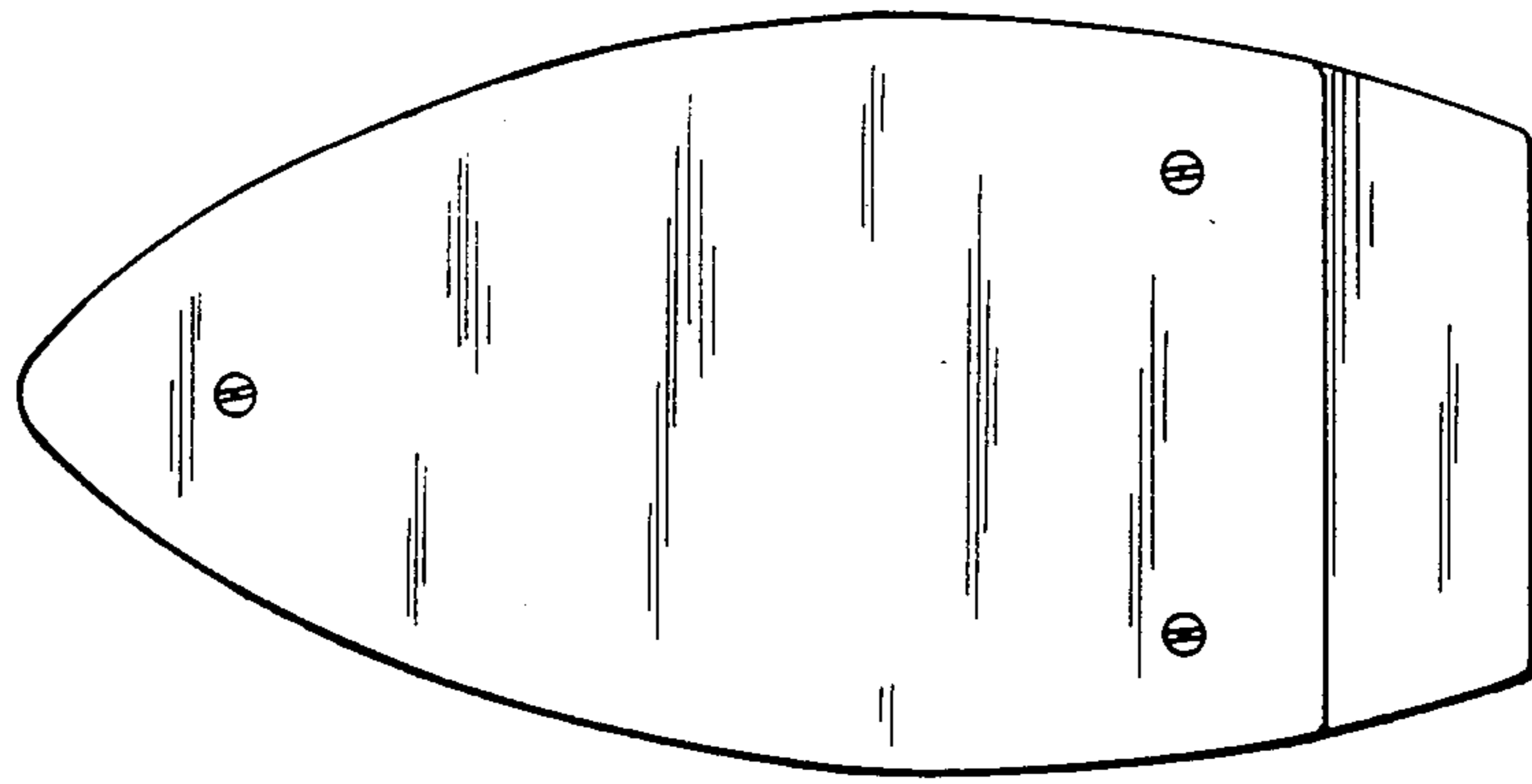


FIG. 5