

# United States Patent [19]

Jones

[11] Patent Number: **Des. 294,415**

[45] Date of Patent: **\*\* Feb. 23, 1988**

[54] **BUTTERFLY SPONGE MOP HEAD**

[75] Inventor: **David A. Jones, Dayton, Ohio**

[73] Assignee: **The Drackett Company, Cincinnati, Ohio**

[\*\*] Term: **14 Years**

[21] Appl. No.: **852,915**

[22] Filed: **Apr. 16, 1986**

[52] U.S. Cl. .... **D32/44; D32/50**

[58] Field of Search ..... **D32/44, 50; 15/116 R, 15/116 A, 119 R, 119 A, 147, 244**

[56] **References Cited**

### U.S. PATENT DOCUMENTS

2,643,407 6/1953 Vosbikian et al. .... 15/119 A  
2,670,488 3/1954 Richards et al. .... 15/119 A

2,877,478 3/1959 Kohlwey et al. .... D32/50 X  
2,883,689 4/1959 Vosbikian et al. .... 15/119 A  
4,044,419 8/1977 Robinson ..... 15/119 A

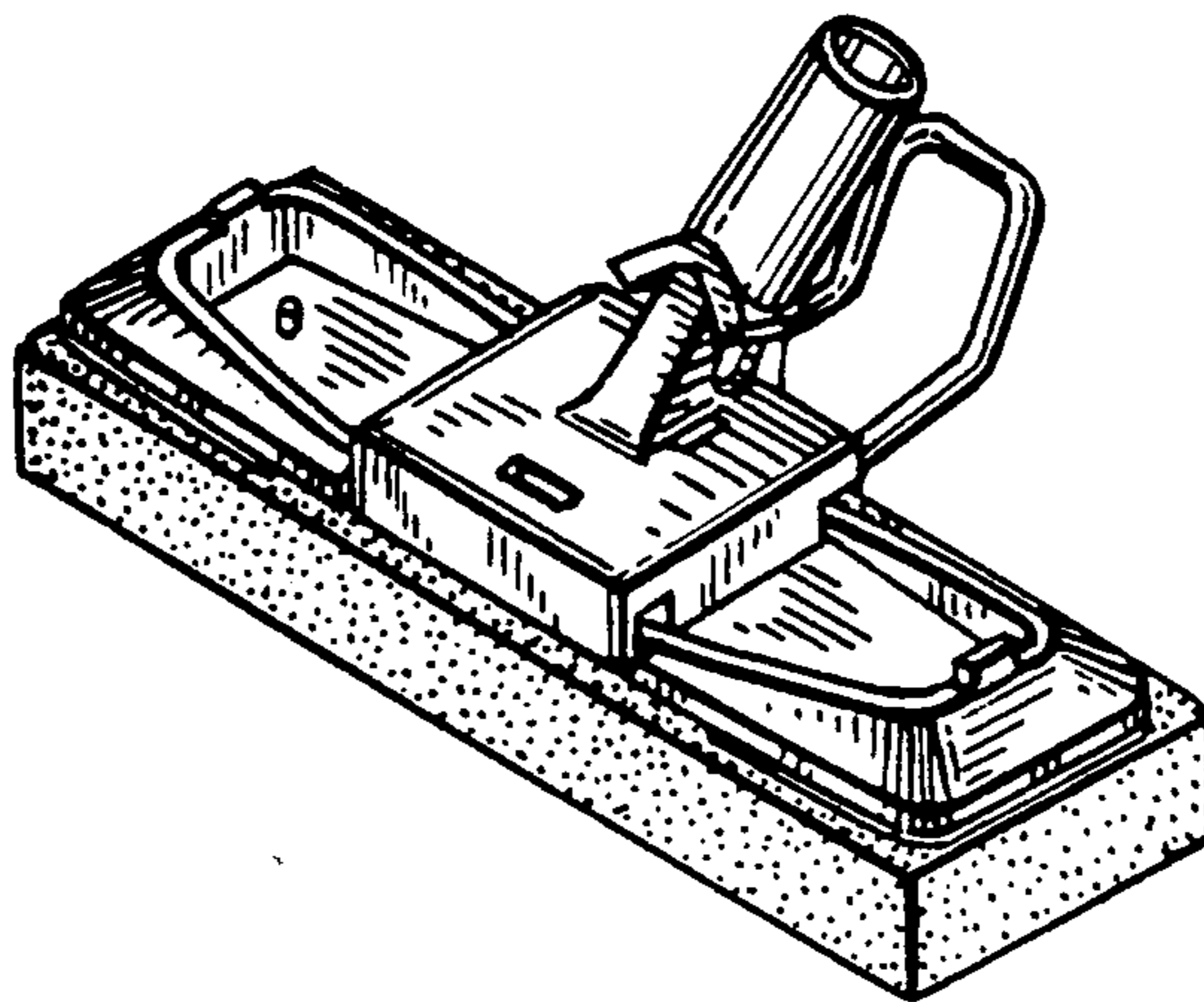
*Primary Examiner*—Catherine E. Kemper  
*Attorney, Agent, or Firm*—Gene Warzecha

### [57] CLAIM

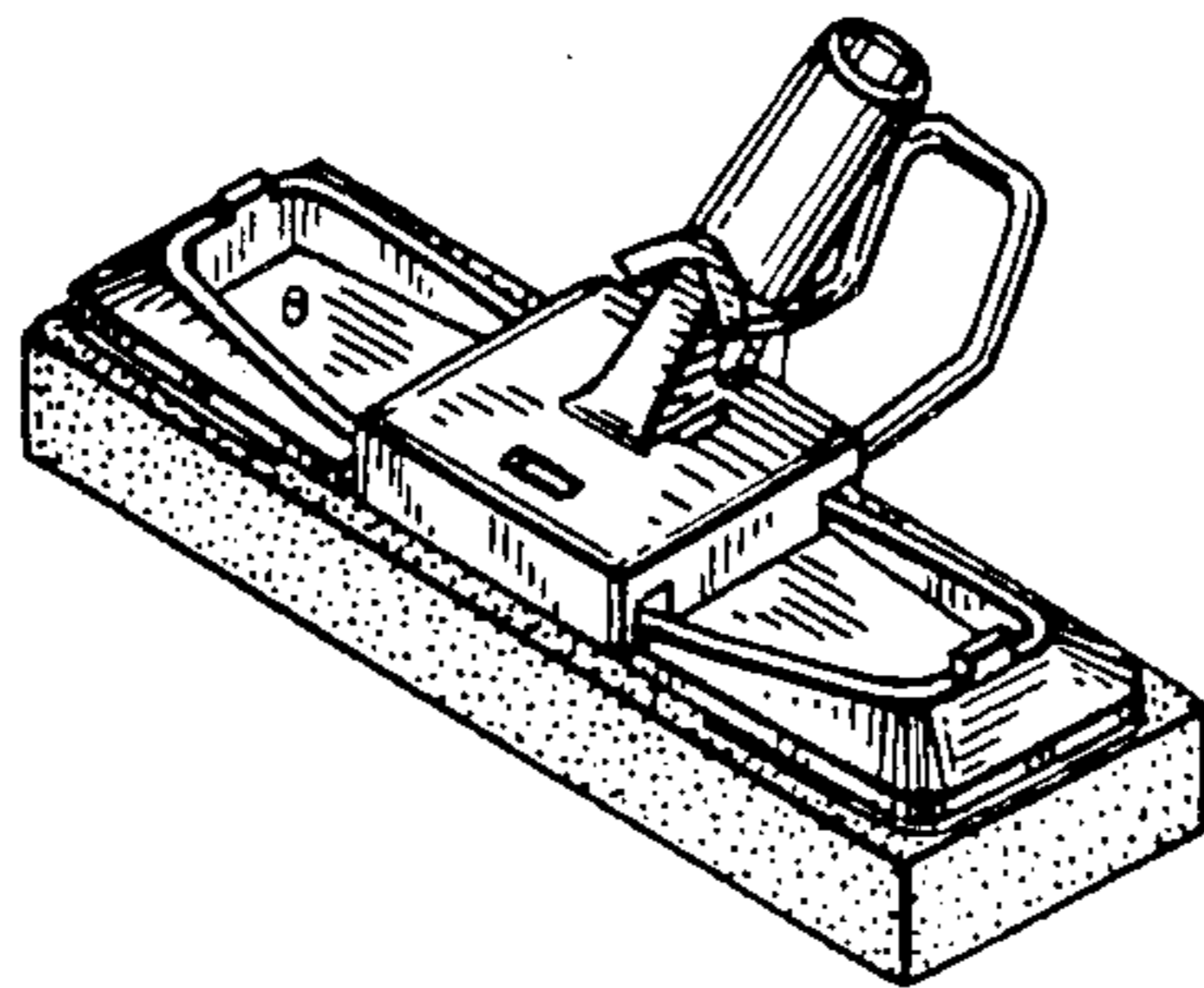
The ornamental design for a butterfly sponge mop head, as shown and described.

### DESCRIPTION

FIG. 1 is a front perspective view of a butterfly sponge mop head, showing my new design;  
FIG. 2 is a top plan view thereof.  
FIG. 3 is a front elevational view thereof.  
FIG. 4 is a left side elevational view thereof.  
FIG. 5 is a bottom plan view thereof.  
FIG. 6 is a rear elevational view thereof.



*FIG. 1*



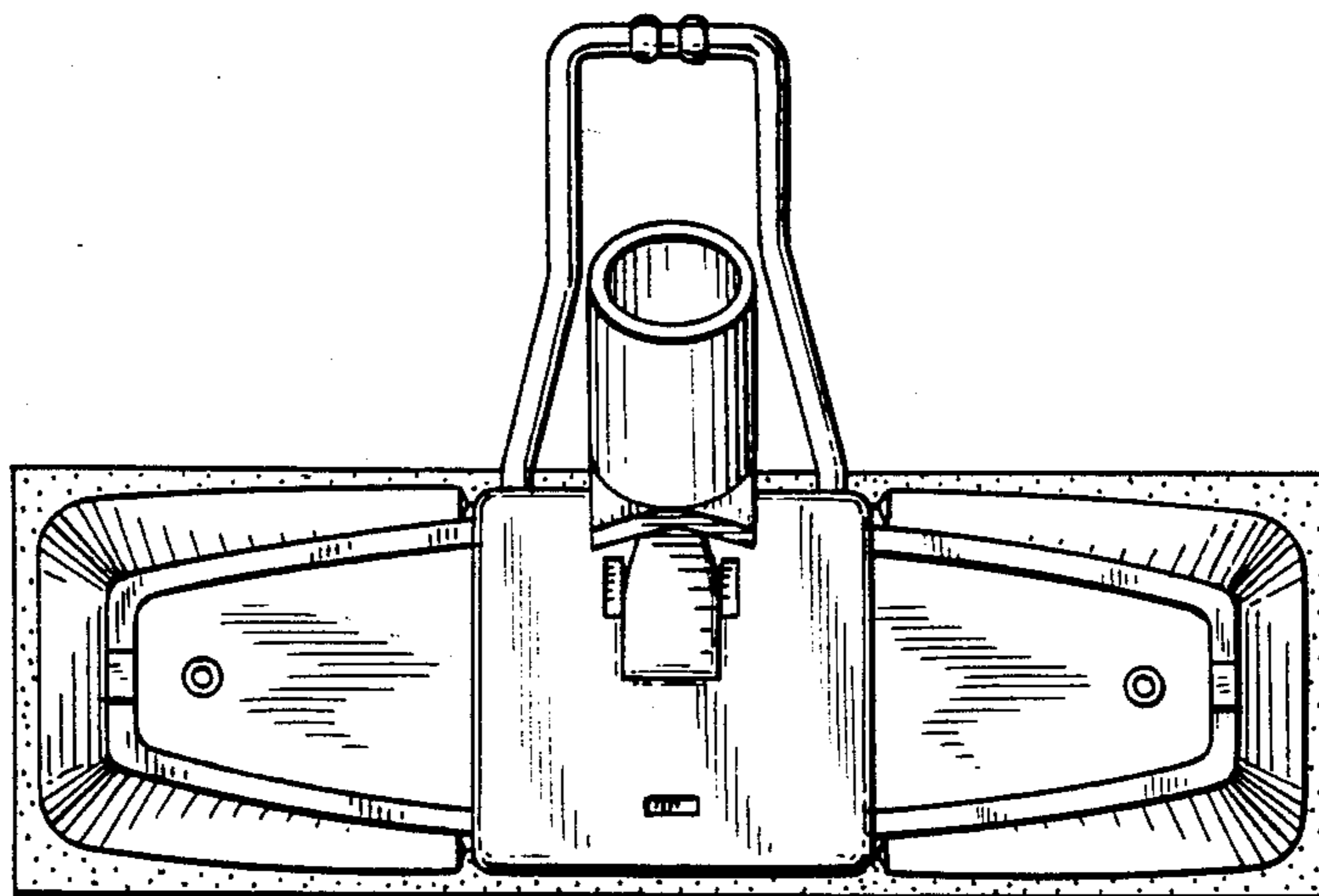


FIG. 2

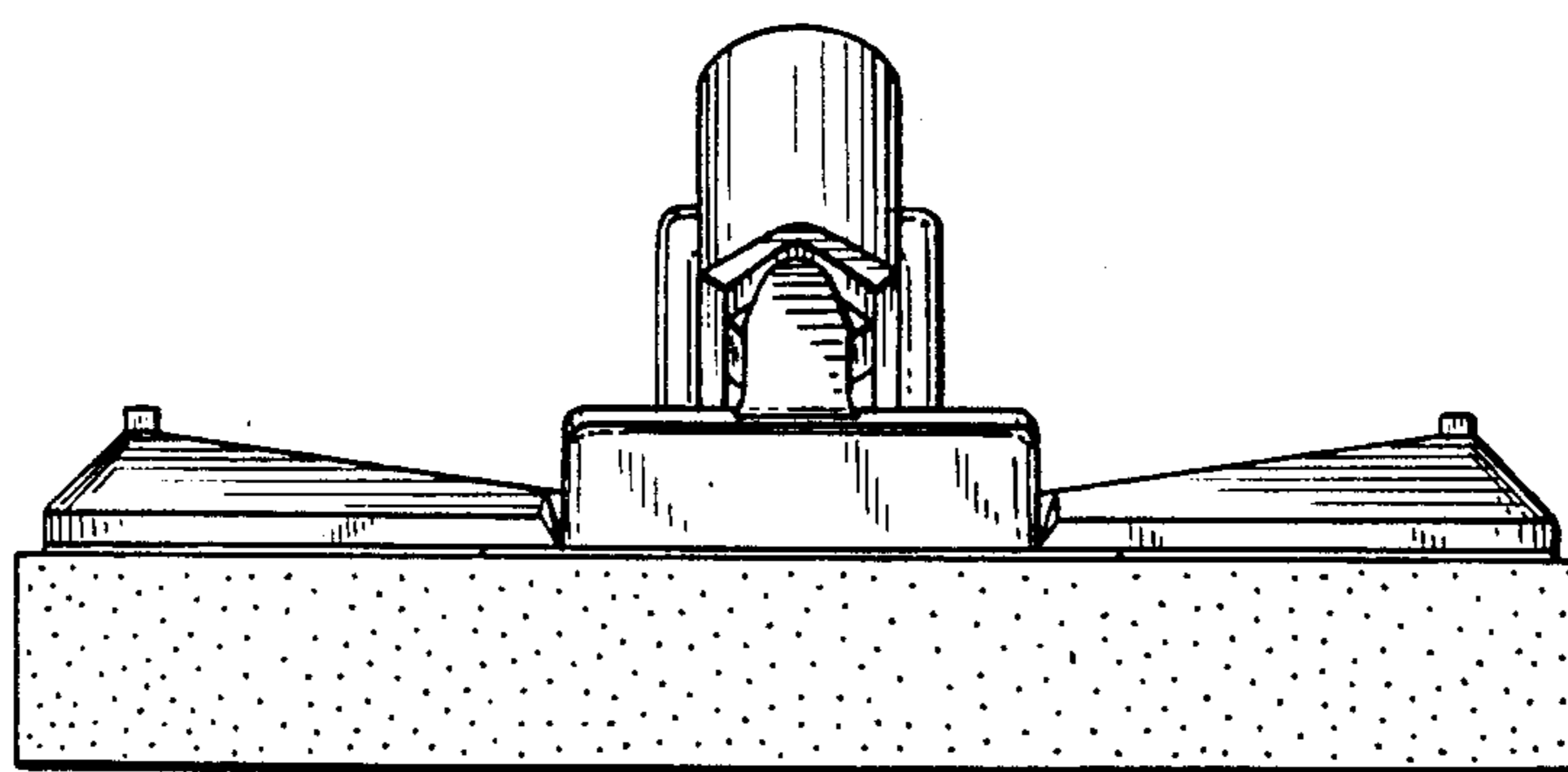


FIG. 3

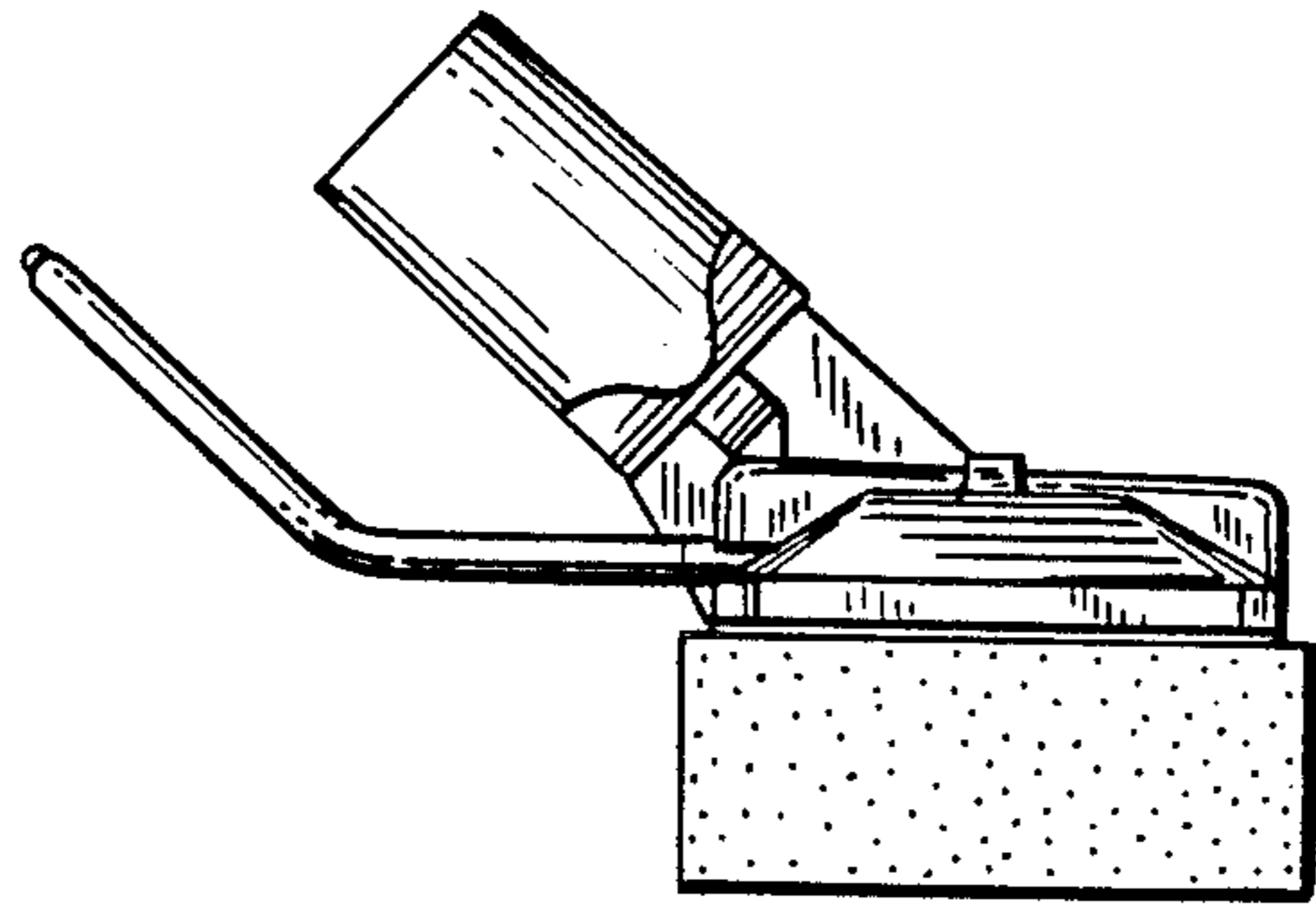


FIG. 4

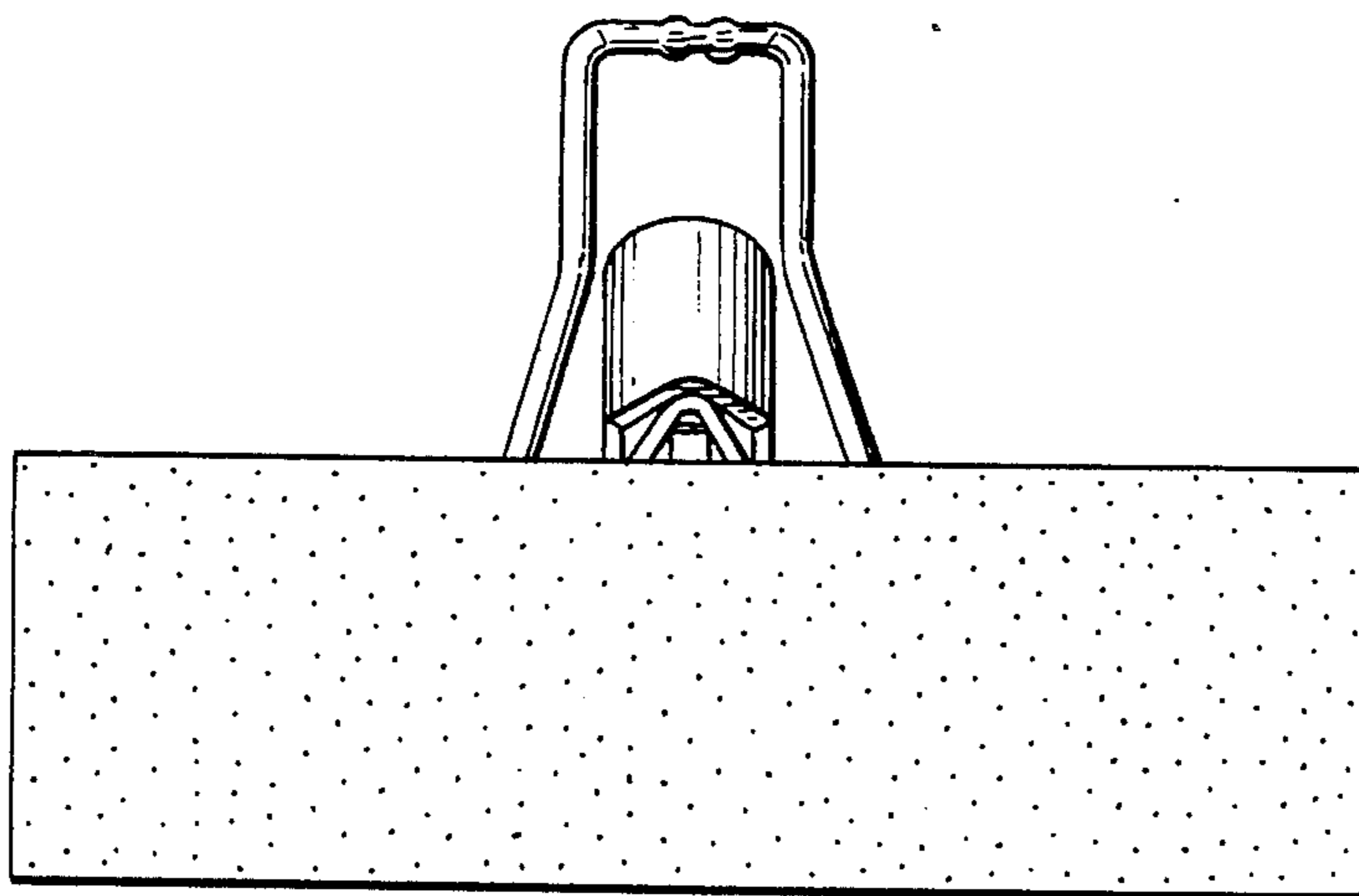


FIG. 5

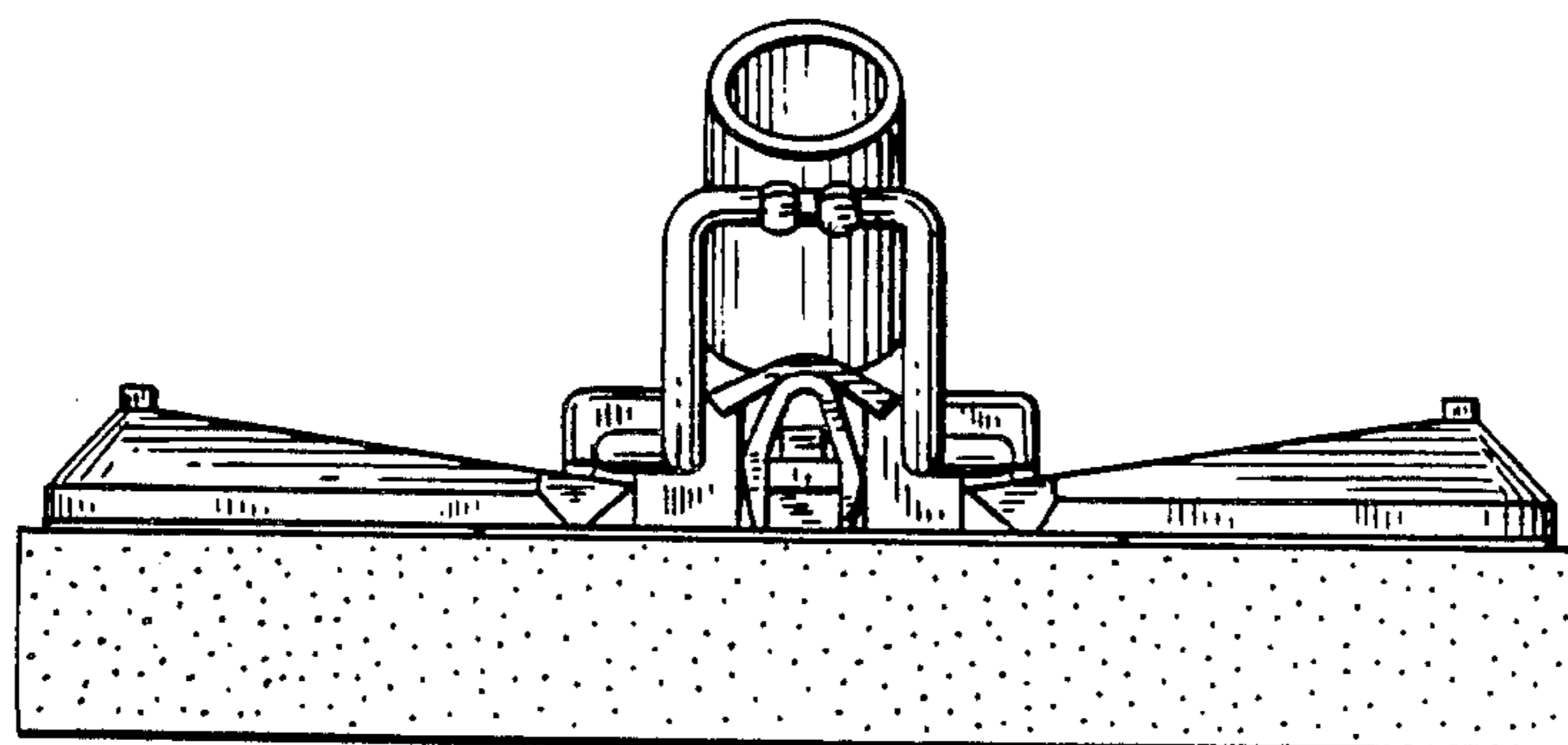


FIG. 6