

United States Patent [19]

Sadashima et al.

[11] Patent Number: Des. 294,412

[45] Date of Patent: ** Feb. 23, 1988

[54] RECHARGEABLE VACUUM CLEANER

[75] Inventors: Tsuguyoshi Sadashima; Tadahide Okuno; Hiroharu Inukai, all of Osaka, Japan

[73] Assignee: Matsushita Electric Industrial Co., Ltd., Osaka, Japan

[**] Term: 14 Years

[21] Appl. No.: 721,962

[22] Filed: Apr. 11, 1985

[30] Foreign Application Priority Data

Oct. 24, 1984 [JP] Japan 59-44002

[52] U.S. Cl. D32/18

[58] Field of Search D32/17, 18, 33; 15/344

[56] References Cited

U.S. PATENT DOCUMENTS

D. 220,969	6/1971	Rawson, Jr. et al.	D2/18
D. 257,661	12/1980	Gantz	D32/18
D. 257,941	1/1981	Tack	D32/18
D. 259,618	6/1981	Tack	D32/17
D. 274,381	6/1984	Chiu	D32/18
D. 283,064	3/1986	Thomas et al.	D32/18
D. 288,014	1/1987	Perkins	D32/18
D. 288,971	3/1987	Hohulin et al.	D32/18
4,421,964	12/1983	Buchtel	15/344

4,467,493	8/1984	Buchtel	15/344
4,573,237	3/1986	Kochte et al.	15/344

OTHER PUBLICATIONS

Black & Decker Dustbuster, A & S Catalog, Autumn 1984.
Sanyo Porta Butler, Autumn, 1984 catalog.
Norelco Clean Up Machine, Autumn, 1984, catalog.
Eureka Mini Mite, Jan. 1985.

Primary Examiner—Wallace R. Burke
Assistant Examiner—Ruth Takemoto
Attorney, Agent, or Firm—Sughrue, Mion, Zinn, Macpeak & Seas

[57] CLAIM

The ornamental design for a rechargeable vacuum cleaner, as shown.

DESCRIPTION

FIG. 1 is a top, front and right side perspective view of a rechargeable vacuum cleaner showing our new design;
FIG. 2 is a bottom, rear and right side perspective view thereof;
FIG. 3 is a right side elevational view thereof, the opposite side being a mirror image; and
FIG. 4 is a top, front and left side perspective view thereof.

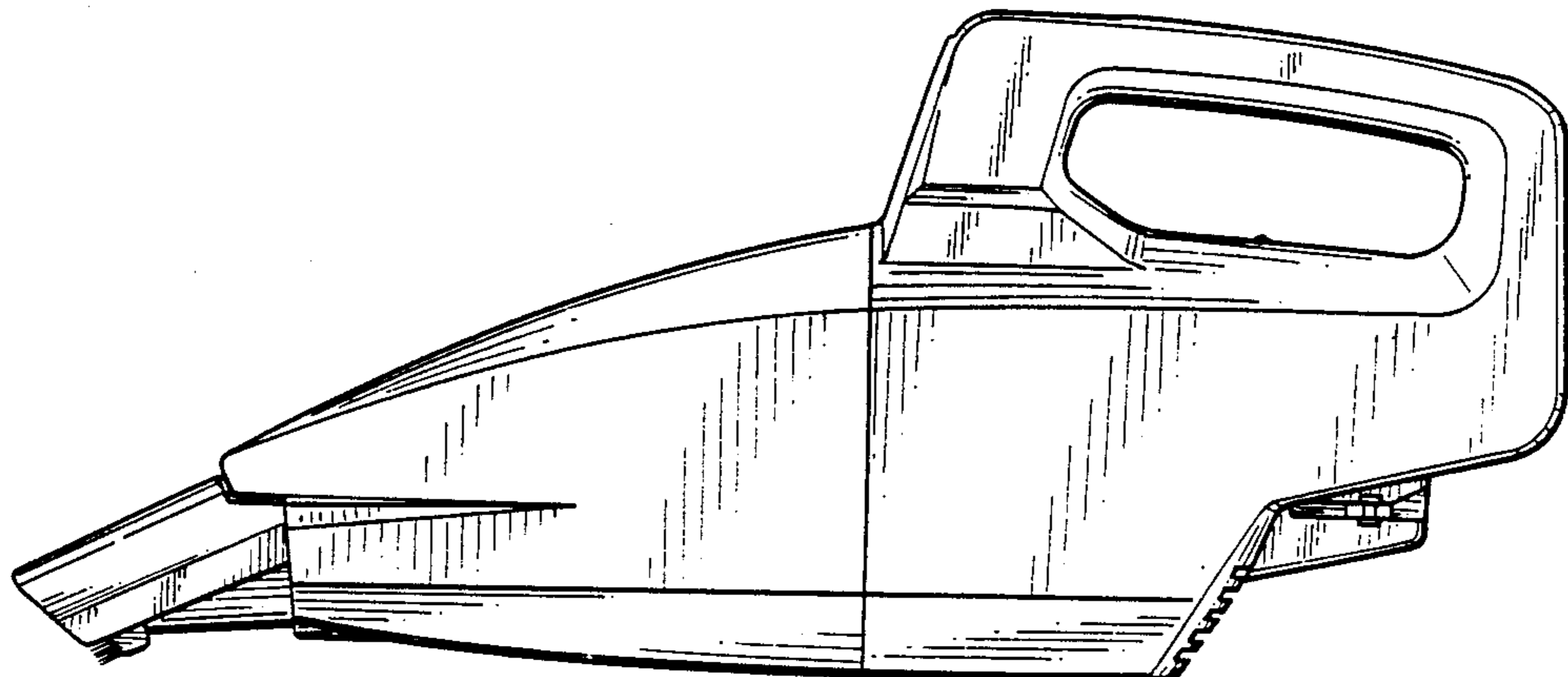
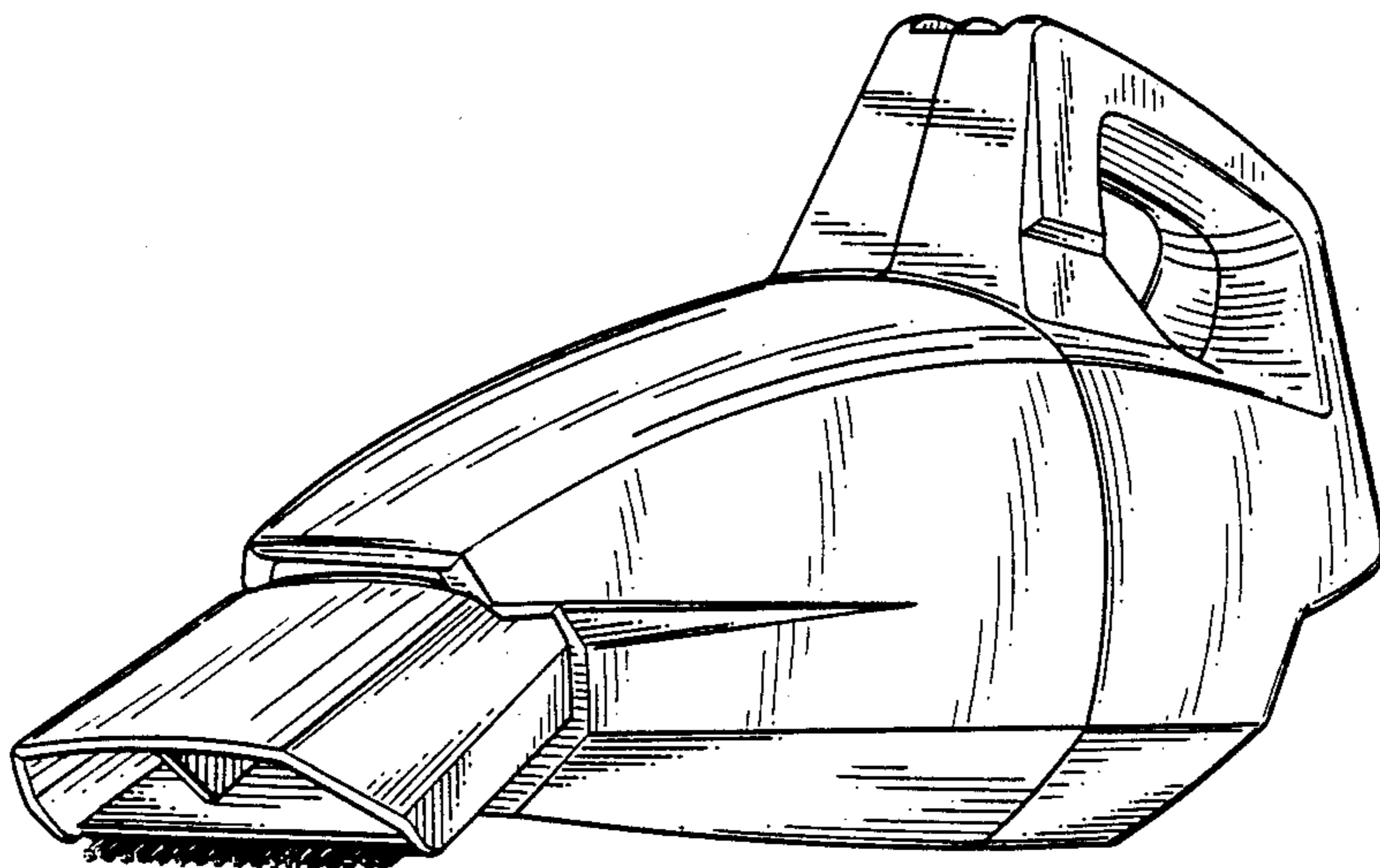


Fig. 1

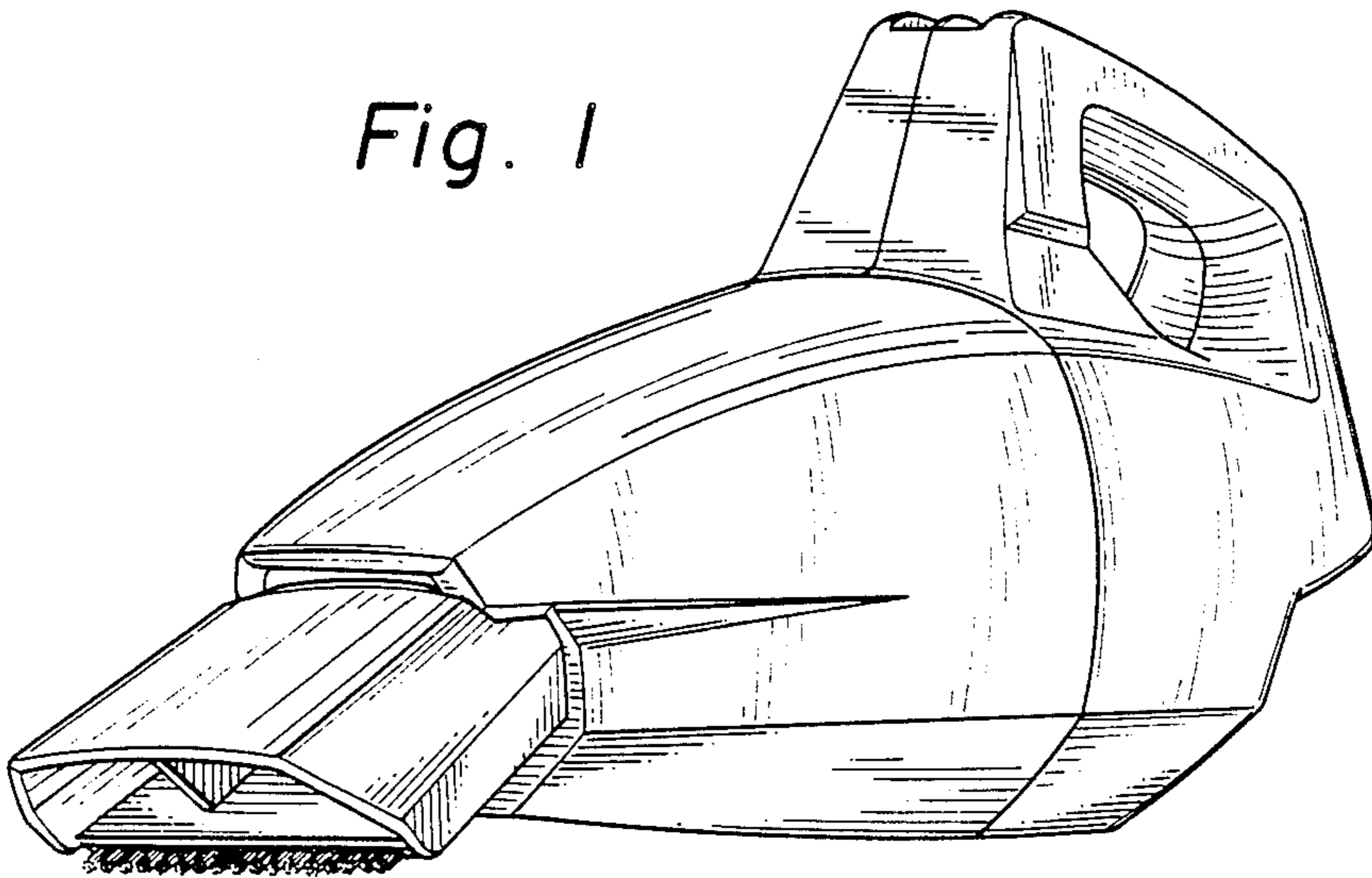


Fig. 2

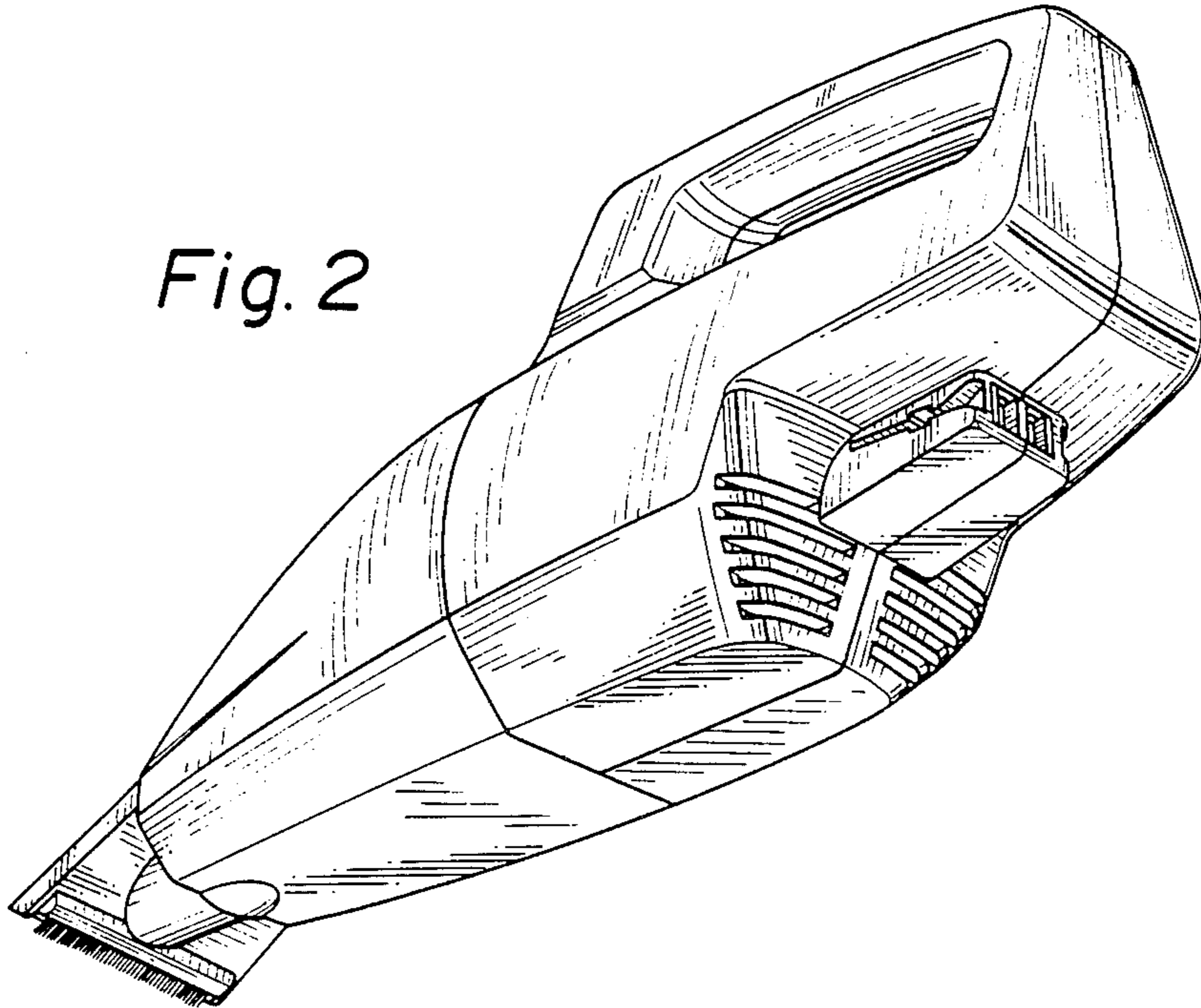


Fig. 3

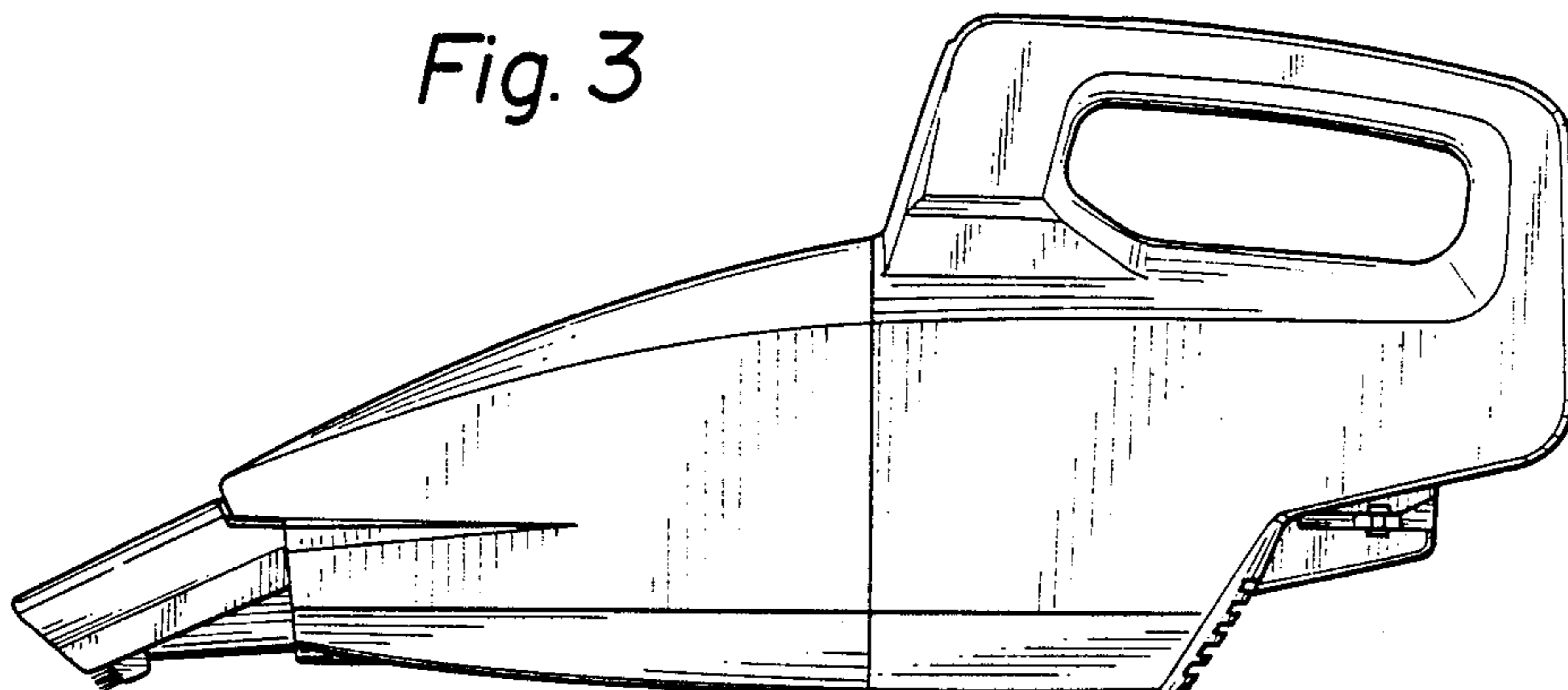


Fig. 4

