

[54] BALL LAUNCHER PET RECREATIONAL UNIT

[75] Inventor: Dean R. Merriman, Mukilteo, Wash.

[73] Assignee: Dynamic Behavioral Systems Inc., Bellevue, Wash.

[**] Term: 14 Years

[21] Appl. No.: 811,493

[22] Filed: Dec. 18, 1985

[52] U.S. Cl. D30/160; D21/210

[58] Field of Search D30/40-99; D21/2, 210; 119/29, 29.5

[56] References Cited

U.S. PATENT DOCUMENTS

- D. 248,685 7/1978 Brown D21/210 X
- D. 249,287 9/1978 Strout D21/210
- D. 250,361 11/1978 James D21/210
- D. 269,894 7/1983 Hirabayashi et al. D21/210

- D. 281,891 12/1985 Topp D21/210
- D. 288,215 2/1987 Tami D21/210
- 2,796,045 6/1957 Breland 119/29.5
- 3,204,608 9/1965 Snitz 119/29.5
- 3,297,324 1/1967 Evans 119/29.5
- 3,611,996 10/1971 Wegner 119/29.5
- 4,267,799 5/1981 Bacon 119/29.5

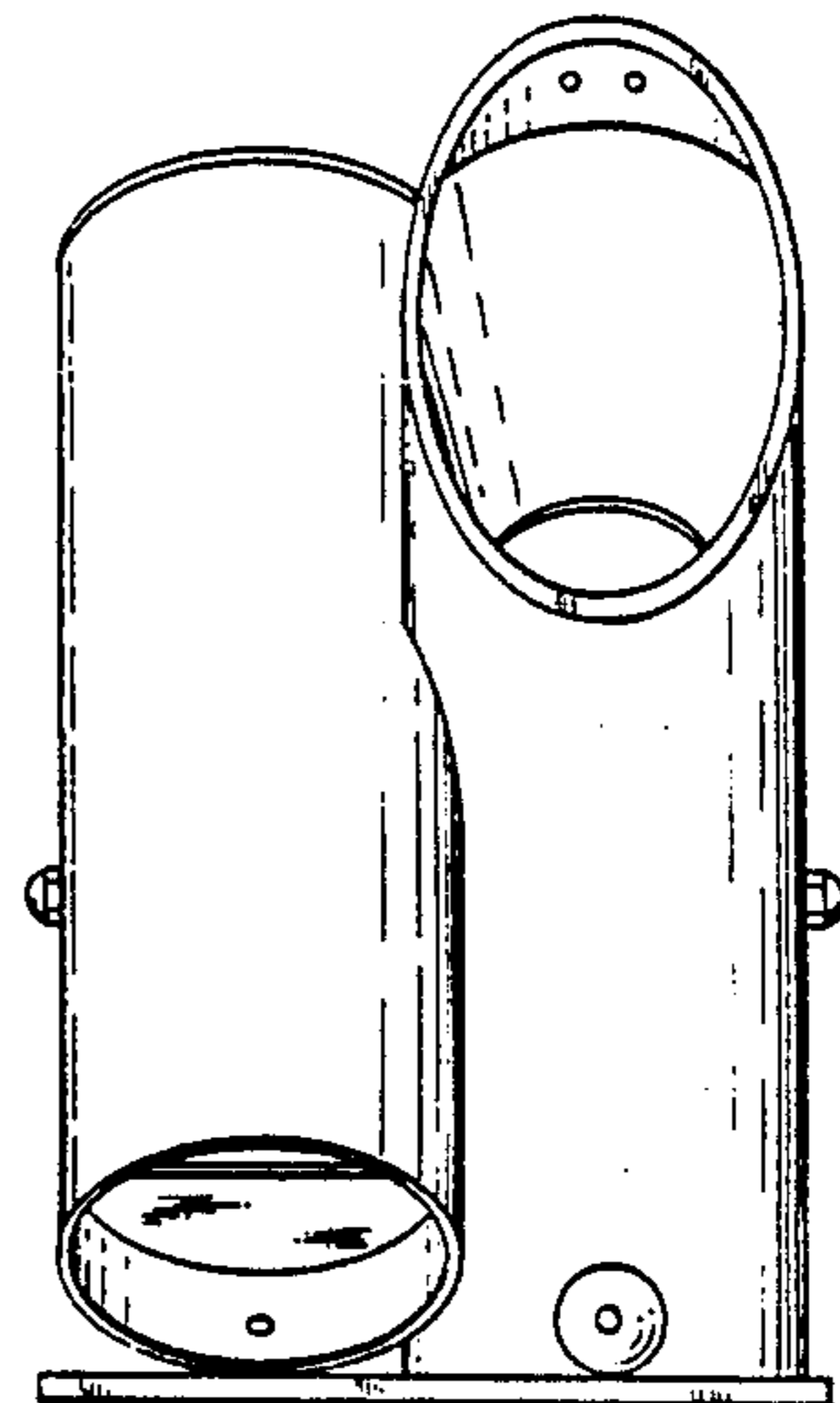
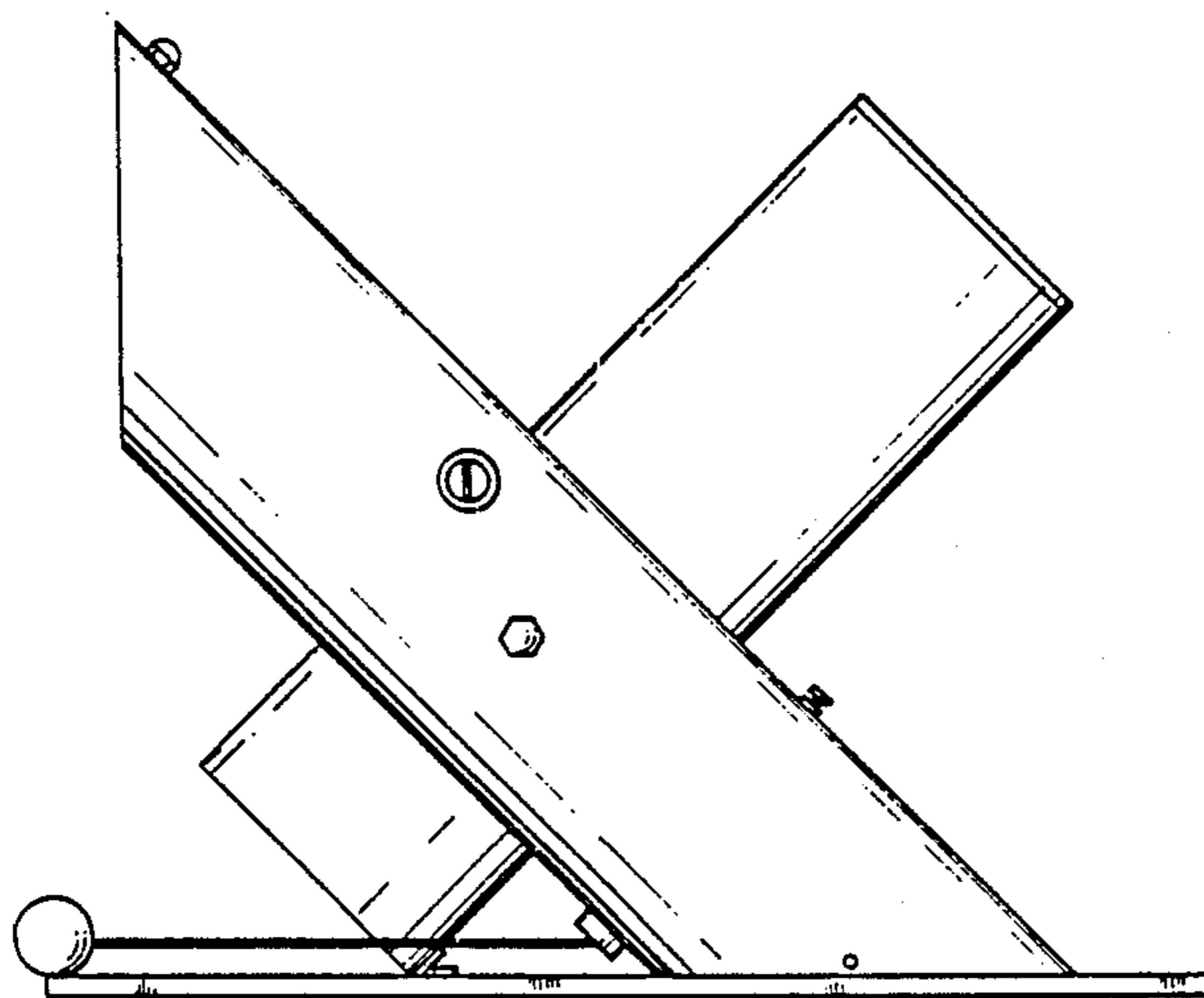
Primary Examiner—James R. Largen
Attorney, Agent, or Firm—Roy E. Mattern, Jr.

[57] CLAIM

The ornamental design for a ball launcher pet recreational unit, as shown and described.

DESCRIPTION

FIG. 1 is a right side elevational view of a ball launcher pet recreational unit showing my new design; FIG. 2 is a rear elevational view thereof; FIG. 3 is a left side elevational view thereof; FIG. 4 is a front elevational view thereof; FIG. 5 is a top plan view thereof; and FIG. 6 is a bottom plan view thereof.



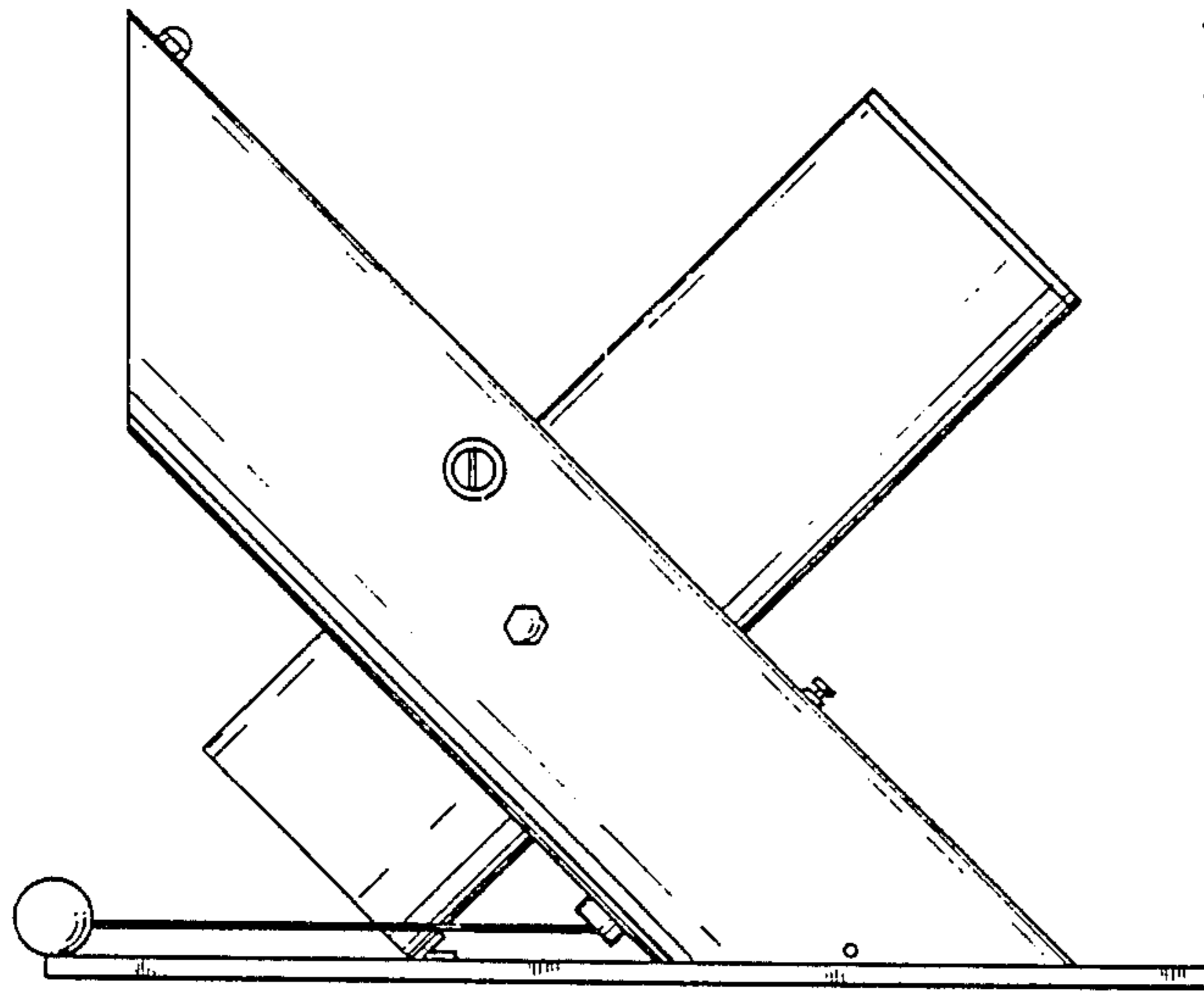


FIG. 1

FIG. 3

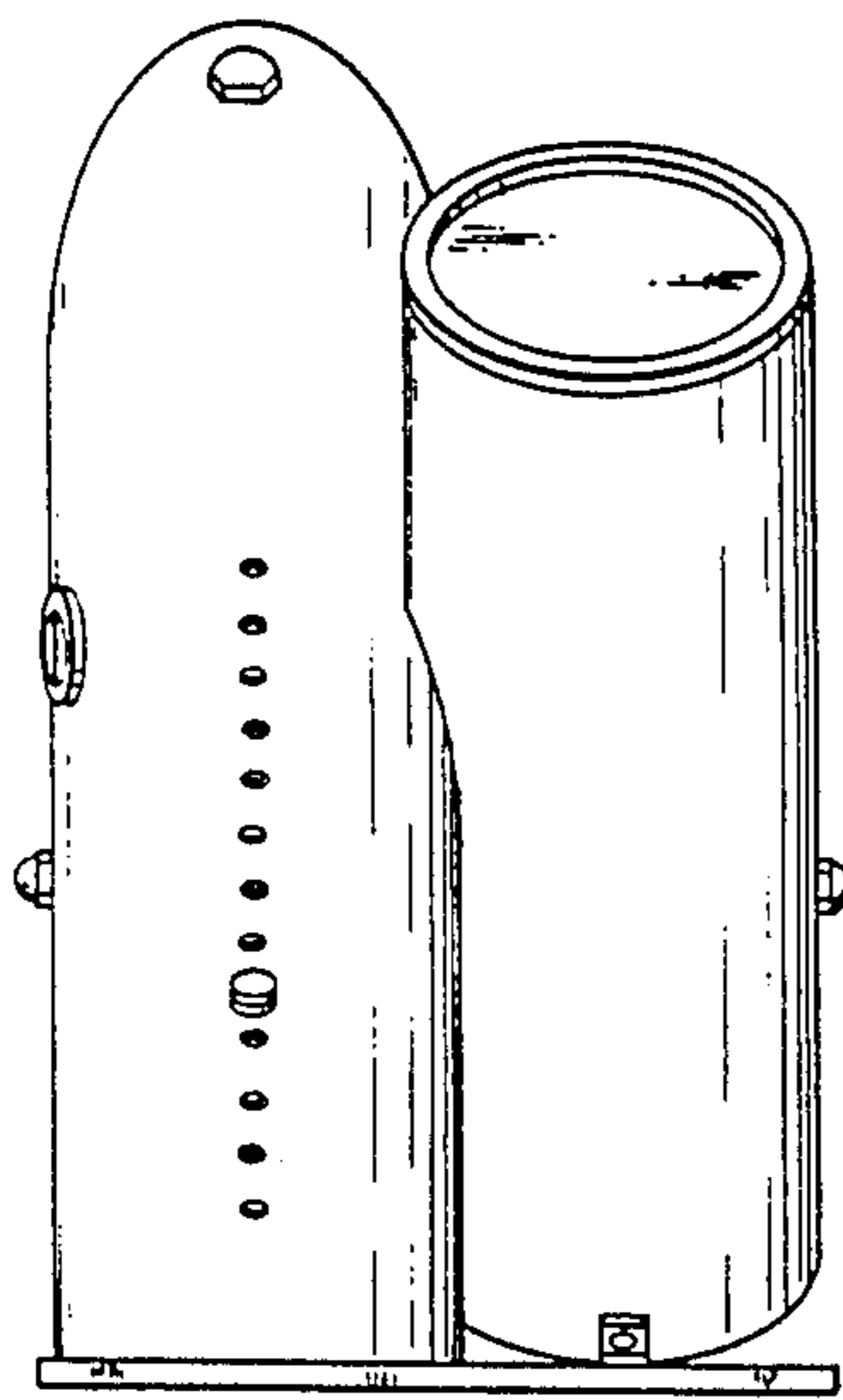
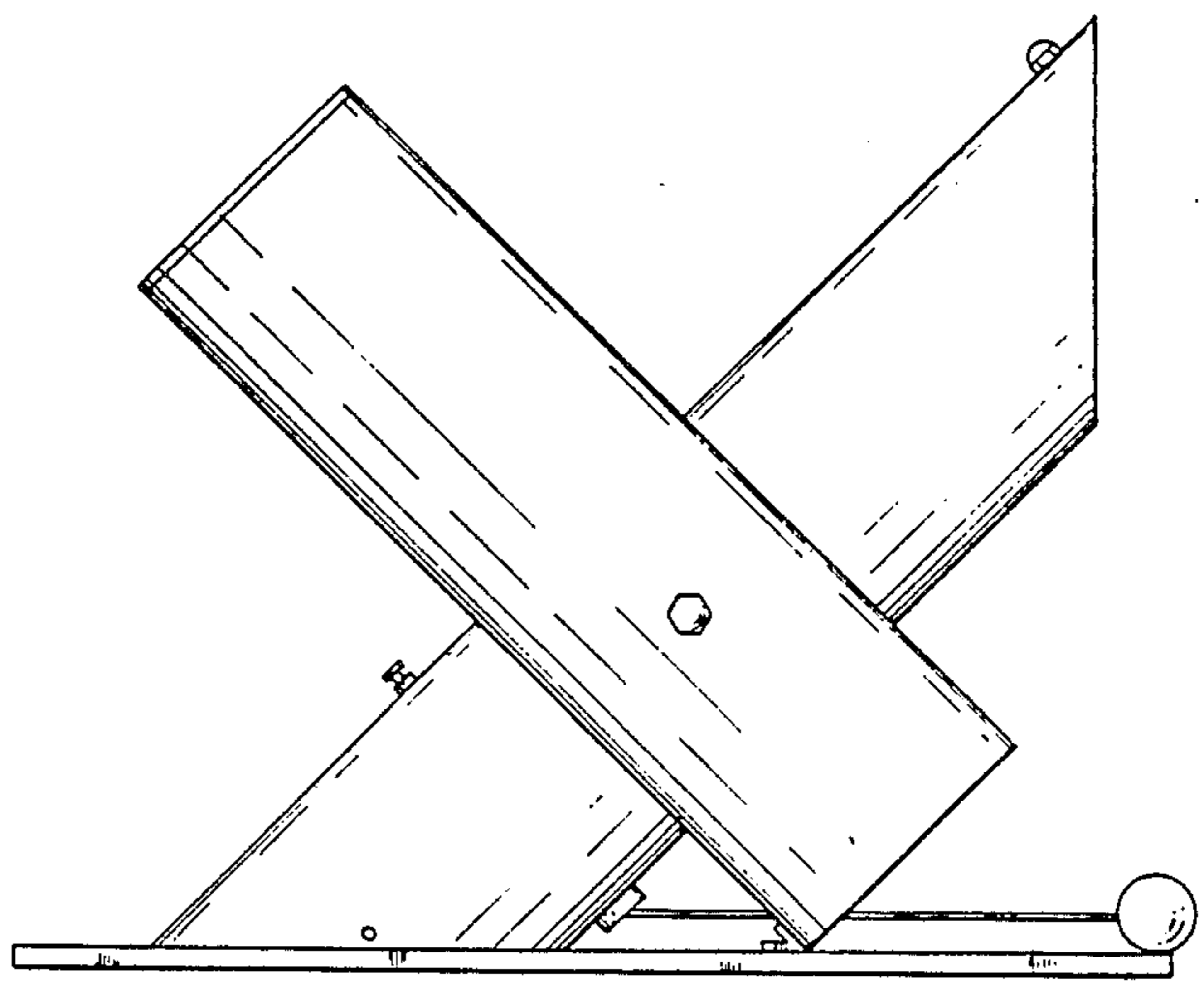


FIG. 2

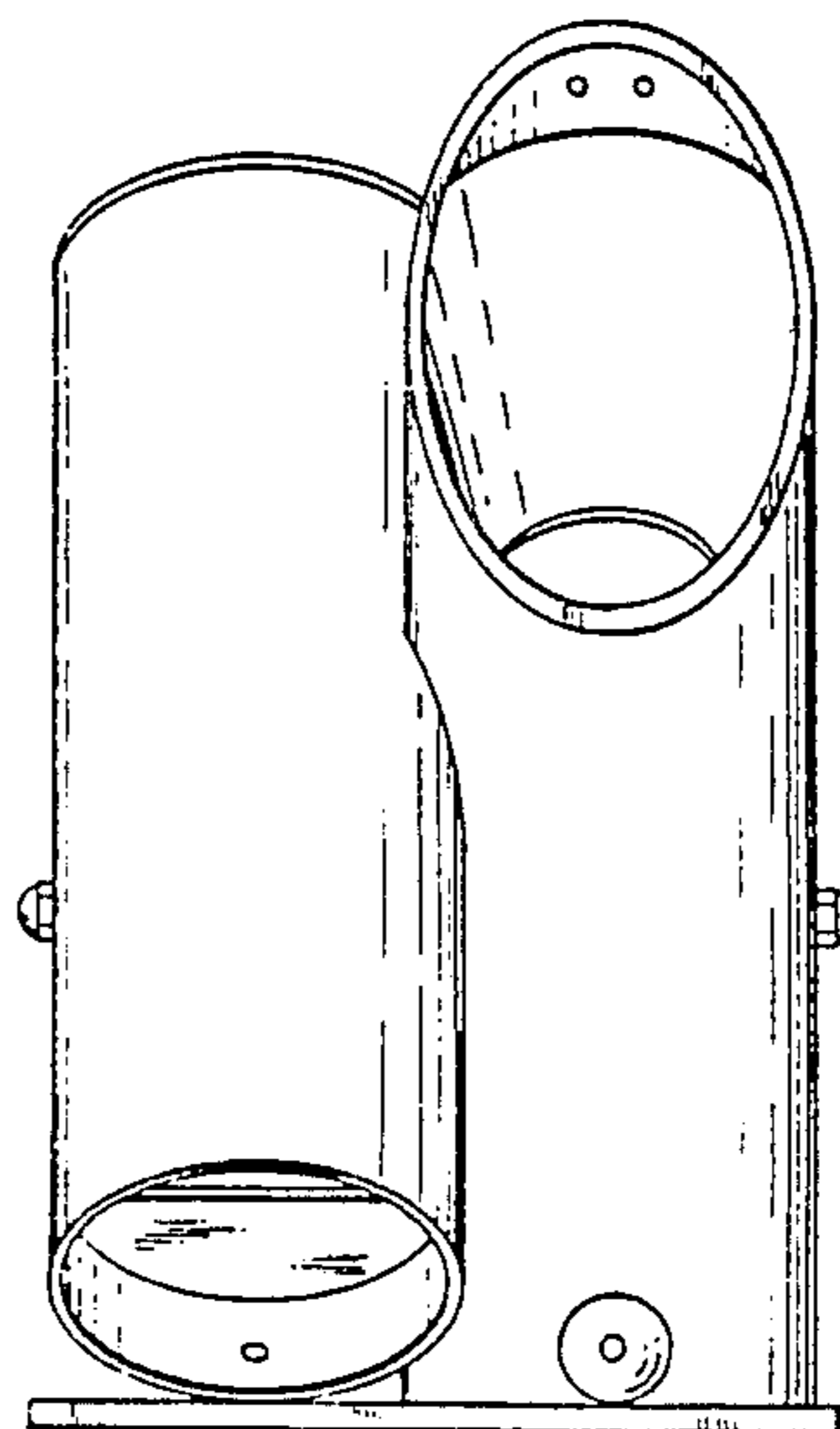


FIG. 4

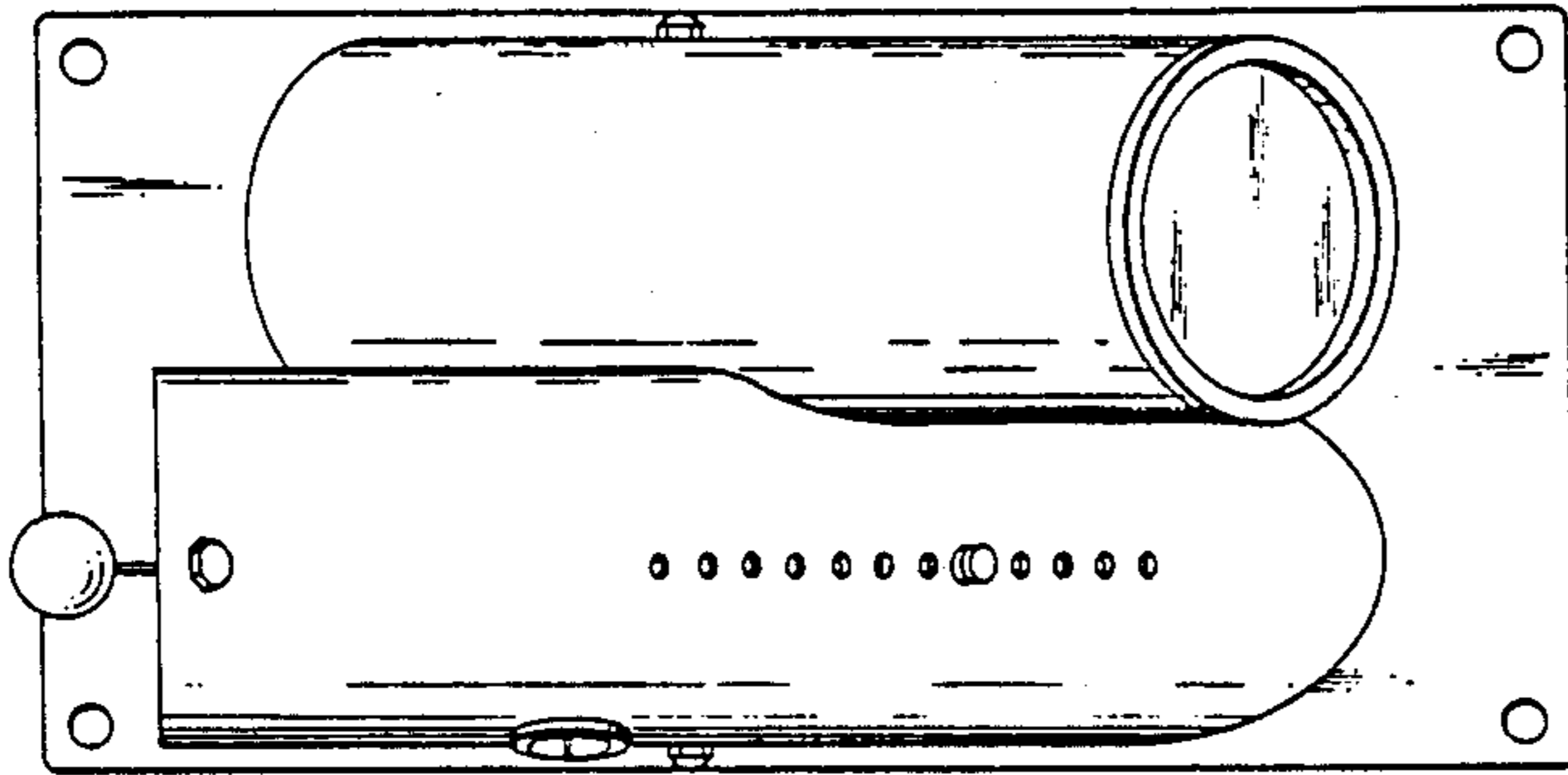


FIG. 5

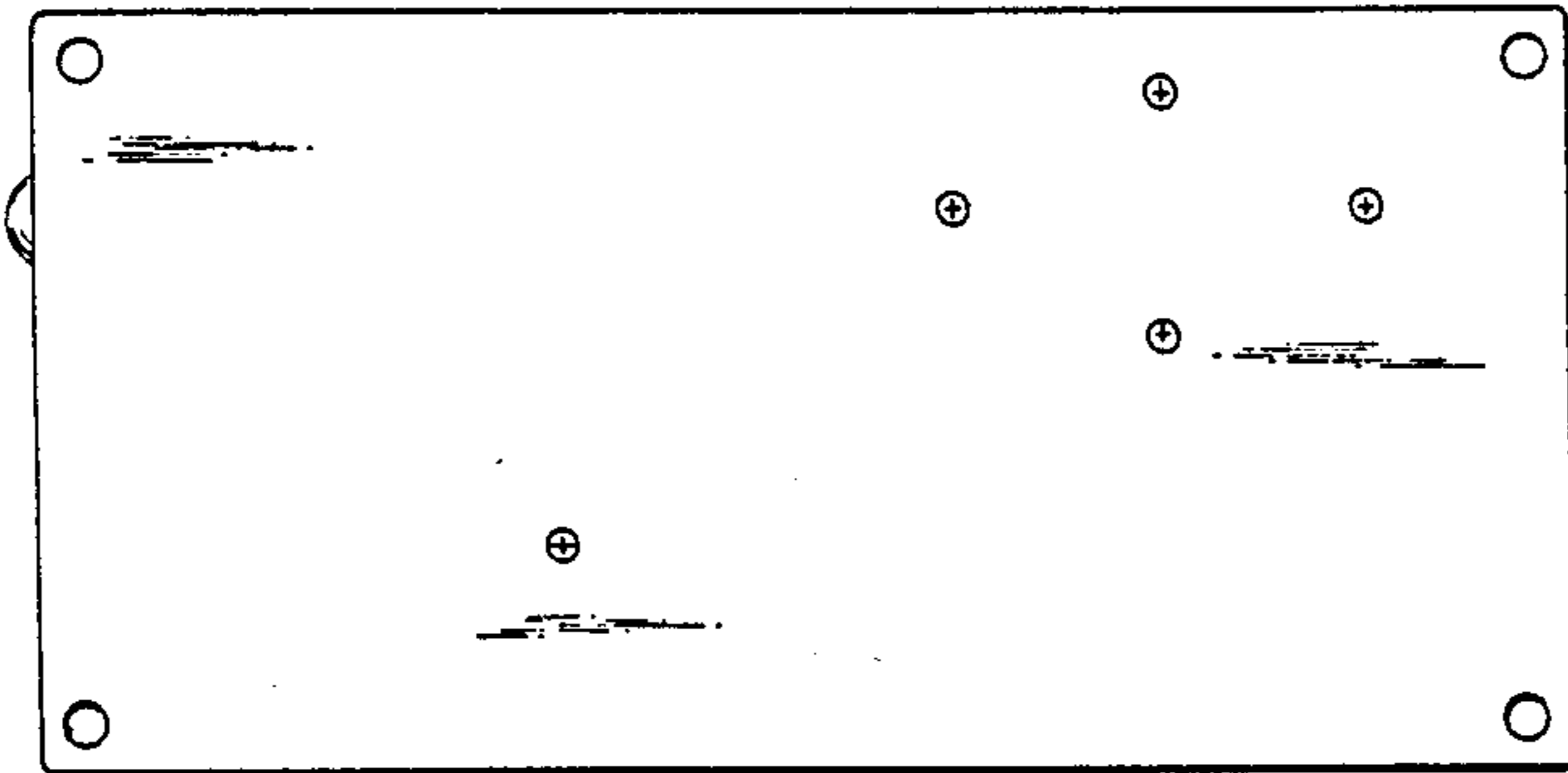


FIG. 6