

[54] PAIR OF LENSES FOR AUTOMOBILE TAILLIGHTS

[75] Inventor: Ermanno Cressoni, Arese, Italy

[73] Assignee: Alfa Romeo Auto S.p.A., Naples, Italy

[**] Term: 14 Years

[21] Appl. No.: 729,141

[22] Filed: Apr. 30, 1985

[30] Foreign Application Priority Data

Oct. 31, 1984 [IT] Italy 23665/84[U]

[52] U.S. Cl. D26/122

[58] Field of Search D26/28-36; 362/61, 80-83, 326-340; 340/89, 87, 84

[56] References Cited

U.S. PATENT DOCUMENTS

- D. 222,557 11/1971 Tixier D26/122
- D. 247,991 5/1978 Tixier D26/122
- D. 252,352 7/1979 Cameron D26/122
- 3,110,883 11/1963 Nallinger et al. 340/89 X

FOREIGN PATENT DOCUMENTS

1387230 12/1964 France 362/80

Primary Examiner—Susan J. Lucas

Attorney, Agent, or Firm—Charles E. Brown; Charles A. Brown

[57] CLAIM

The ornamental design for a pair of lenses for automobile taillights, as shown and described.

DESCRIPTION

FIG. 1 is a perspective view of a pair of lenses for automobile taillights showing my new design, the automobile being shown in broken lines for illustrative purposes only;

FIG. 2 is a perspective view of one of the pair of lenses on an enlarged scale, the second lens being omitted for convenience of illustration;

FIG. 3 is a front elevational view of the single lens shown in FIG. 2;

FIG. 4 is a left hand side elevational view thereof;

FIG. 5 is a right hand side elevational view thereof;

FIG. 6 is a top plan view thereof.

The second lens is a mirror image of the lens shown in FIGS. 2 through 6.

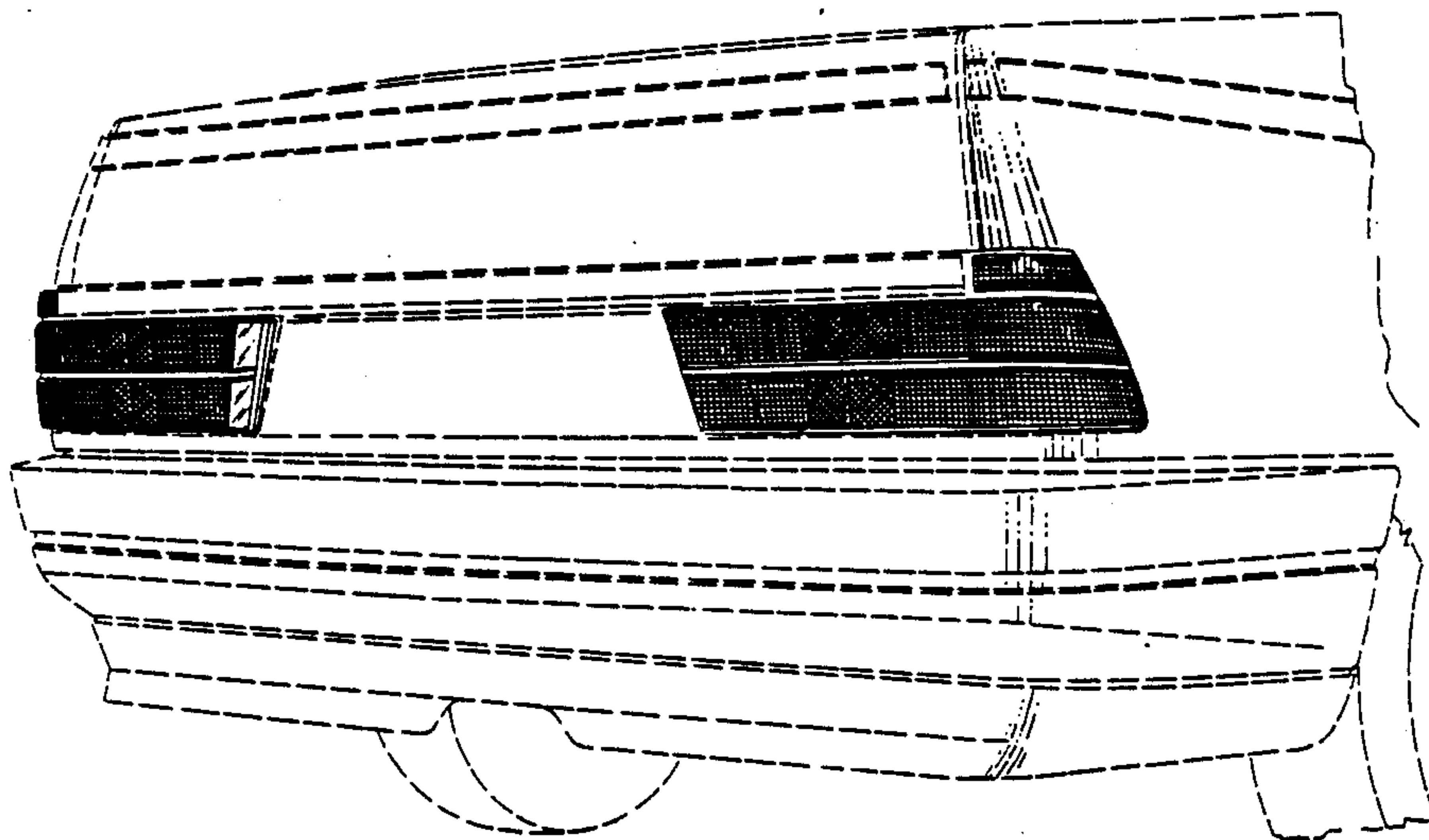


Fig.1

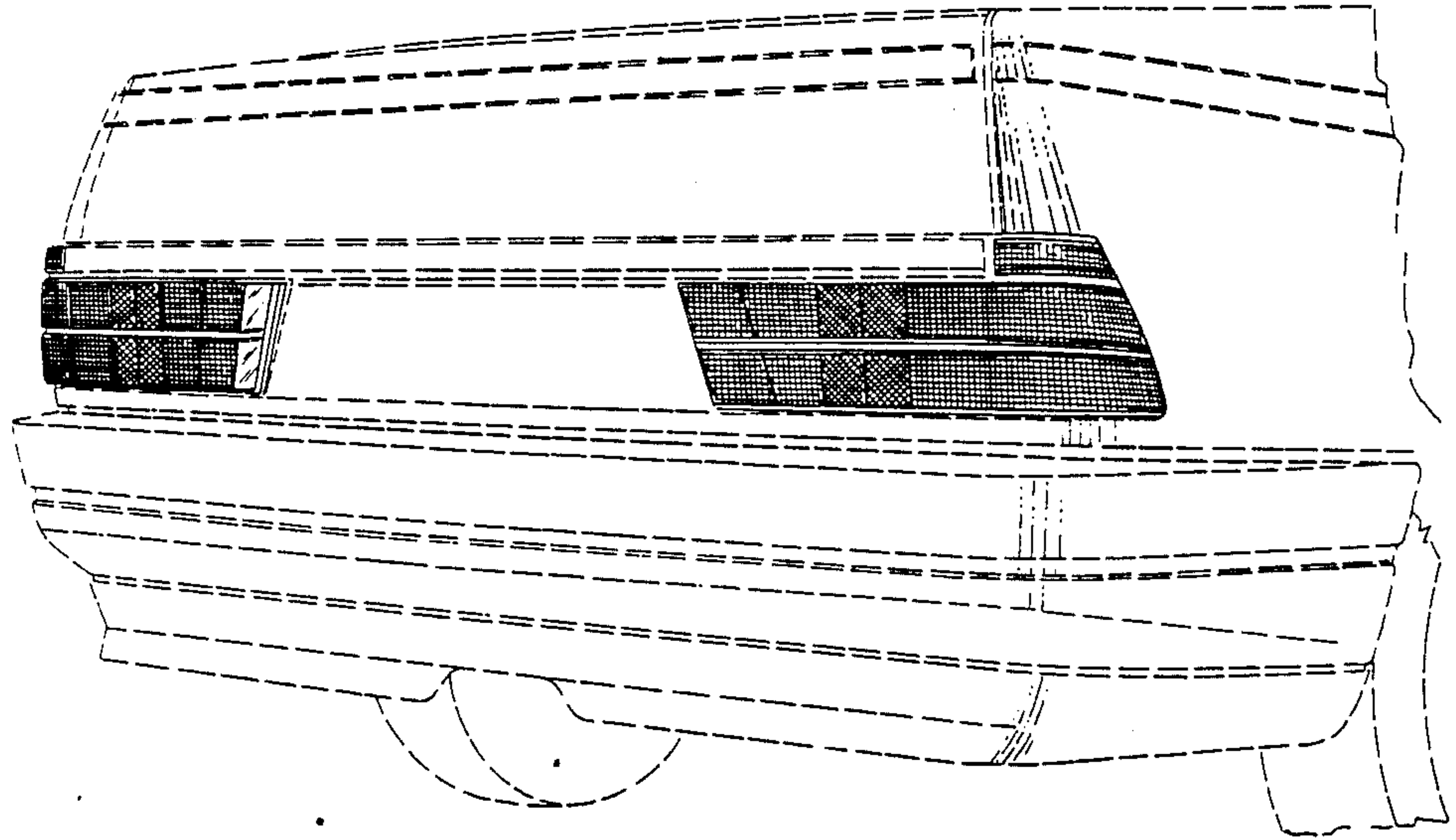


Fig.2

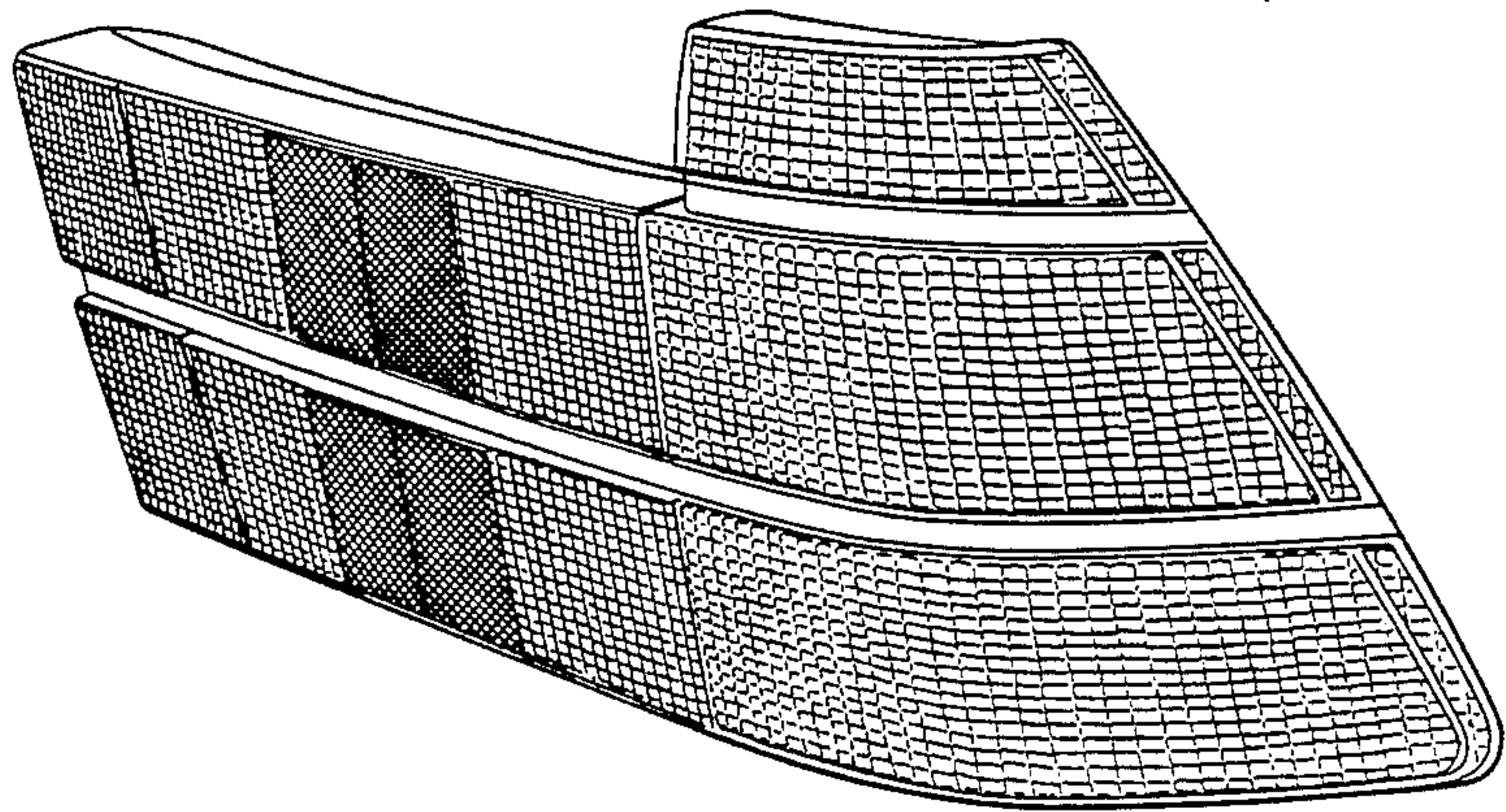


Fig. 3

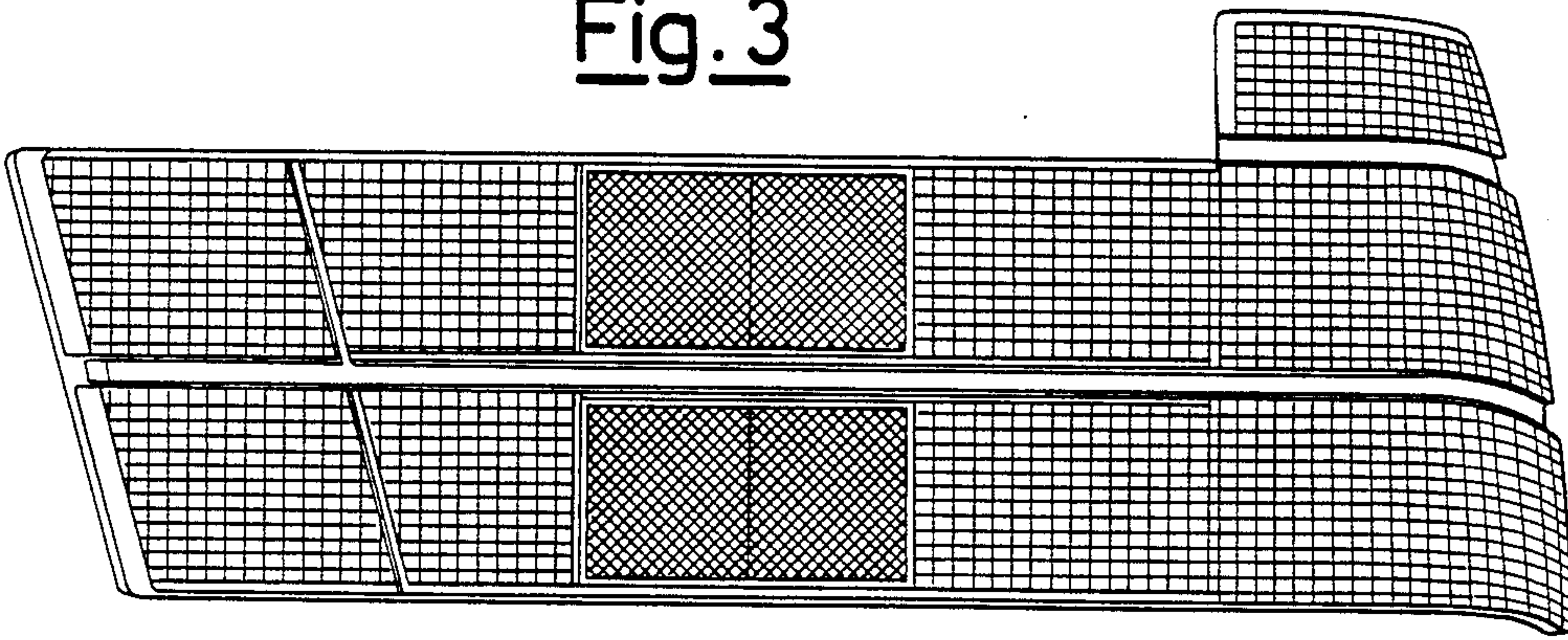


Fig. 6

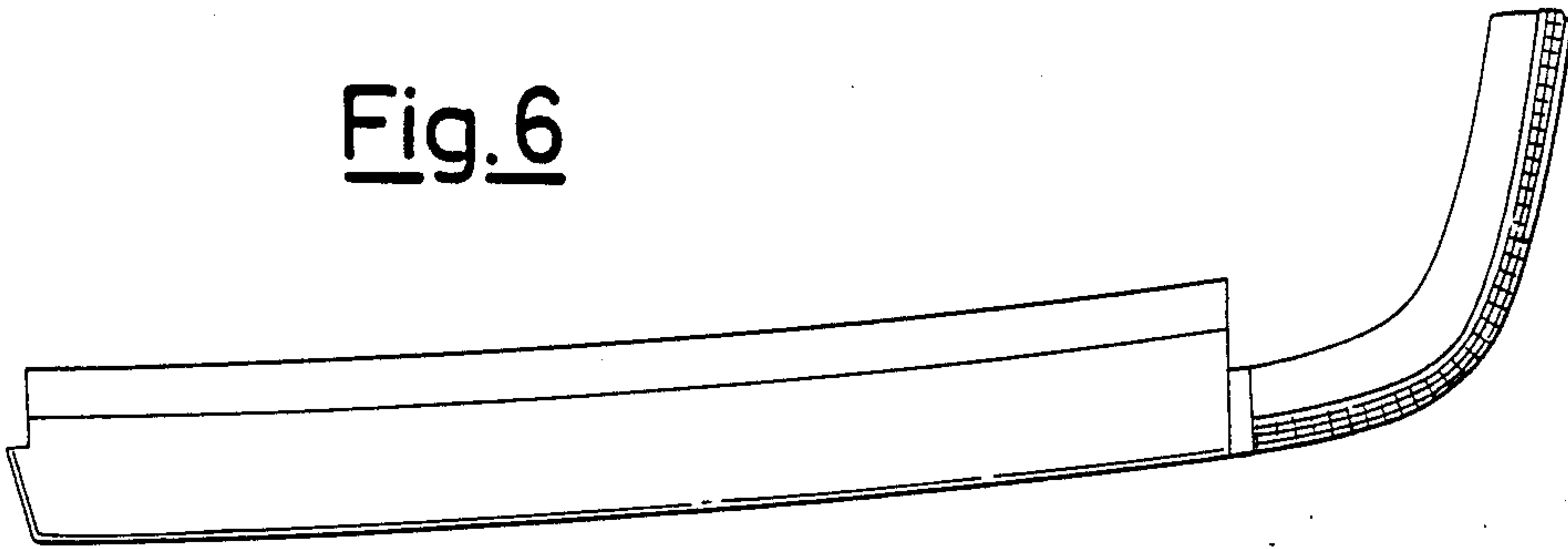


Fig. 4

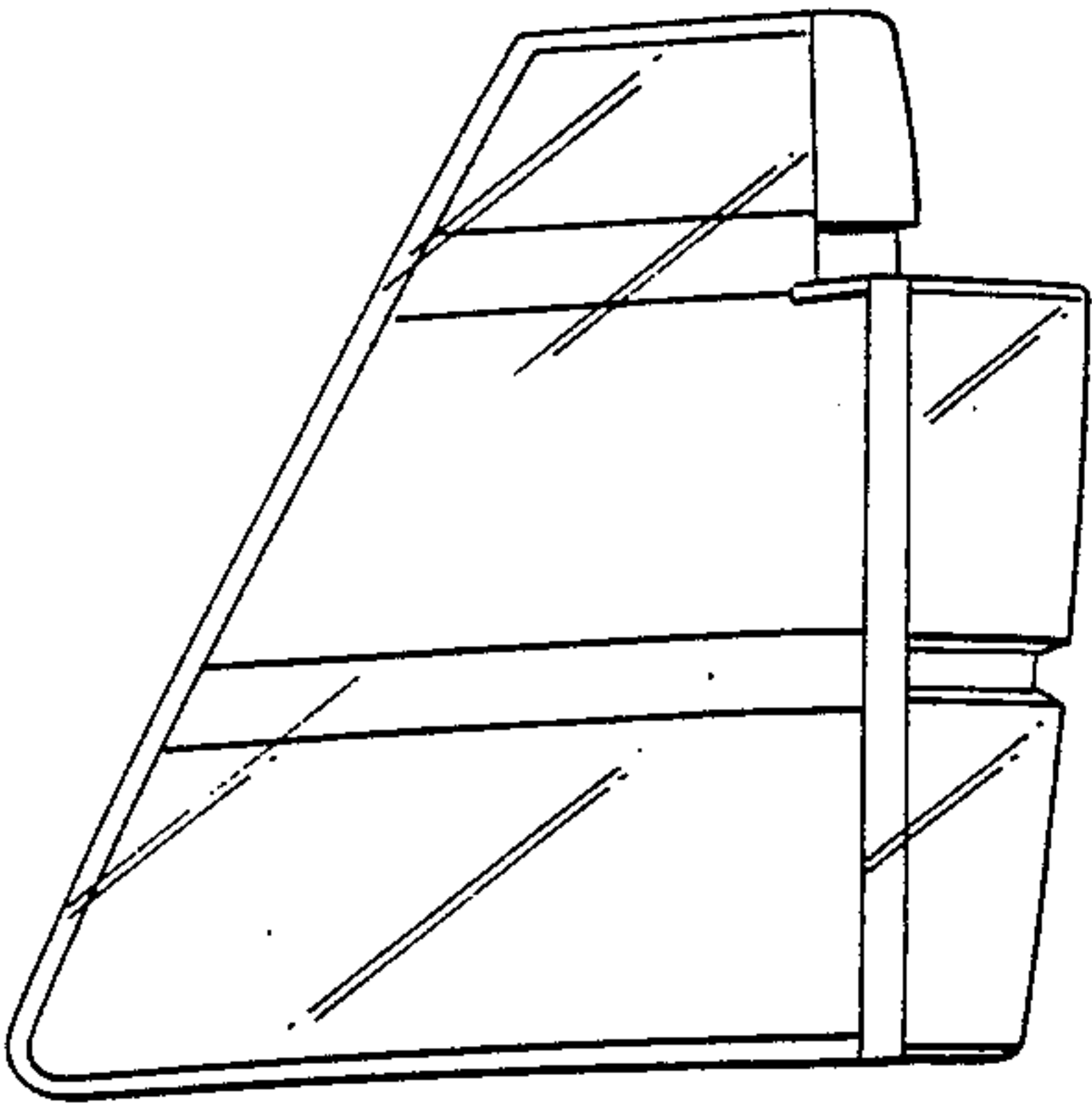


Fig. 5

