

[54] AREA LIGHT

[75] Inventors: Robert L. Ewing; John W. Harvey; Richard G. Armstrong, all of Newark, Ohio; Randall P. Crothers, Littleton, Colo.

[73] Assignee: Manville Corporation, Denver, Colo.

[\*\*] Term: 14 Years

[21] Appl. No.: 822,361

[22] Filed: Jan. 24, 1986

[52] U.S. Cl. .... D26/71

[58] Field of Search ..... D26/68-71, D26/138; 362/431, 362, 363, 296, 297, 300, 307, 310, 311, 217; 248/219.2, 219.3; D25/77

[56] References Cited

U.S. PATENT DOCUMENTS

- D. 228,361 9/1973 Burns et al. .... D26/71
- D. 233,852 12/1974 Czellath et al. .... D26/71
- D. 272,475 1/1984 Yahraus ..... D26/71 X
- D. 285,010 8/1986 Mullins ..... D26/67
- 3,156,418 11/1964 Jablonski et al. .... 248/219.2 X

- 3,836,767 9/1974 Lasker ..... 362/217
- 4,319,312 3/1982 De Vos et al. .... 362/431 X
- 4,447,864 5/1984 Smith et al. .... 362/431 X

OTHER PUBLICATIONS

Architectural Record, 10-1976, p. 197, AAL Pendant Luminaires, Square and Cylinder.

Crouse-Hinds Ad, Architectural Site Luminaire, (MOD-RSL).

Primary Examiner—Susan J. Lucas

Attorney, Agent, or Firm—John D. Lister; Cornelius P. Quinn

[57] CLAIM

The ornamental design for an area light, as shown and described.

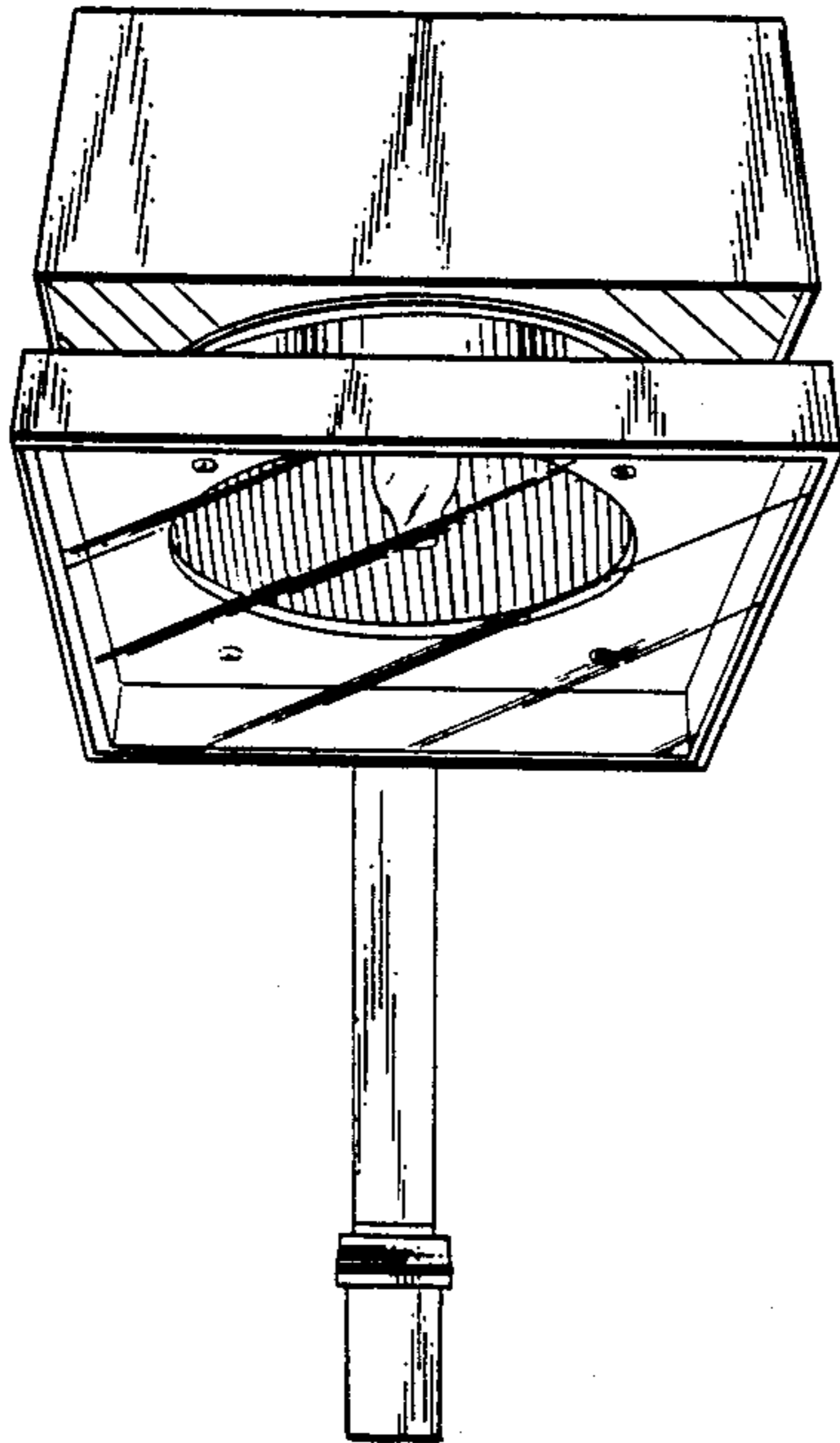
DESCRIPTION

FIG. 1 is a front perspective view of an area light showing our new design.

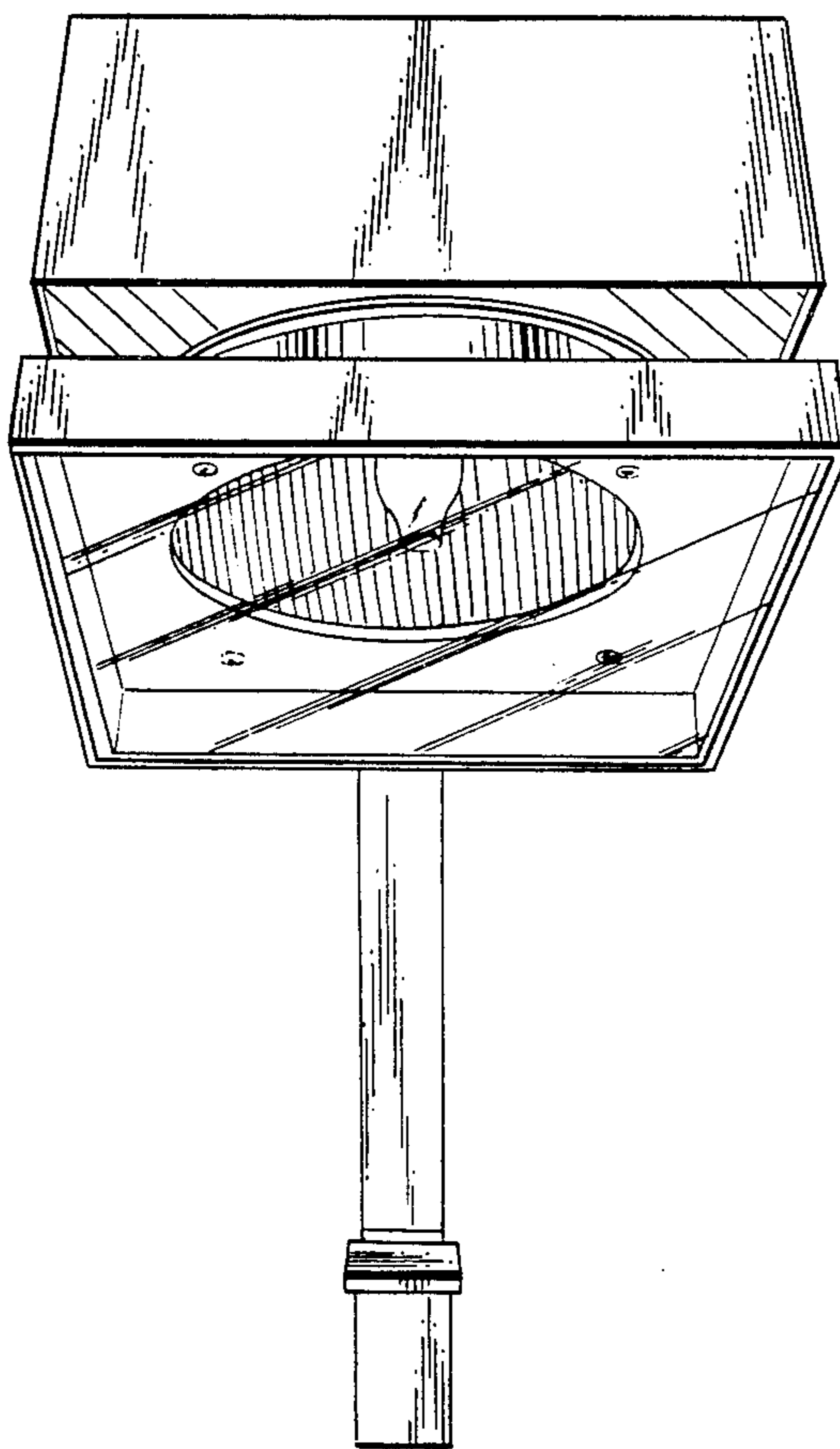
FIG. 2 is a top perspective view thereof.

FIG. 3 is a side elevational view thereof, the opposite side being a mirror image;

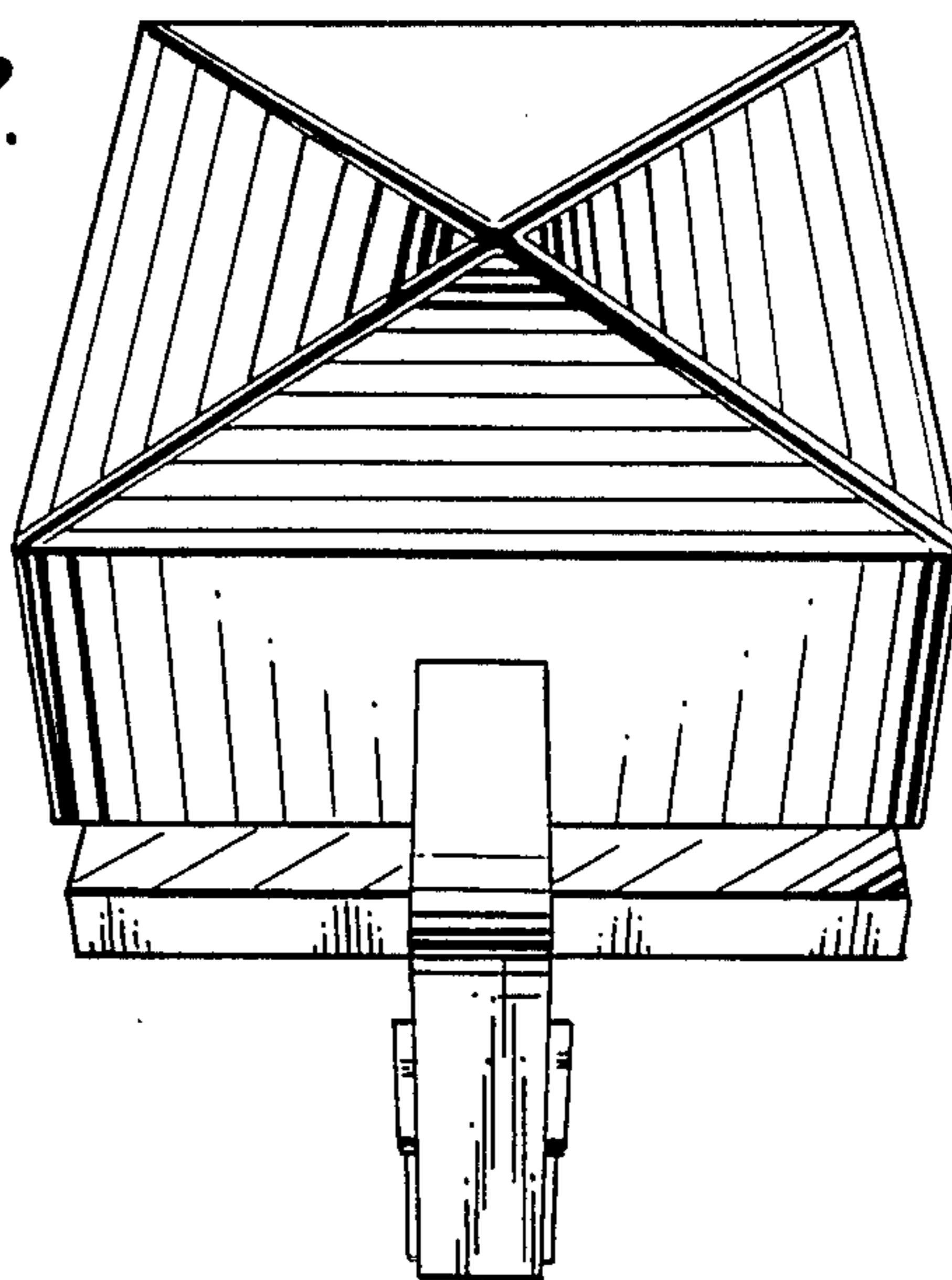
FIG. 4 is a front elevational view thereof.



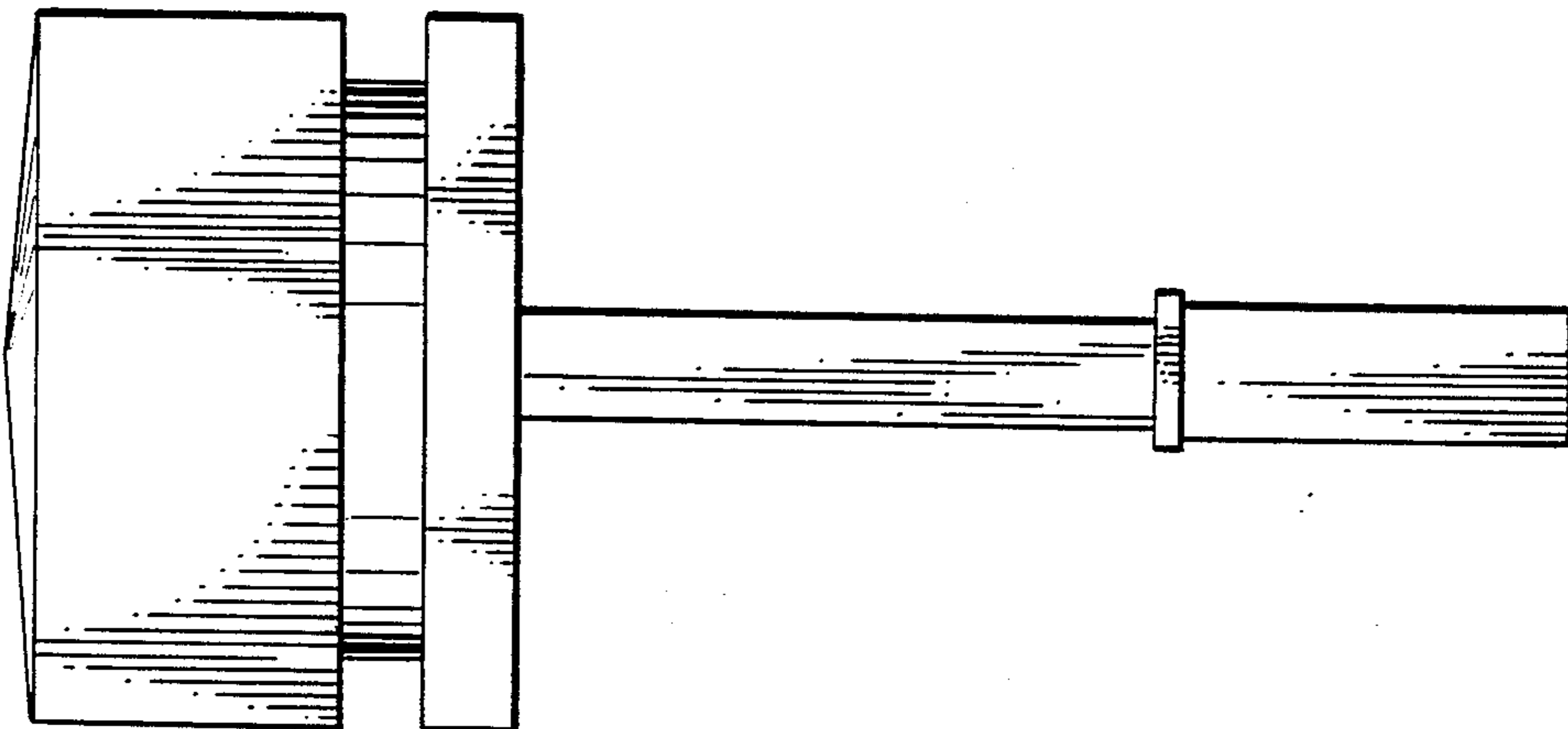
*Fig. 1.*



*Fig. 2.*



*Fig. 1.*



*Fig. 3.*

