

[54] COMBINED SIGN AND CANOPY ROOF STRUCTURE FOR A FAST SERVICE RESTAURANT BUILDING

[76] Inventor: Larry D. Adcock, 2997-A N. Stemmons, Lewisville, Tex. 75067

[\*\*] Term: 14 Years

[21] Appl. No.: 720,681

[22] Filed: Apr. 8, 1985

[52] U.S. Cl. .... D25/56; D20/10; D25/1; D25/33

[58] Field of Search ..... D25/1, 22, 27, 56, 59, D25/33; D20/10, 39, 42

[56] References Cited

U.S. PATENT DOCUMENTS

- D. 91,044 11/1933 Urbanek . . . . . D20/10
- D. 97,165 10/1935 Regester . . . . . D20/10
- D. 97,516 11/1935 Ward . . . . . D20/10
- D. 109,209 4/1938 Crouch . . . . . D20/39
- D. 111,335 9/1938 Smith . . . . . D20/39
- D. 118,551 1/1940 Beidler . . . . . D25/1
- D. 151,457 10/1948 Krueger et al. . . . . D25/1
- D. 152,277 1/1949 Manville . . . . . D20/10
- D. 161,797 1/1951 Smith . . . . . D20/10
- D. 168,144 11/1952 Cooper et al. . . . .
- D. 172,973 9/1954 Kane . . . . .
- D. 174,520 4/1955 Triantafillou et al. . . . .
- D. 181,578 12/1957 Clark . . . . .
- D. 194,304 1/1963 Cobbe . . . . .
- D. 197,766 3/1964 Roxburgh . . . . .

- D. 215,136 9/1969 Schoenfeld . . . . .
- D. 225,288 11/1972 Dowsett . . . . .
- D. 233,917 12/1974 Laughner . . . . .
- D. 235,587 6/1975 Muse . . . . .
- D. 250,837 1/1979 Lahaie . . . . .
- D. 250,842 1/1979 Fraley . . . . .
- D. 254,751 4/1980 Adler et al. . . . .
- D. 261,044 9/1981 Baffo . . . . .
- D. 261,281 10/1981 McDonald . . . . .
- D. 270,763 9/1983 Barthel . . . . .
- D. 272,947 3/1984 Beasley, III . . . . .
- 3,717,965 2/1973 Morton et al. . . . .

Primary Examiner—A. Hugo Word  
Attorney, Agent, or Firm—Richards, Harris, Medlock & Andrews

[57] CLAIM

The ornamental design for a combined sign and canopy roof structure for a fast service restaurant building, as shown and described.

DESCRIPTION

FIG. 1 is an upper front corner perspective view of a combined sign and canopy roof structure for a fast service restaurant building;  
FIG. 2 is a top plan view thereof;  
FIG. 3 is a front elevational view thereof;  
FIG. 4 is a left side elevational view thereof, the right side being a mirror image of the left side;  
The broken line showing of indicia in FIGS. 1-4 and of building wall structure in FIGS. 1, 3, and 4 is for purposes of illustration only and to show the environment of the invention.

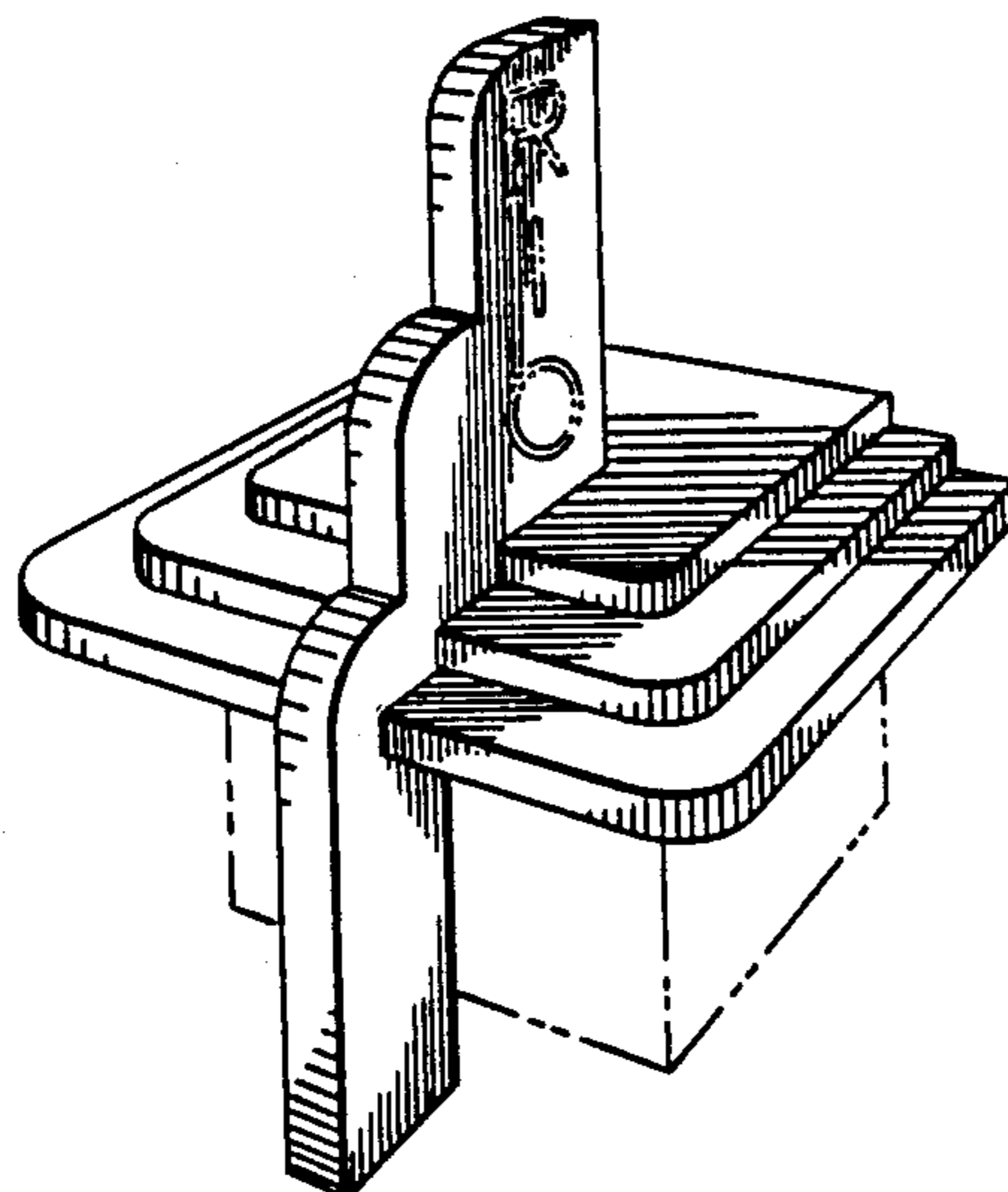


FIG. 1

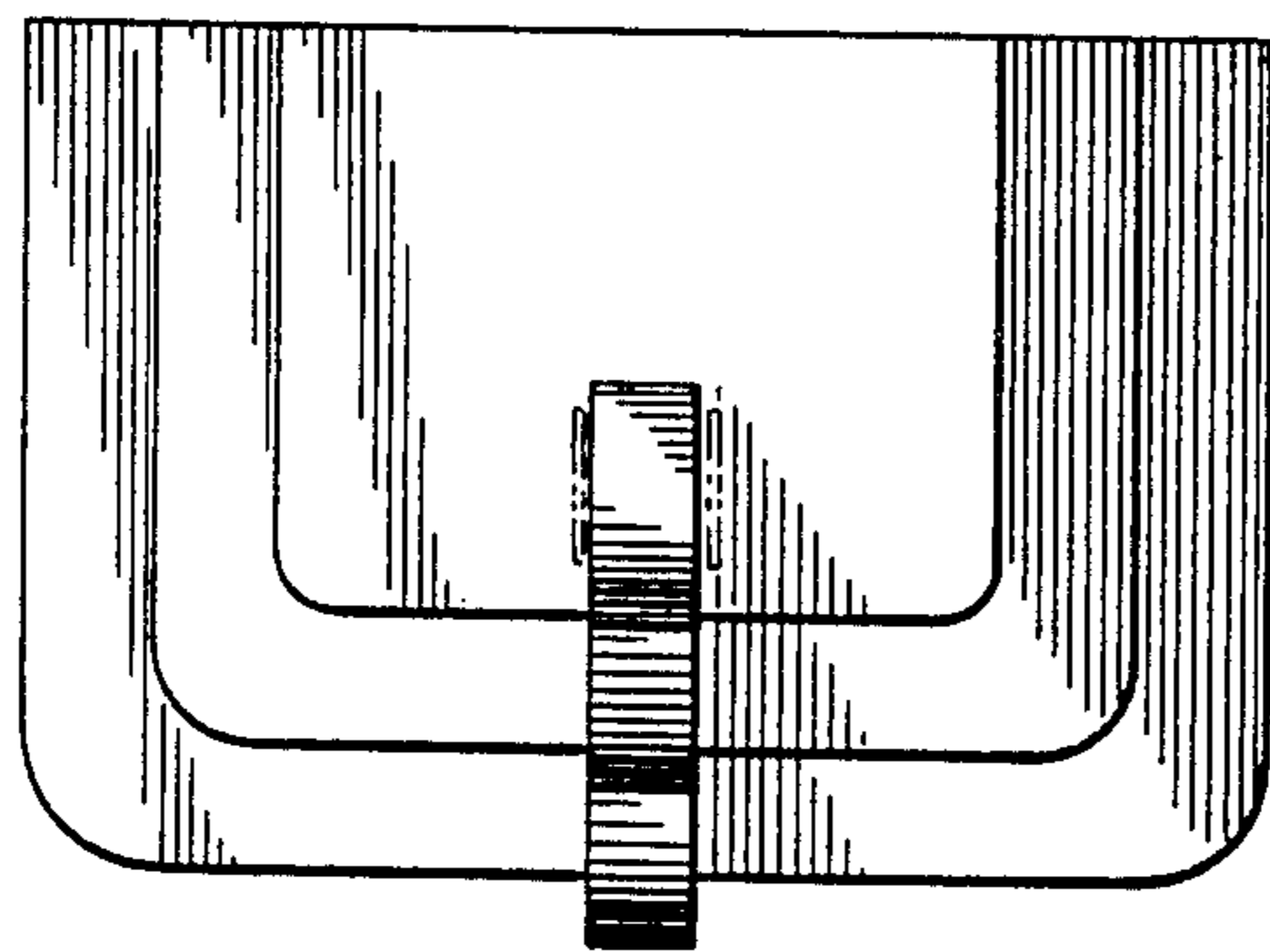
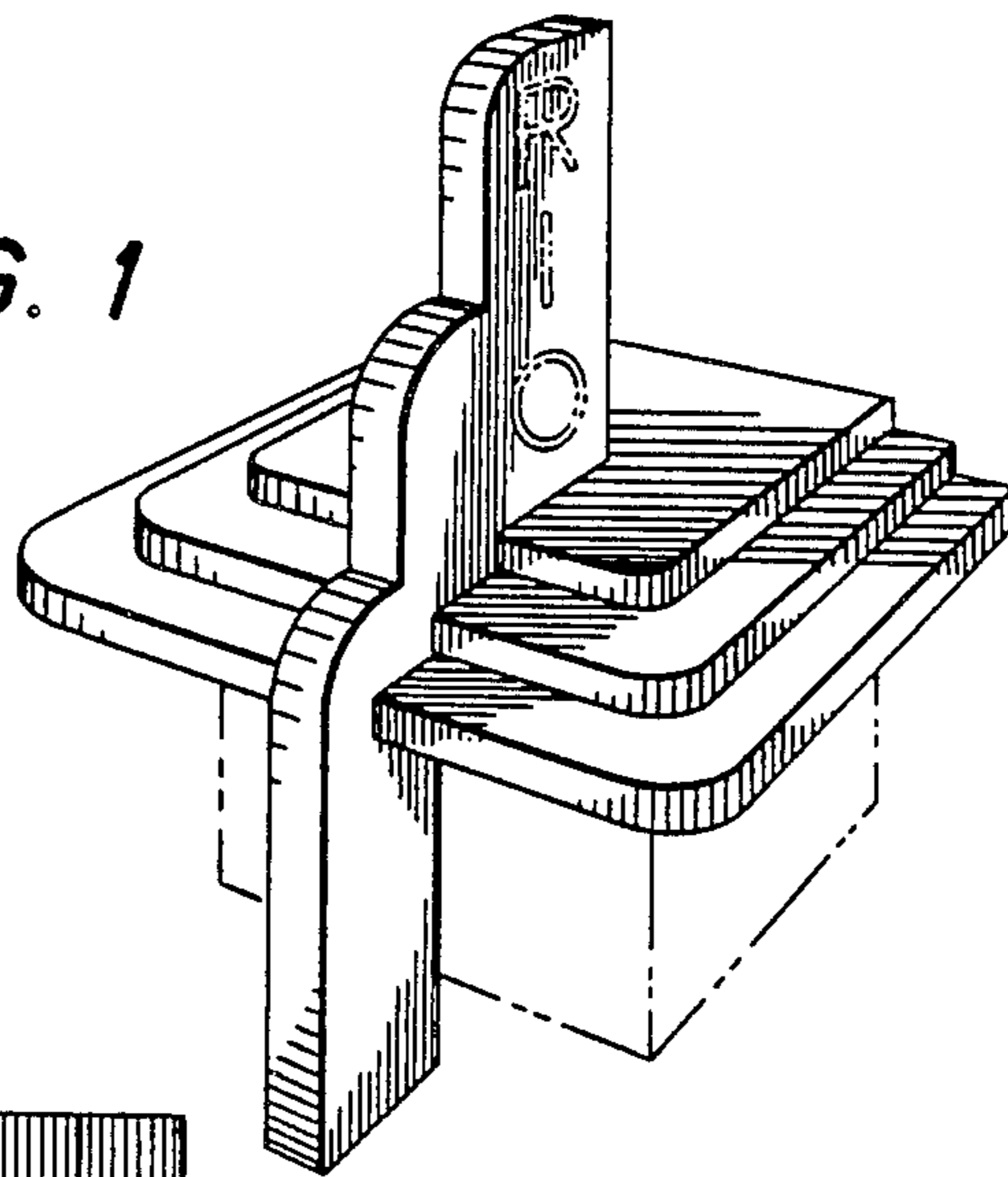


FIG. 2

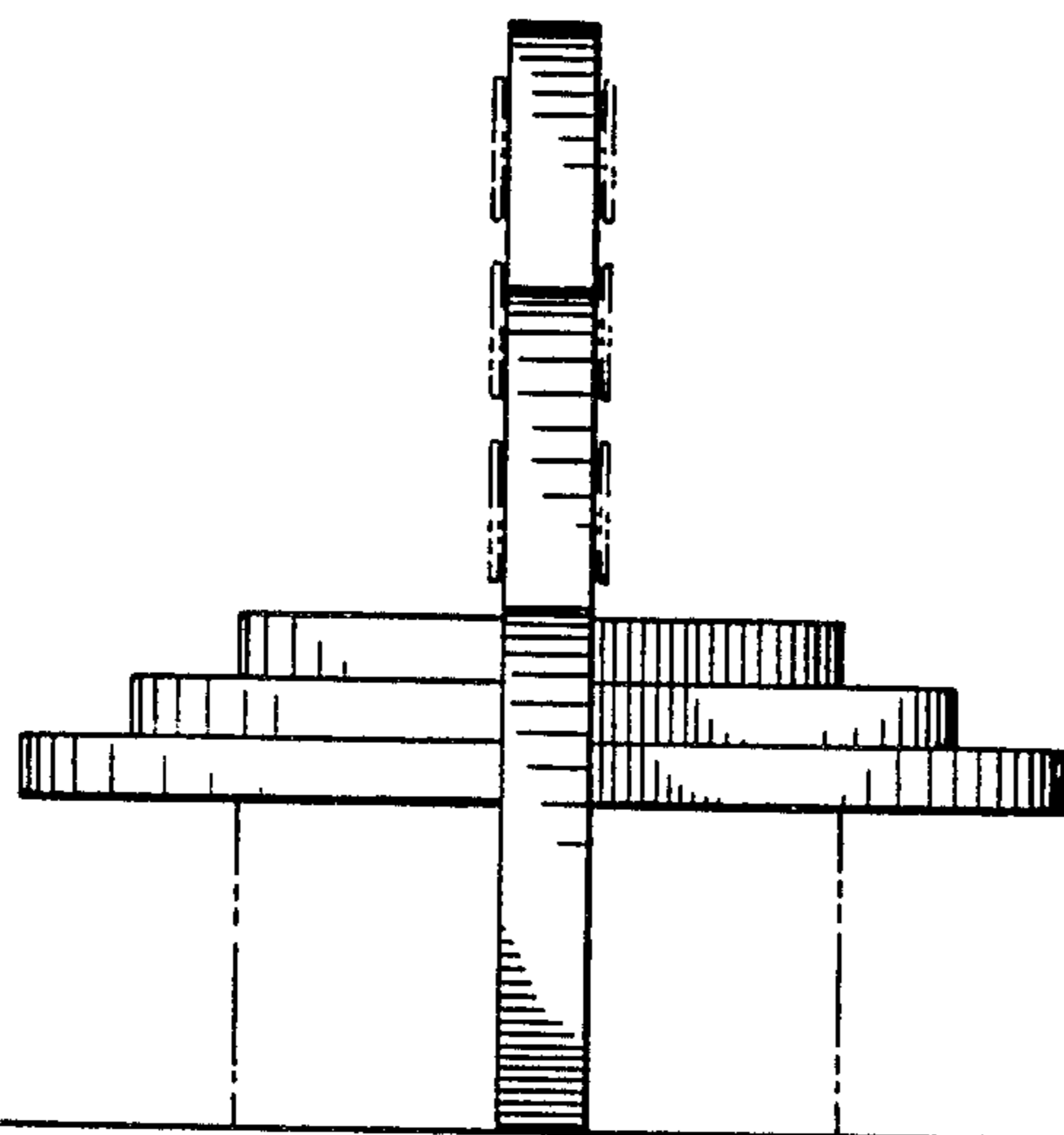


FIG. 3

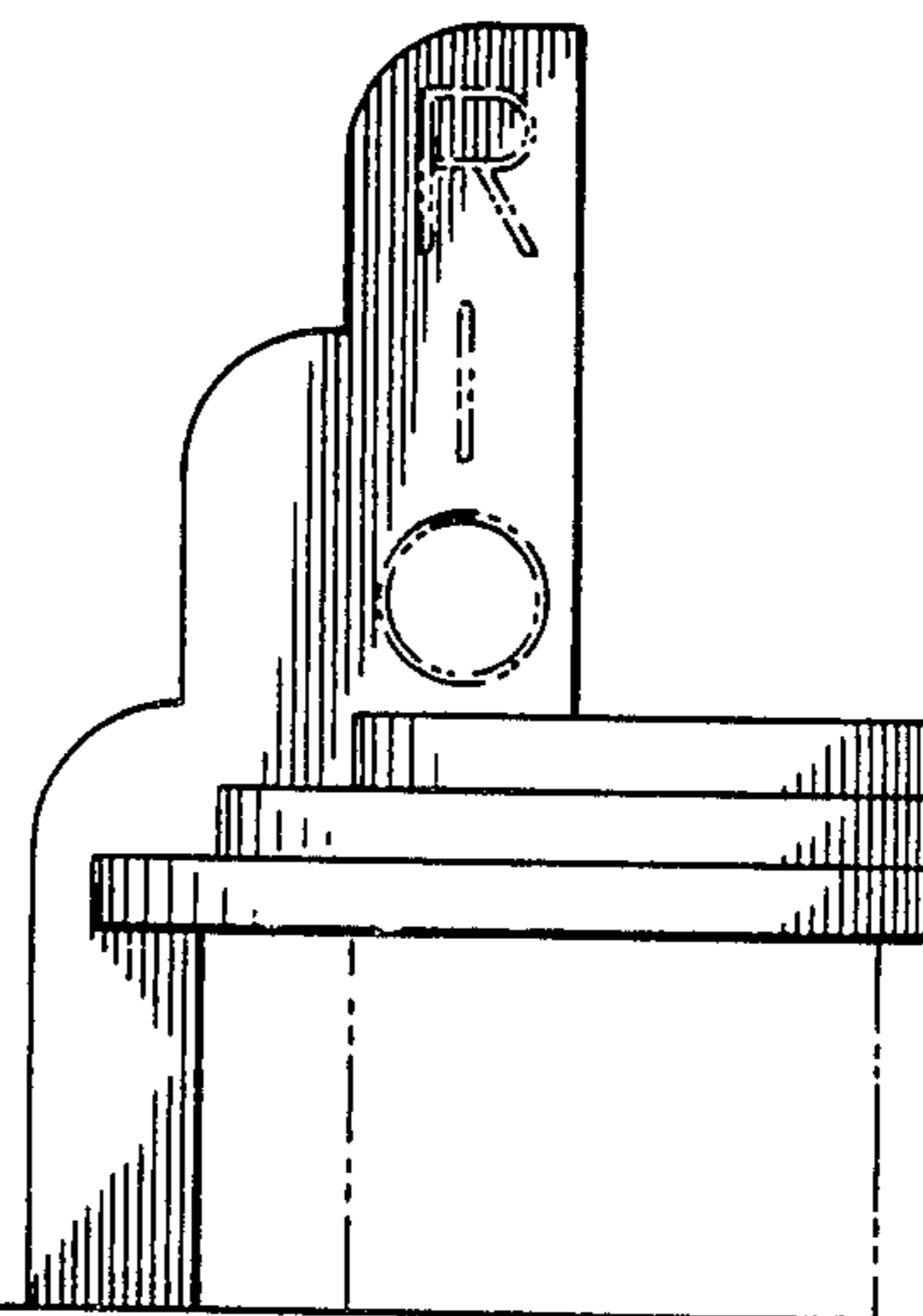


FIG. 4