

[54] SPA TUB

[75] Inventors: Dale R. Brodeur, Guilford; Arno Schulz, Durham, both of Conn.

[73] Assignee: FME, Inc., Wallingford, Conn.

[**] Term: 14 Years

[21] Appl. No.: 636,324

[22] Filed: Jul. 31, 1984

[52] U.S. Cl. D24/38; D24/36

[58] Field of Search D24/38, 36, 37; D23/55, D23/56; 4/488, 492, 506, 513, 541, 542, 590, 592, 597, 611-614

[56] **References Cited**

U.S. PATENT DOCUMENTS

4,339,833 7/1982 Mandell 4/492 X

OTHER PUBLICATIONS

Spa and Sauna Trade Journal, Jul.-Dec. 1983, vol. 8, The Neptune Spa, p. 6, of Catalina Spas.

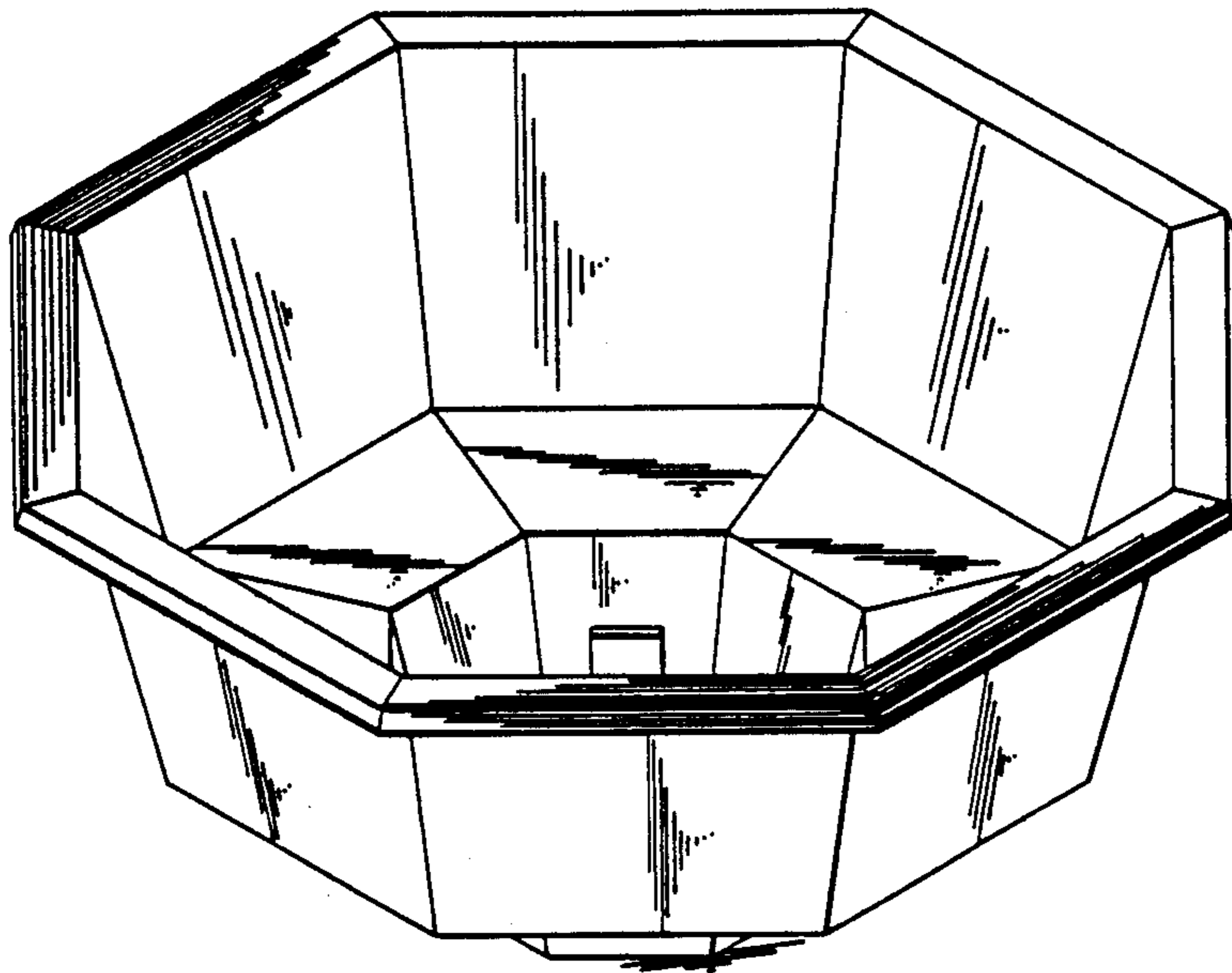
Primary Examiner—A. Hugo Word
Assistant Examiner—Stella M. Reid
Attorney, Agent, or Firm—McCormick, Paulding & Huber

[57] **CLAIM**

The ornamental design for a spa tub, as shown and described.

DESCRIPTION

FIG. 1 is a top perspective view of a spa tub embodying our new design;
FIG. 2 is an enlarged top plan view thereof;
FIG. 3 is an enlarged front elevational view thereof, all other sides being identical thereto;
FIG. 4 is an enlarged bottom plan view thereof;
FIG. 5 is a top perspective view of an alternate embodiment of the spa tub;
FIG. 6 is an enlarged top plan view thereof;
FIG. 7 is an enlarged front elevational view thereof; the rear view being identical thereto;
FIG. 8 is an enlarged bottom plan view thereof; and
FIG. 9 is an enlarged side elevational view thereof; the opposite side being identical thereto.



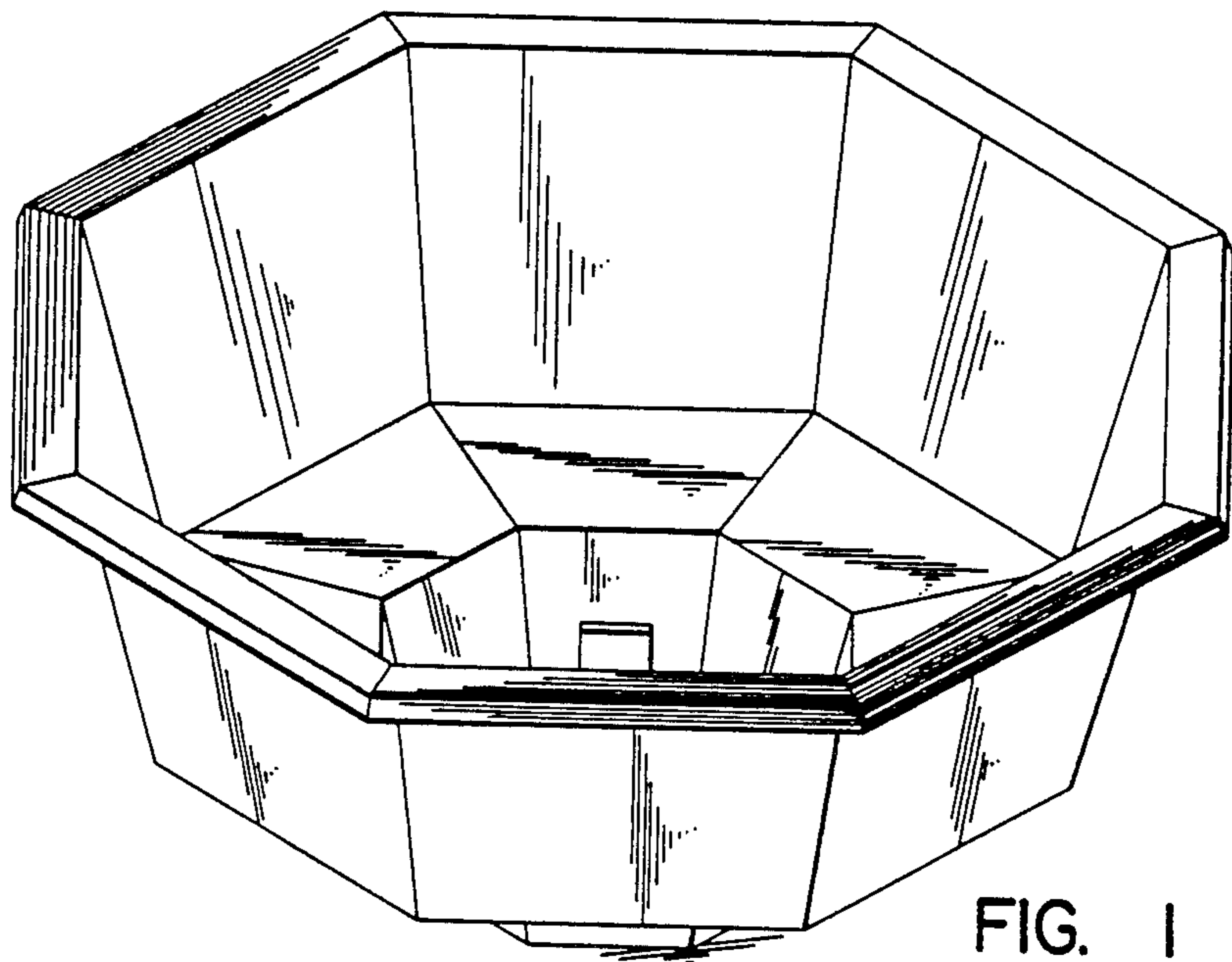


FIG. 1

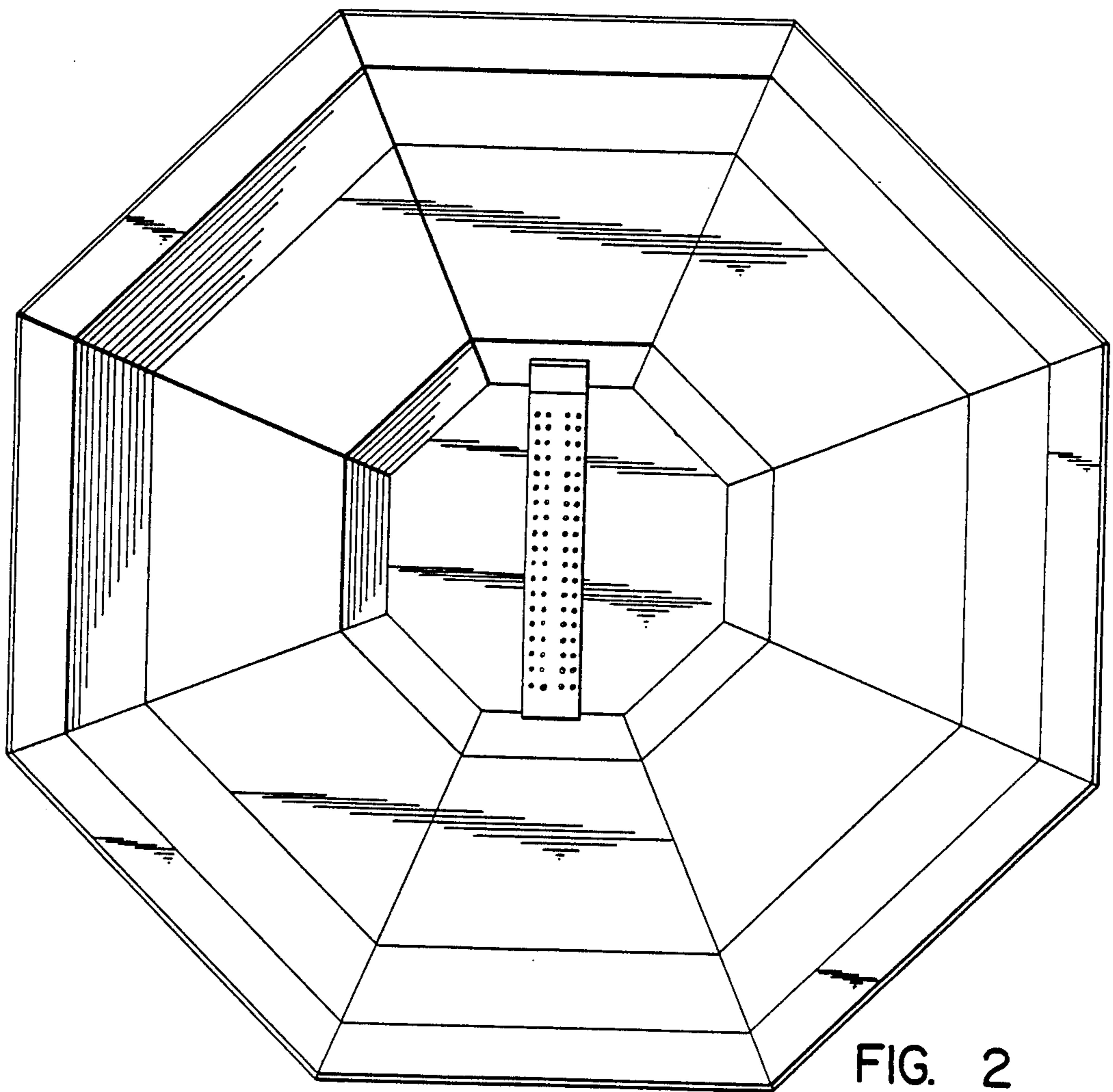


FIG. 2

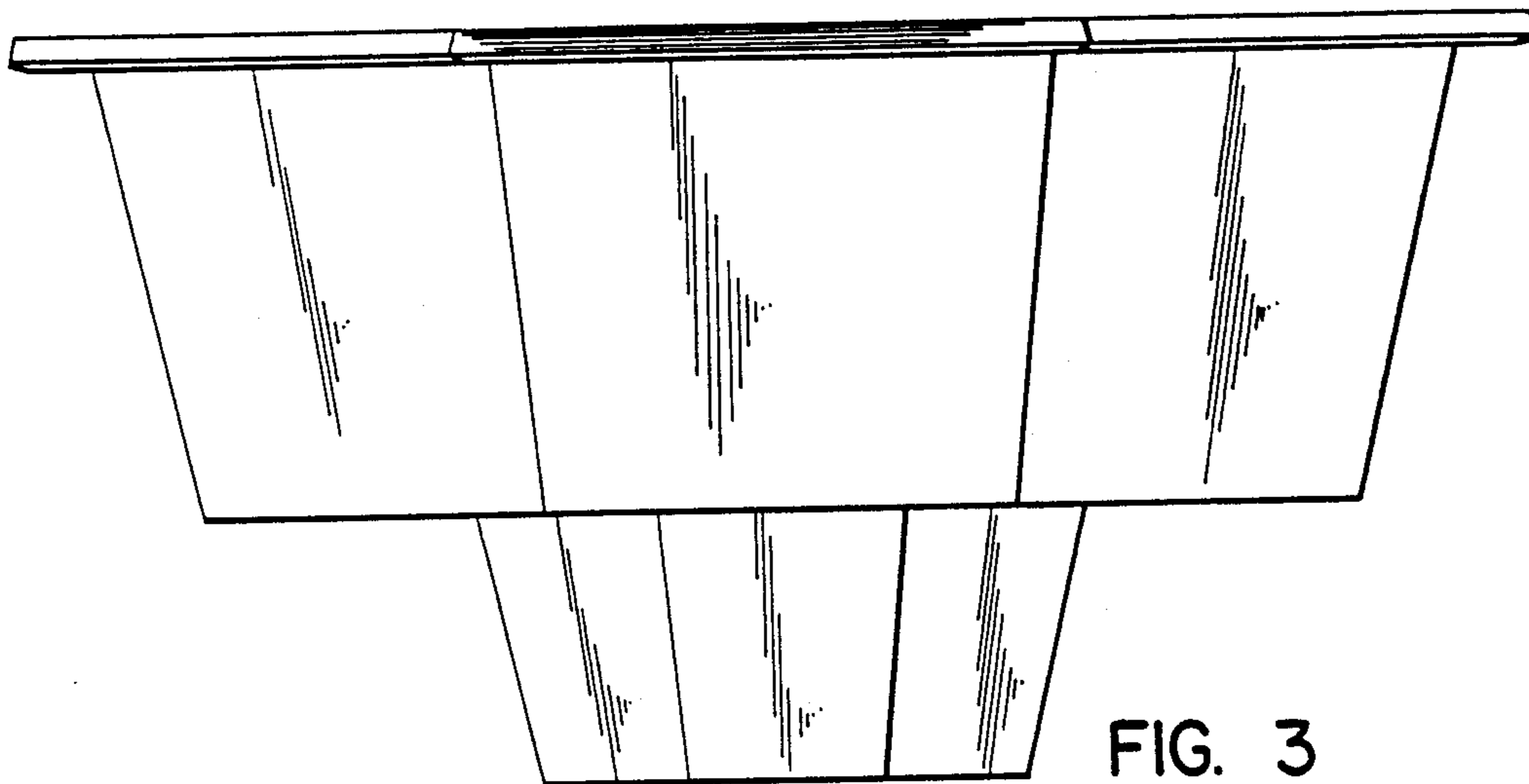


FIG. 3

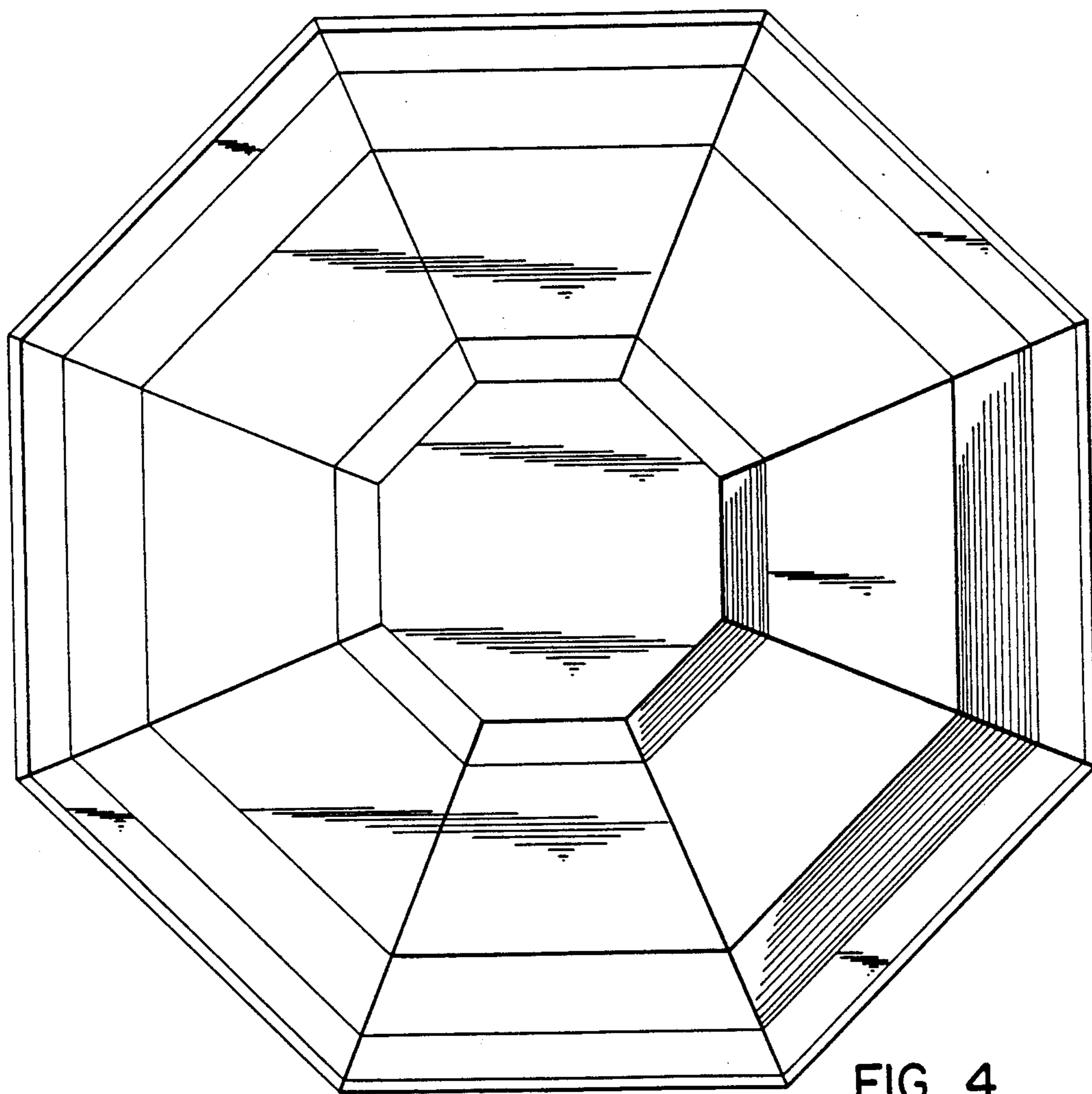


FIG. 4

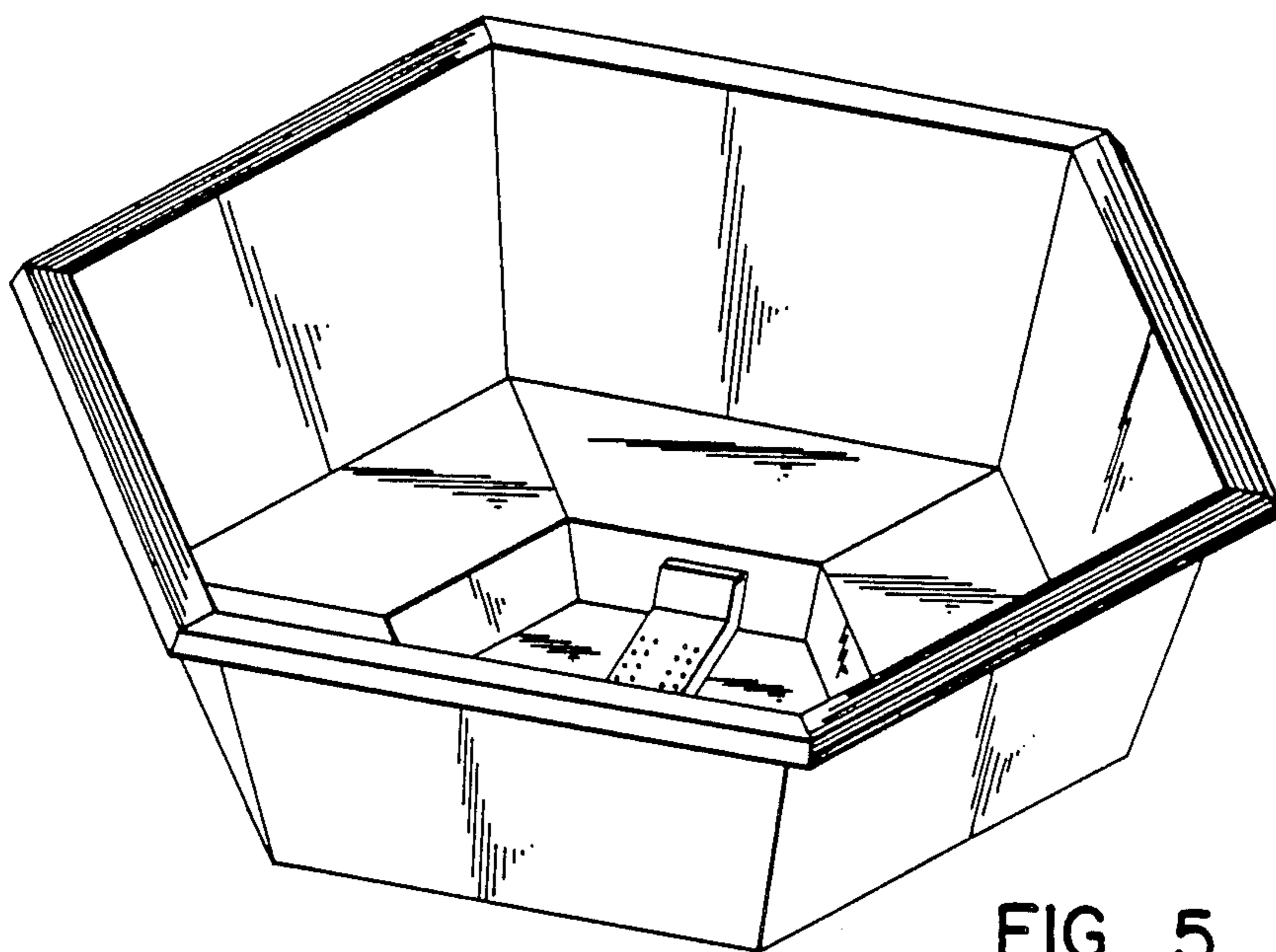


FIG. 5

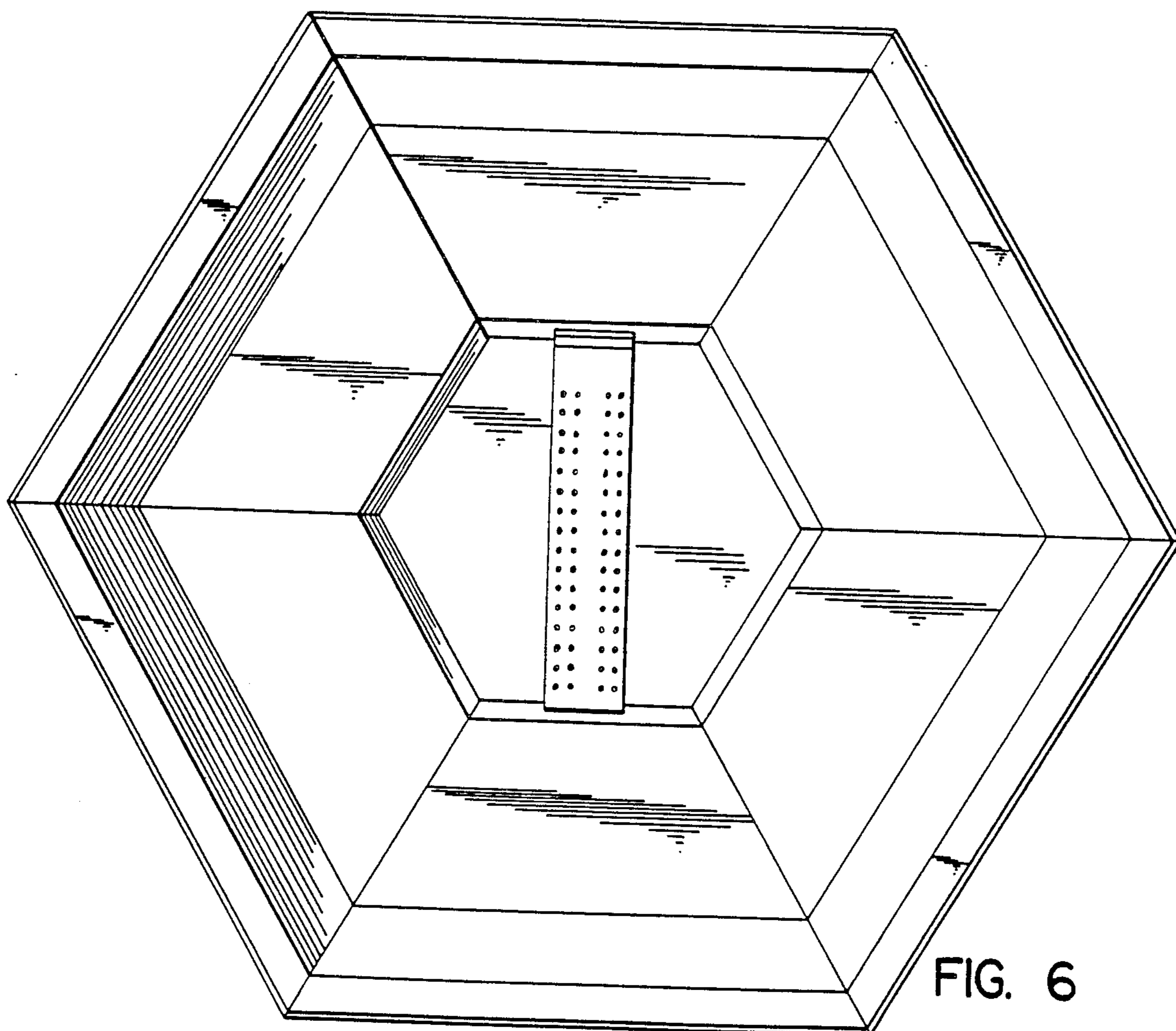


FIG. 6

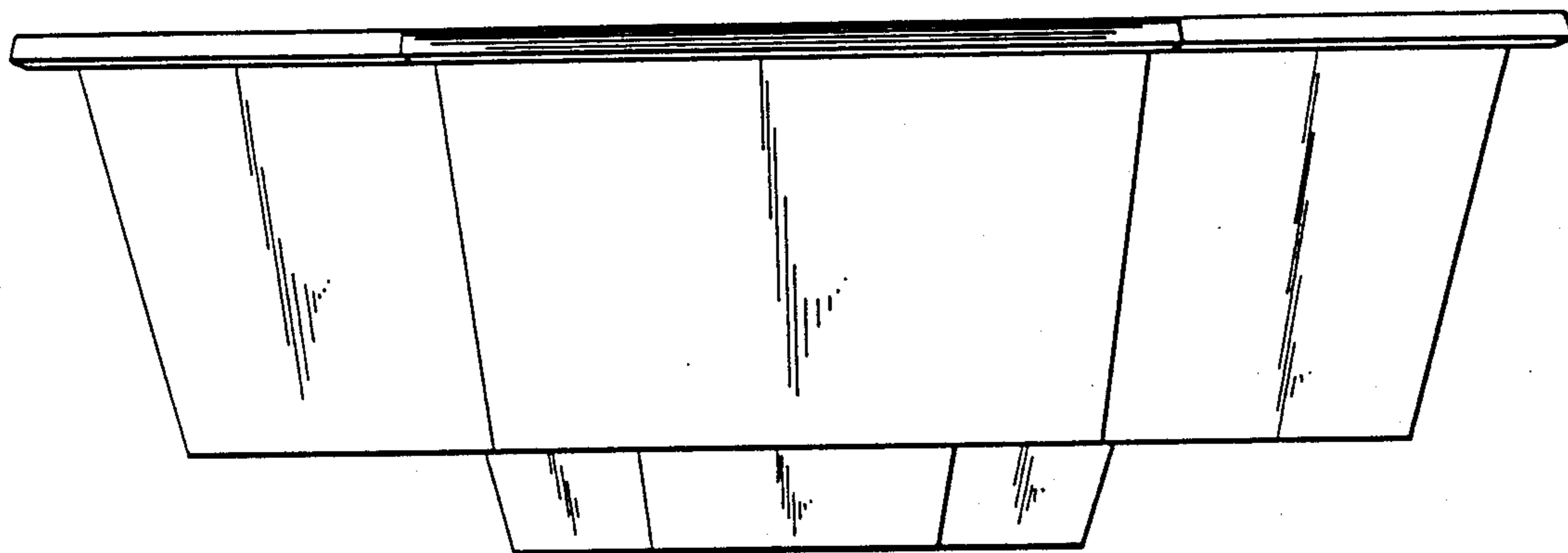


FIG. 7

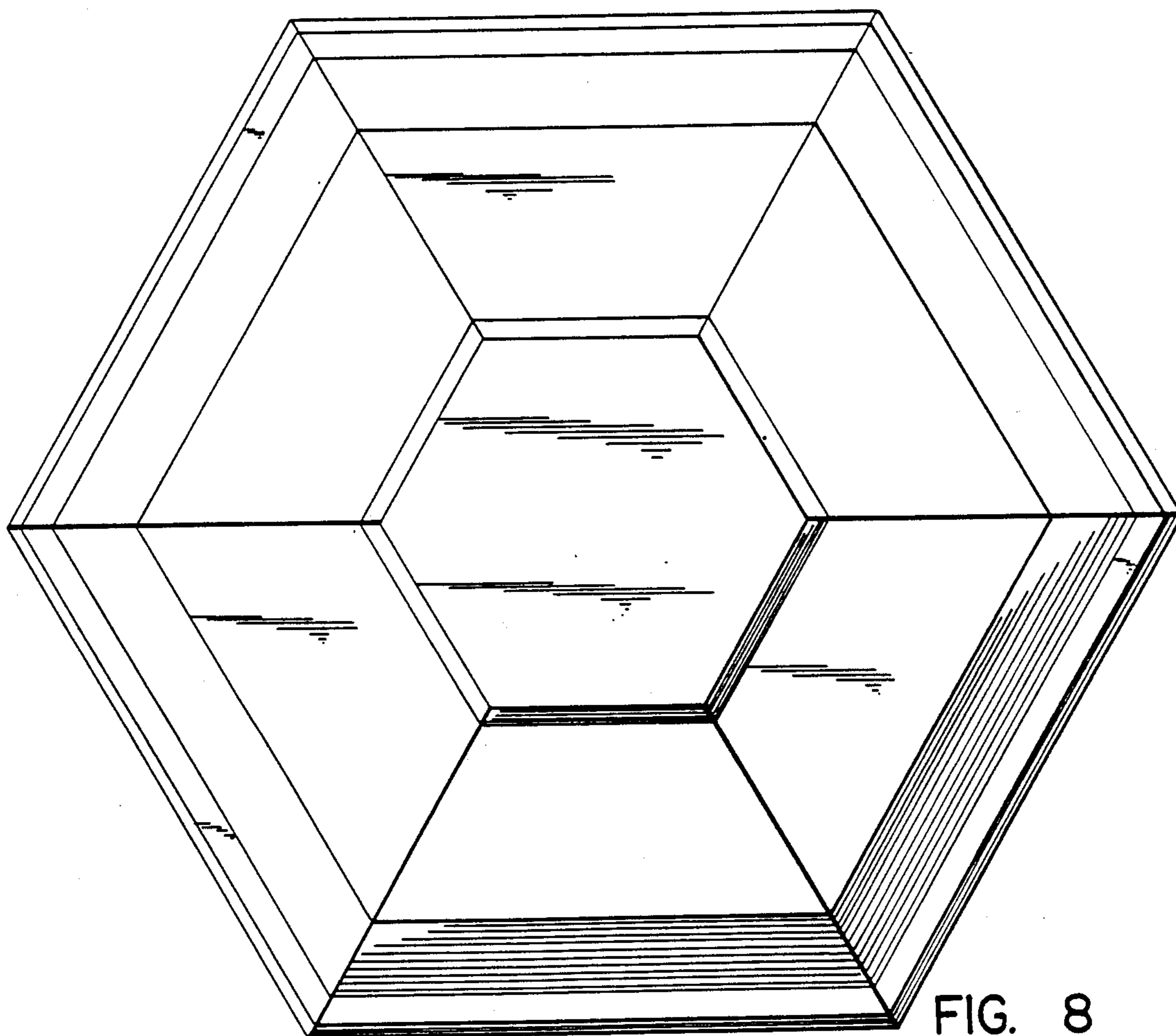


FIG. 8

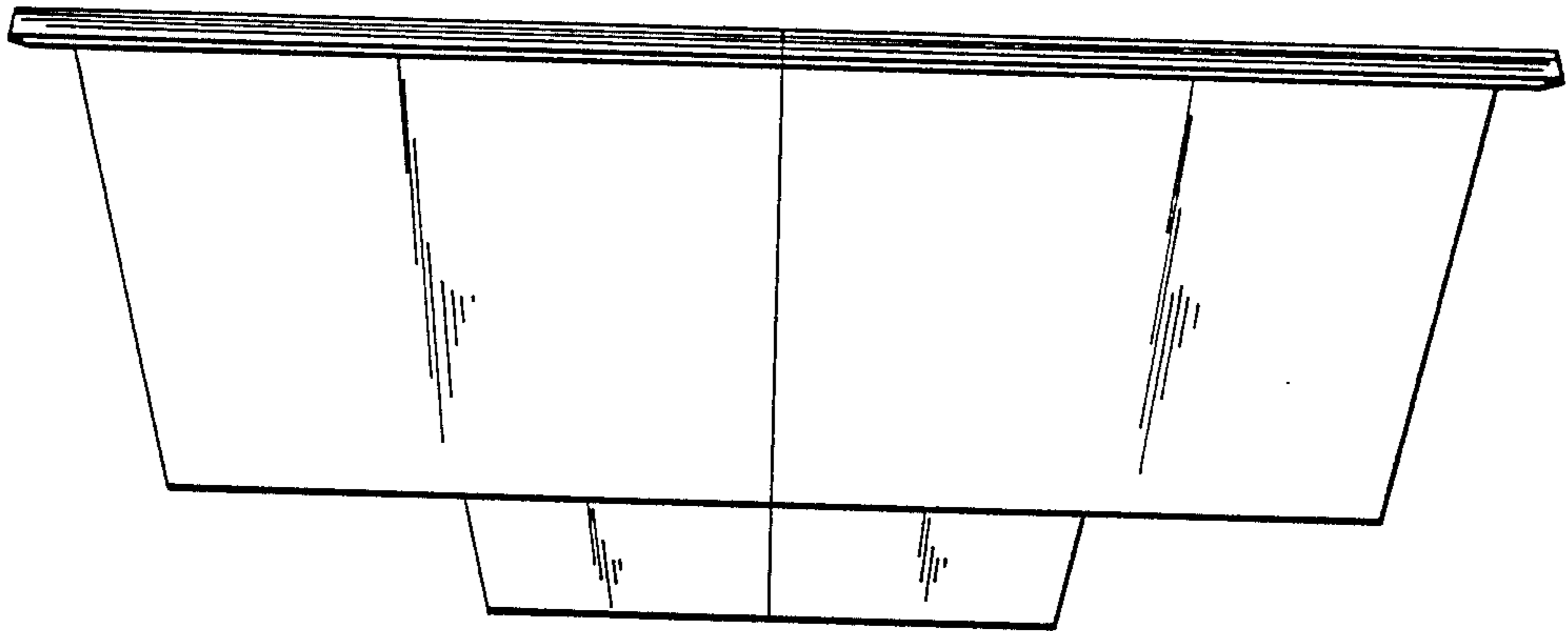


FIG. 9