

[54] **RETAINING RING FOR A PIPE JOINT**

[75] Inventors: **Tsuguo Endo, Kariya; Masaaki Takatsu, Aichi, both of Japan**

[73] Assignees: **Kurodite Industry Co.; Crea Corp., both of Aichi, Japan**

[**] Term: **14 Years**

[21] Appl. No.: **714,087**

[22] Filed: **Mar. 20, 1985**

[52] U.S. Cl. **D23/265**

[58] Field of Search **D23/40-47; 285/104, 337, 374, 404**

4,092,036 5/1978 Sato et al. 285/337
 4,417,754 11/1983 Yamaji et al. 285/337 X
 4,647,083 3/1987 Hashimoto 285/374 X

Primary Examiner—James R. Largen
Attorney, Agent, or Firm—Wenderoth, Lind & Ponack

[57] **CLAIM**

The ornamental design for retaining ring for a pipe joint, substantially as shown and described.

DESCRIPTION

FIG. 1 is a front elevational view of a retaining ring for a pipe joint showing our new design;
 FIG. 2 is a cross sectional view taken on line II—II of FIG. 1;
 FIG. 3 is a bottom plan view thereof, the top being the same as the bottom shown;
 FIG. 4 is a rear elevational view thereof;
 FIG. 5 is a side elevational view thereof, the opposite side being the same as the side shown; and,
 FIG. 6 is a cross sectional view taken on line VI—VI of FIG. 1.

References Cited

U.S. PATENT DOCUMENTS

D. 208,388 8/1967 Graham D23/43
 D. 284,022 5/1986 Milot et al. D23/43
 3,333,872 8/1967 Crawford, Sr. et al. 285/374
 3,433,509 3/1969 Jeffery et al. 285/374
 3,726,549 4/1973 Bradley, Jr. 285/374 X

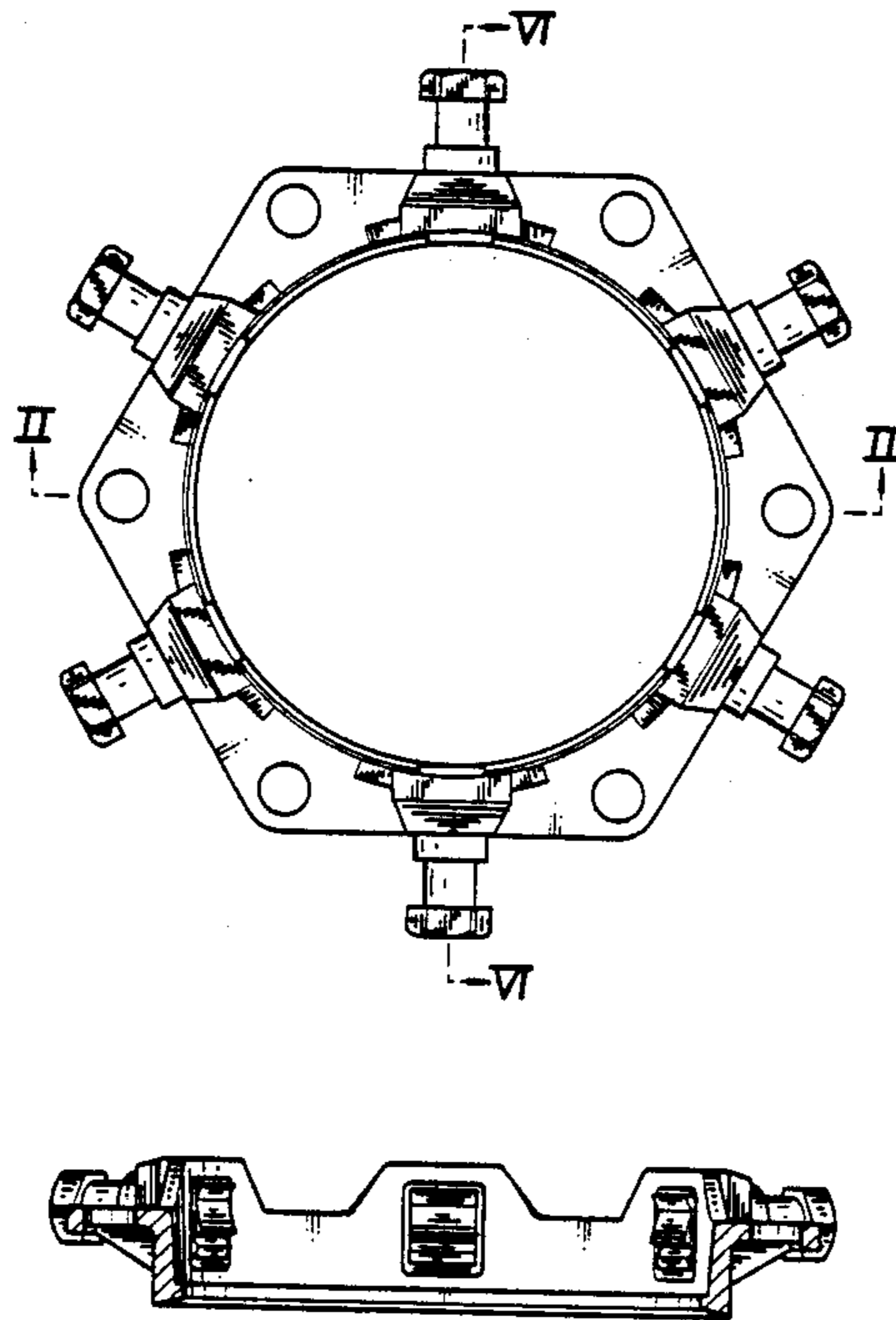


FIG. 1

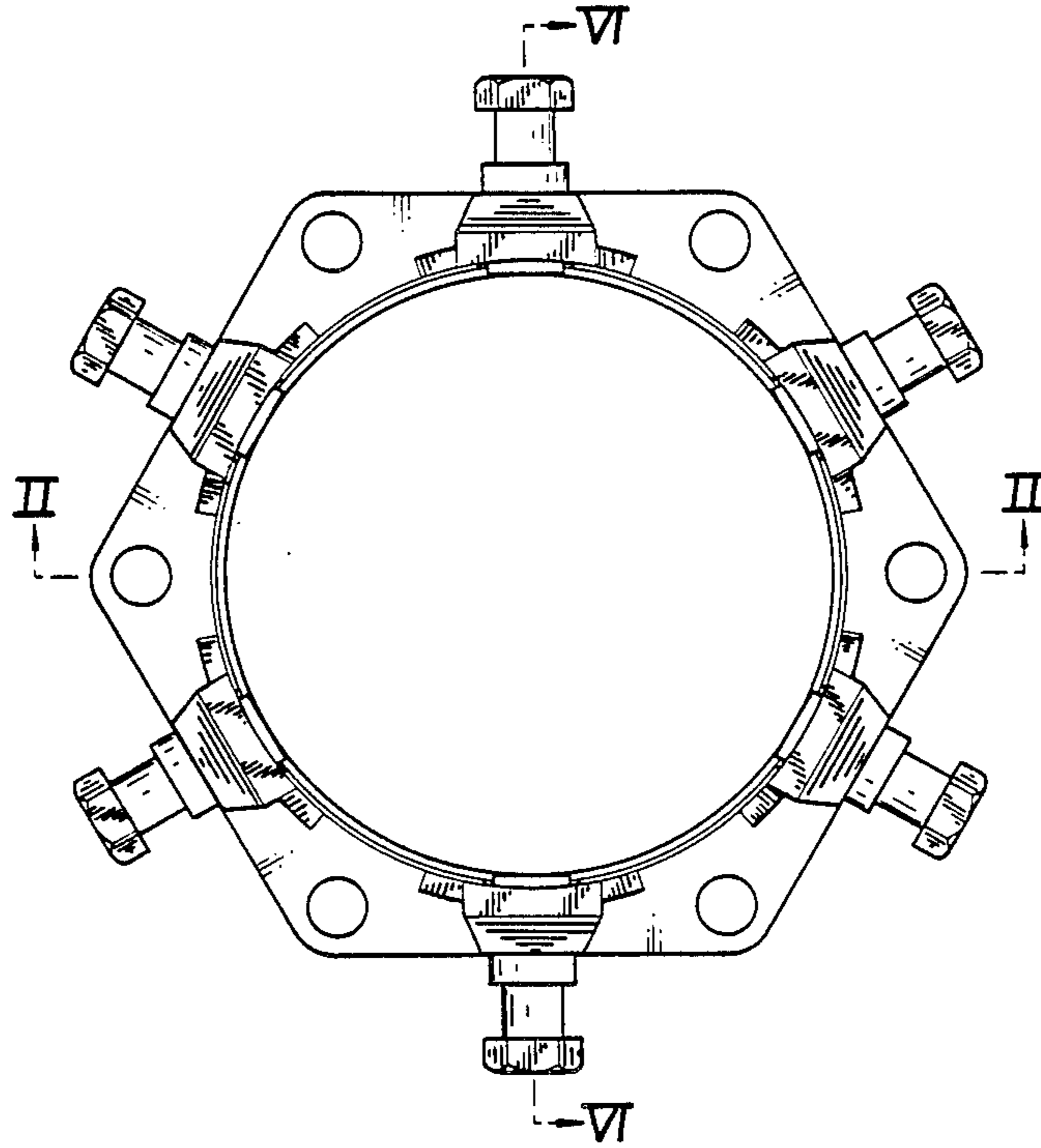


FIG. 2

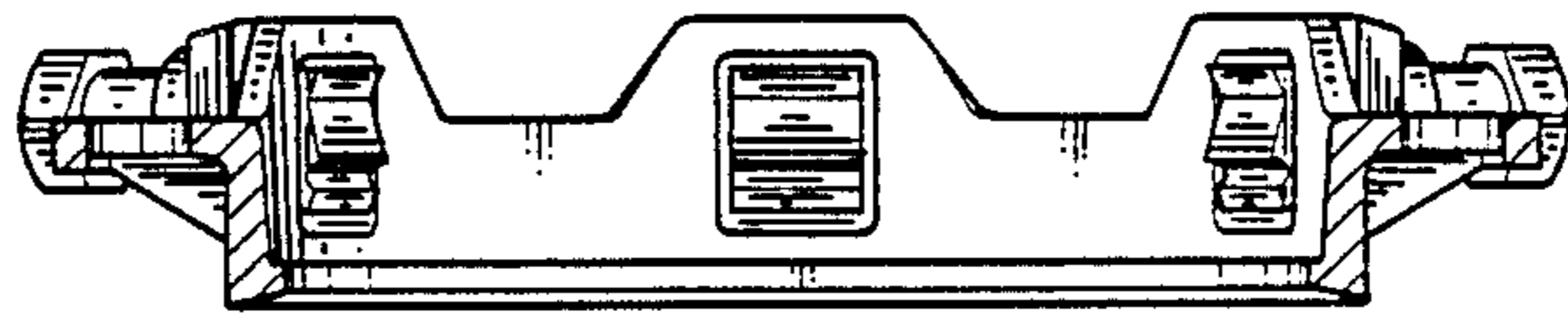


FIG. 3

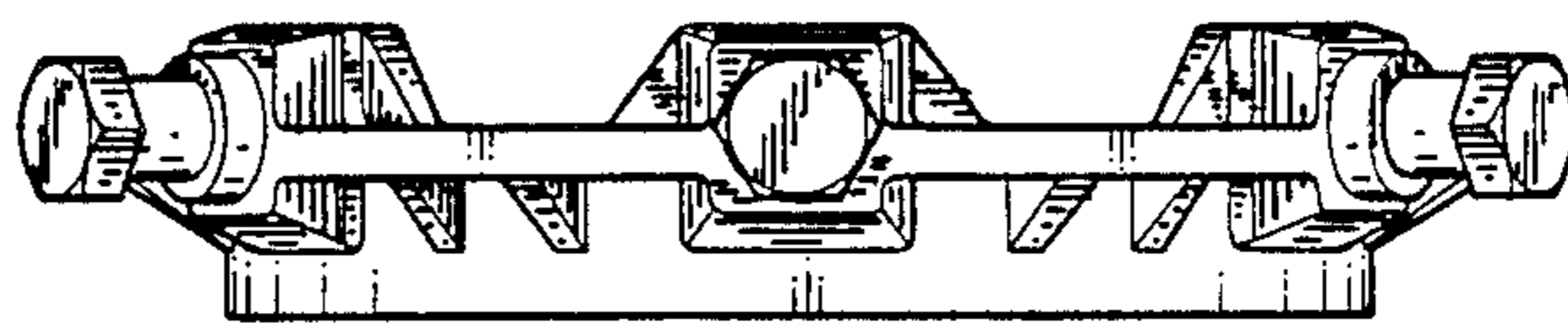


FIG. 4

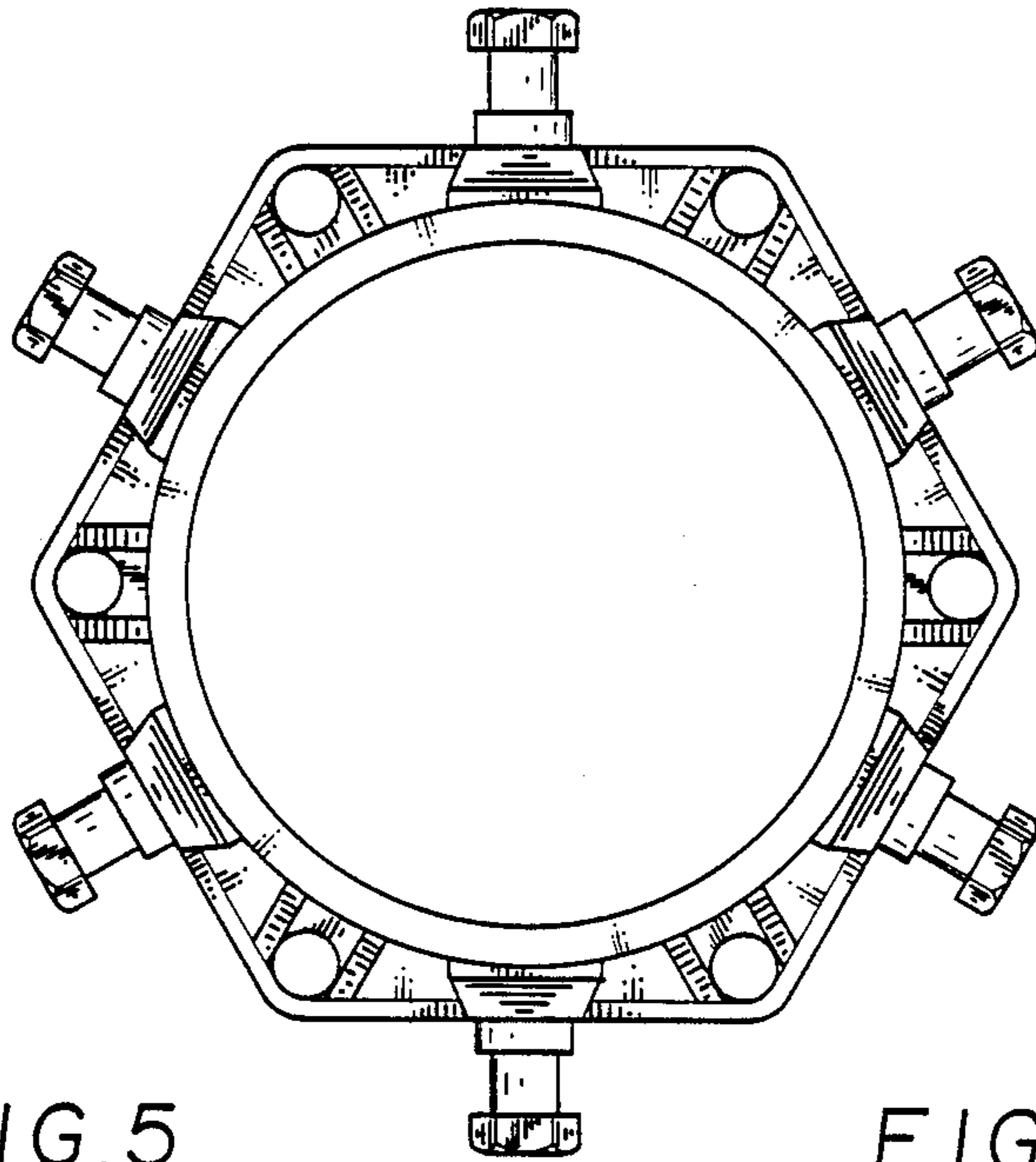


FIG. 5

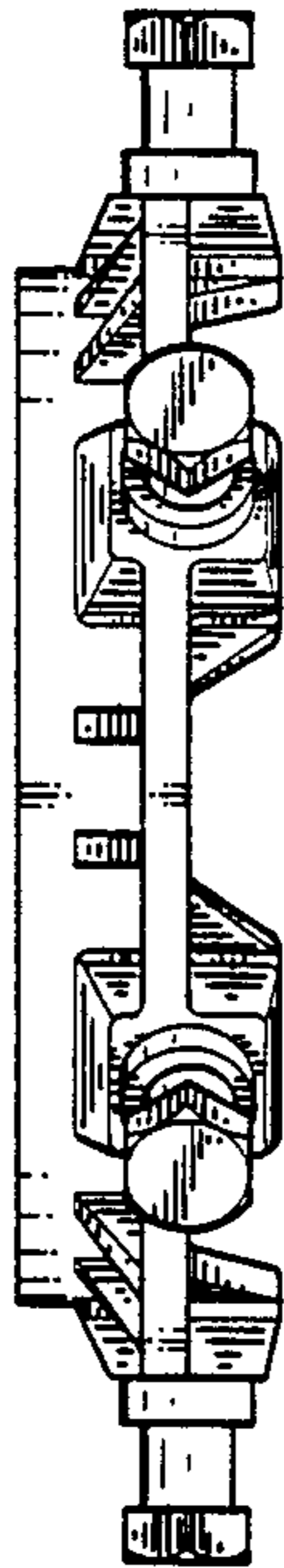


FIG. 6

