

[54] TOILET TANK FILL VALVE

[76] Inventor: Ou Pi-Yu, 9, Alley 2, Lane 247, Kuang Chou Road, Tainan, Taiwan

[**] Term: 14 Years

[21] Appl. No.: 729,214

[22] Filed: May 1, 1985

[52] U.S. Cl. D23/236

[58] Field of Search D23/19-22, D23/33, 40; 137/217, 218, 414, 426, 430, 432, 433, 435, 436, 437, 442, 444

[56] References Cited

U.S. PATENT DOCUMENTS

- D. 195,807 7/1963 Goldtrap D23/40
- D. 206,850 1/1967 Schoepe et al. D23/40
- D. 214,050 5/1969 Hudson D23/40
- D. 245,172 7/1977 Schoepe D23/40
- 3,797,518 3/1974 Holm et al. 137/442 X
- 3,895,645 7/1975 Johnson 137/414 X

- 4,180,096 12/1979 Johnson 137/414 X
- 4,182,364 1/1980 Gilbert et al. 137/437 X
- 4,414,998 11/1983 Rudler et al. 137/432 X
- 4,431,024 2/1984 Gallagher 137/426 X
- 4,573,495 3/1986 Rothe et al. 137/414
- 4,574,826 3/1986 Johnson 137/426 X

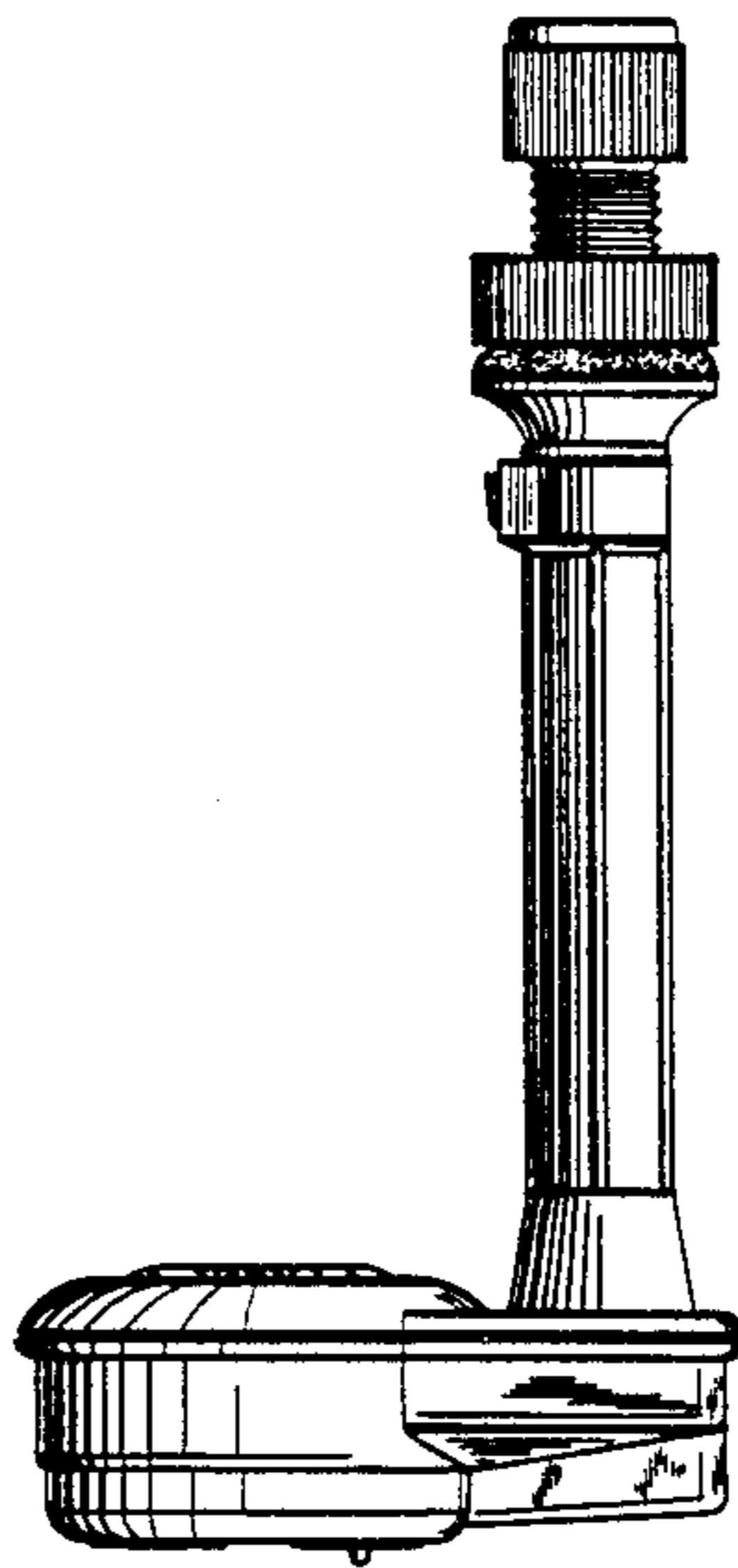
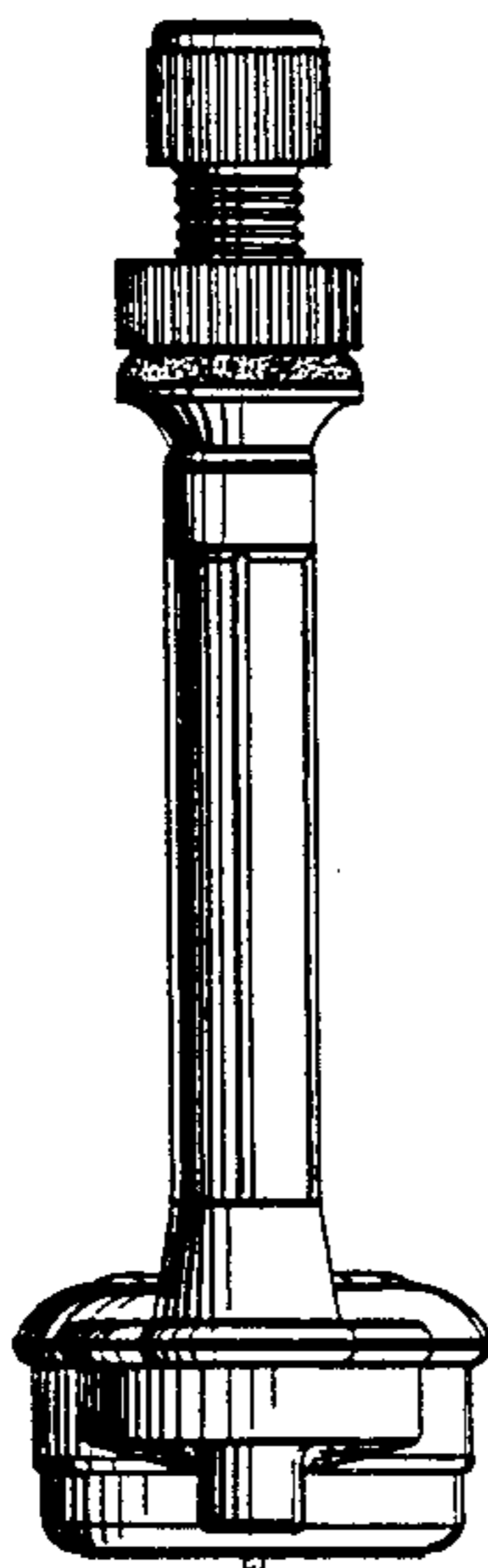
Primary Examiner—James R. Largen
Attorney, Agent, or Firm—Burns, Doane, Swecker & Mathis

[57] CLAIM

The ornamental design for a toilet tank fill valve, substantially as shown and described.

DESCRIPTION

FIG. 1 is a front elevational view of a toilet tank fill valve showing my new design, the rear being a mirror image of the front shown;
FIG. 2 is a left side elevational view thereof;
FIG. 3 is a right side elevational view thereof;
FIG. 4 is a top plan view thereof; and
FIG. 5 is a bottom plan view thereof.



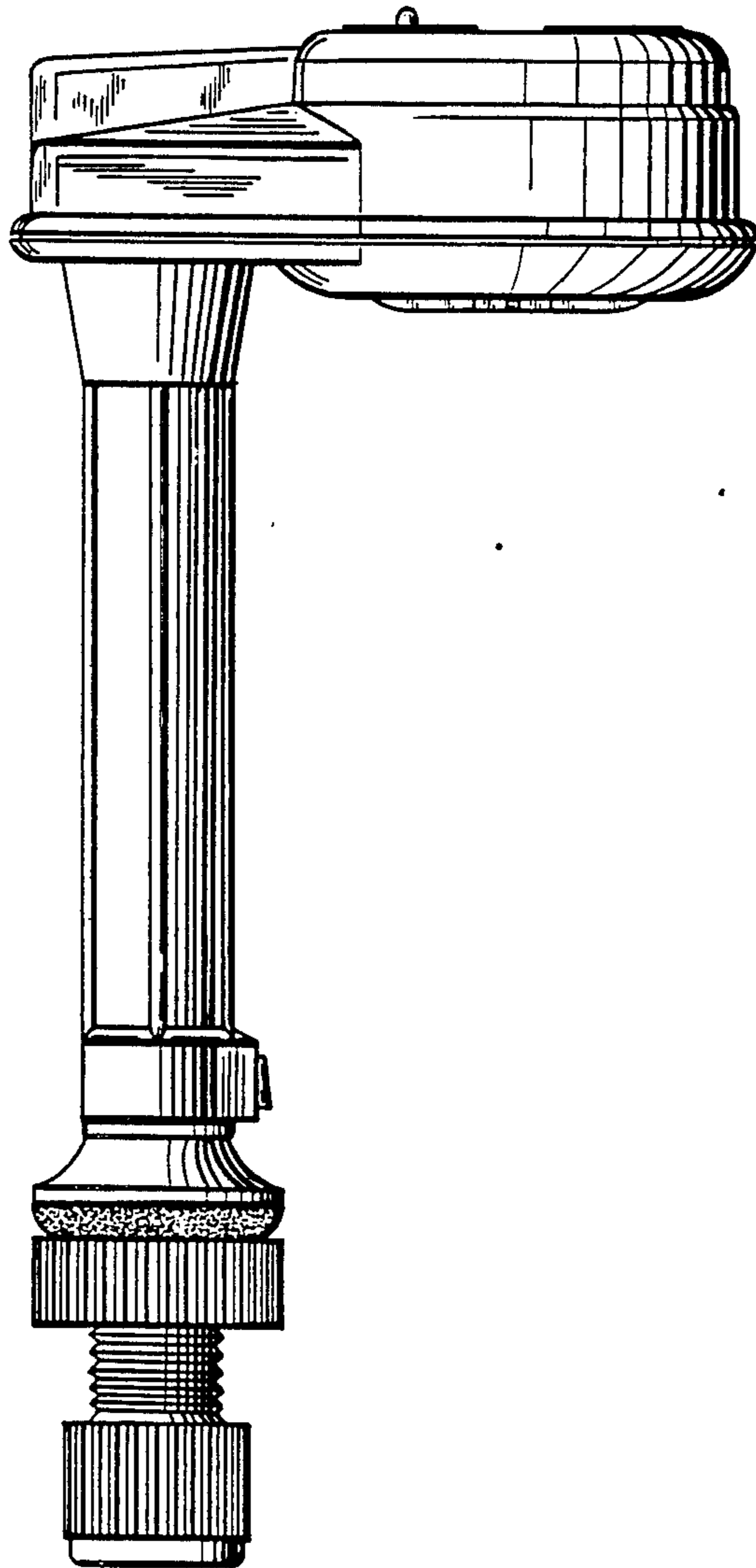


FIG. 1

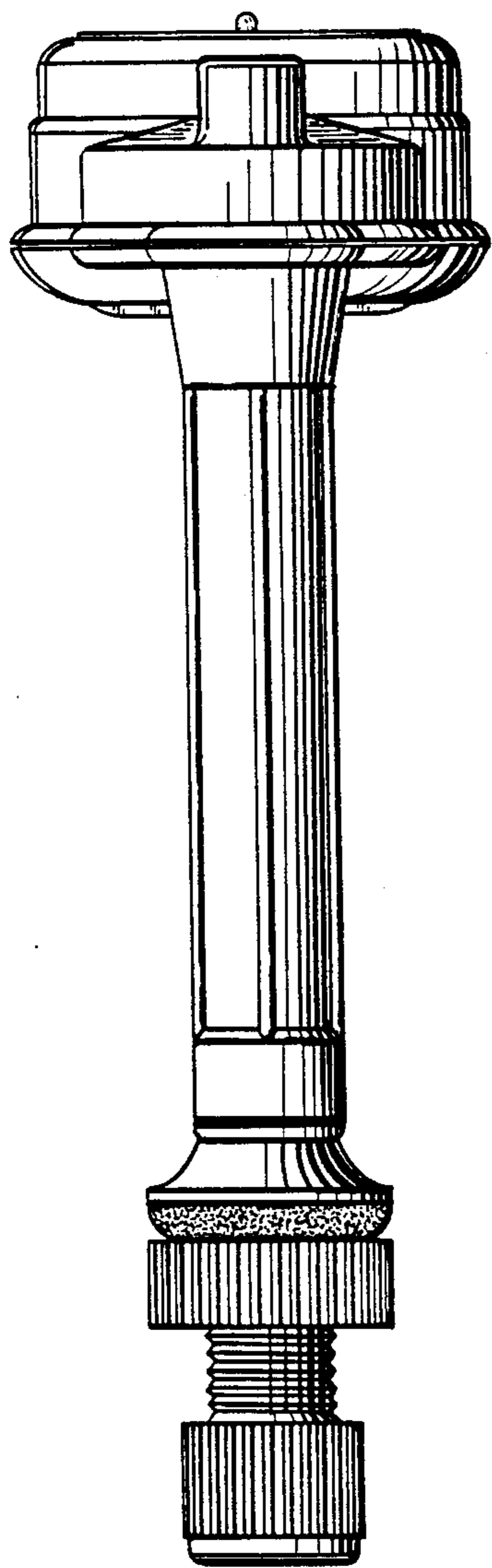


FIG. 2

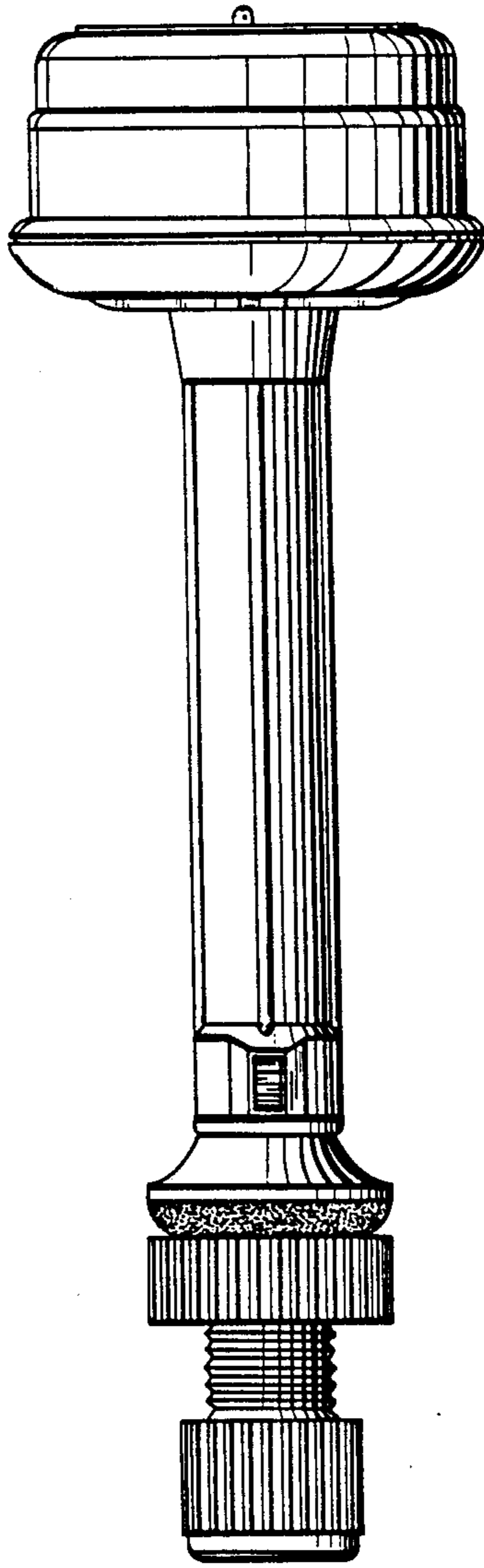


FIG. 3

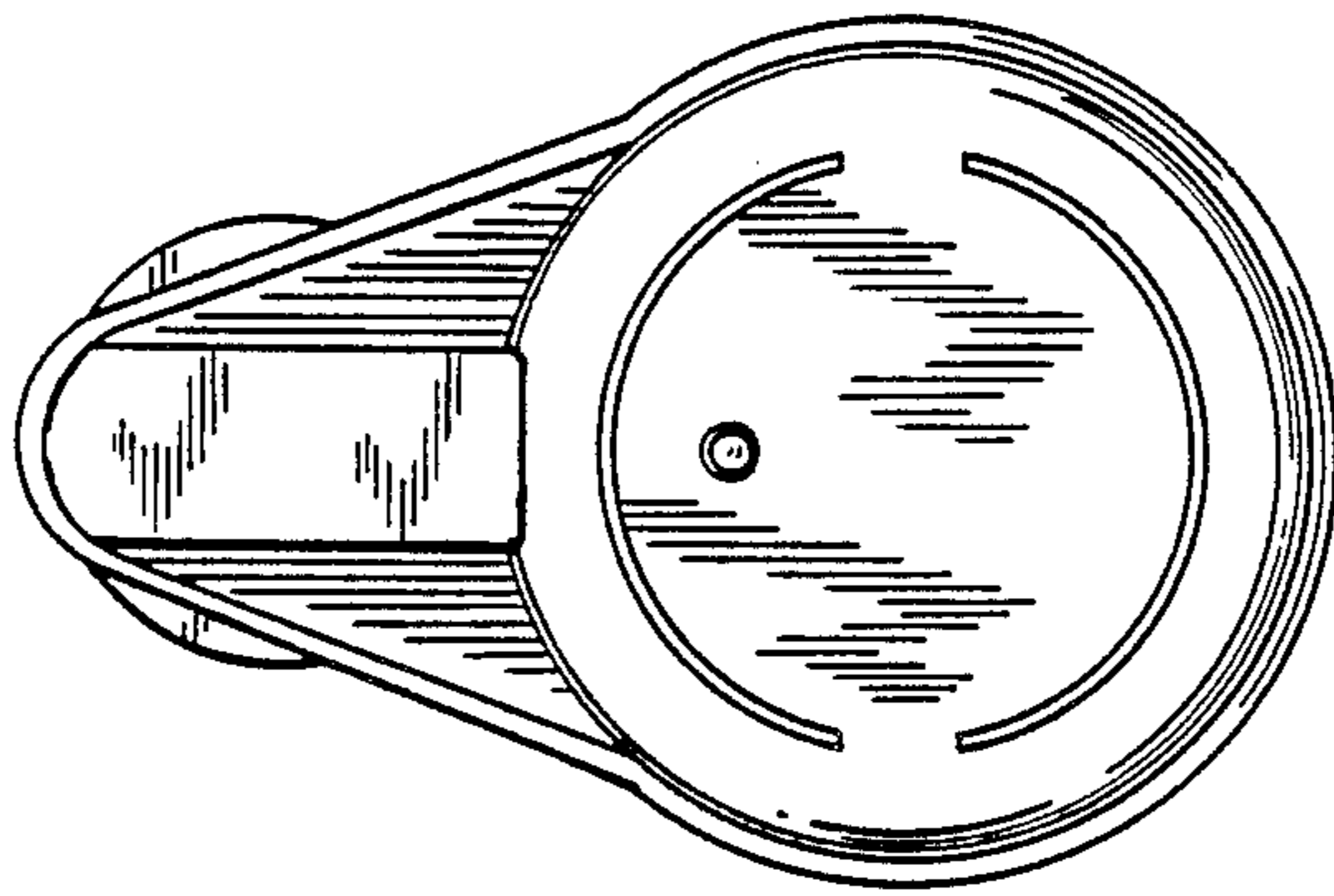


FIG. 4

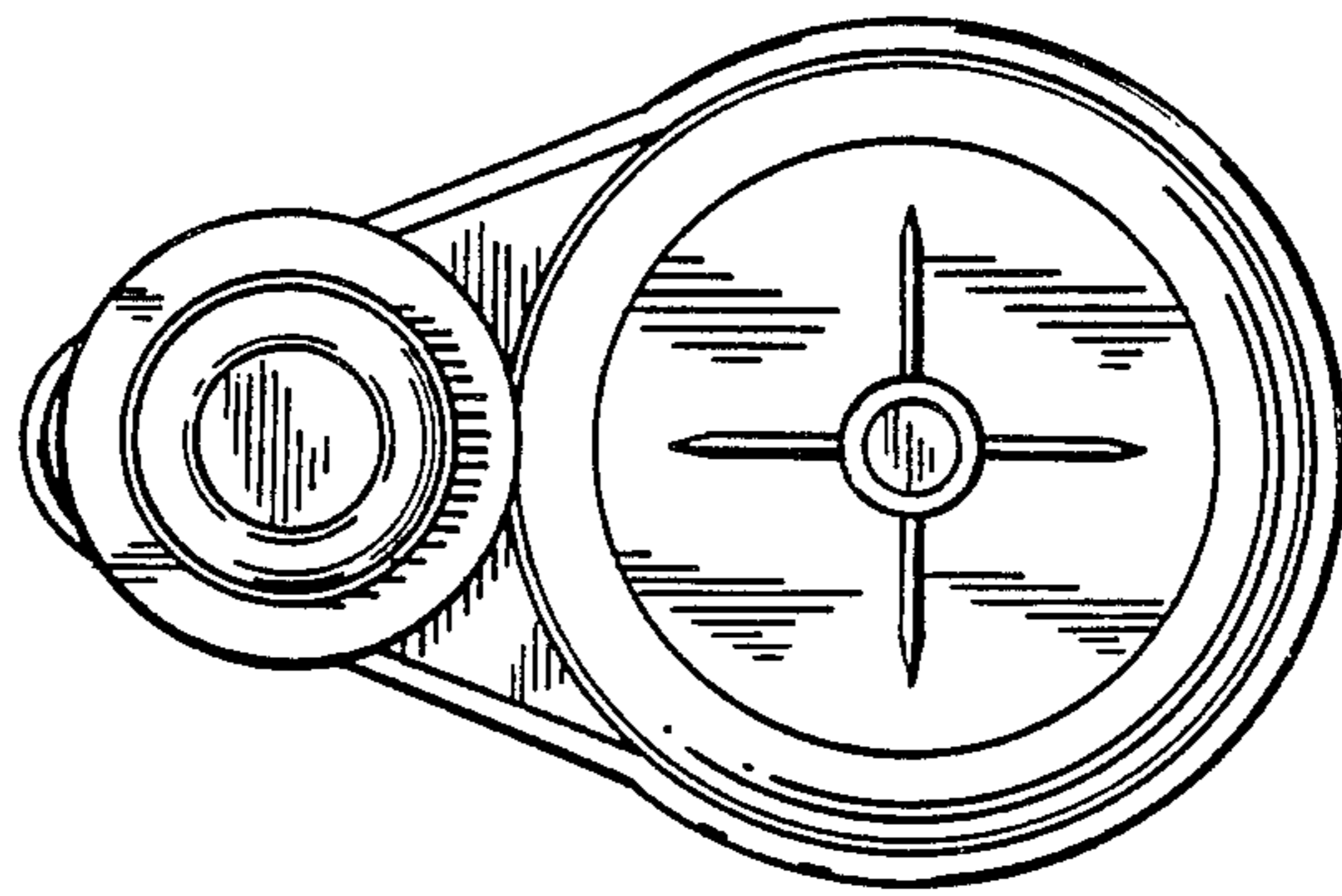


FIG. 5