

[54] BAIT CAST FISHING REEL

[75] Inventor: Richard J. Robbins, Derby, Kans.

[73] Assignee: Zebco Corporation, Tulsa, Okla.

[**] Term: 14 Years

[21] Appl. No.: 761,074

[22] Filed: Jul. 31, 1985

[52] U.S. Cl. D22/140

[58] Field of Search D22/140; 242/84.1 R,
242/84.2 R, 84.2 A

[56] References Cited

U.S. PATENT DOCUMENTS

- D. 258,904 4/1981 Myojo D22/140
- D. 265,497 7/1982 Sakamoto et al. D22/140
- D. 266,184 9/1982 Inuma et al. D22/140
- D. 269,694 7/1983 Myojo D22/140

D. 273,974 5/1984 Myojo D22/140

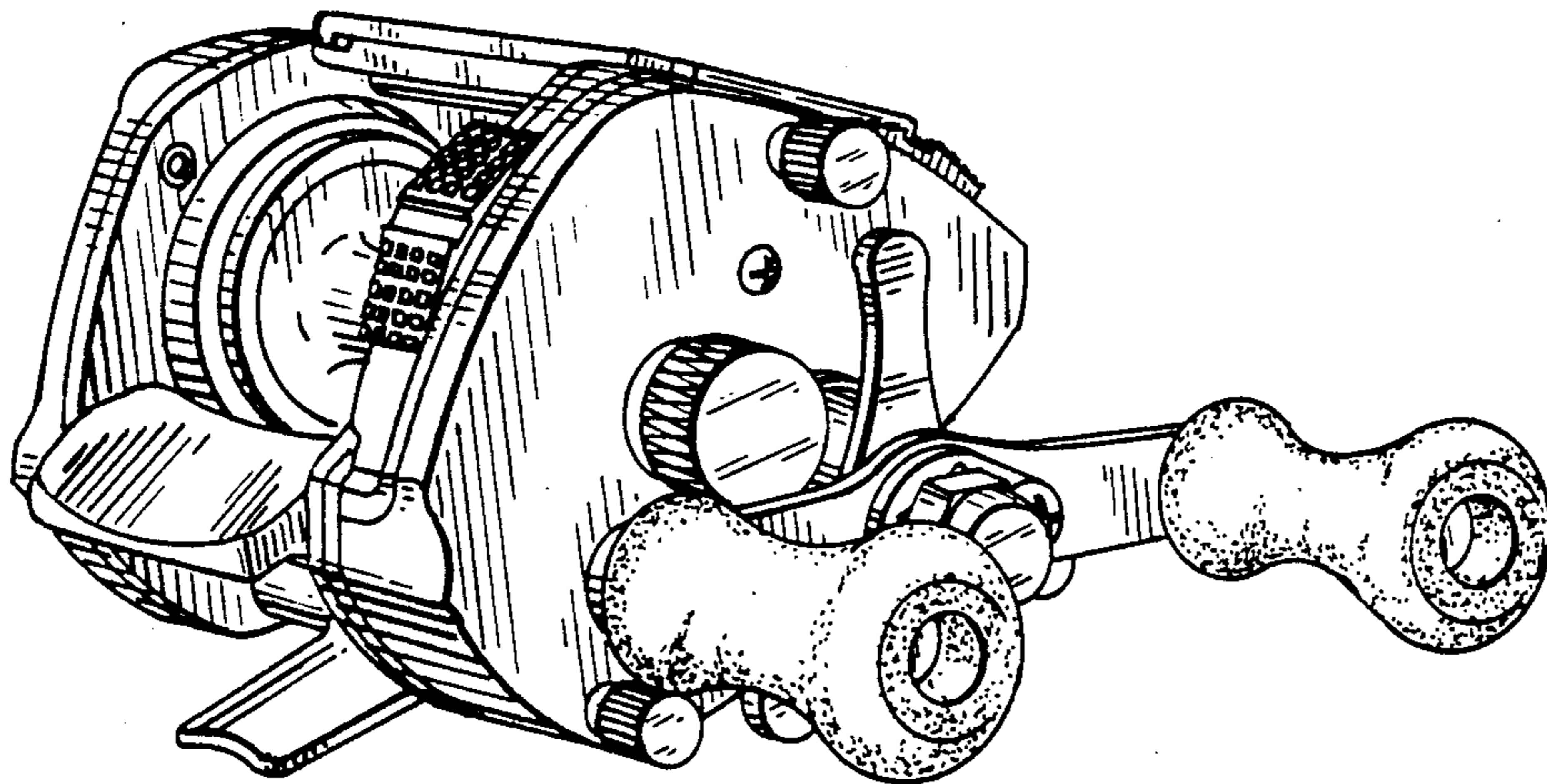
Primary Examiner—A. Hugo Word
Attorney, Agent, or Firm—Wood, Dalton, Phillips,
Mason & Rowe

[57] CLAIM

The ornamental design of a bait cast fishing reel, as shown and described.

DESCRIPTION

FIG. 1 is a perspective view of a front and side portion of a bait cast fishing reel showing my new design;
 FIG. 2 is a perspective view of a back and side portion of the fishing reel showing my new design;
 FIG. 3 is a side elevation view thereof;
 FIG. 4 is a front elevation view thereof;
 FIG. 5 is a top plan view thereof;
 FIG. 6 is a side elevational view thereof;
 FIG. 7 is a back elevation view thereof; and
 FIG. 8 is a bottom plan view thereof.



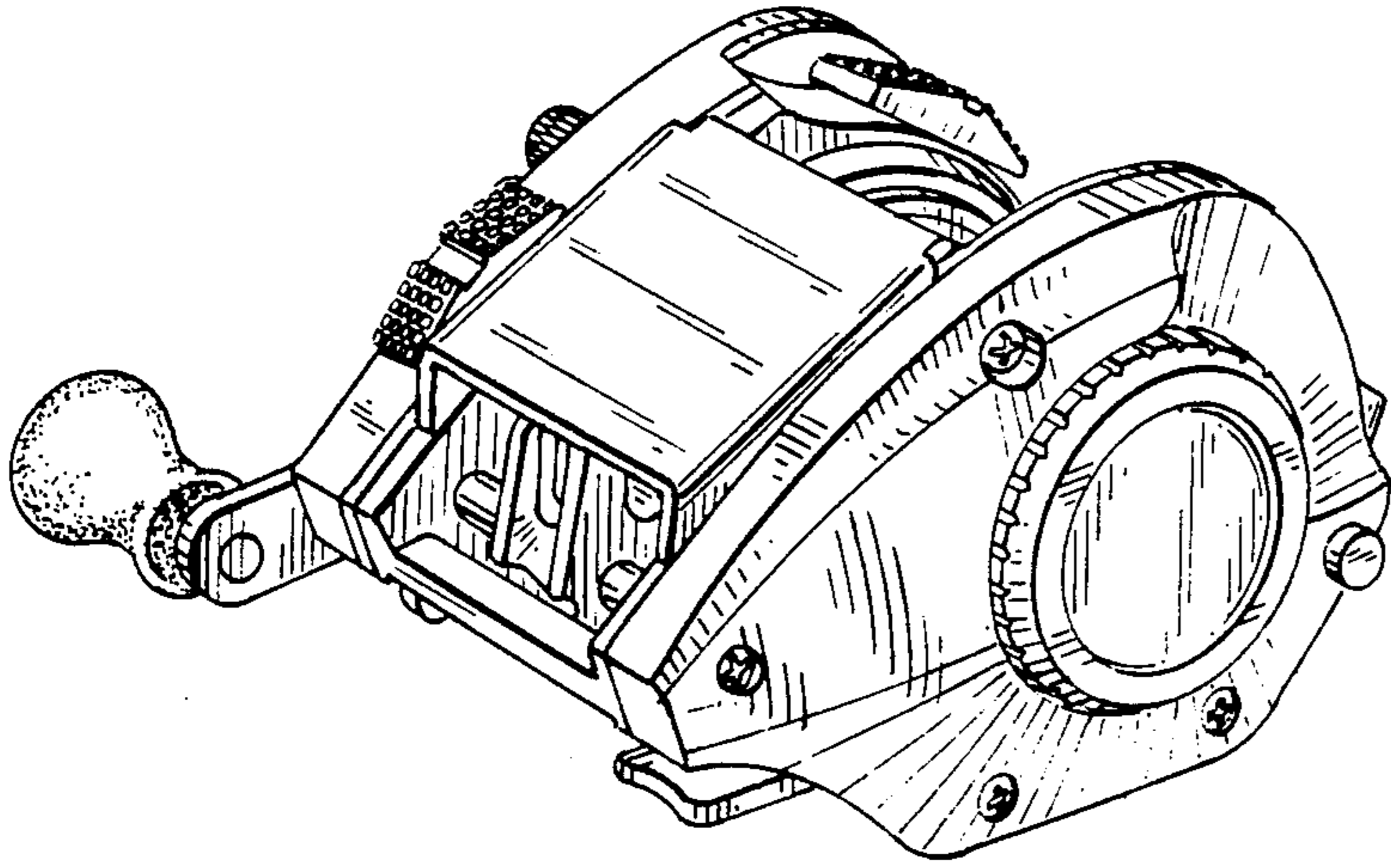


FIG. 1

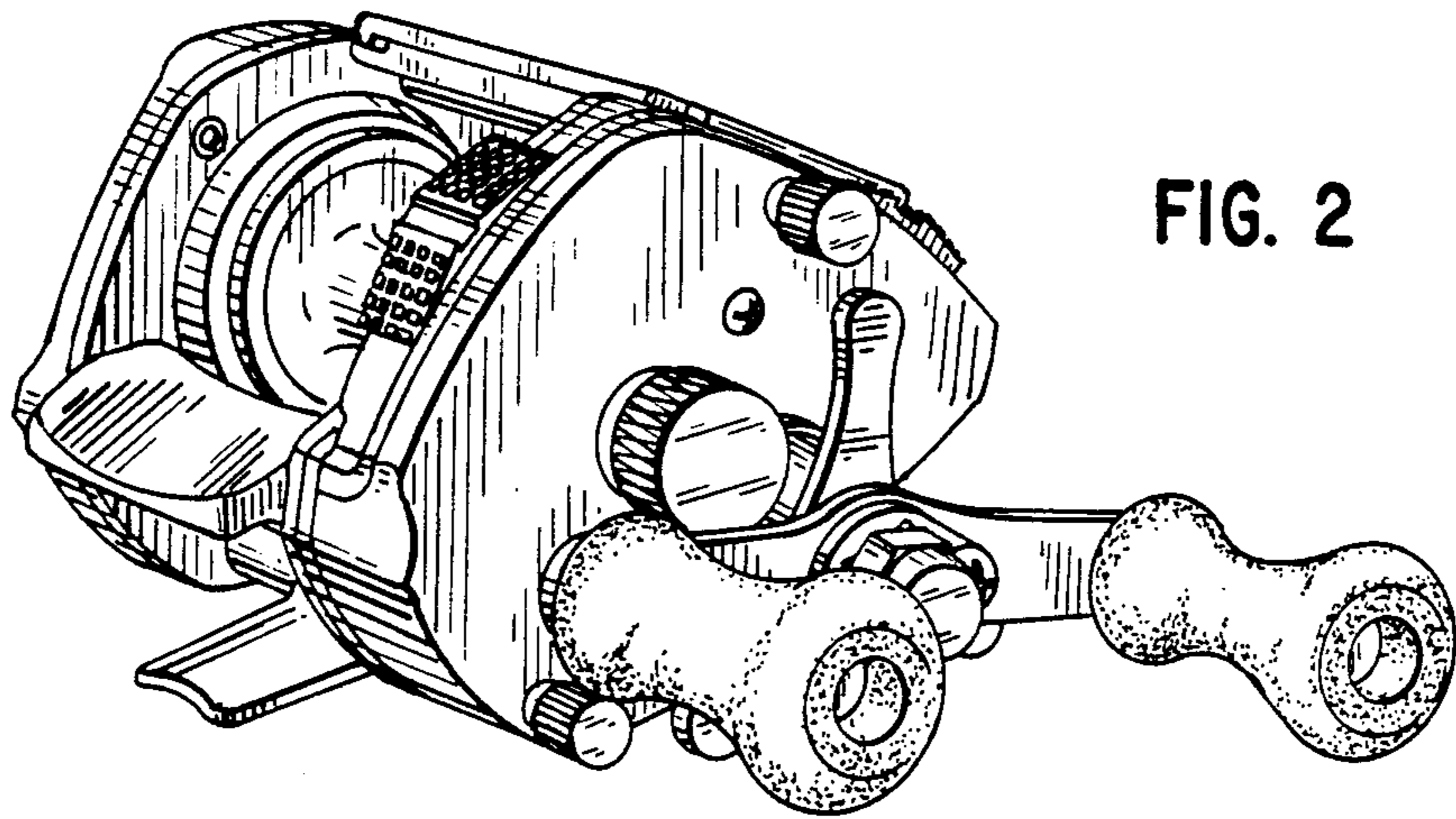


FIG. 2

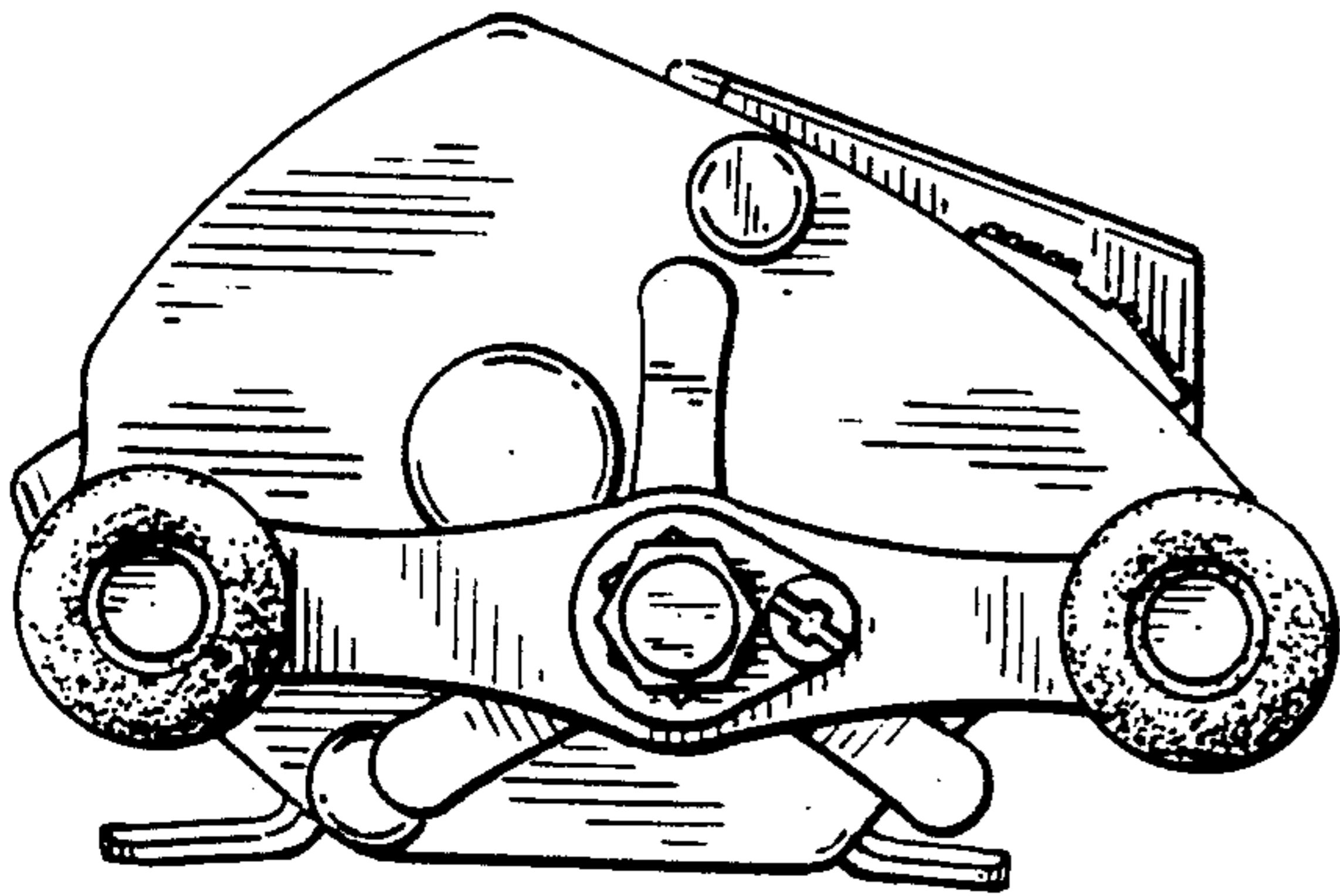


FIG. 3

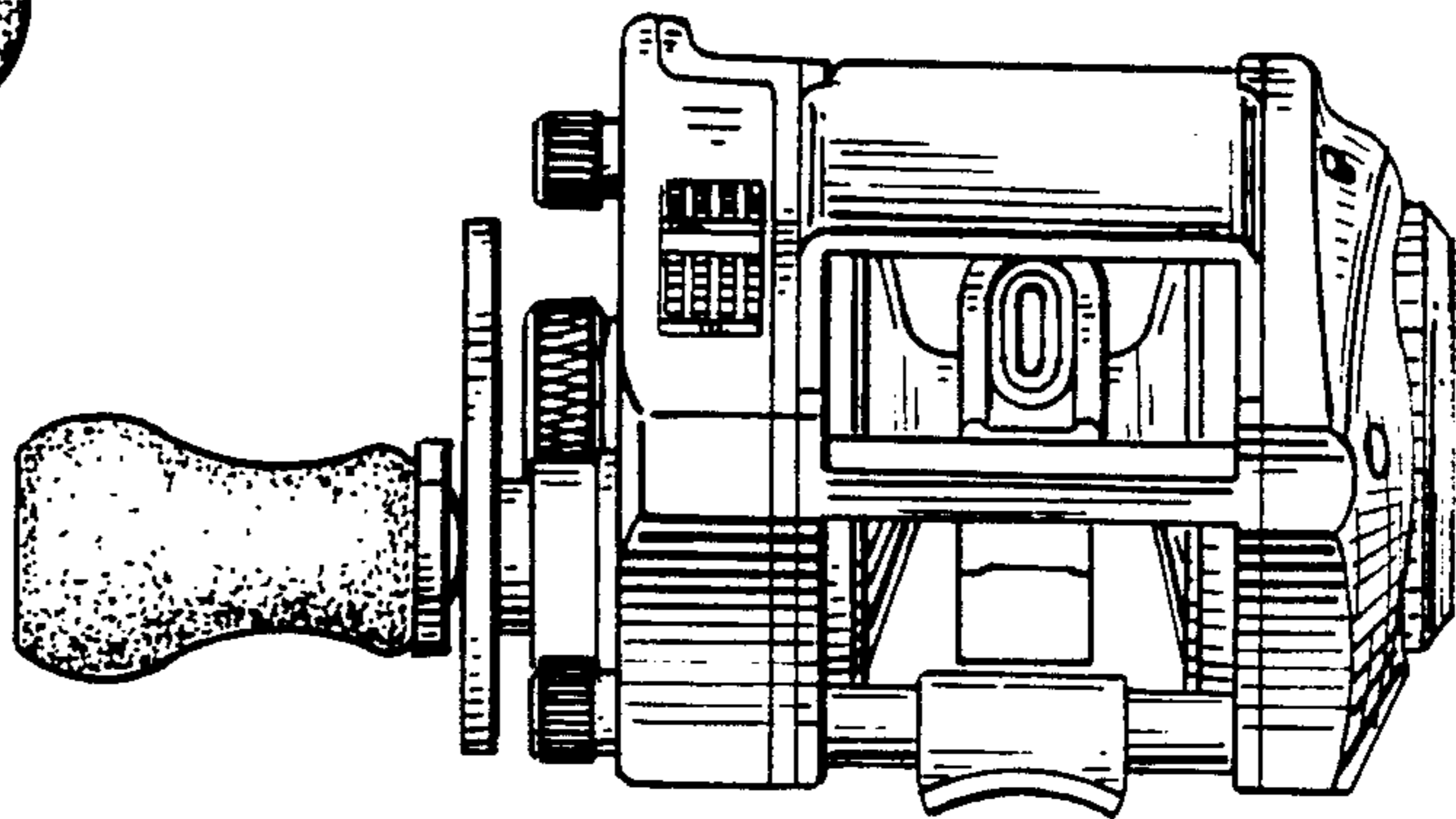


FIG. 4

FIG. 5

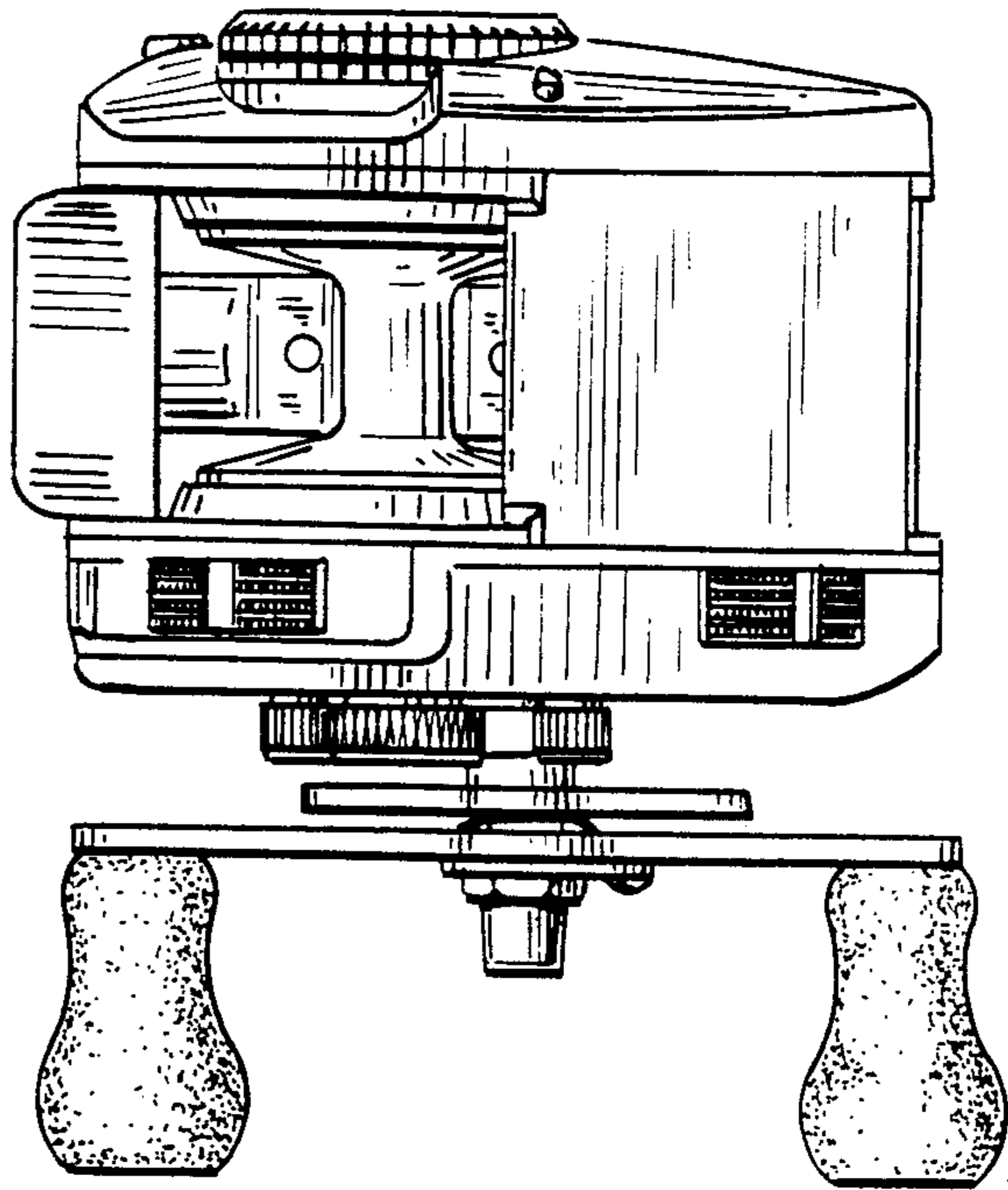


FIG. 6

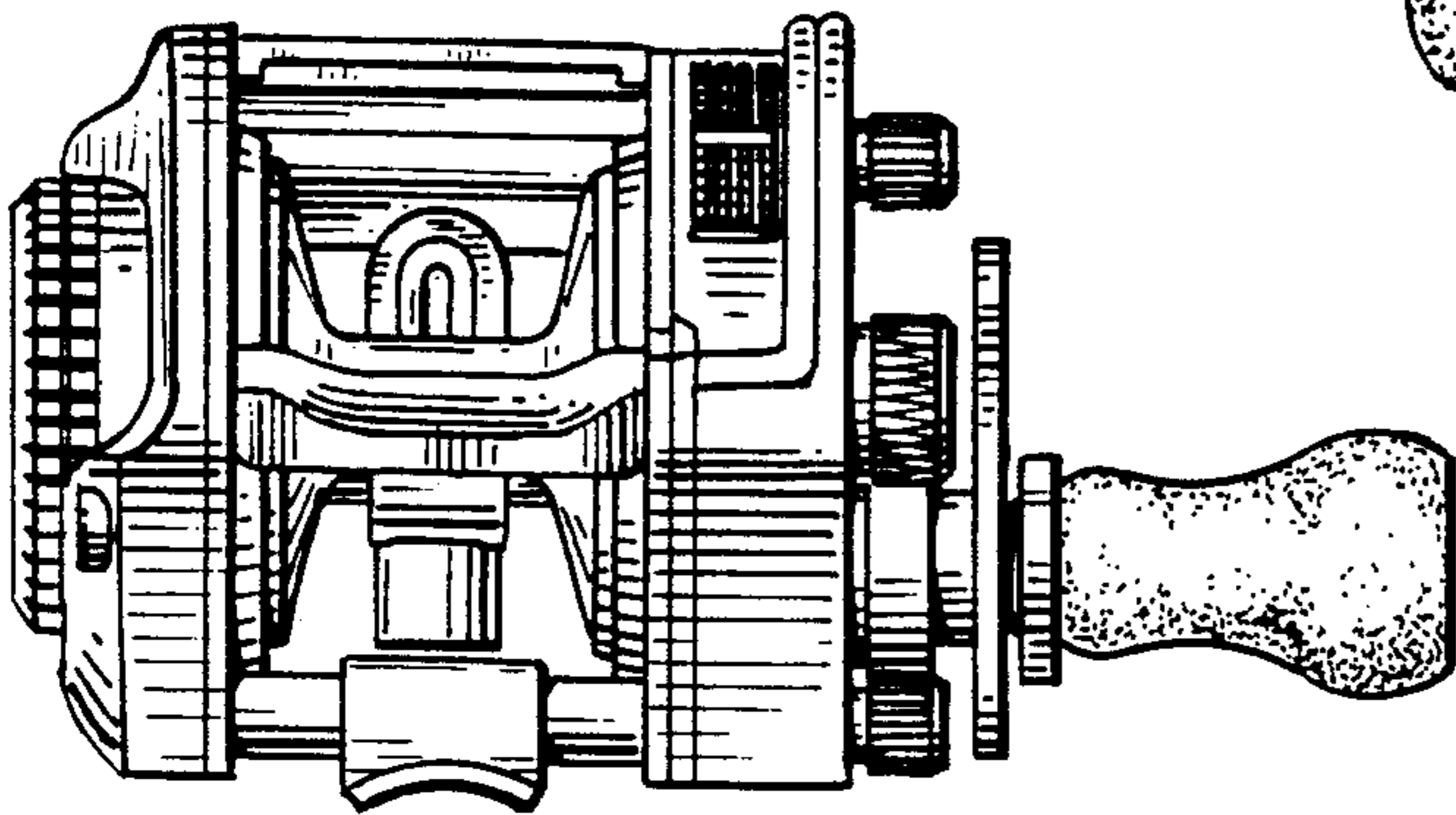


FIG. 7

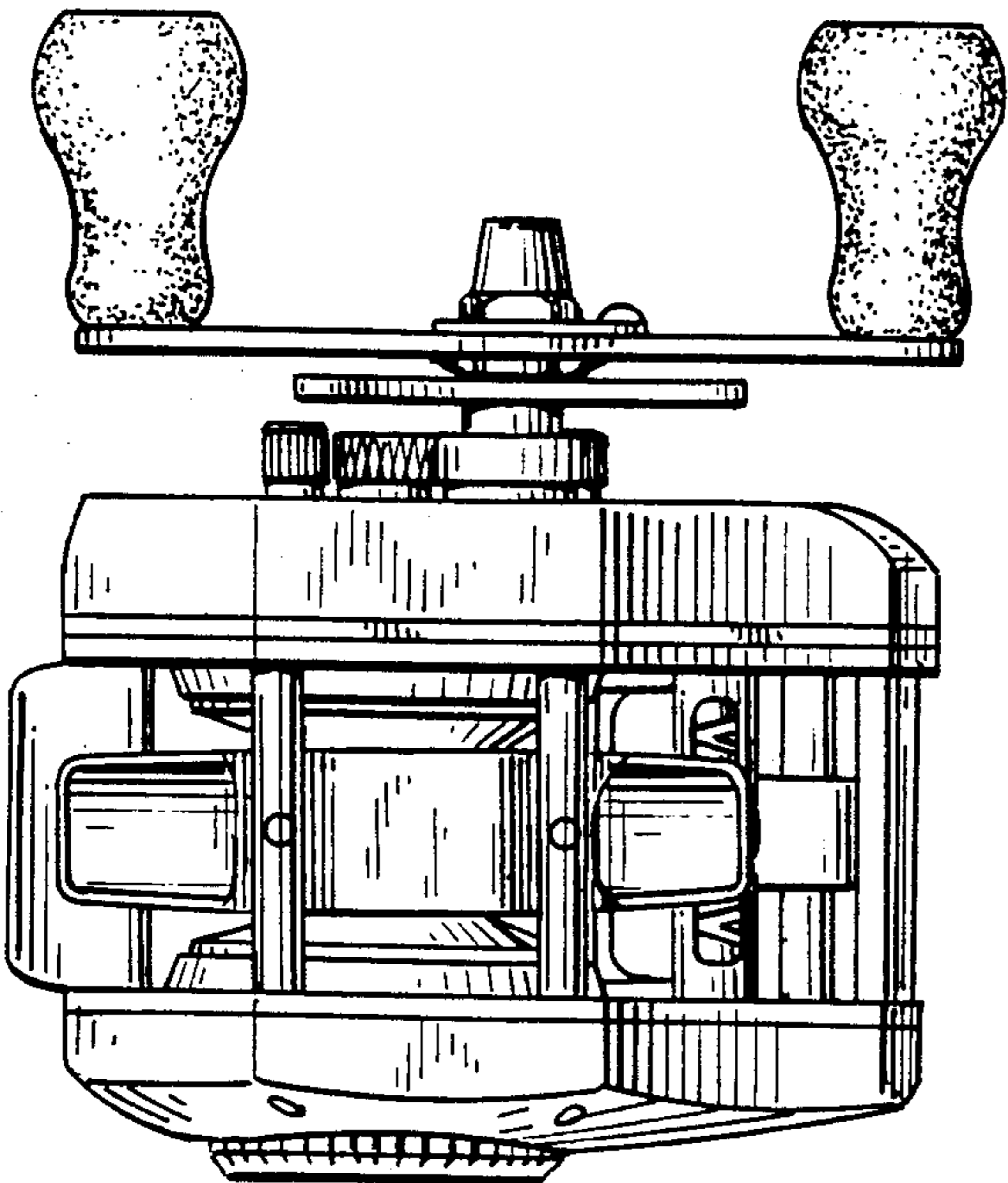
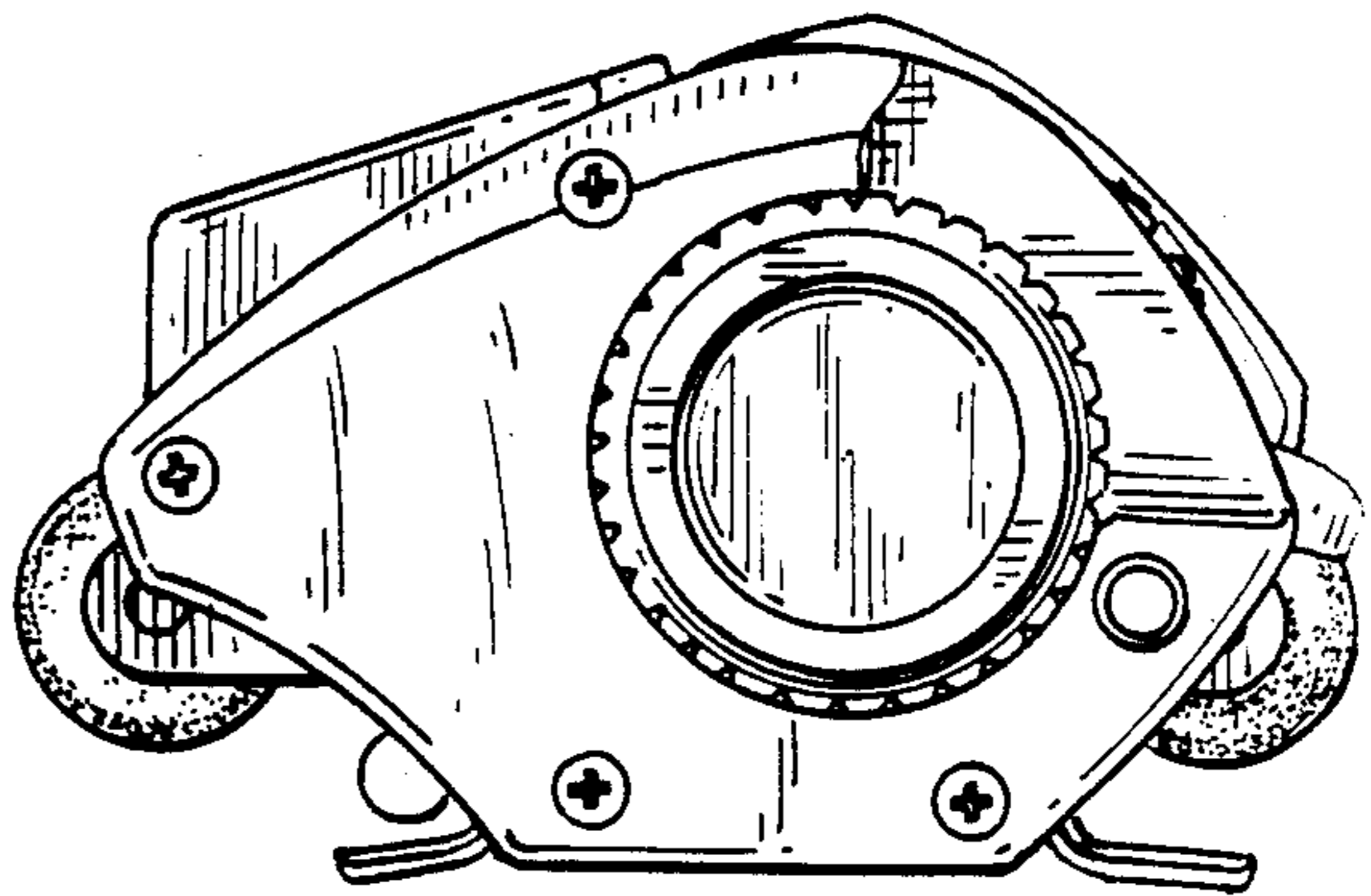


FIG. 8

UNITED STATES PATENT AND TRADEMARK OFFICE
CERTIFICATE OF CORRECTION

PATENT NO. : Des. 294,381
DATED : February 23, 1988
INVENTOR(S) : Richard J. Robbins

It is certified that error appears in the above-identified patent and that said Letters Patent is hereby corrected as shown below:

IN THE DESCRIPTION:

Figure 6 - "side" should be --back--
Figure 7 - "back" should be --side--

**Signed and Sealed this
Second Day of May, 1989**

Attest:

Attesting Officer

DONALD J. QUIGG

Commissioner of Patents and Trademarks