

[54] TOY CHAIR SWING

[76] Inventor: Julian O. Lowry, Rte. 4, Box 155A, Maynardville, Tenn. 37807

[**] Term: 14 Years

[21] Appl. No.: 803,859

[22] Filed: Nov. 4, 1985

[52] U.S. Cl. D21/123; D6/344; D6/347

[58] Field of Search D21/123, 121, 122, 59, D21/109; D6/344, 347; 446/479

[56] References Cited

U.S. PATENT DOCUMENTS

D. 121,461	7/1940	Tabb	D6/347
D. 131,901	4/1942	Phillips	D21/123
D. 132,104	4/1942	Morton	D21/123
D. 247,833	5/1978	Kearns et al.	D6/347

OTHER PUBLICATIONS

Toys to Grow On Catalog, Spring, 1984, p. 13, Item #7106, Porch Swing.

Primary Examiner—Charles A. Rademaker
Attorney, Agent, or Firm—Pitts and Brittan

[57] CLAIM

The ornamental design of a toy chair swing, as shown.

DESCRIPTION

FIG. 1 is a perspective view of a toy chair swing showing my new design;
FIG. 2 is a front elevational view thereof;
FIG. 3 is a rear elevational view thereof;
FIG. 4 is a right side elevational view thereof;
FIG. 5 is a left side elevational view thereof;
FIG. 6 is a top plan view thereof; and
FIG. 7 is a bottom plan view thereof.

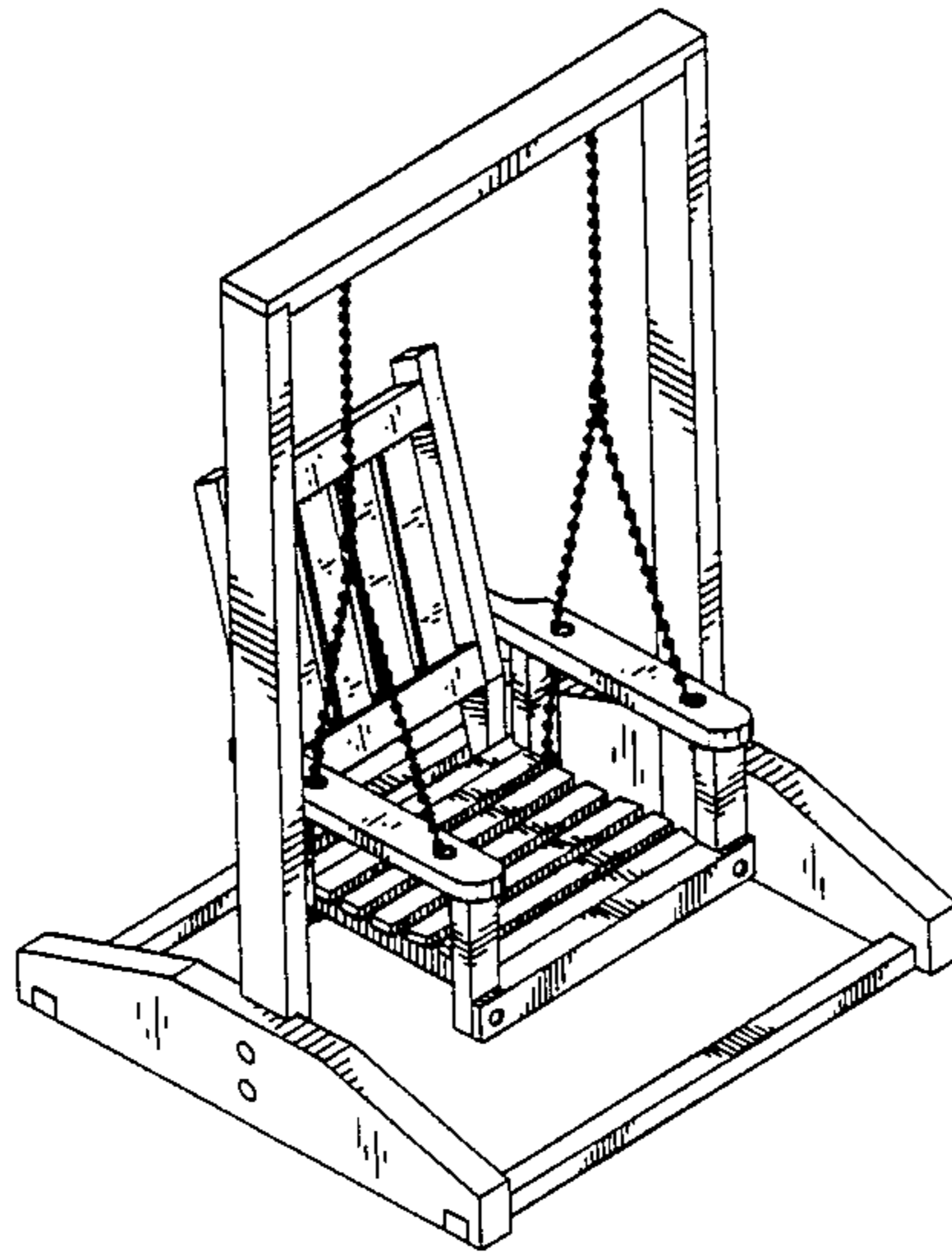
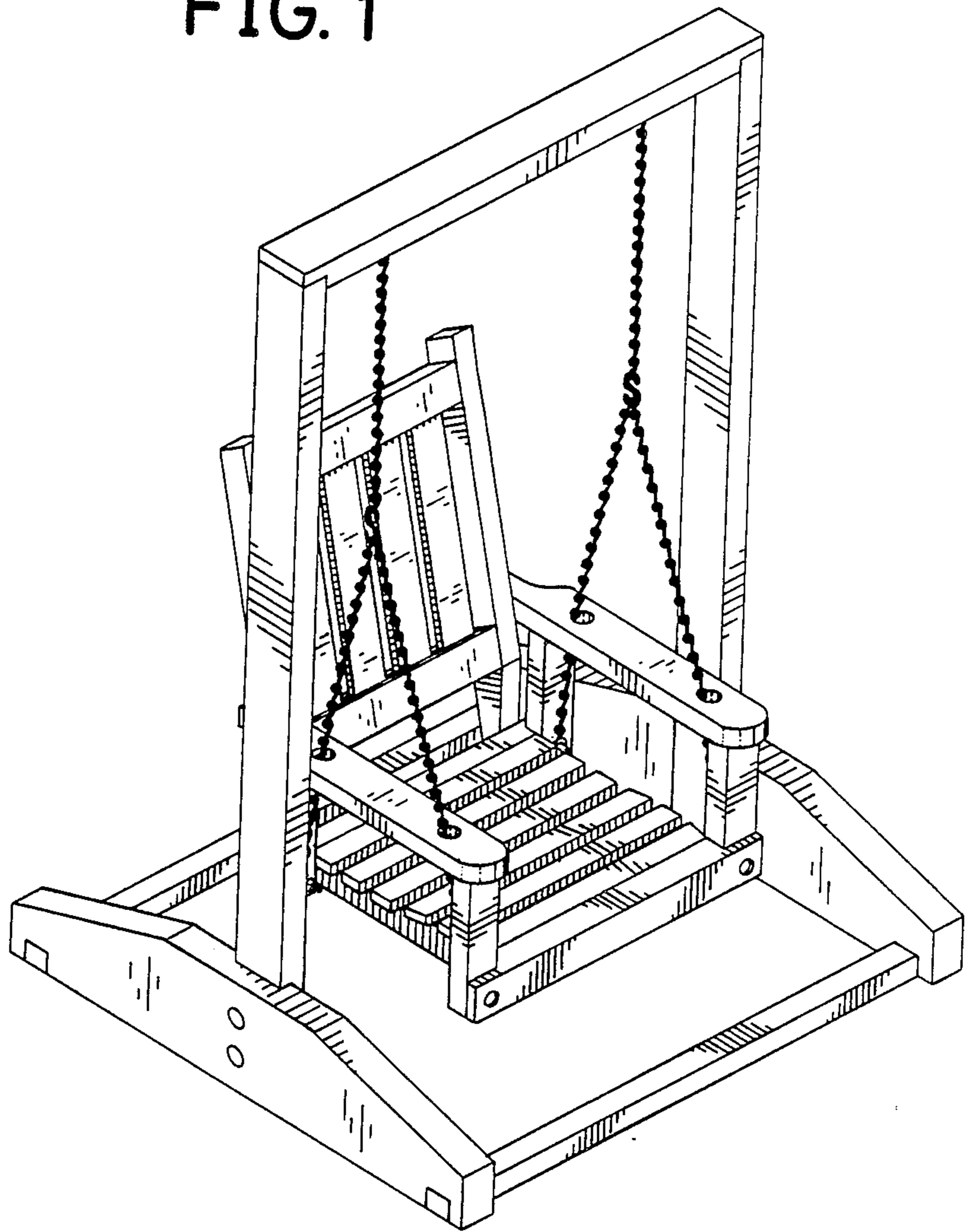


FIG. 1



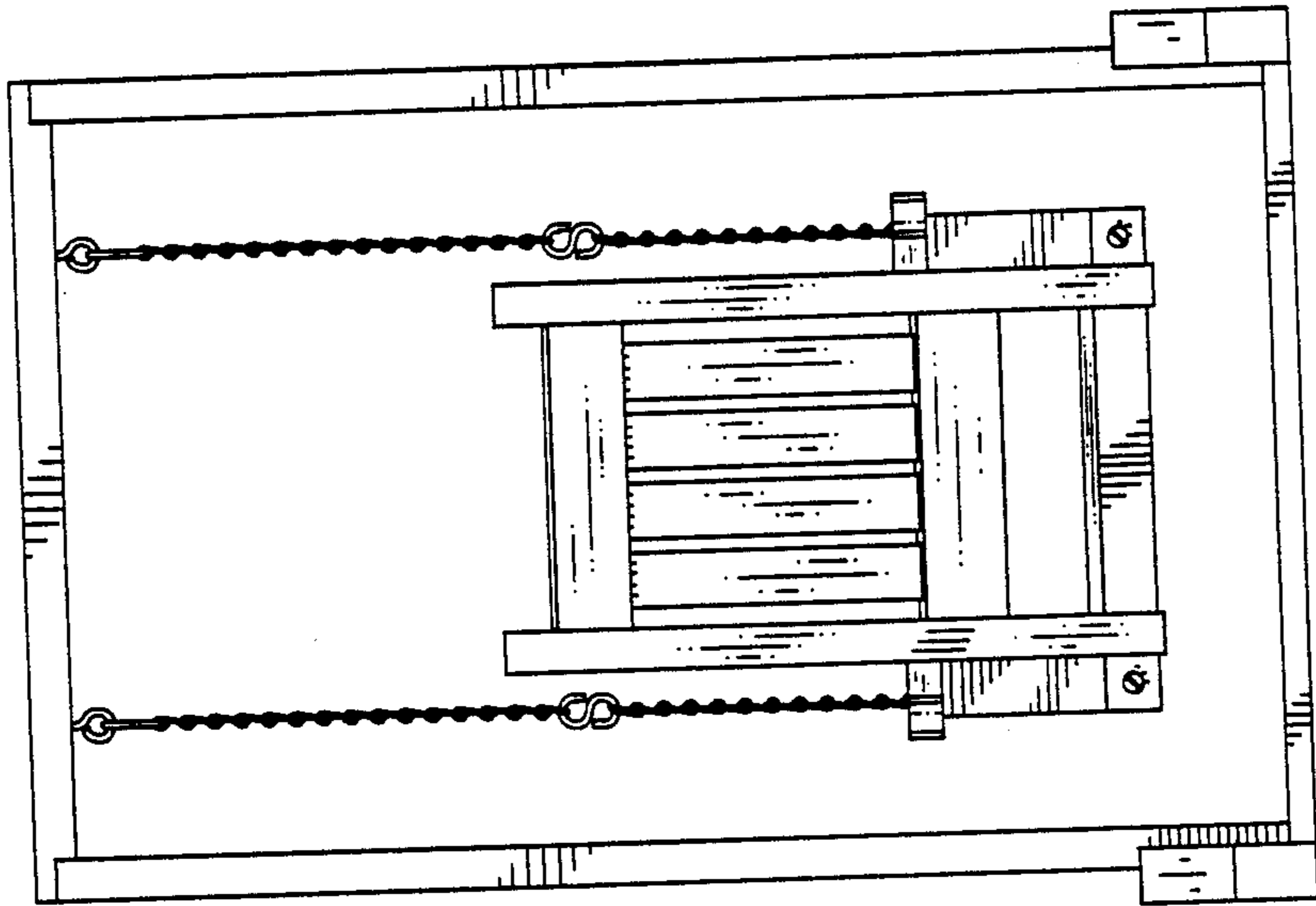


FIG. 3

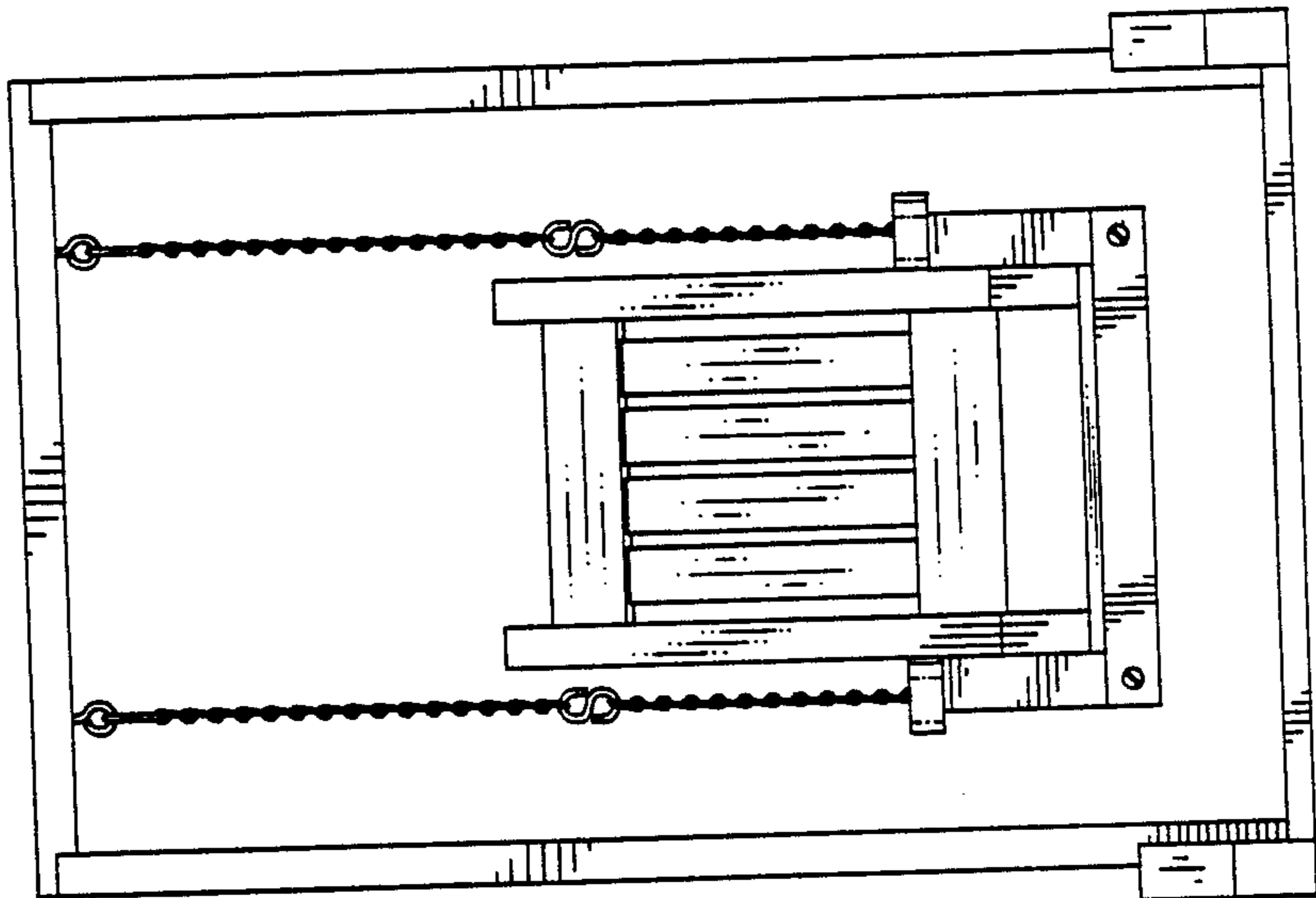


FIG. 2

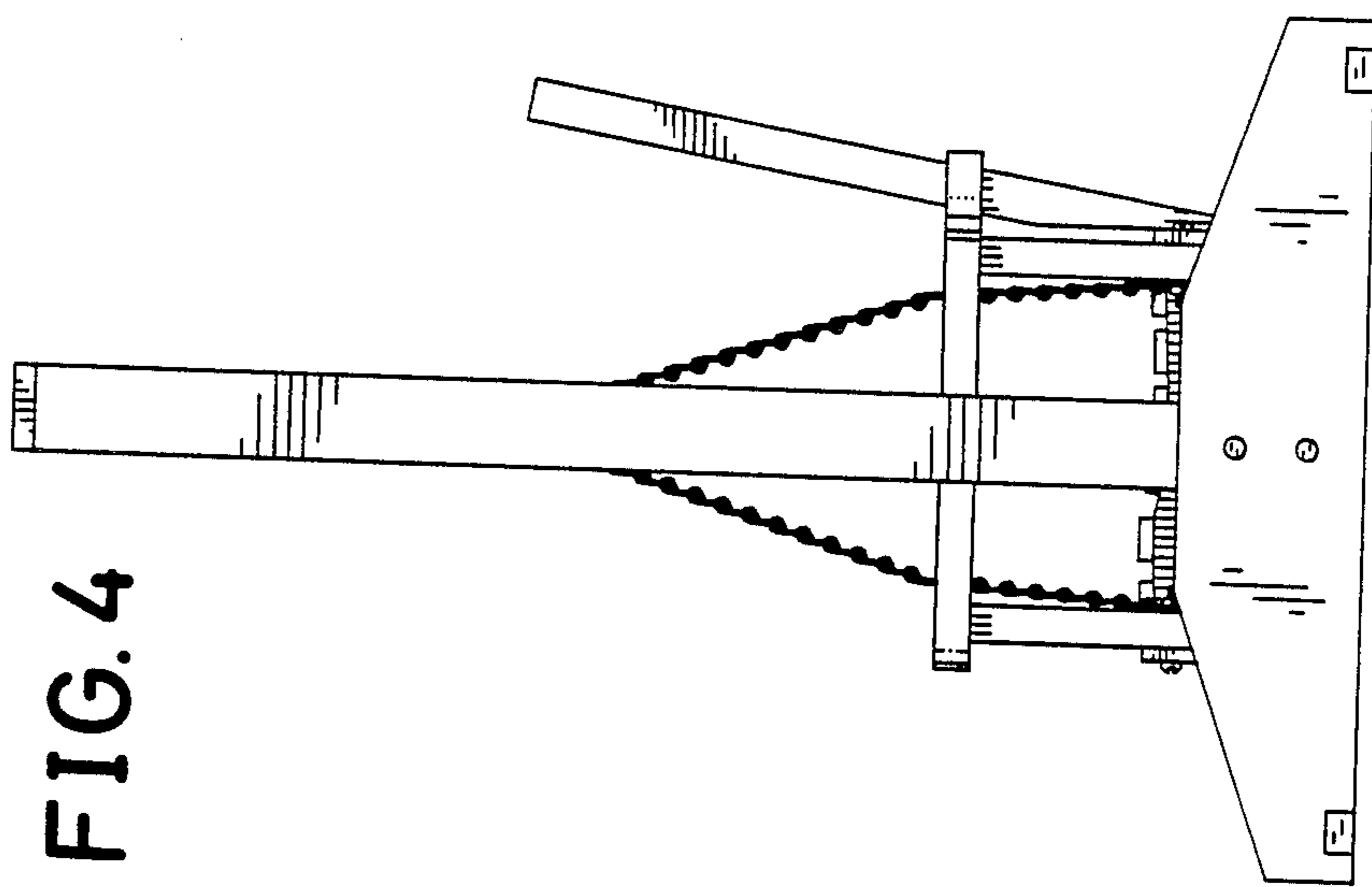
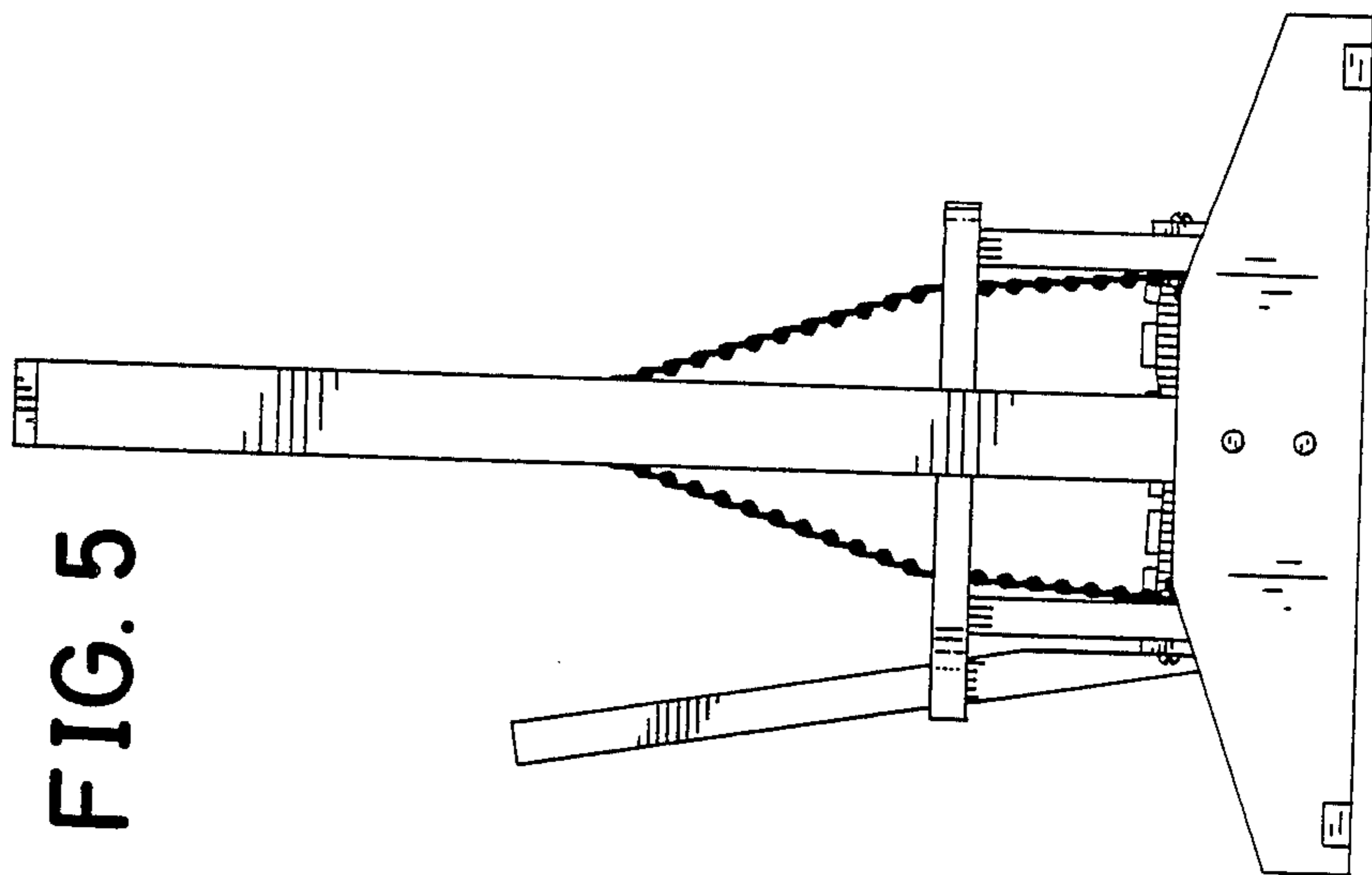


FIG. 7

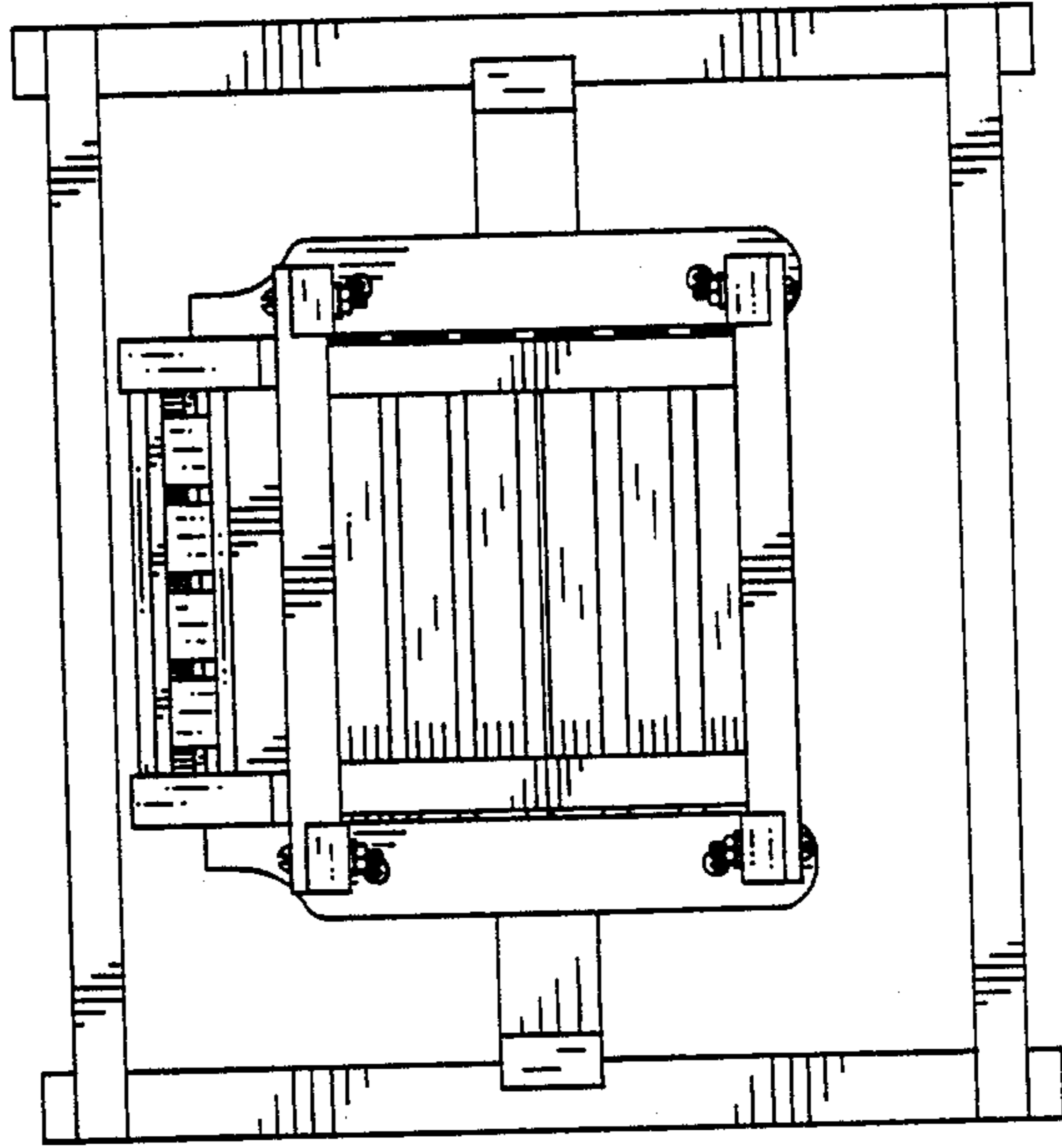


FIG. 6

