

[54] **PRINTER FOR CASH REGISTER**

[75] Inventors: Hiroshi Nishibori; Akira Tsukada,
both of Osaka, Japan

[73] Assignee: Sharp Corporation, Osaka, Japan

[**] Term: 14 Years

[21] Appl. No.: 773,452

[22] Filed: Sep. 6, 1985

[30] **Foreign Application Priority Data**

Mar. 7, 1985 [JP] Japan 60-9416

[52] U.S. Cl. D18/4; D18/13

[58] Field of Search D18/3, 4, 11, 12, 13,
D18/14, 99; D14/100, 109; 364/405, 406, 407

[56] **References Cited**

U.S. PATENT DOCUMENTS

D. 253,539 11/1979 Coppola et al. D18/13
D. 277,107 1/1985 Sakamoto D18/4
D. 278,542 4/1985 Kakiuchi et al. D18/4

D. 284,006 5/1986 Freijd D18/13 X

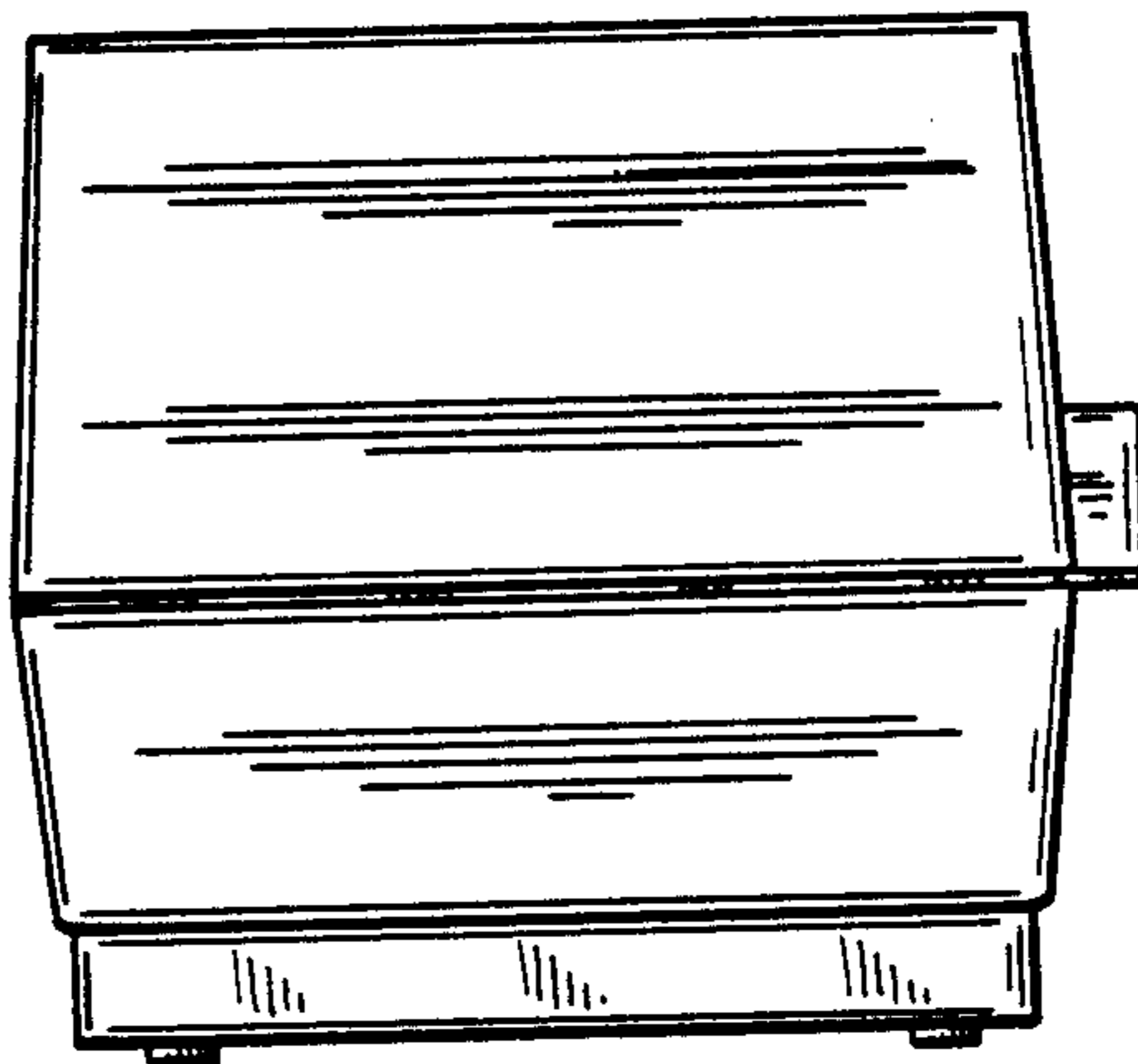
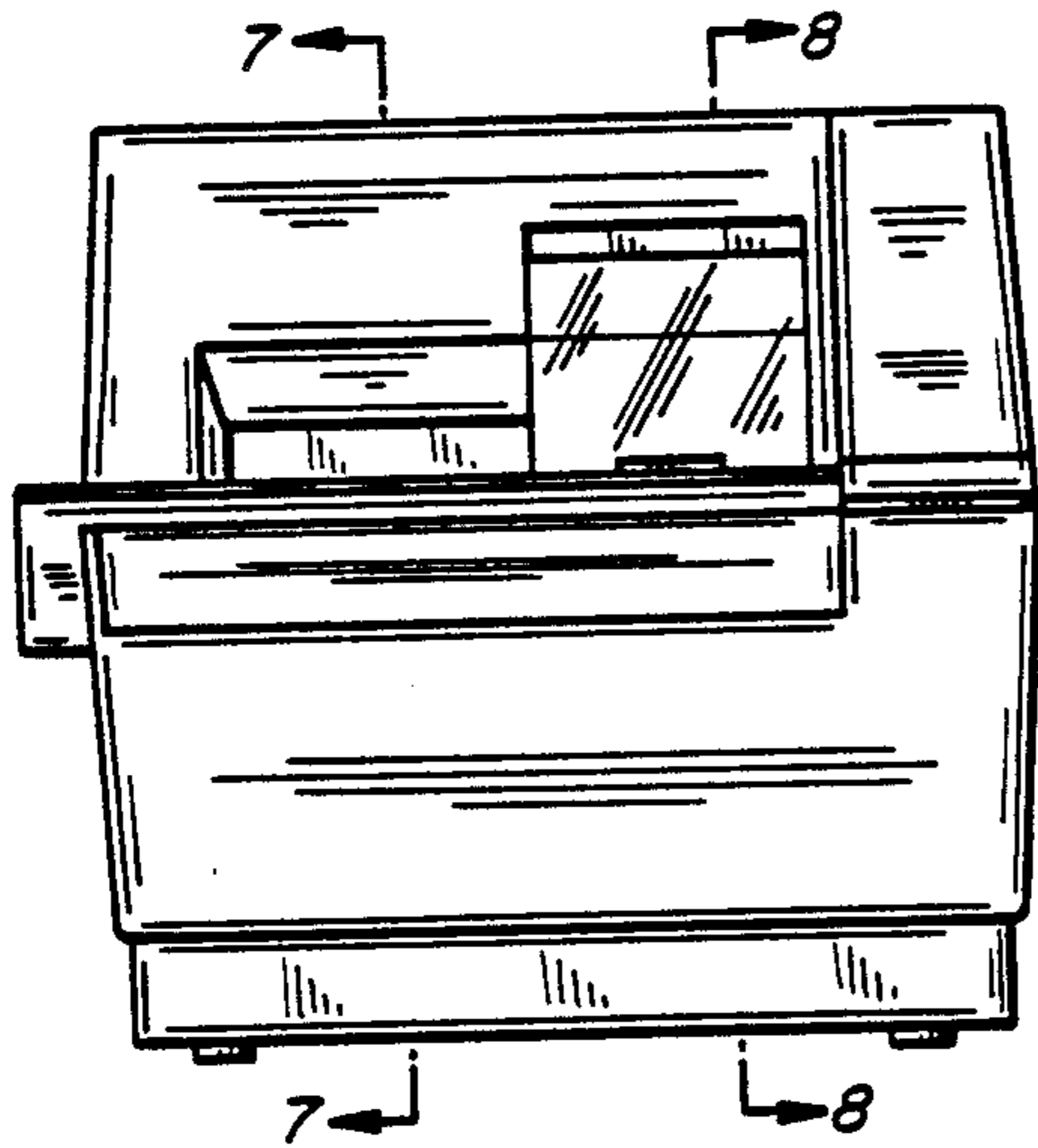
Primary Examiner—Bernard Ansher
Assistant Examiner—Theodore M. Shooman
Attorney, Agent, or Firm—Flehr, Hohbach, Test,
Albritton & Herbert

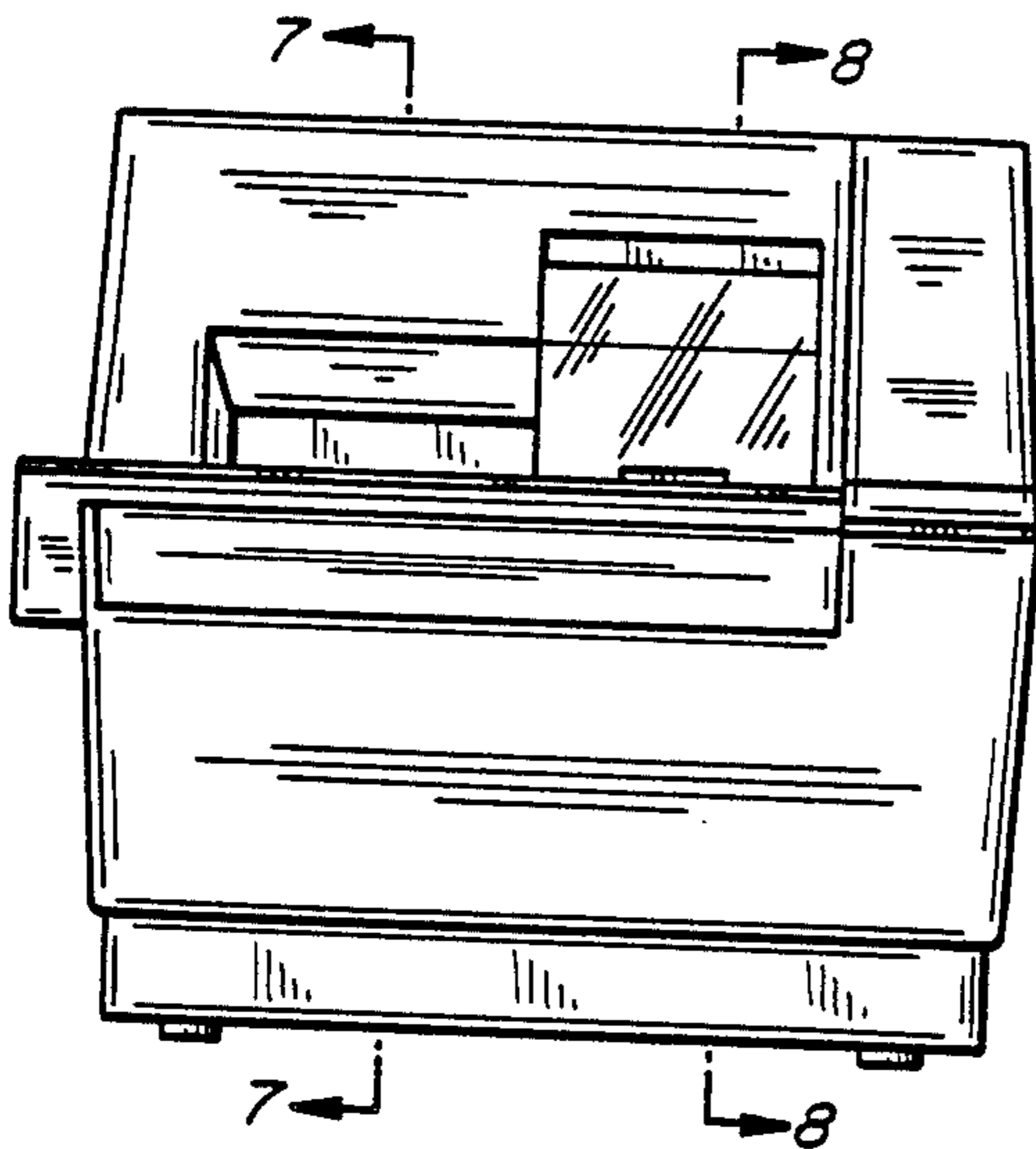
[57] **CLAIM**

The ornamental design for a printer for cash register, as shown and described.

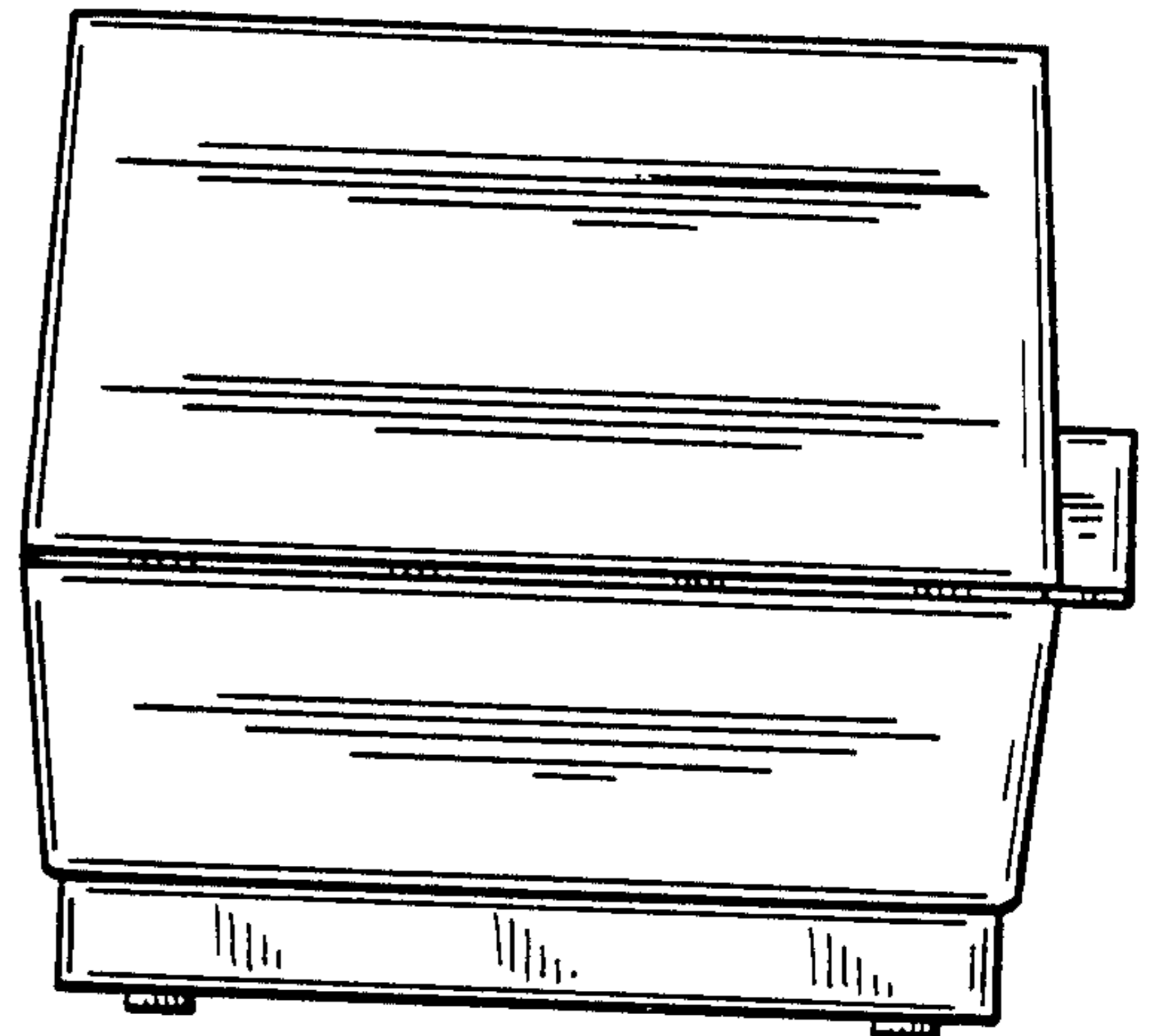
DESCRIPTION

FIG. 1 is a front elevational view of a printer for cash register showing our new design;
FIG. 2 is a rear elevational view thereof;
FIG. 3 is a top plan view thereof;
FIG. 4 is a bottom plan view thereof;
FIG. 5 is a right side elevational view thereof;
FIG. 6 is a left side elevational view thereof;
FIG. 7 is a sectional view thereof taken along the line 7—7 of FIG. 1; and
FIG. 8 is a sectional view thereof taken along the line 8—8 of FIG. 1.

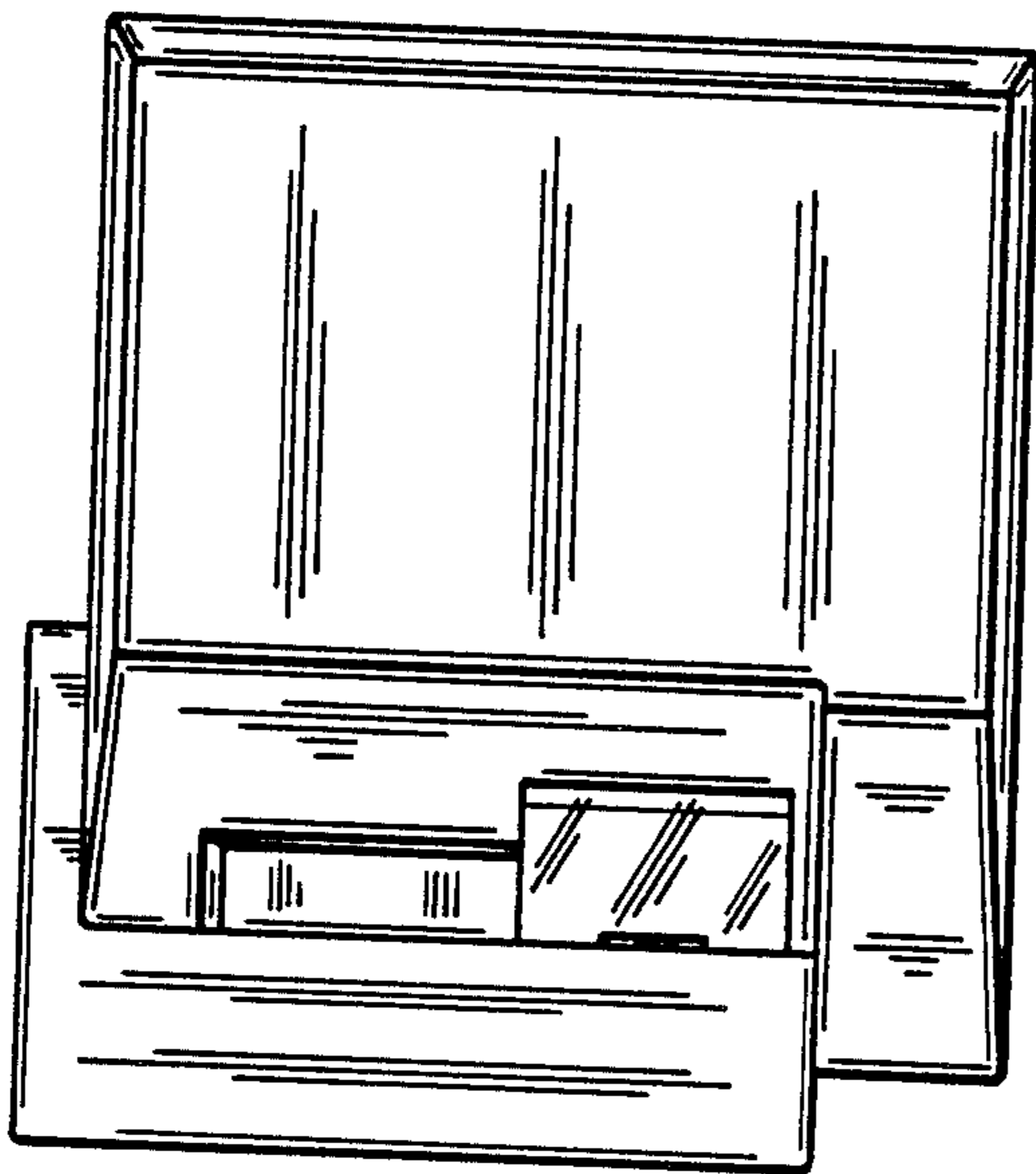




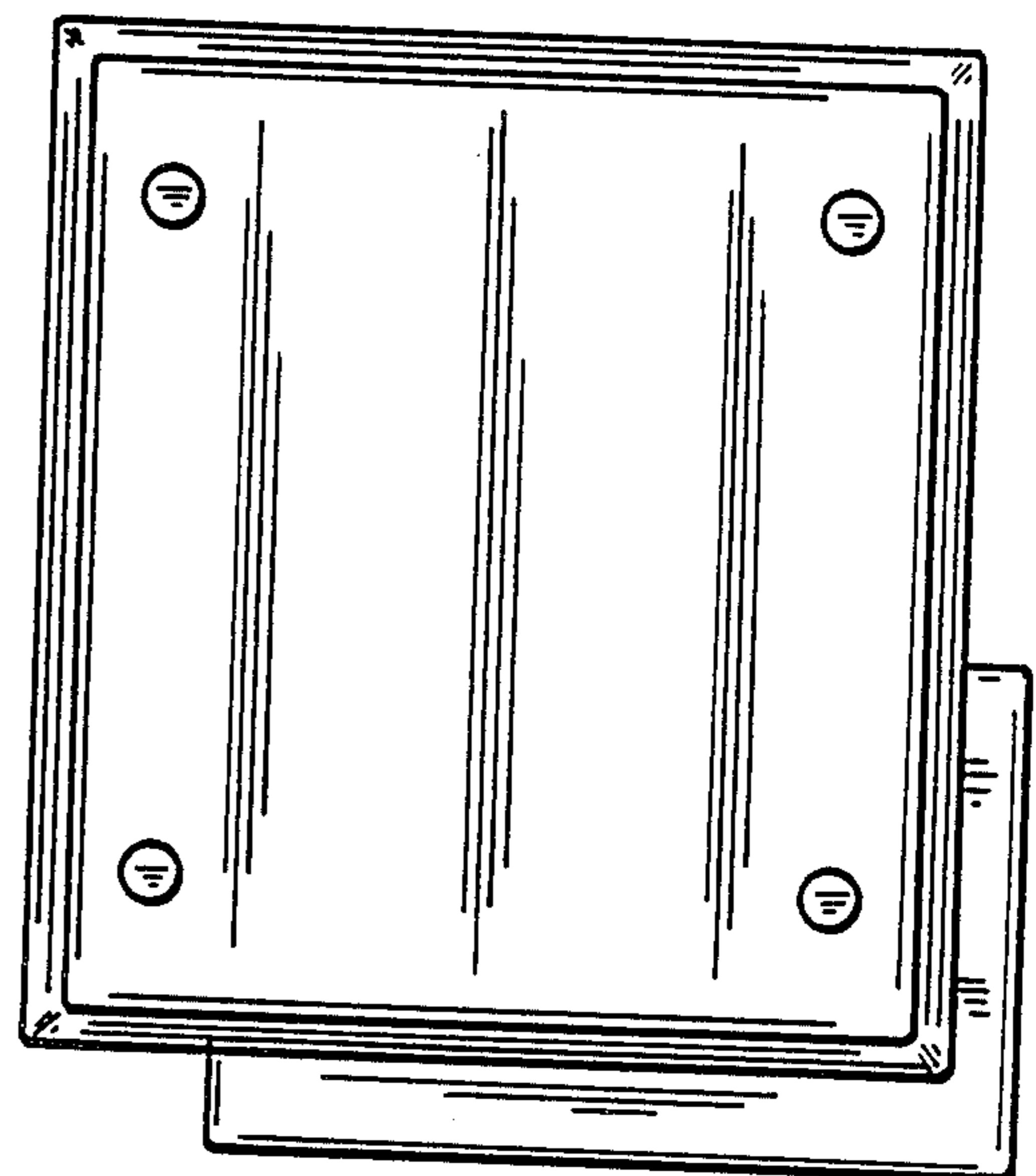
FIG_1



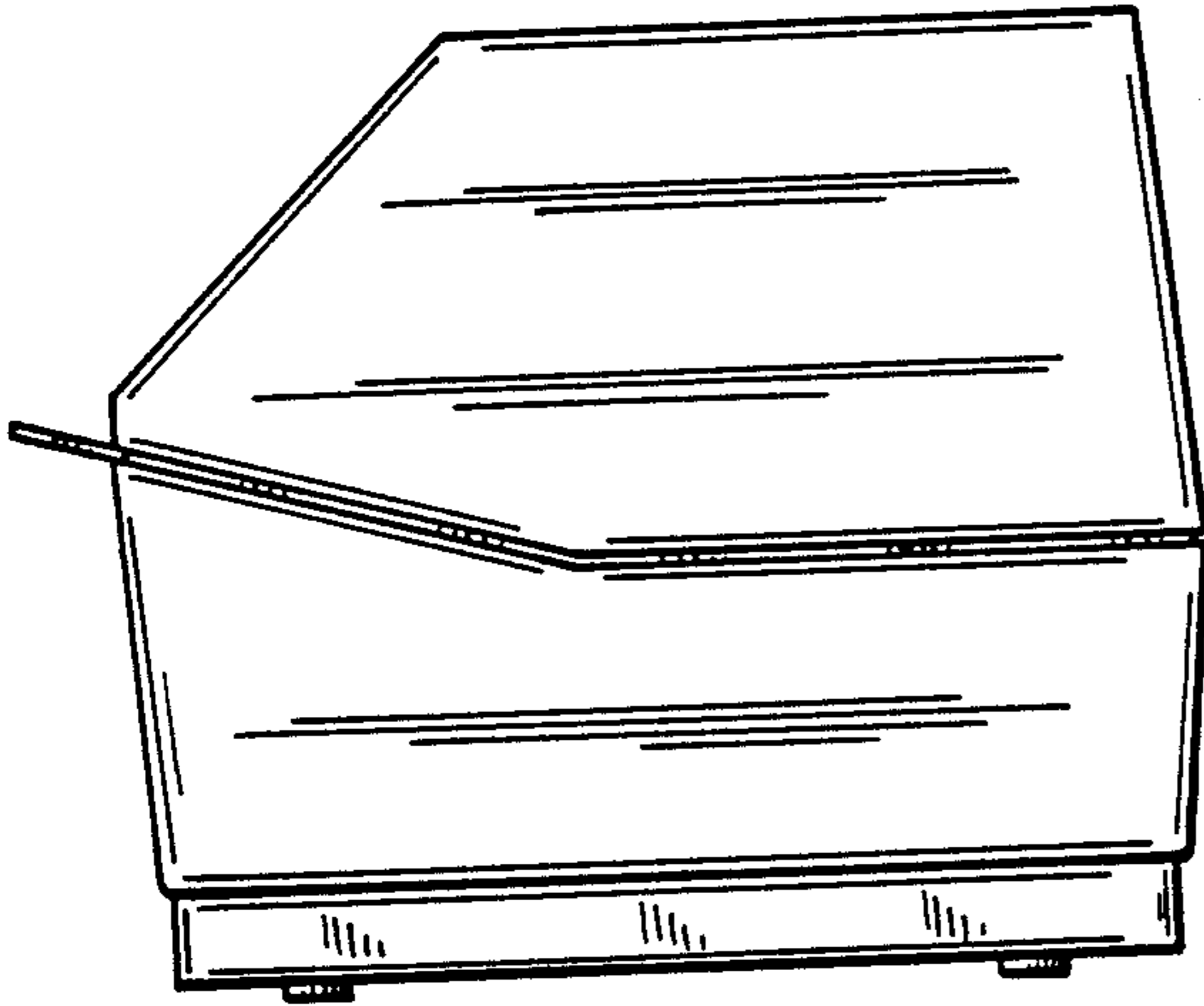
FIG_2



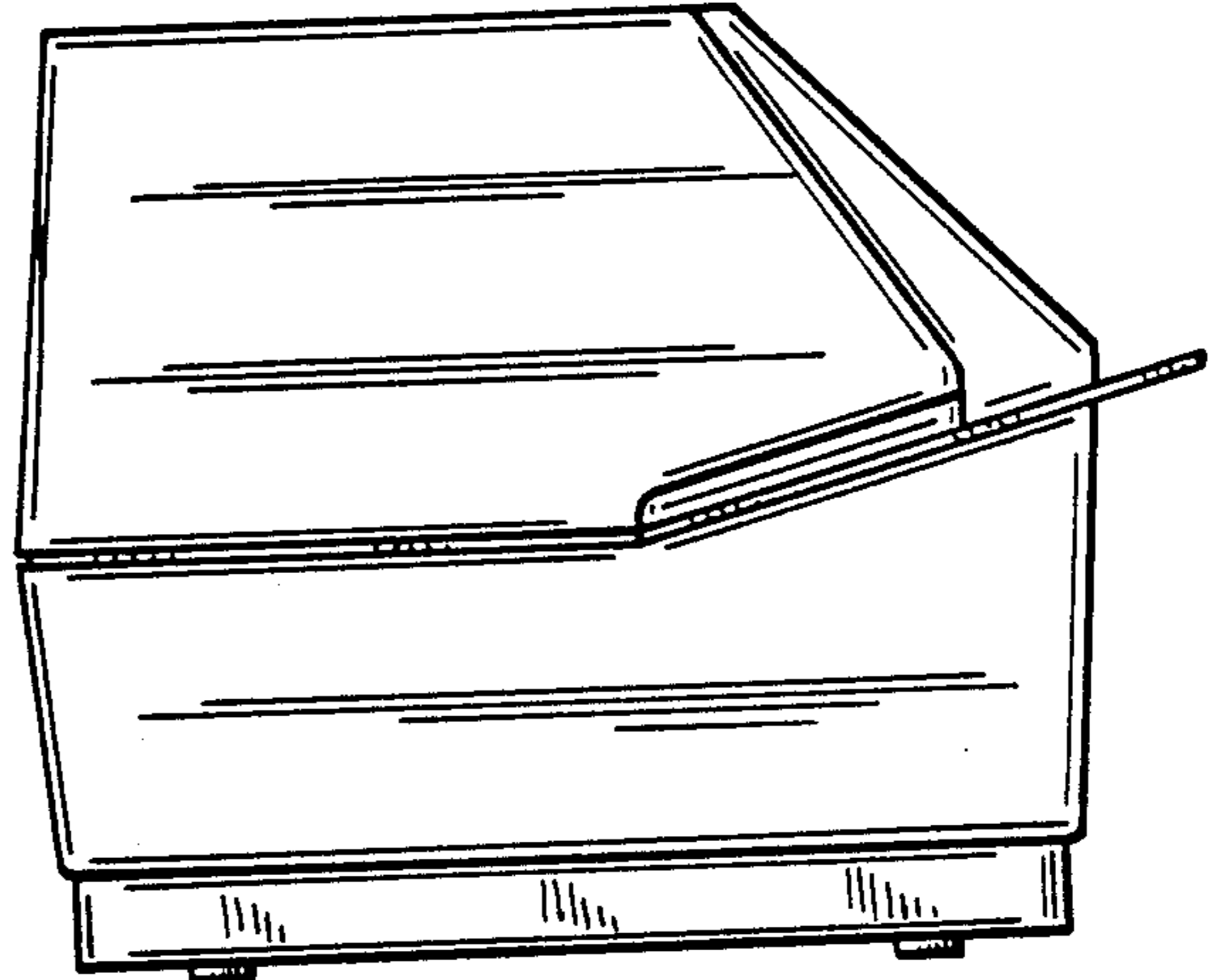
FIG_3



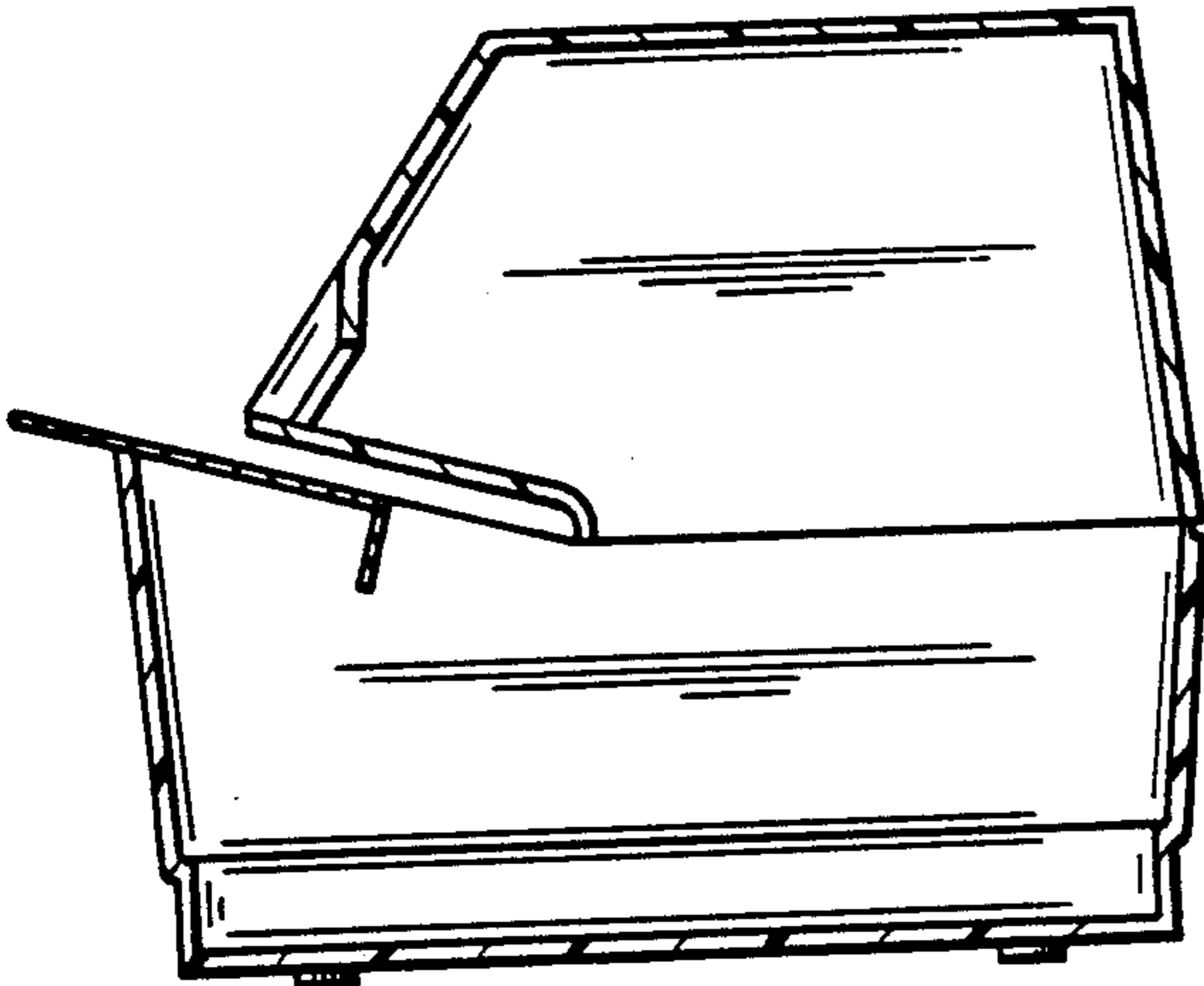
FIG_4



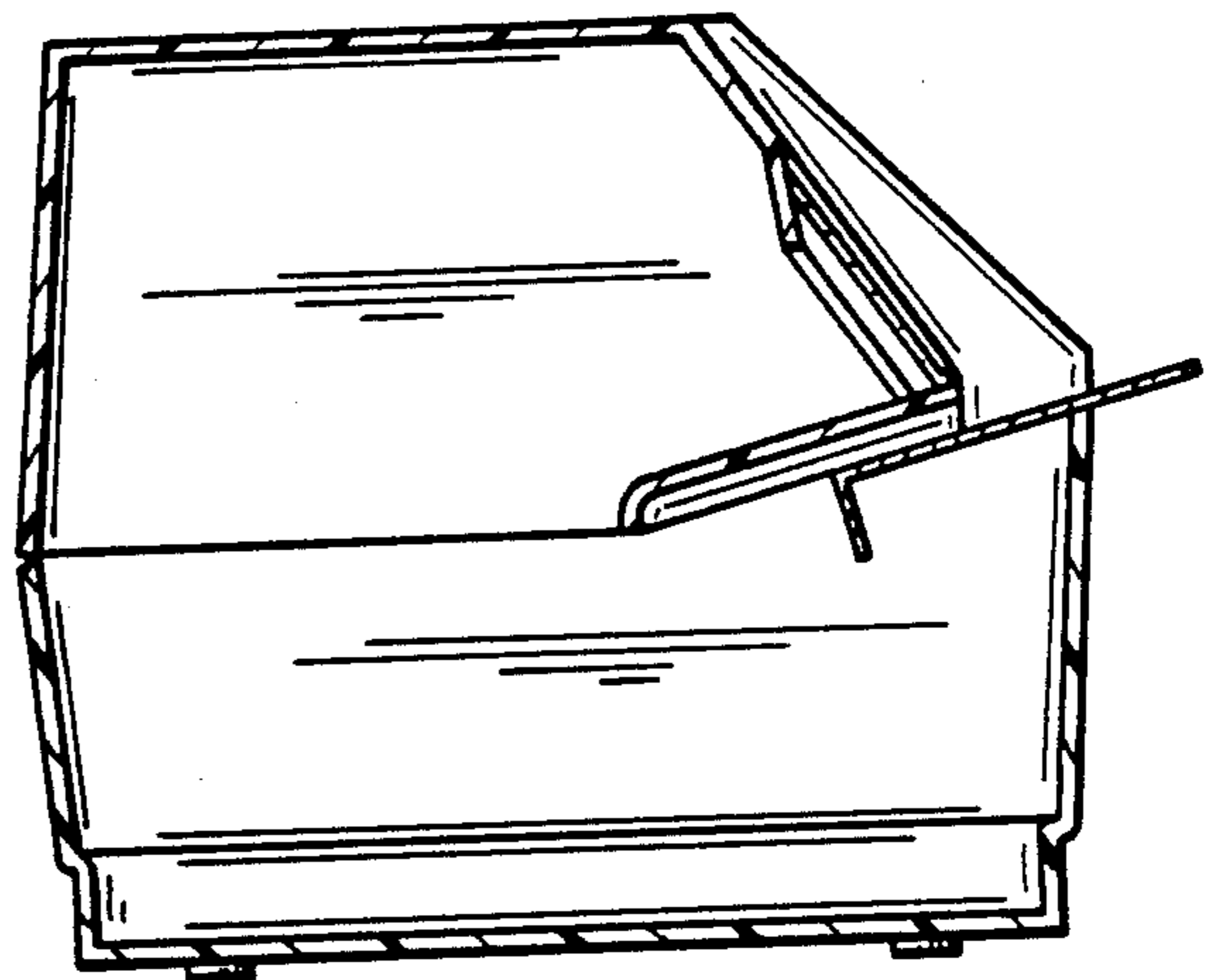
FIG_5



FIG_6



FIG_7



FIG_8