

[54] CASH REGISTER

[75] Inventors: Hiroshi Nishibori; Akira Tsukada, both of Osaka, Japan

[73] Assignee: Sharp Corporation, Osaka, Japan

[**] Term: 14 Years

[21] Appl. No.: 773,423

[22] Filed: Sep. 6, 1985

[30] Foreign Application Priority Data

Mar. 7, 1985 [JP] Japan 60-9411

[52] U.S. Cl. D18/4

[58] Field of Search D18/3, 4, 11, 12, 13, D18/14, 99; D14/100, 109; 364/405, 406, 407

[56] References Cited

U.S. PATENT DOCUMENTS

- D. 269,441 6/1983 Matsuda et al. D18/4
- D. 277,107 1/1985 Sakamoto D18/4
- D. 278,542 4/1985 Kakiuchi et al. D18/4

D. 285,573 9/1986 Lefevre D18/4

OTHER PUBLICATIONS

Office Products Dealer, Feb. 1982, p. 5, top right.

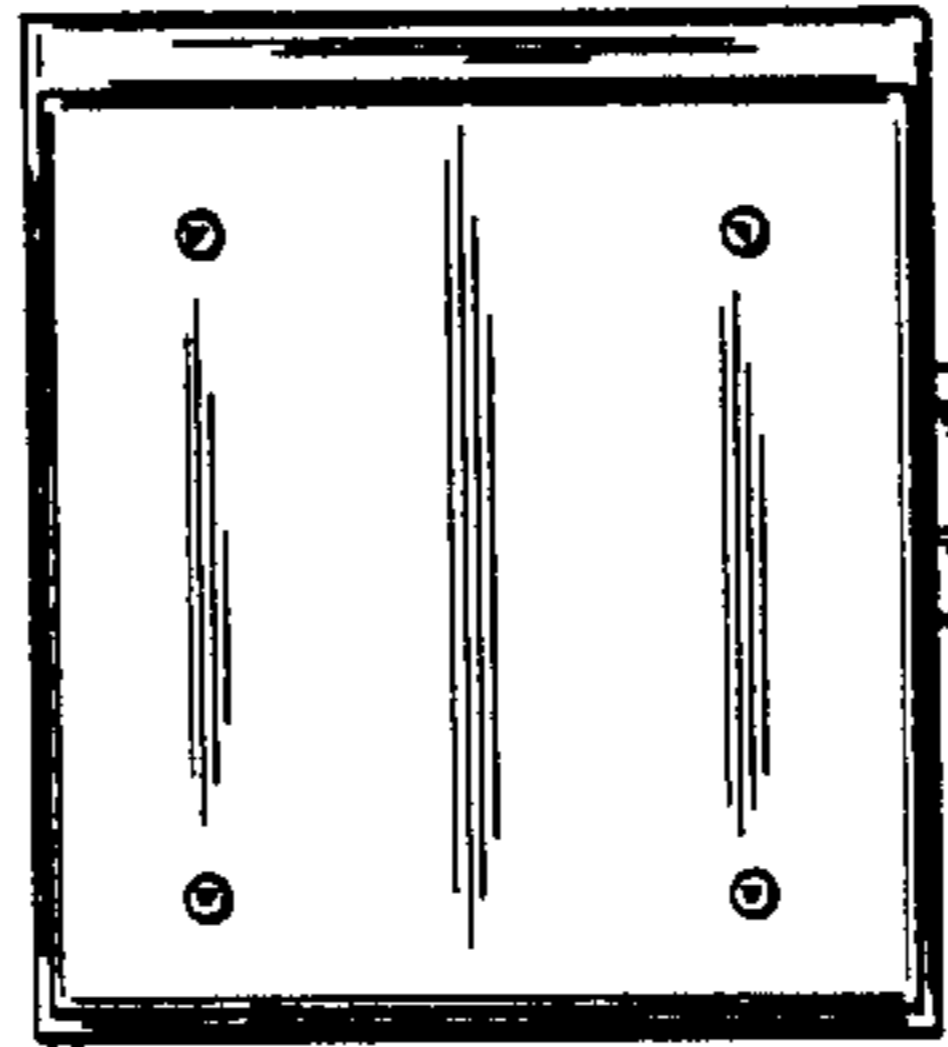
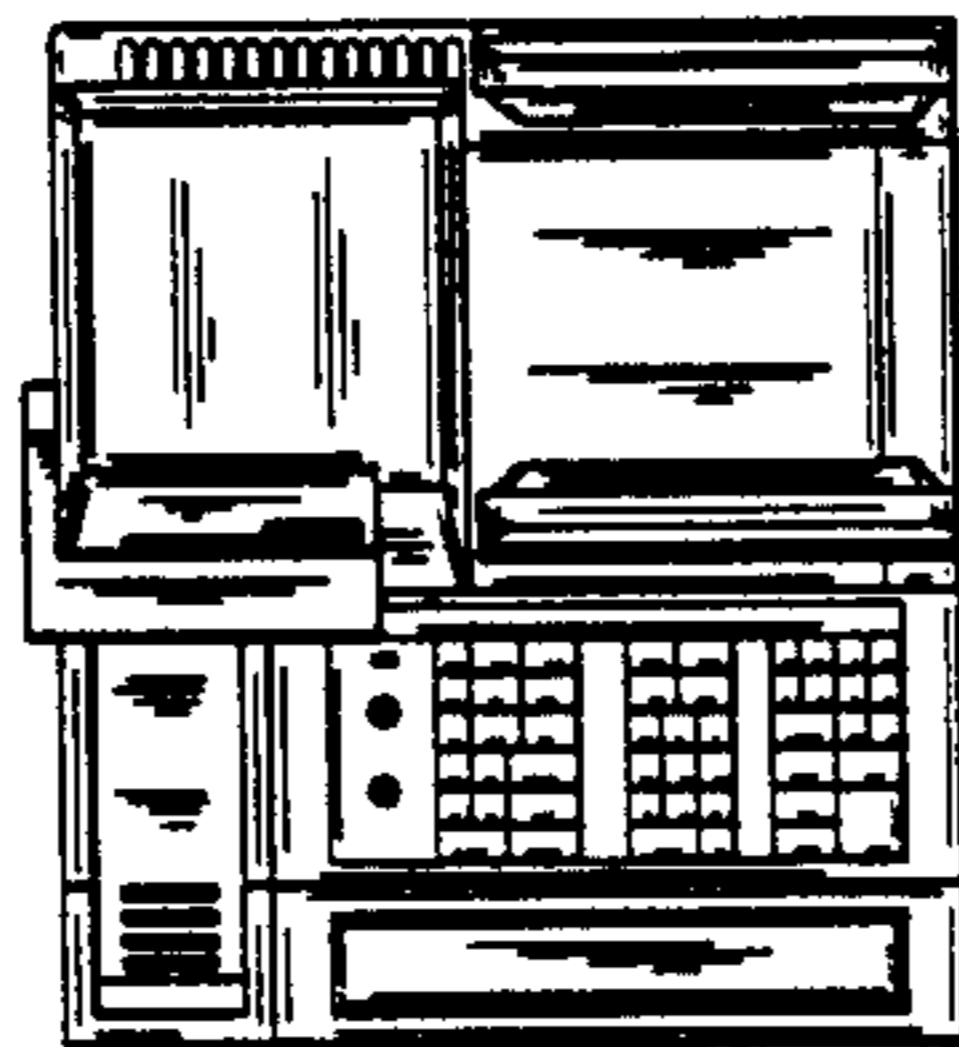
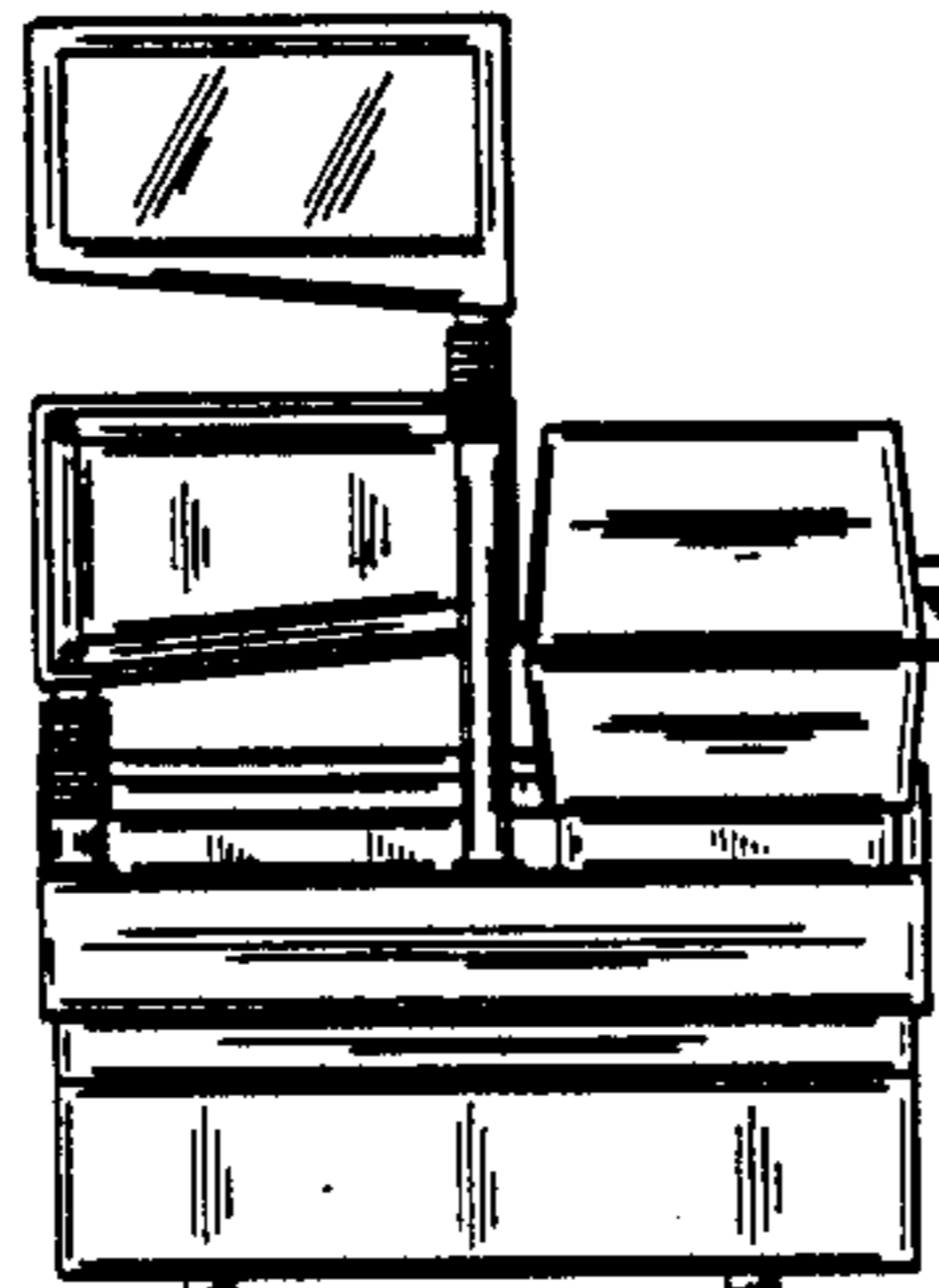
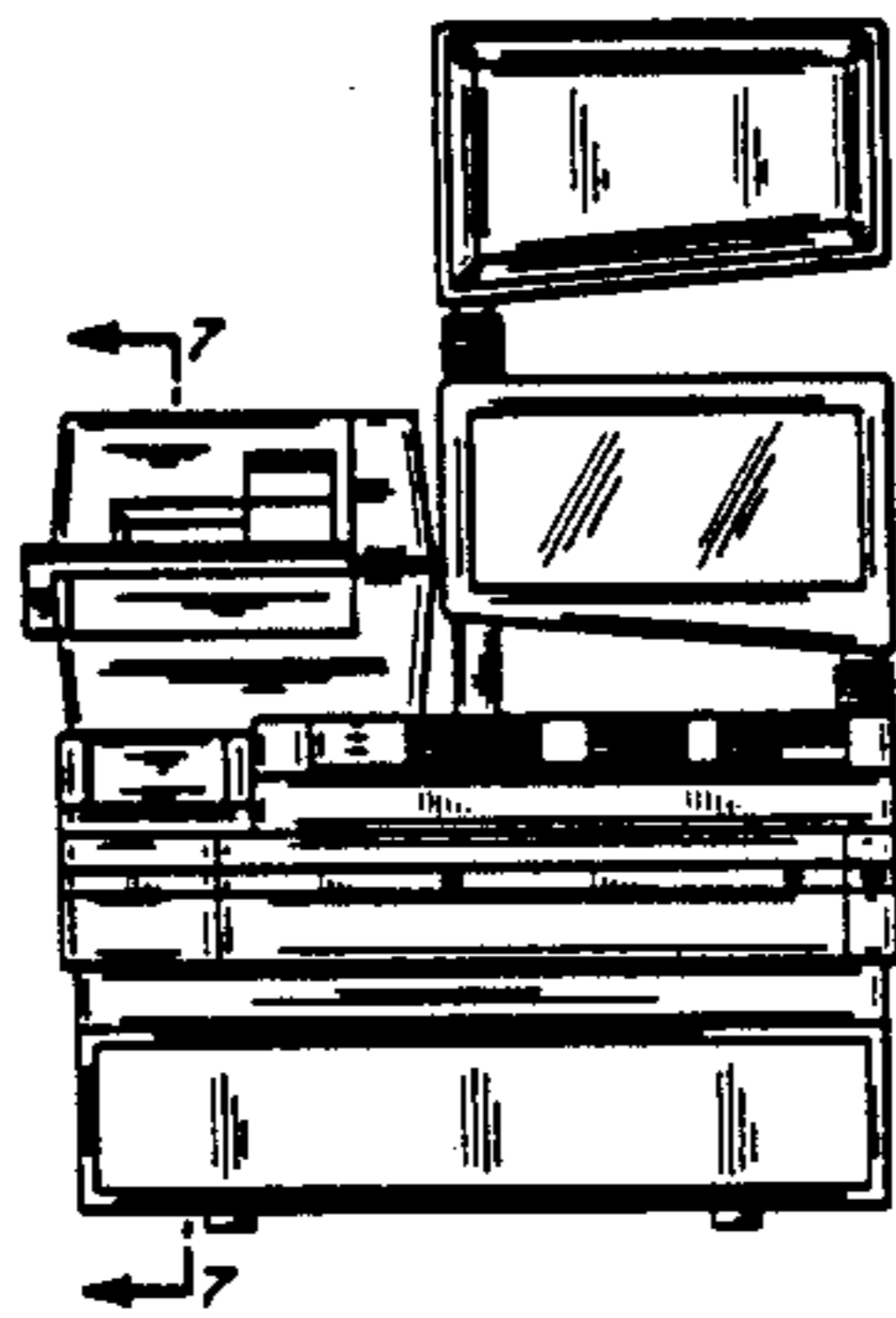
Primary Examiner—Bernard Ansher
Assistant Examiner—Theodore M. Shooman
Attorney, Agent, or Firm—Flehr, Hohbach, Test, Albritton & Herbert

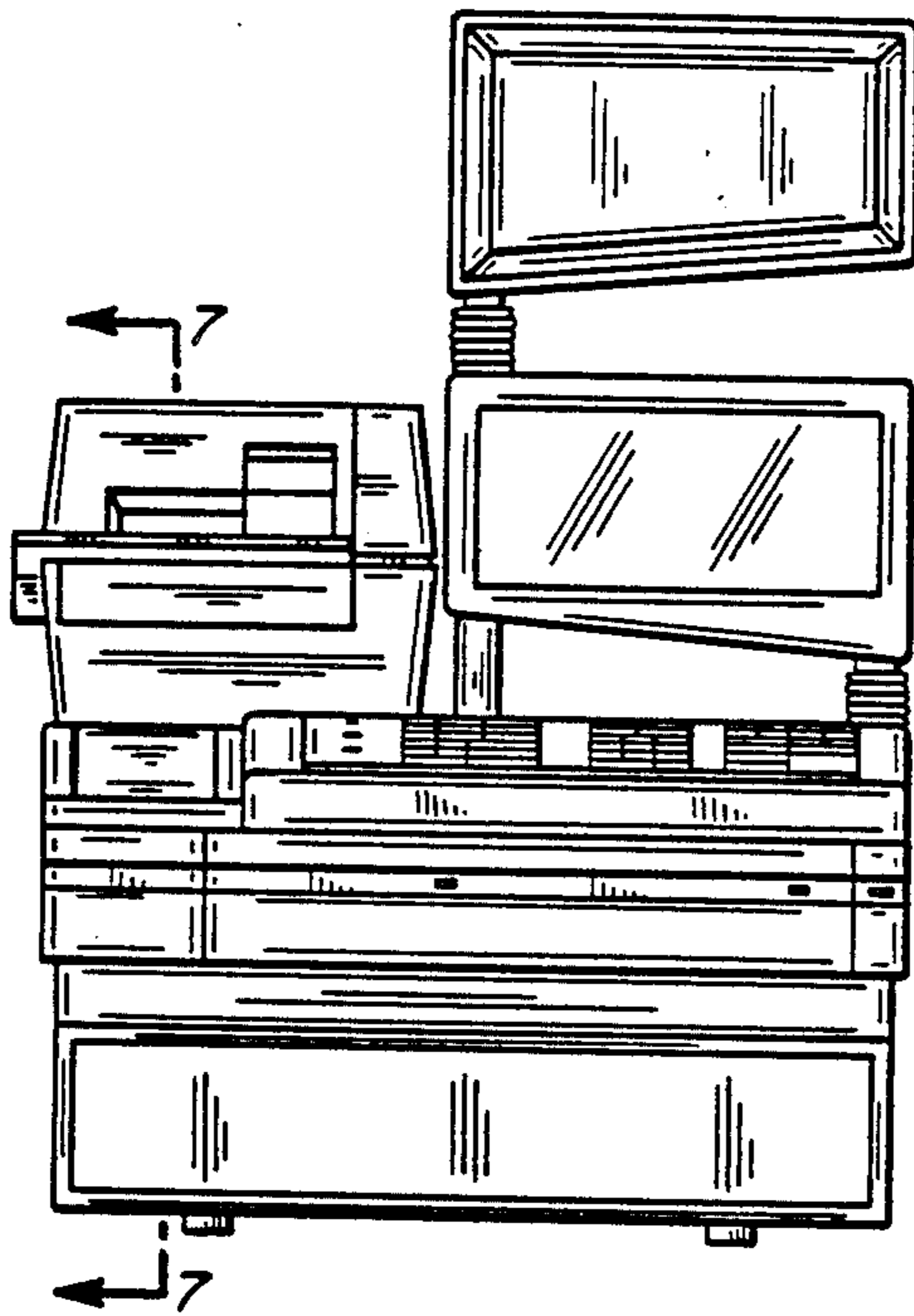
[57] CLAIM

The ornamental design for a cash register, as shown and described.

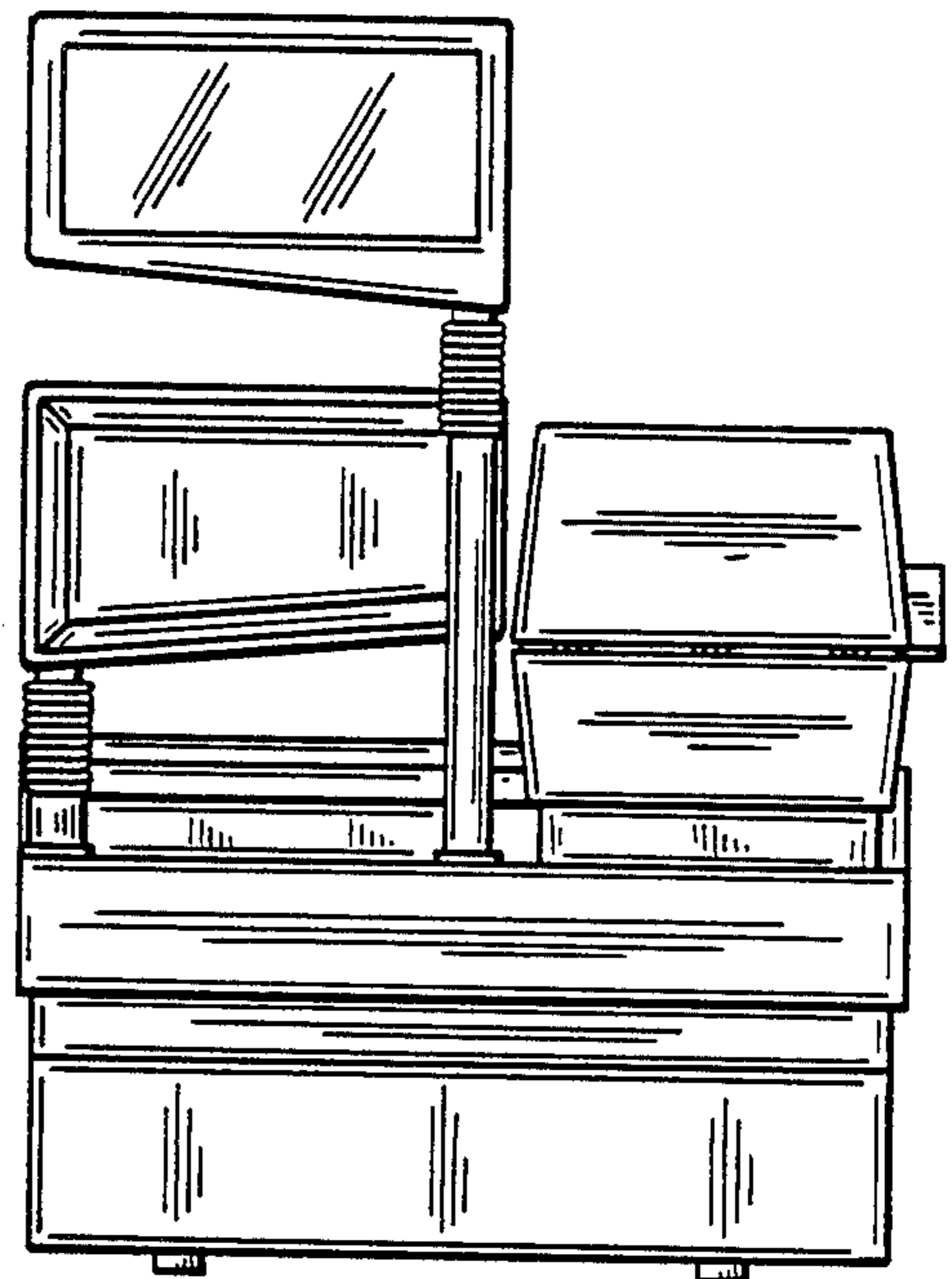
DESCRIPTION

FIG. 1 is a front elevational view of a cash register showing our new design;
FIG. 2 is a rear elevational view thereof;
FIG. 3 is a top plan view thereof;
FIG. 4 is a bottom plan view thereof;
FIG. 5 is a right side elevational view thereof;
FIG. 6 is a left side elevational view thereof; and
FIG. 7 is an enlarged sectional view thereof taken along the line 7—7 of FIG. 1.

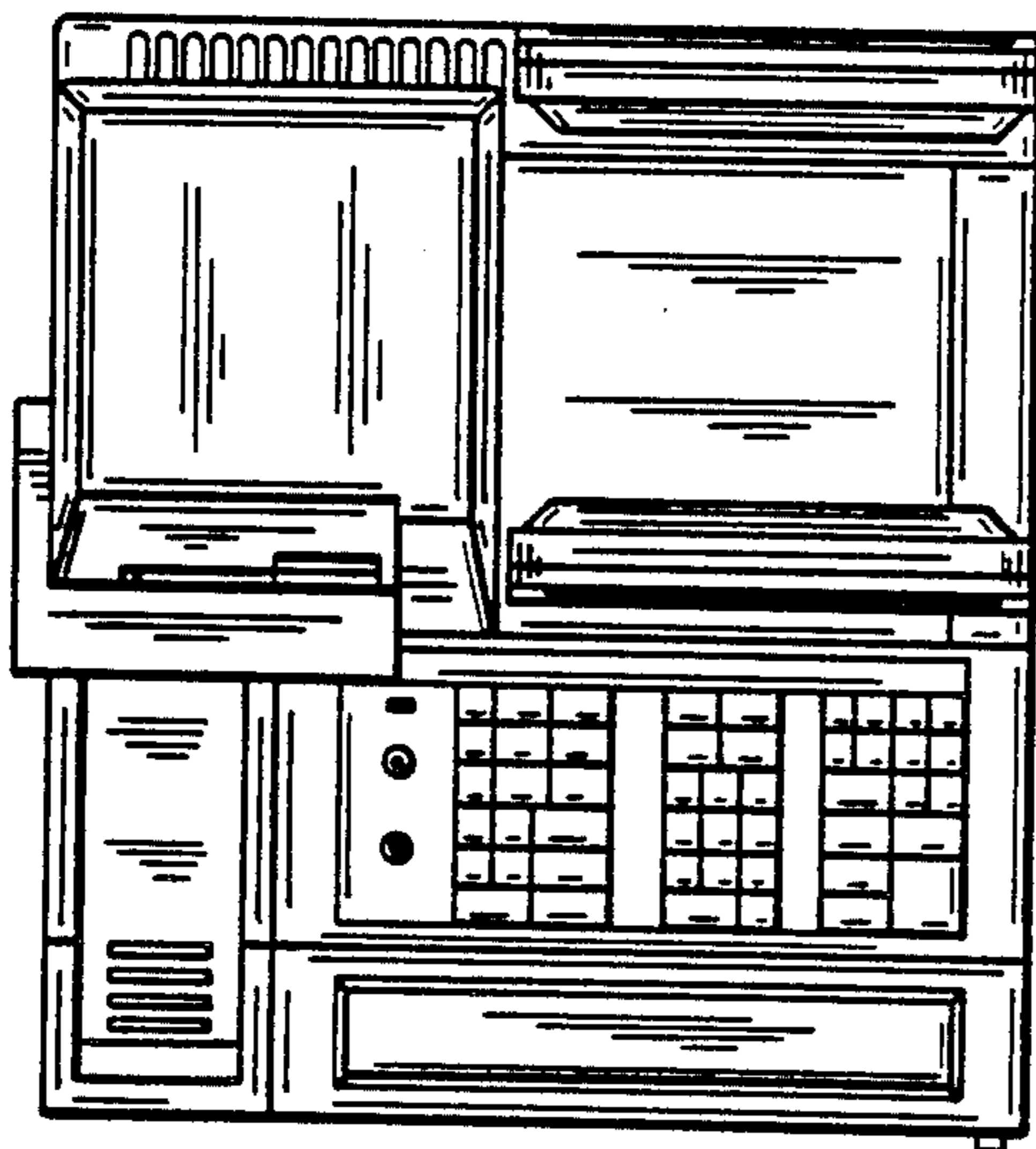




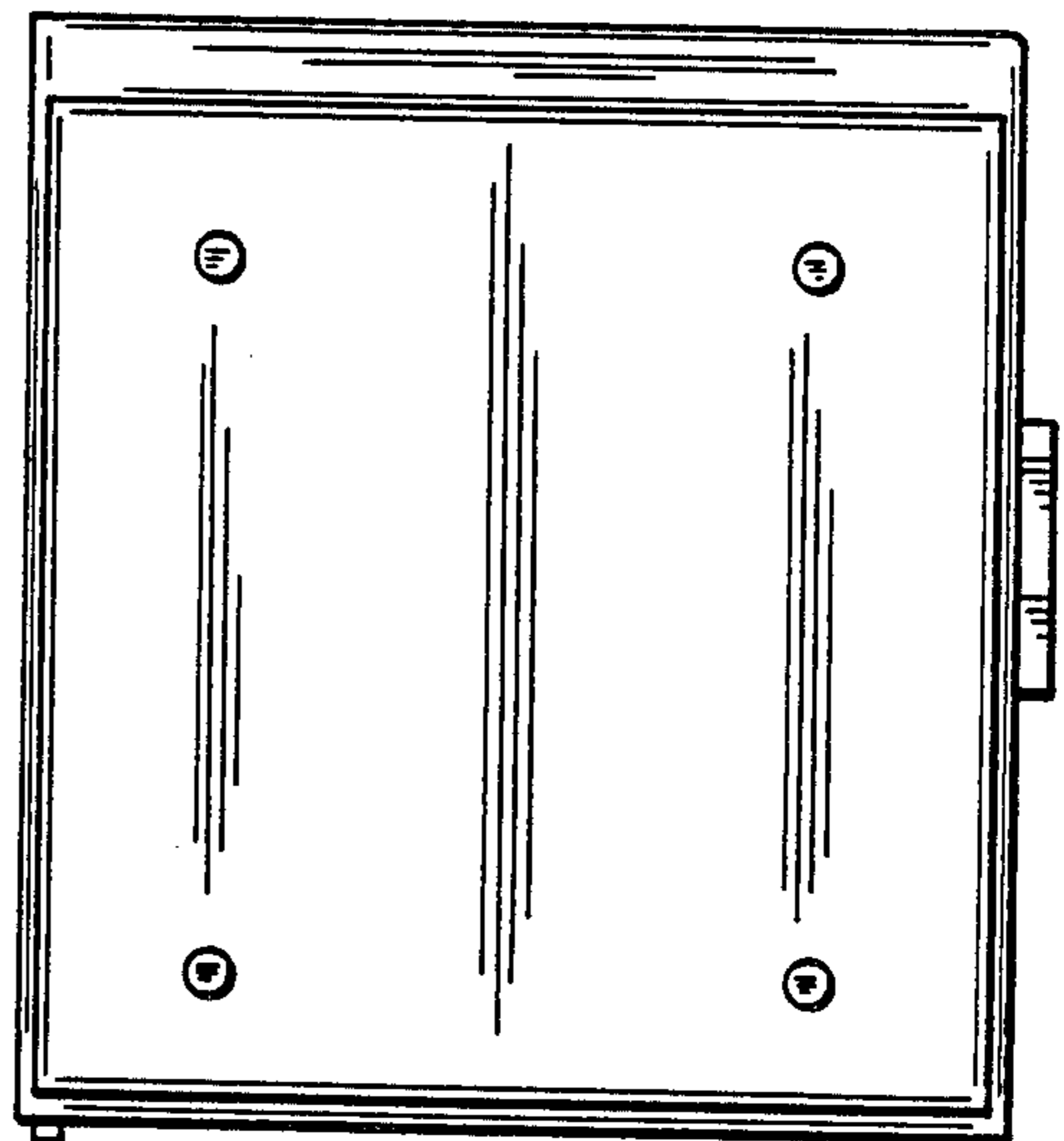
FIG_1



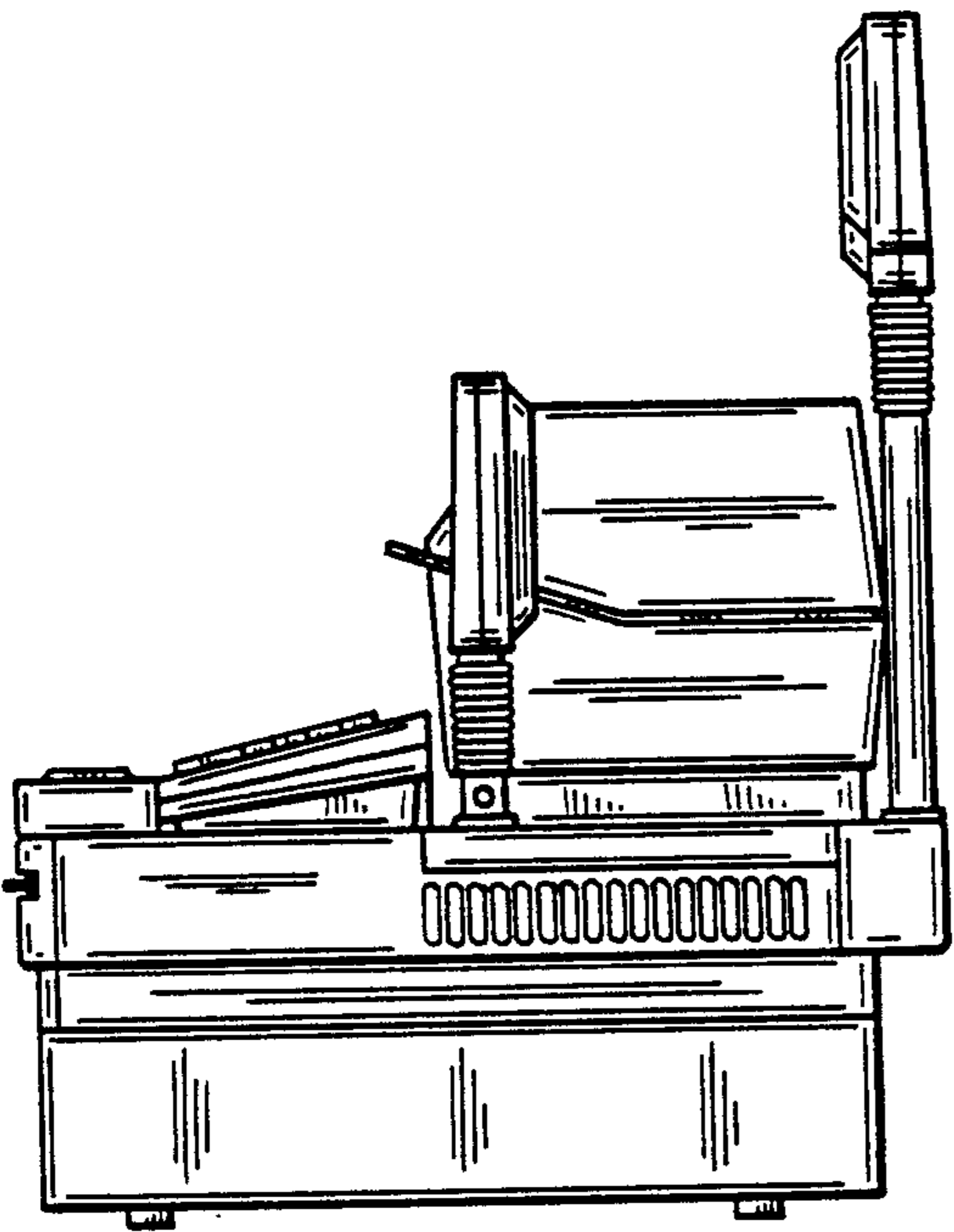
FIG_2



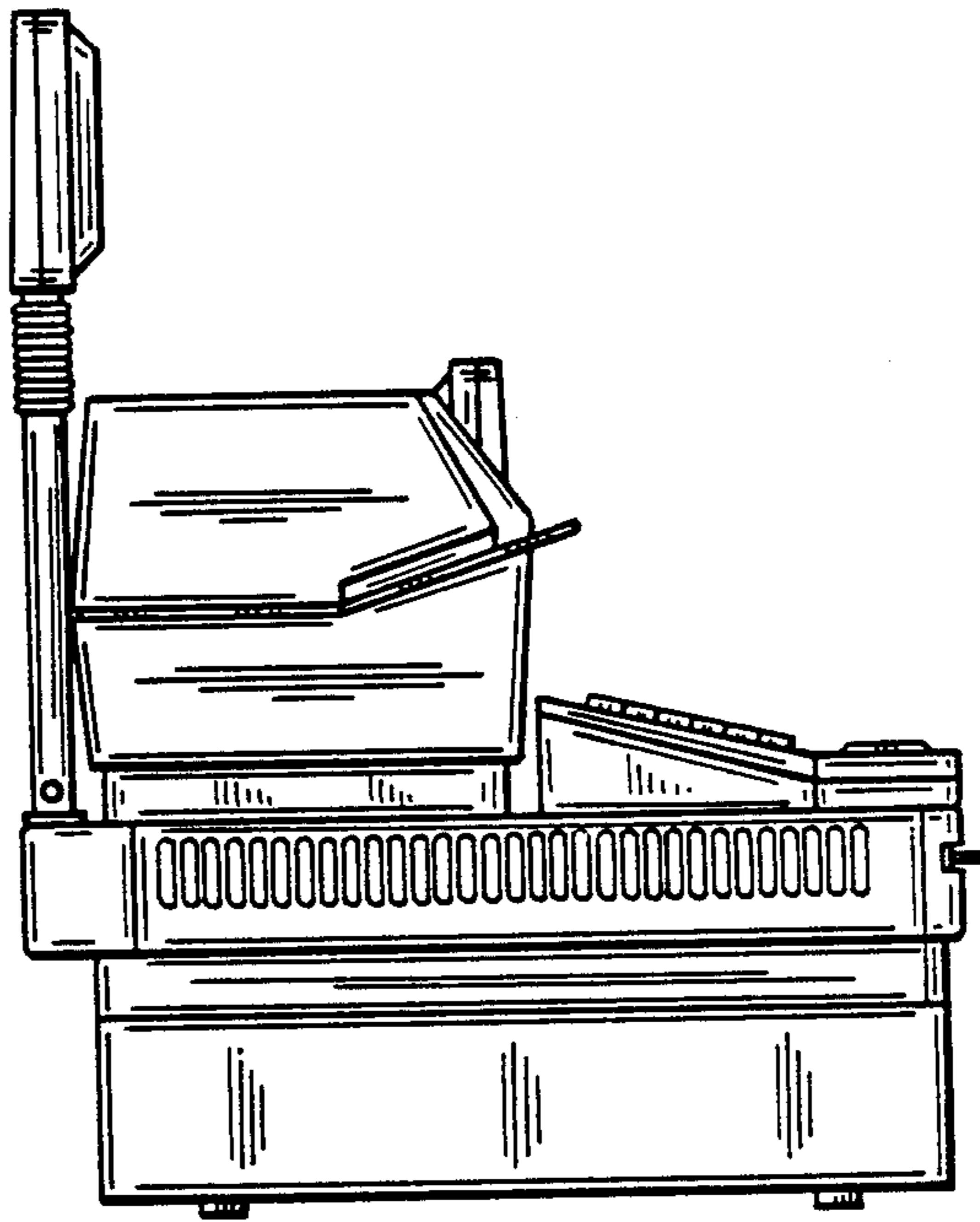
FIG_3



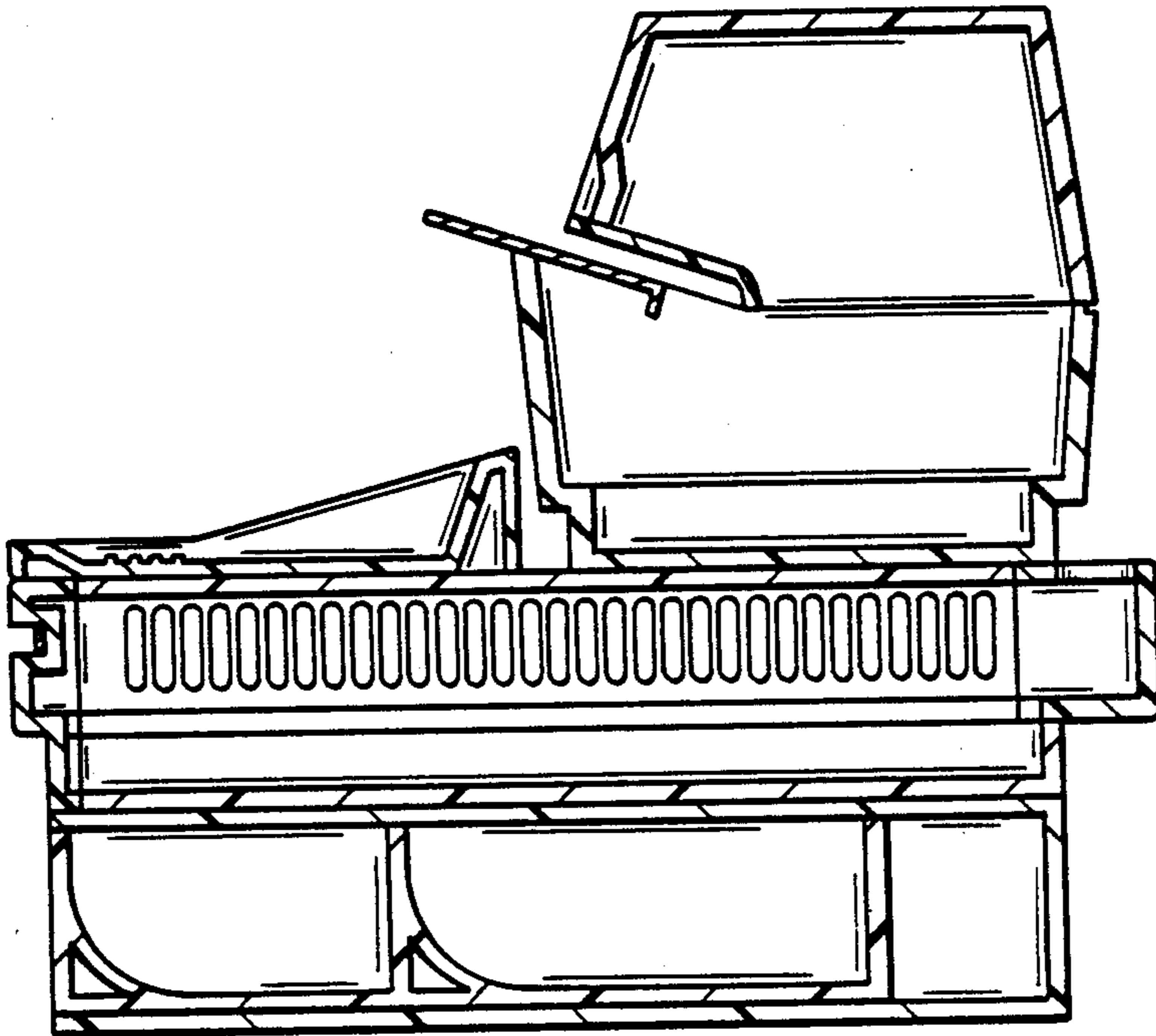
FIG_4



FIG_5



FIG_6



FIG_7