

[54] **HYDROCYCLONE CENTRIFUGAL SEPARATOR**

[75] **Inventor: Friedrich Donhauser, Amberg, Fed. Rep. of Germany**

[73] **Assignee: Aamberger Kaolinwerke GmbH, Hirschau, Fed. Rep. of Germany**

[\*\*] **Term: 14 Years**

[21] **Appl. No.: 757,140**

[22] **Filed: Jul. 22, 1985**

[30] **Foreign Application Priority Data**

Jan. 24, 1985 [DE] Fed. Rep. of Germany ... MR II 356

[52] **U.S. Cl. .... D15/147**

[58] **Field of Search .... D15/147; 209/199**

[56] **References Cited**  
**U.S. PATENT DOCUMENTS**

D. 264,974	6/1982	Summers .....	D15/199
D. 280,628	9/1985	Besson .....	D15/147
2,700,467	1/1955	Dorman .....	209/199
3,732,979	5/1973	Gilkey .....	209/199
4,221,555	9/1980	Boon .....	209/199

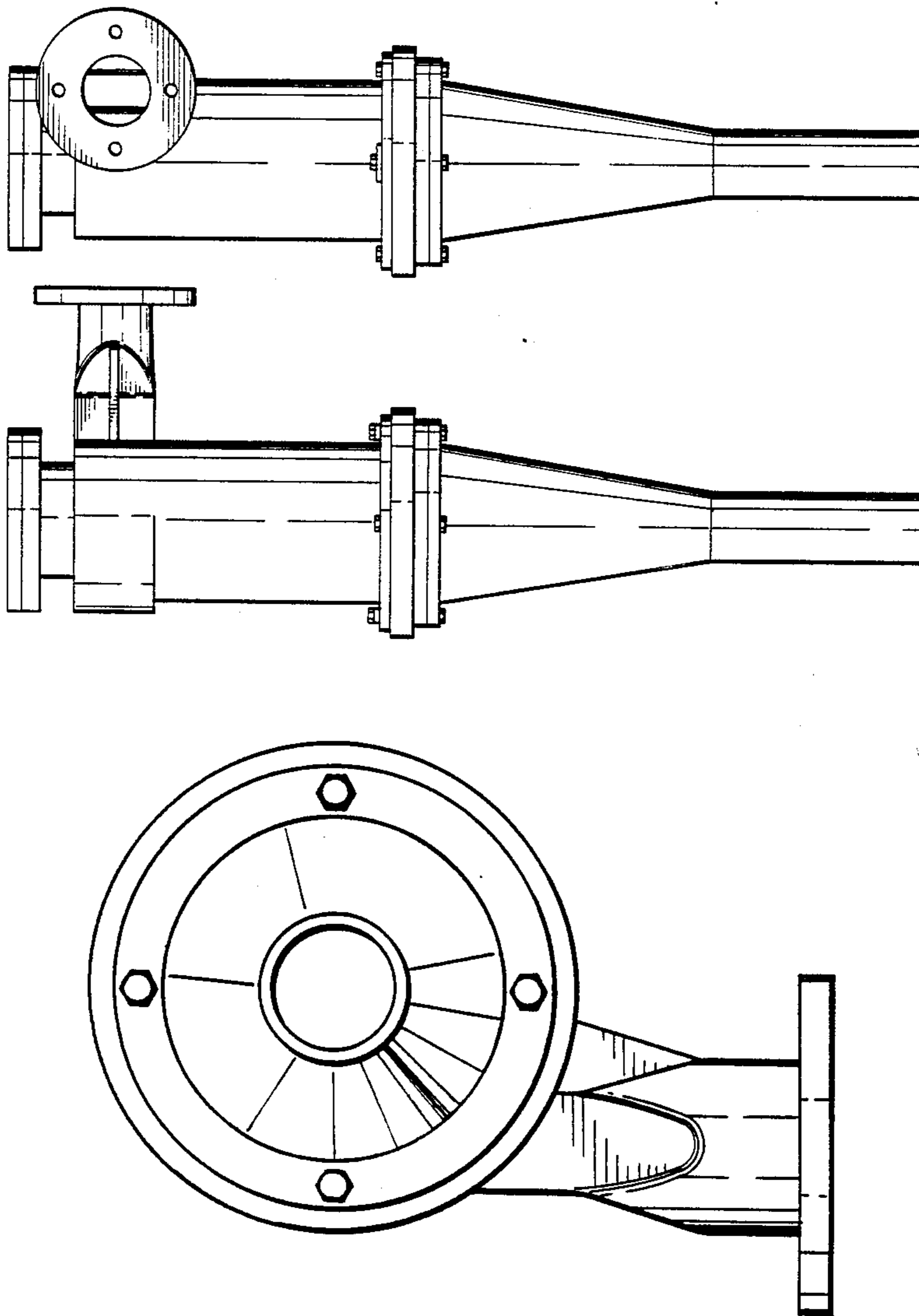
*Primary Examiner*—B. J. Bullock  
*Attorney, Agent, or Firm*—Bacon & Thomas

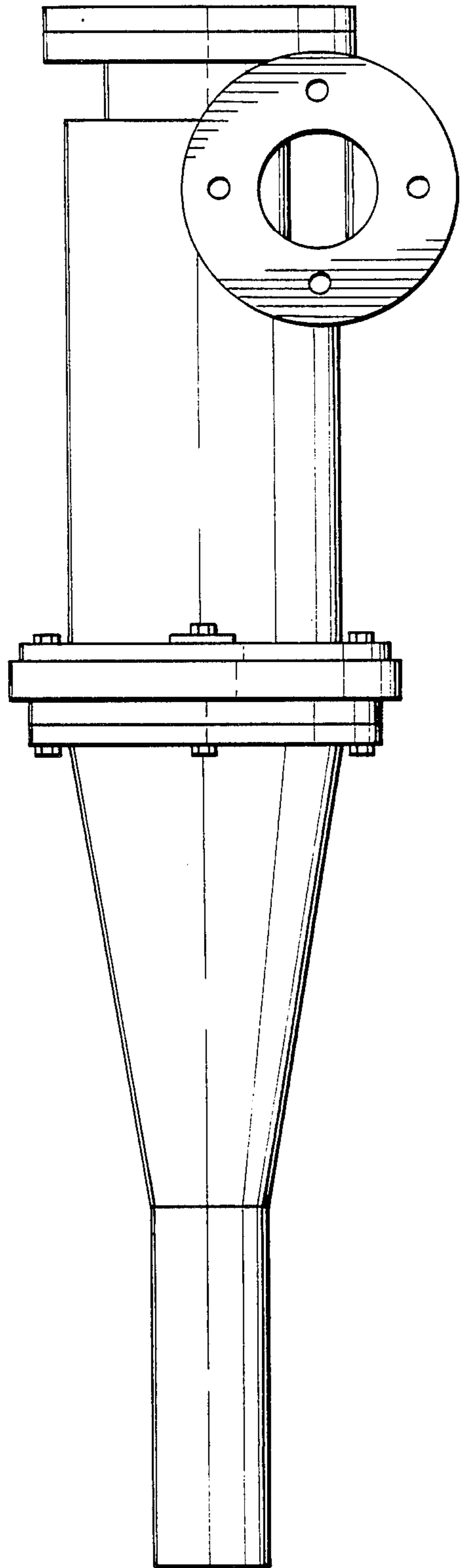
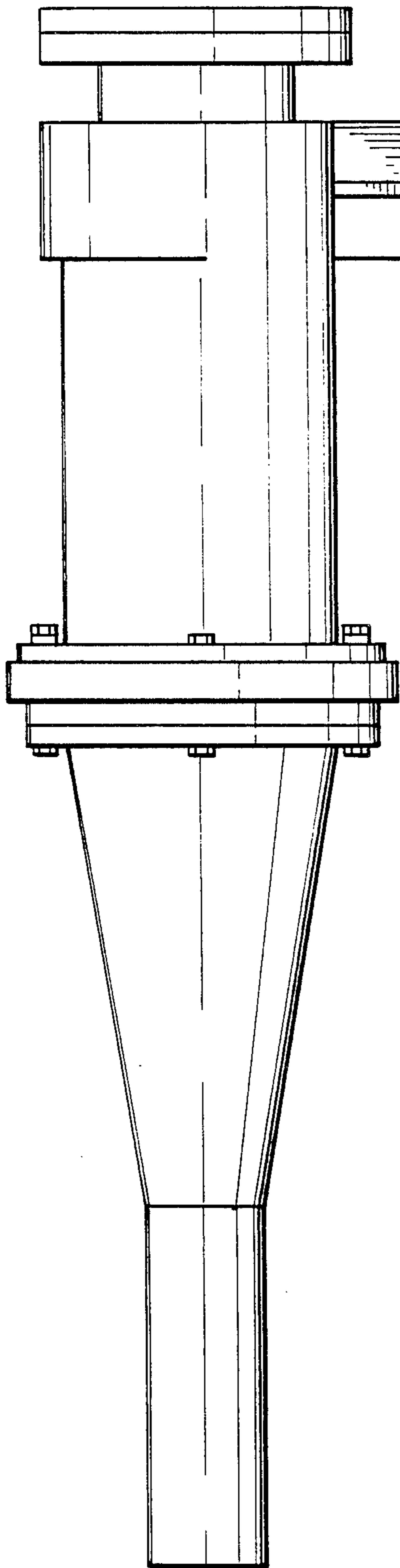
[57] **CLAIM**

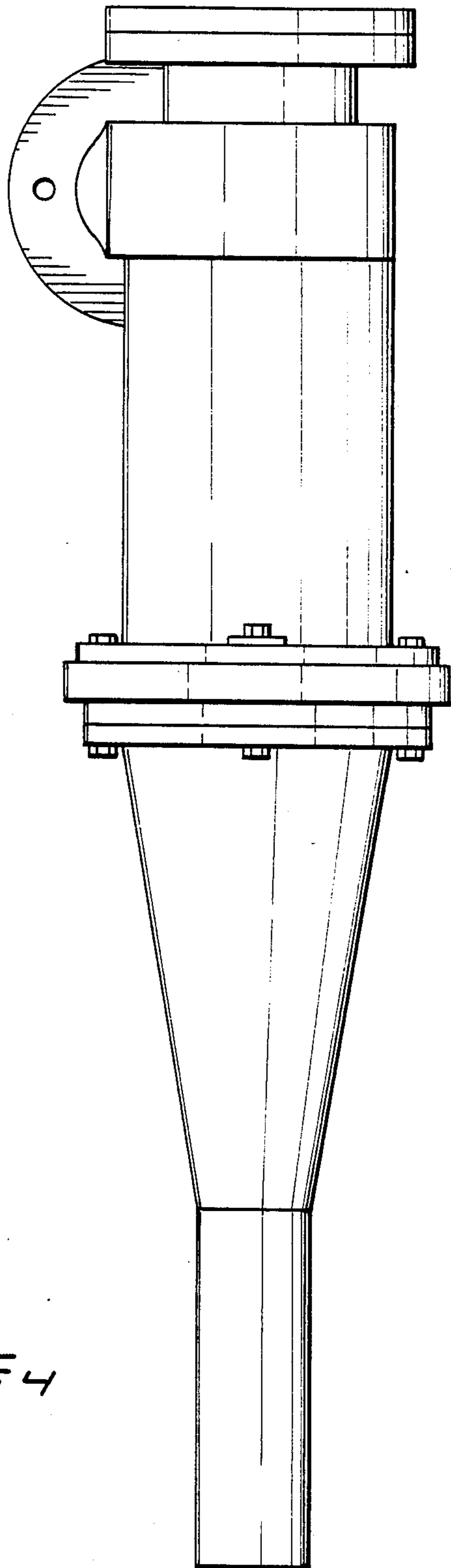
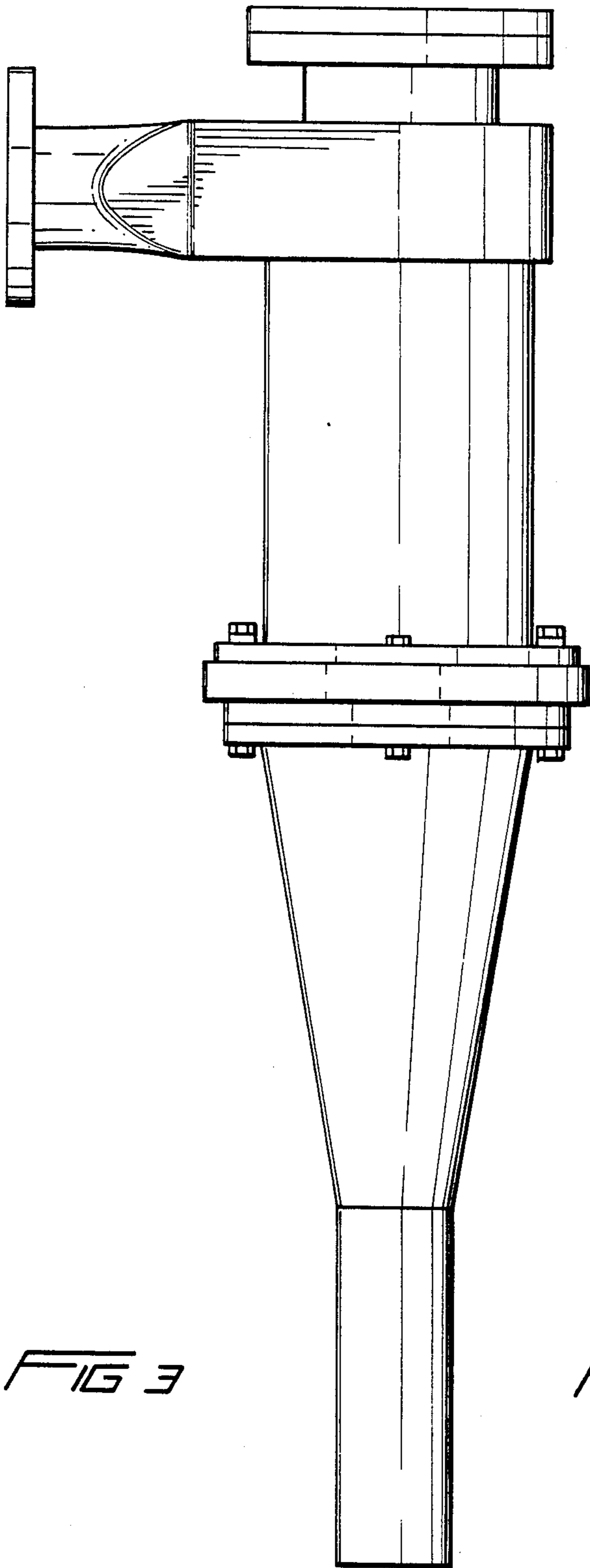
The ornamental design for a hydrocyclone centrifugal separator, as shown and described.

**DESCRIPTION**

FIG. 1 is a right side view of a hydrocyclone centrifugal separator, showing my new design;  
 FIG. 2 is a rear view thereof;  
 FIG. 3 is a left side view thereof;  
 FIG. 4 is a front view thereof;  
 FIG. 5 is a top view thereof;  
 FIG. 6 is a bottom view thereof.







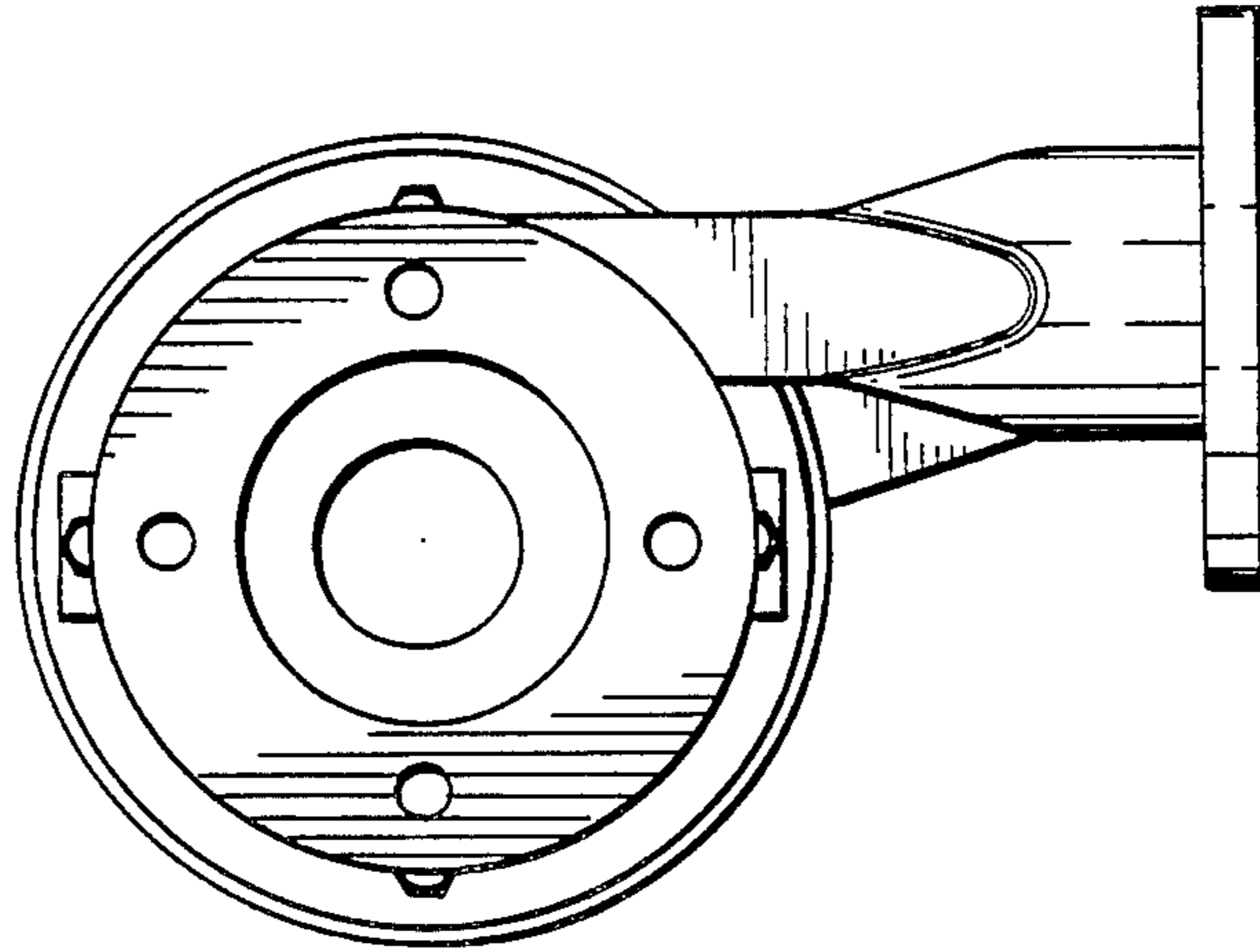


FIG 5

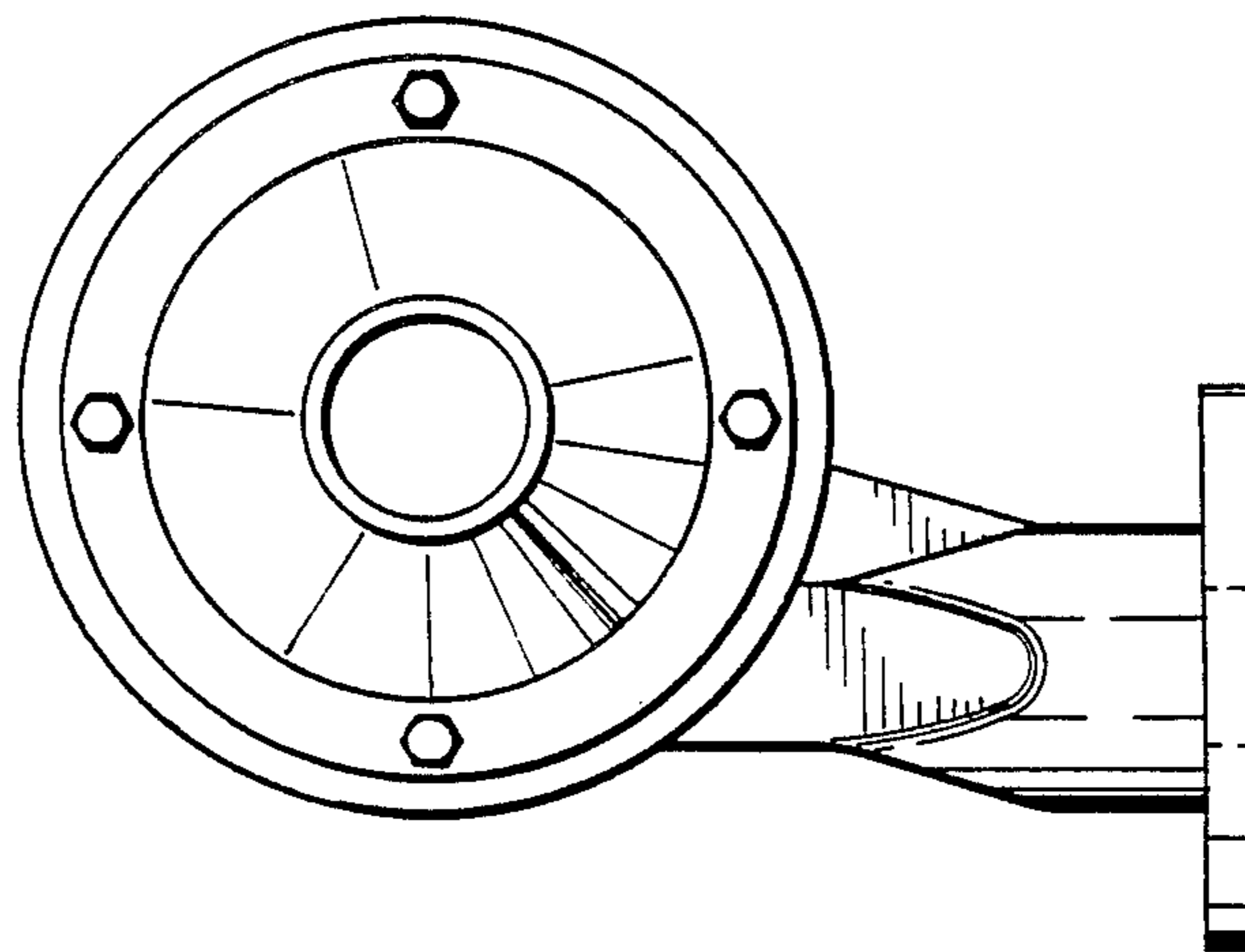


FIG 6