

[54] **ROTARY AIR COMPRESSOR**

[75] **Inventor: Michael R. Williams, Sollihull, England**

[73] **Assignee: The Hydrovane Compressor Company, Limited, West Midlands, England**

[\*\*] **Term: 14 Years**

[21] **Appl. No.: 700,686**

[22] **Filed: Feb. 12, 1985**

[30] **Foreign Application Priority Data**

Aug. 17, 1984 [GB] United Kingdom ..... 1021557  
[52] **U.S. Cl.** ..... **D15/9**  
[58] **Field of Search** ..... D15/7, 9; 417/321, 410, 417/405, 416, 420, 423 R; 415/DIG. 6

[56]

**References Cited**

**U.S. PATENT DOCUMENTS**

D. 186,742 11/1959 Griparis ..... D15/7  
D. 274,433 6/1984 Boller ..... D15/7

*Primary Examiner*—Wallace R. Burke  
*Assistant Examiner*—Brian N. Vinson  
*Attorney, Agent, or Firm*—McAulay, Fields, Fisher, Goldstein & Nissen

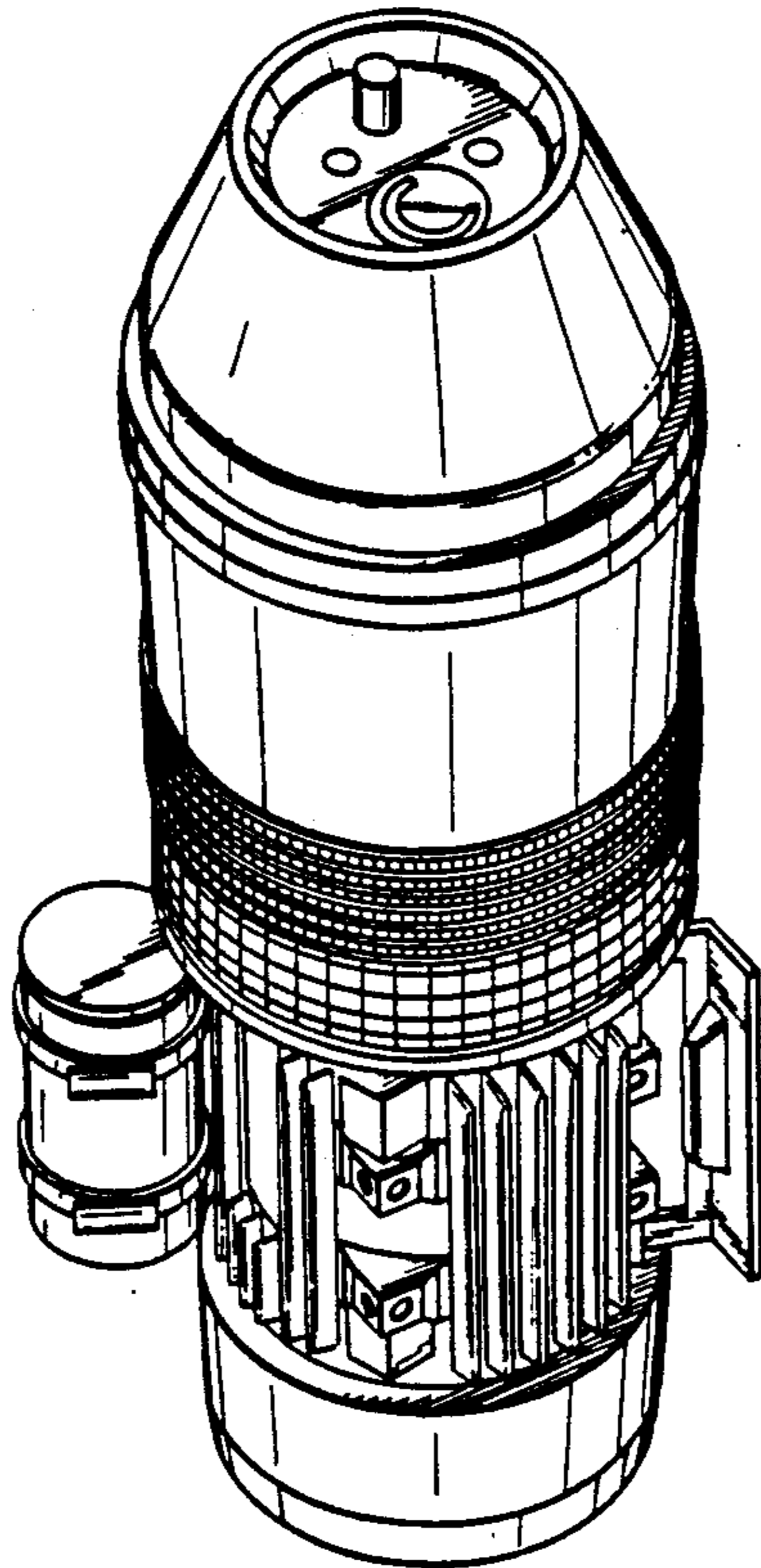
[57]

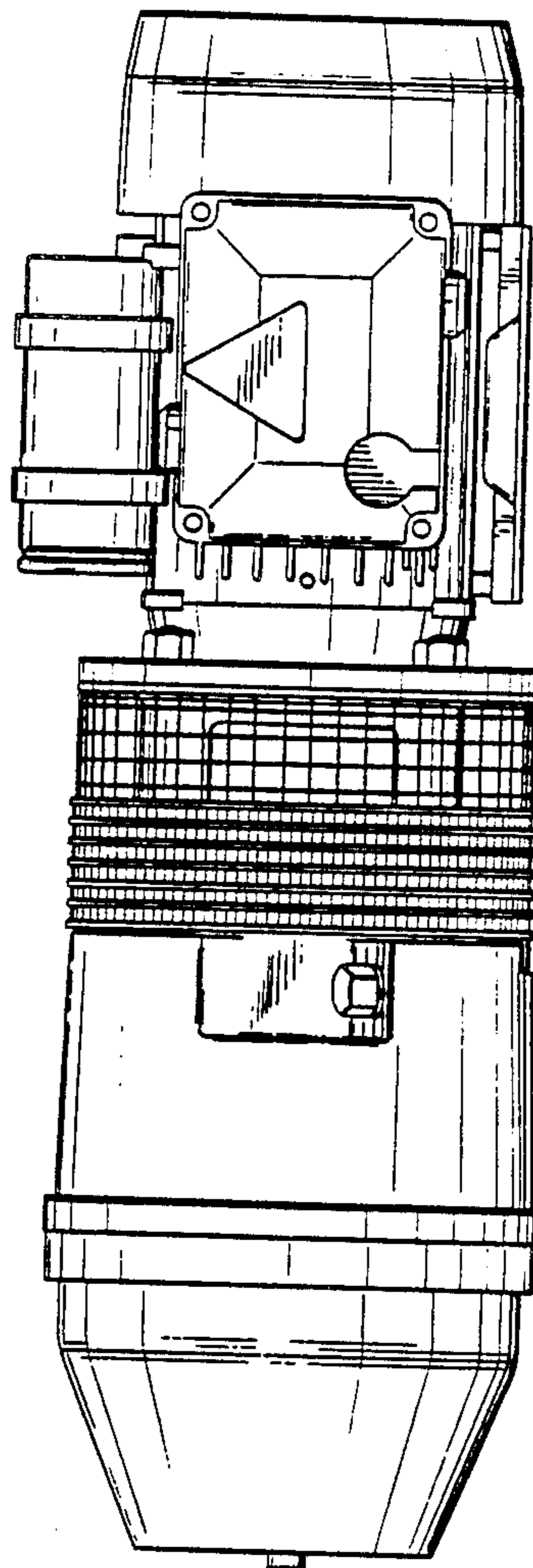
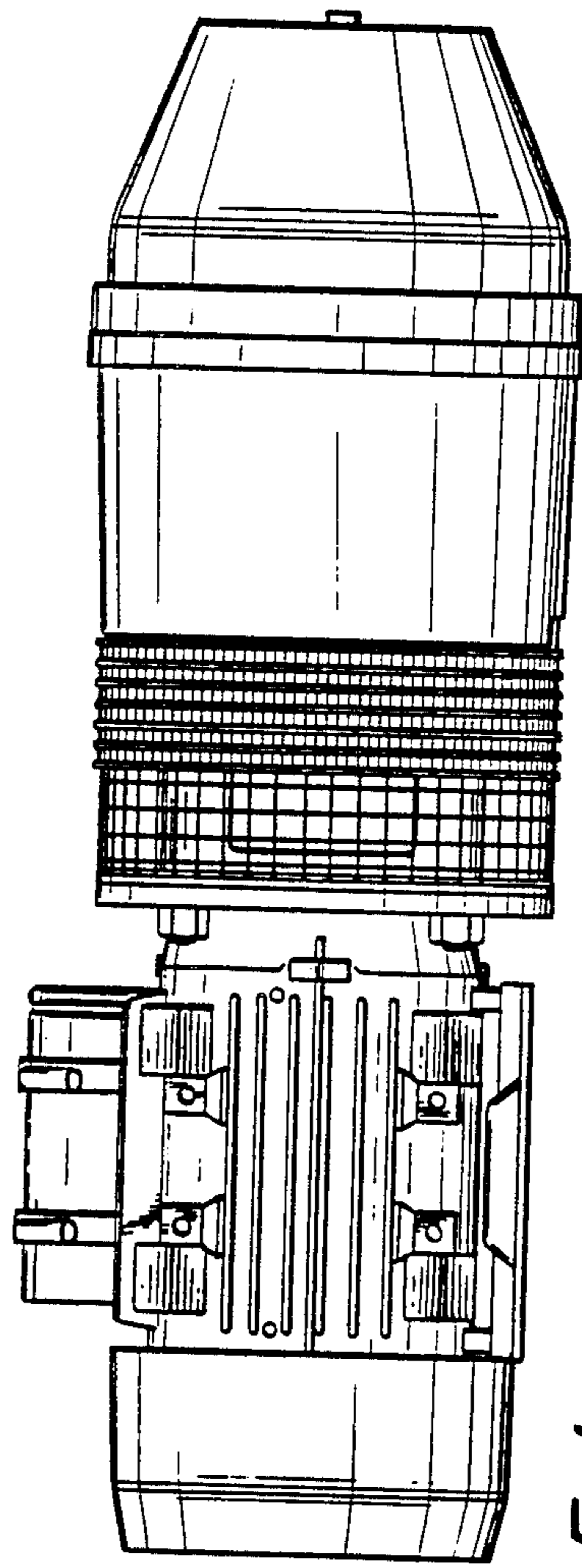
**CLAIM**

The ornamental design for a rotary air compressor, as shown.

**DESCRIPTION**

FIG. 1 is a left side elevational view of a rotary air compressor showing my new design;  
FIG. 2 is a right side elevational view thereof;  
FIG. 3 is a top plan view thereof;  
FIG. 4 is a front elevational view thereof;  
FIG. 5 is a rear elevational view thereof; and  
FIG. 6 is a perspective view thereof.





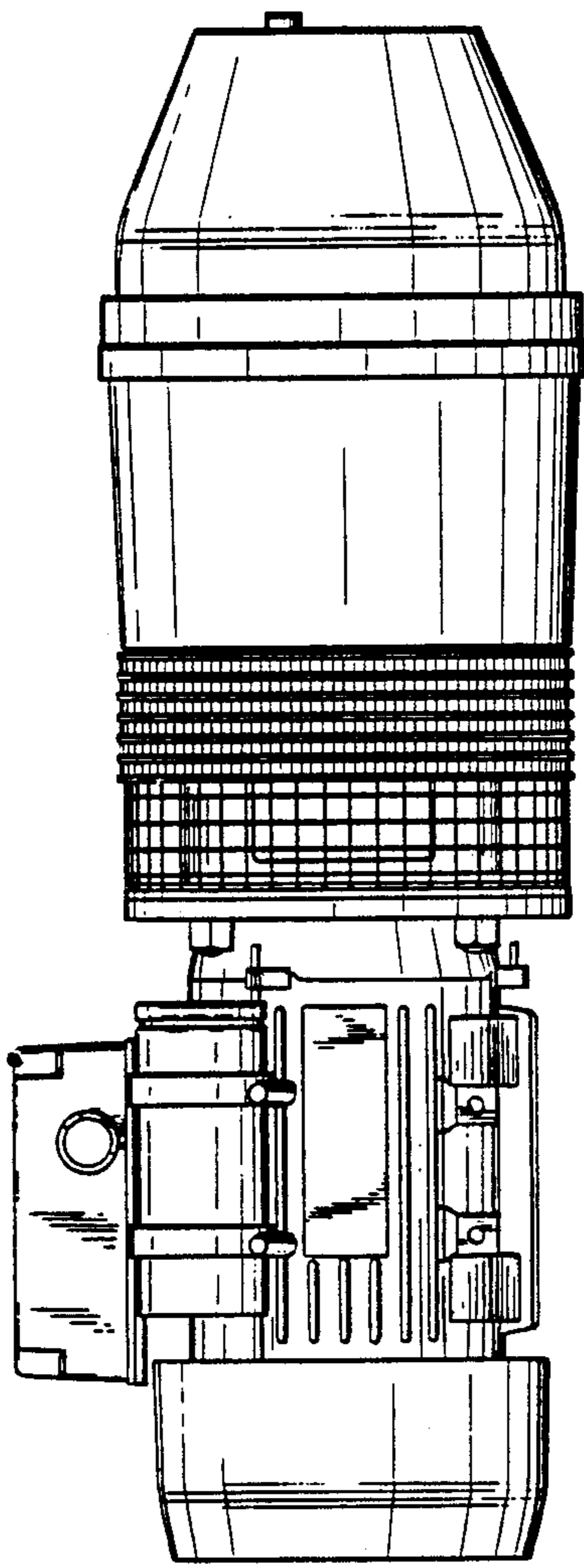


FIG. 3.

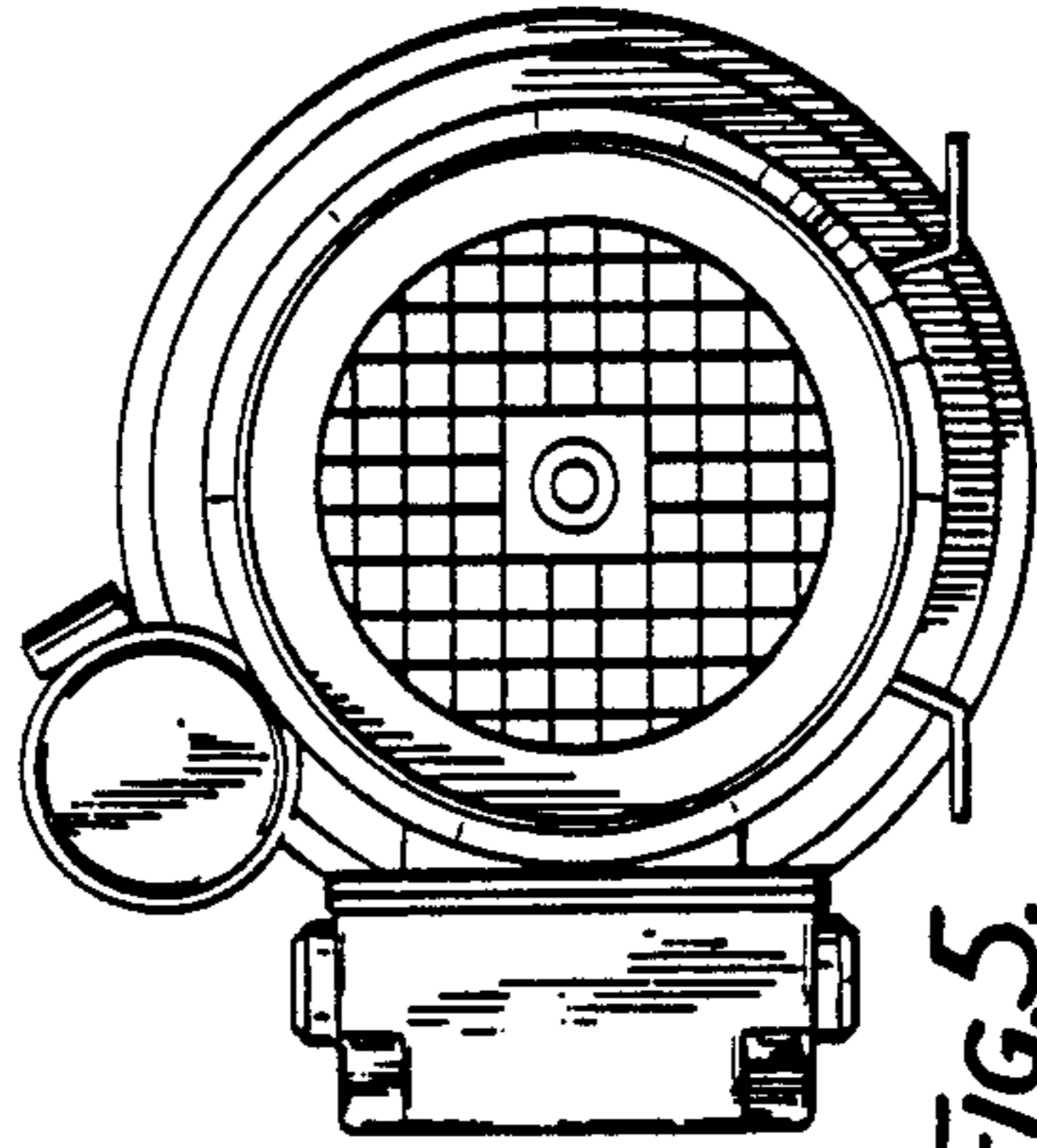


FIG. 5.

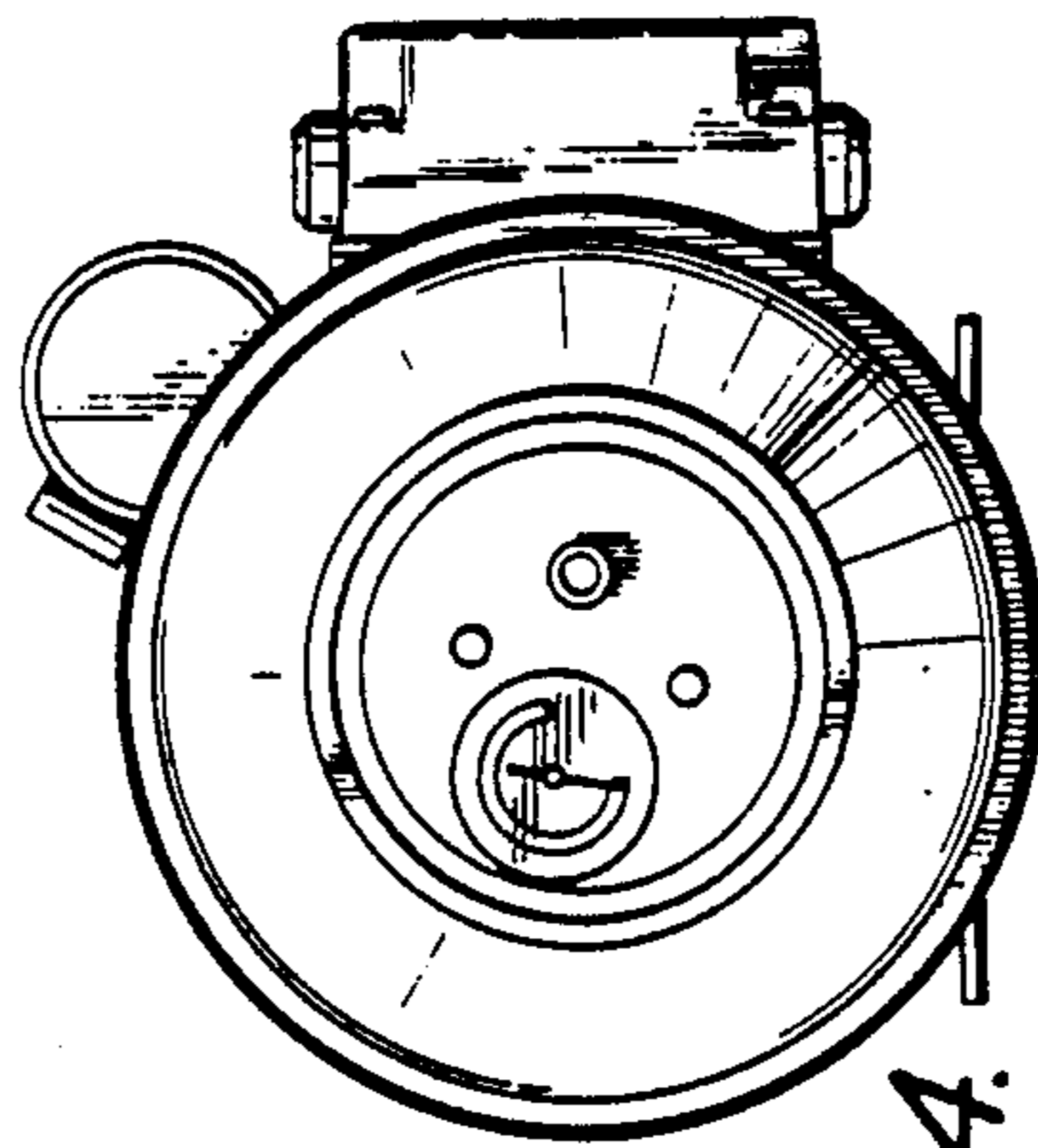


FIG. 4.

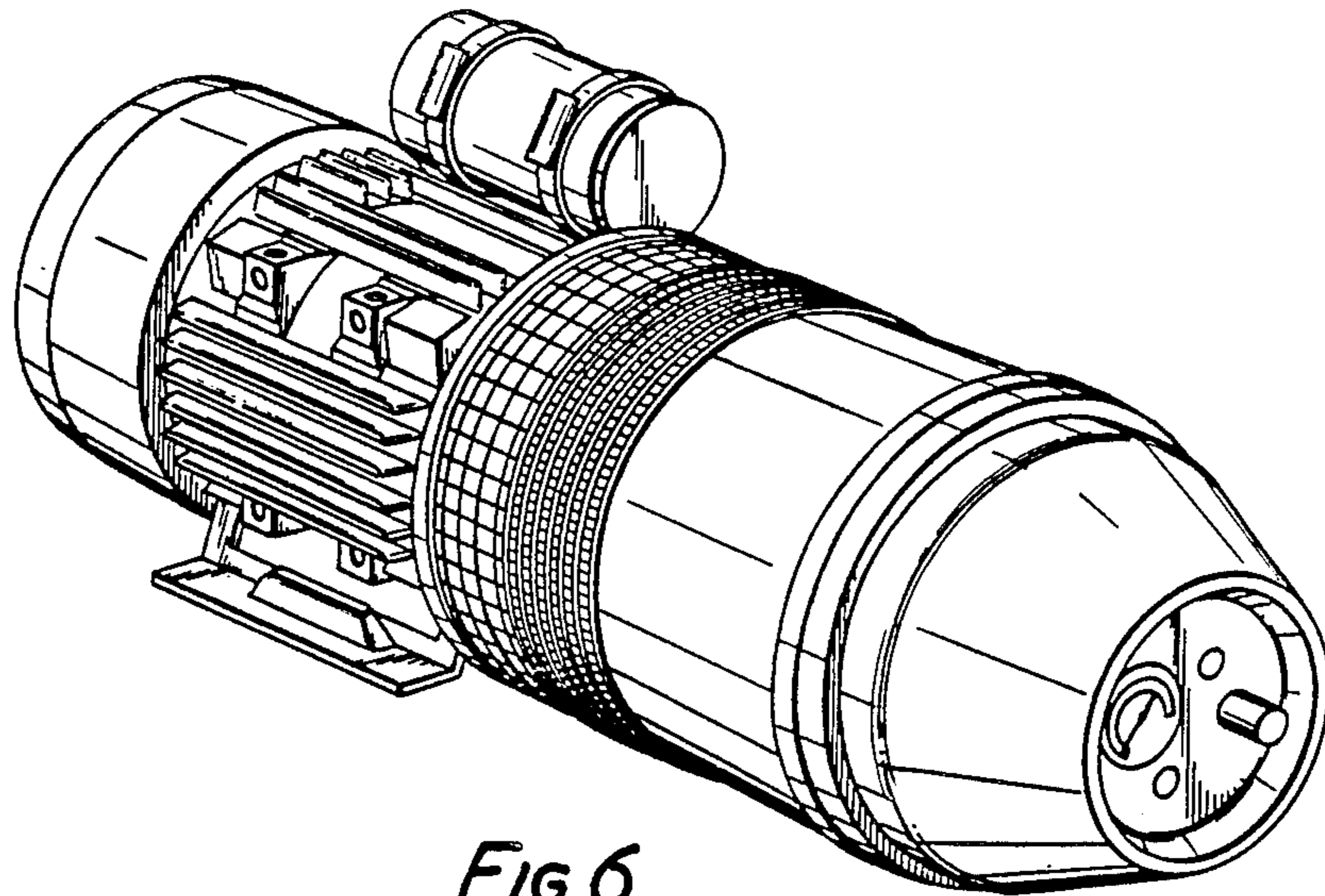


FIG. 6.