

[54] SWITCH HOUSING

3,012,090 12/1961 Robbins 174/52 R

[75] Inventors: Paul H. Troutman, Cincinnati; Eddie D. Lester, Blanchester; William G. Sonderman, Cincinnati, all of Ohio

[73] Assignee: Xomox Corporation, Cincinnati, Ohio

[*] Notice: The portion of the term of this patent subsequent to Feb. 23, 2002 has been disclaimed.

[**] Term: 14 Years

[21] Appl. No.: 676,092

[22] Filed: Nov. 29, 1984

[52] U.S. Cl. D13/32

[58] Field of Search D13/32, 35-38, D13/99; D8/353; 200/6 C, 51 R; 339/20, 23, 6 C, 6 A, 51 R; 174/50, 52 R, 65 R; 361/331-332, 334, 335, 357, 346, 380, 390-391, 415; 335/202

[56] References Cited

U.S. PATENT DOCUMENTS

• 1,402,769 1/1922 Hirshfeld 174/50

OTHER PUBLICATIONS

Acro-Mu Precision Snap Action Switches, Cat. No. 98, May 22, 1956, p. 31, Type M. Switches.

Gould Electronics, General Cat. 1983, p. 15, Type P Long Range Proximity Sensors.

Primary Examiner—Wallace R. Burke

Assistant Examiner—Ruth Takemoto

Attorney, Agent, or Firm—Frost & Jacobs

[57] CLAIM

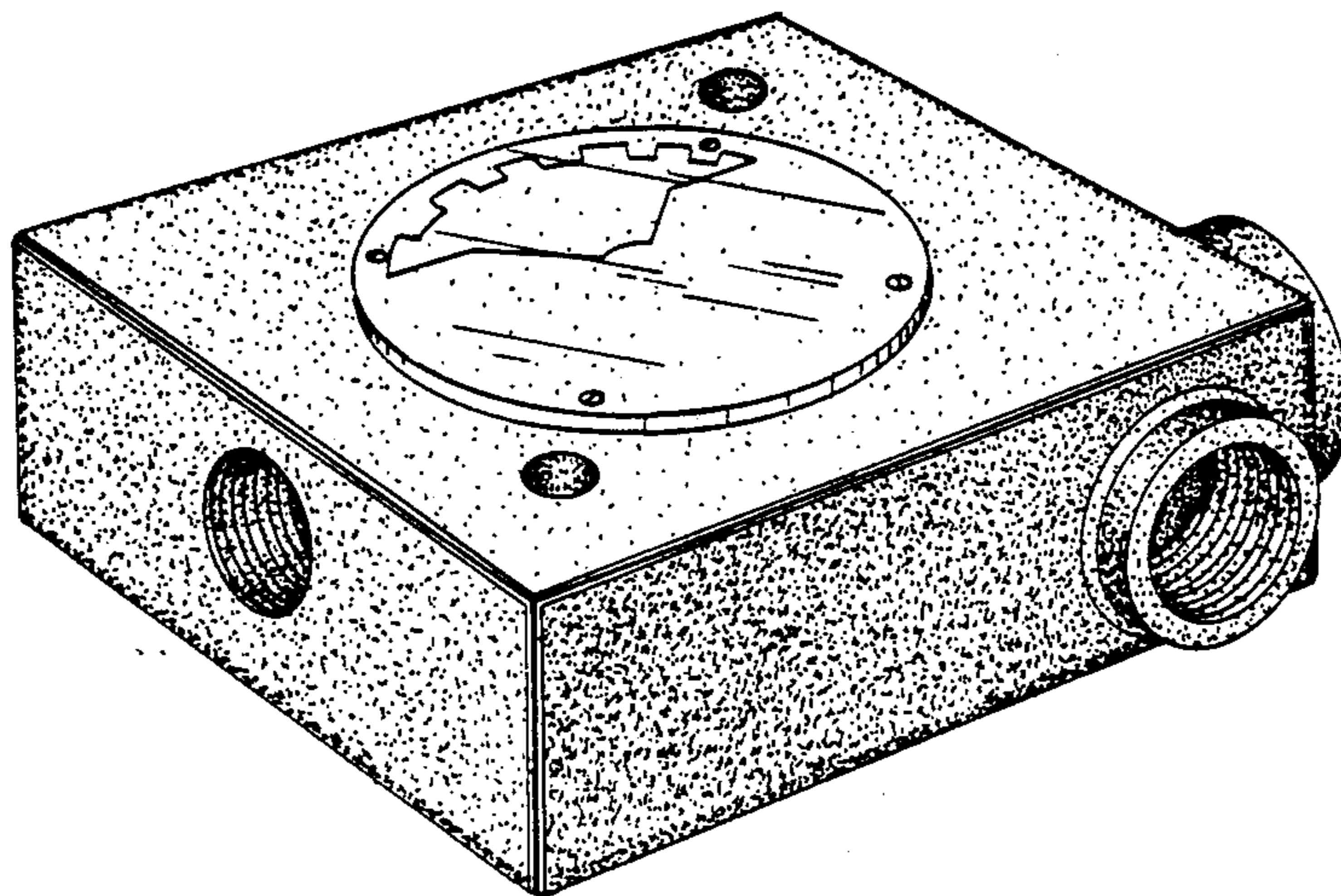
The ornamental design for a switch housing, substantially as shown and described.

DESCRIPTION

FIG. 1 is a top and side perspective view of a switch housing showing our new design;

FIG. 2 is a bottom and side perspective view thereof; and

FIG. 3 is a perspective view thereof, mounted on top of an actuator housing which is shown in broken lines for illustrative purposes only and forms no part of the claimed design.



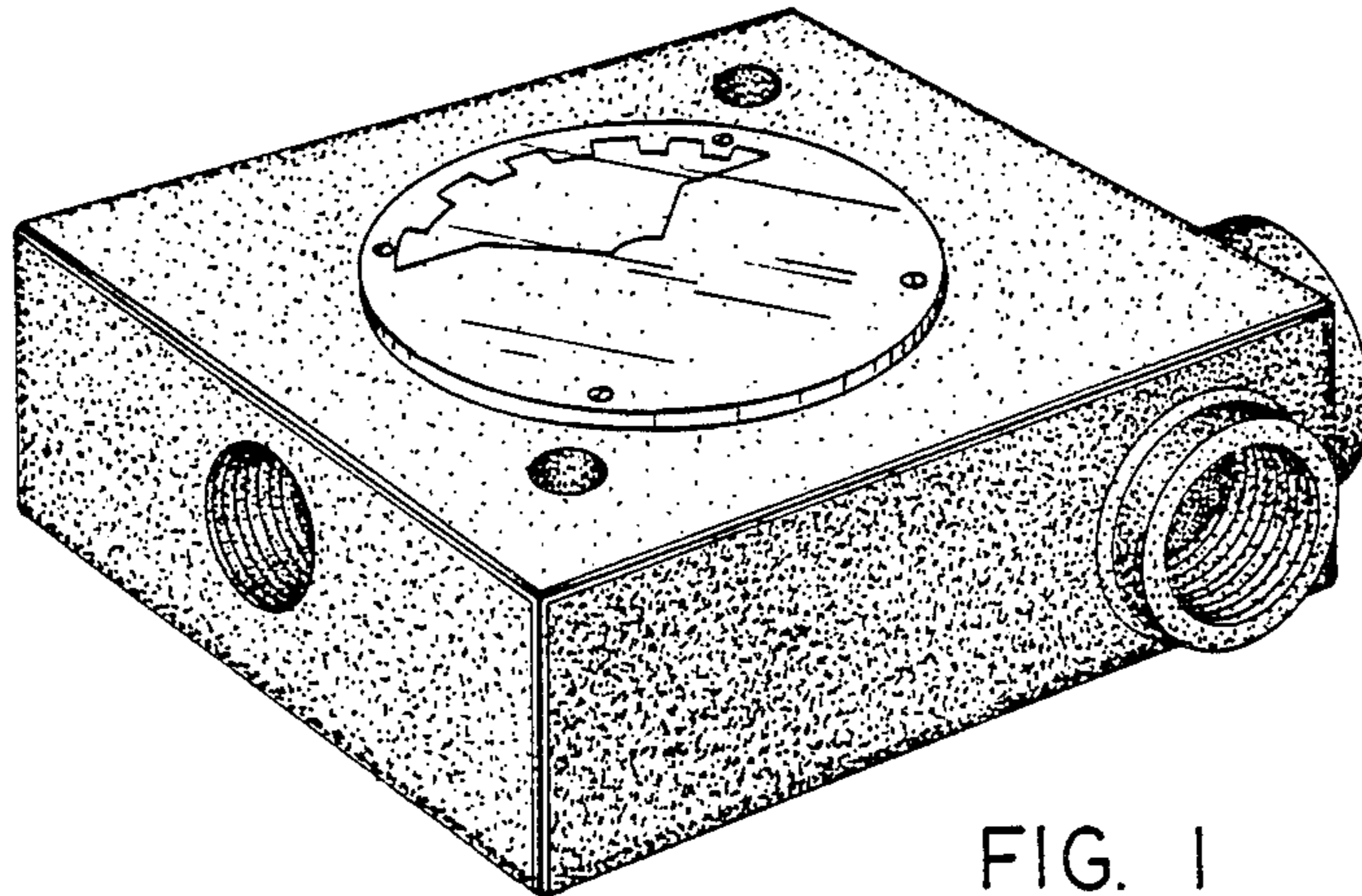


FIG. 1

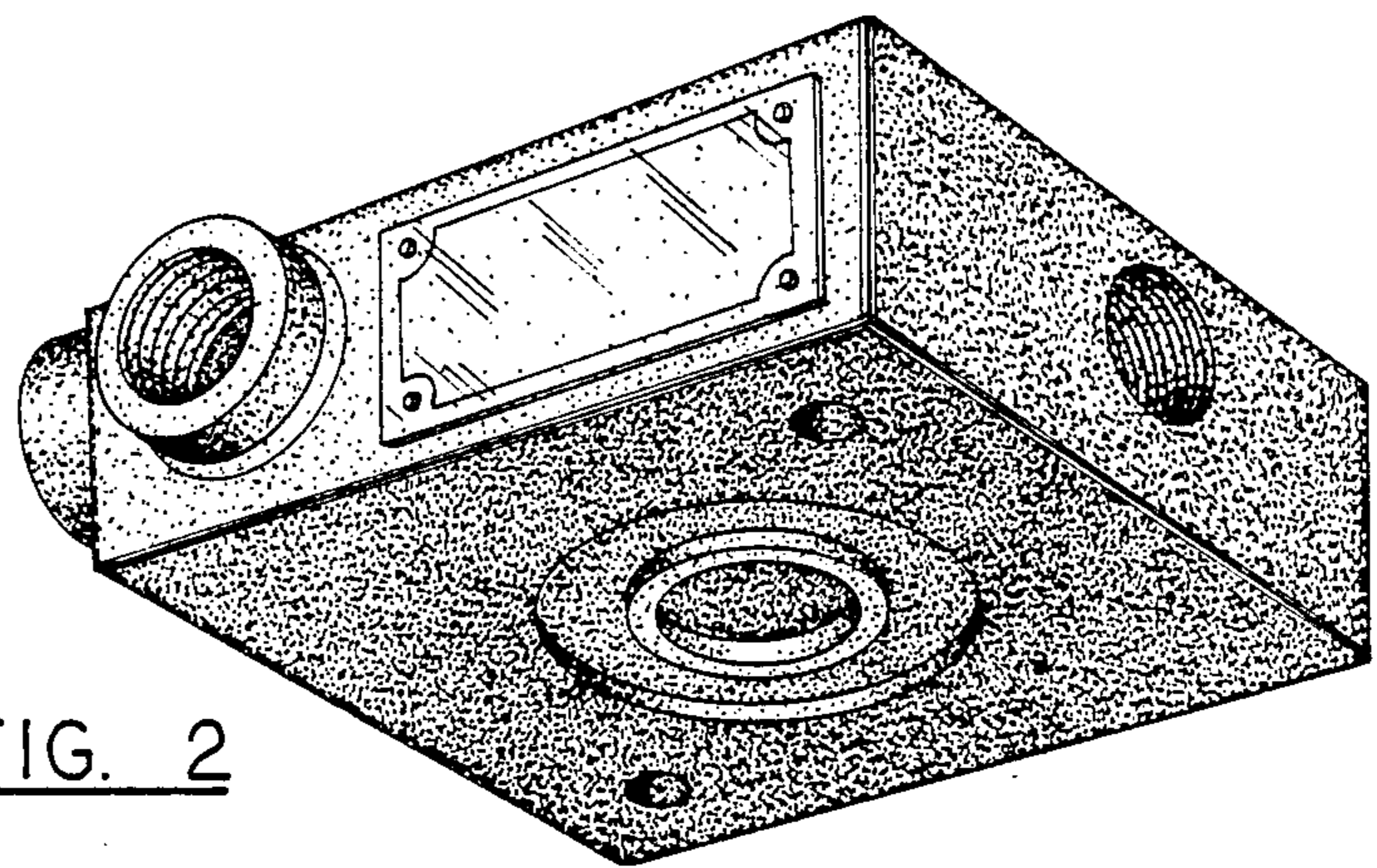


FIG. 2

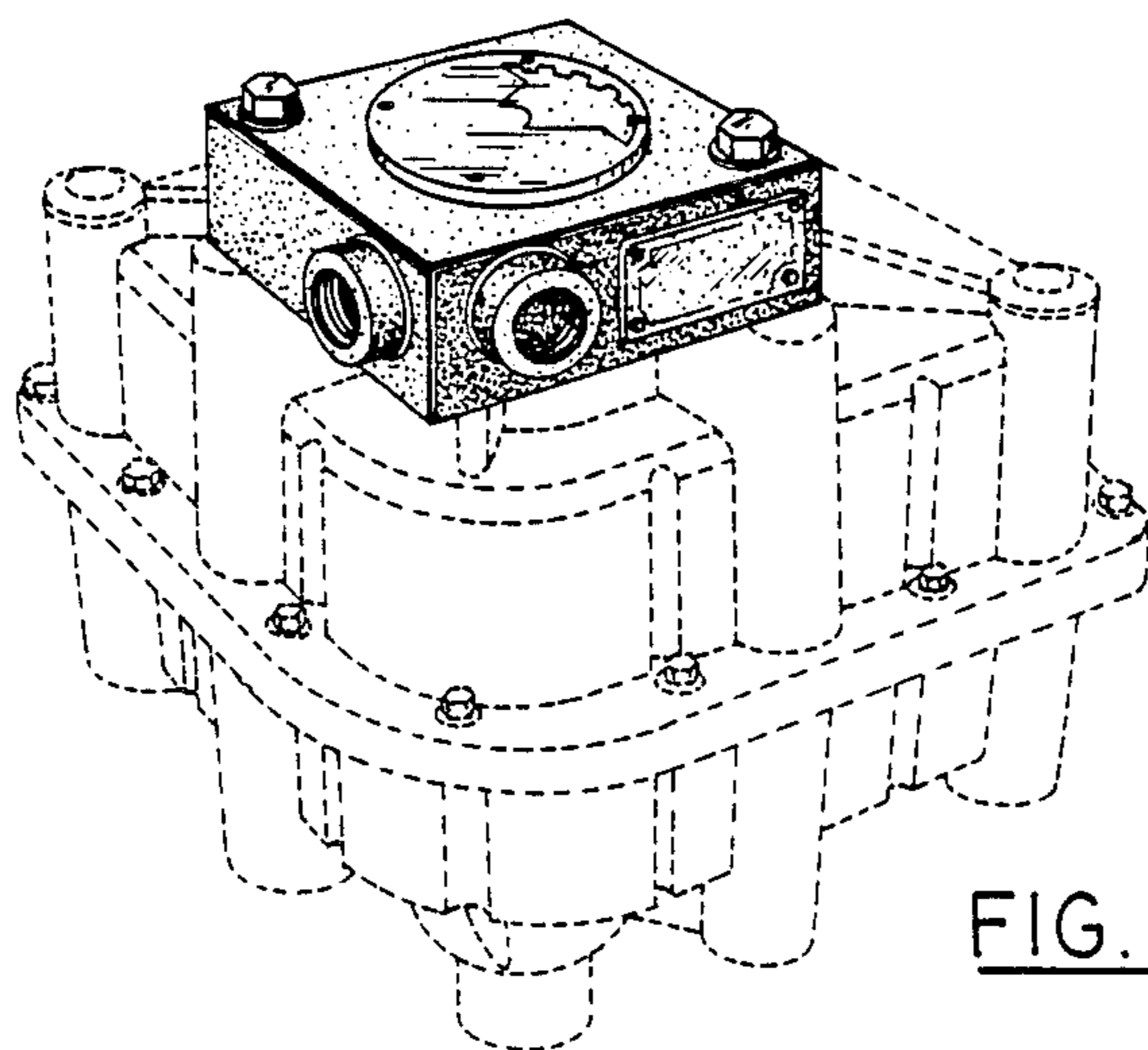


FIG. 3