

# United States Patent [19]

Robson

[11] Patent Number: Des. 294,340

[45] Date of Patent: \*\* Feb. 23, 1988

[54] VEHICLE ARTICLE CARRIER SUPPORT BRACKET

[76] Inventor: Lewis L. Robson, 78 Holt Street, Taren Point, New South Wales, Australia

[\*\*] Term: 14 Years

[21] Appl. No.: 804,989

[22] Filed: Nov. 14, 1985

[30] Foreign Application Priority Data

Jul. 10, 1985 [AU] Australia ..... 1798/85

[52] U.S. Cl. .... D12/157

[58] Field of Search ..... D12/157; D8/382, 383; 224/321, 322, 324, 325, 326, 329, 330, 331

[56] References Cited

## U.S. PATENT DOCUMENTS

D. 280,983	10/1985	Schinella	.....	D12/157
3,261,520	7/1966	Andersson	.....	224/42.1
4,156,497	5/1979	Bott	.....	224/326
4,165,827	8/1979	Bott	.....	224/326
4,264,025	4/1981	Ferguson et al.	.....	224/321
4,299,346	11/1981	Helm	.....	224/325
4,406,386	9/1983	Rasor et al.	.....	224/321
4,448,336	5/1984	Bott	.....	224/309

4,501,385	2/1985	Bott	.....	224/319
4,501,386	2/1985	Rasor et al.	.....	224/326

## FOREIGN PATENT DOCUMENTS

971140	7/1975	Canada	.
552426	12/1956	Italy	.
91290	3/1958	Norway	.

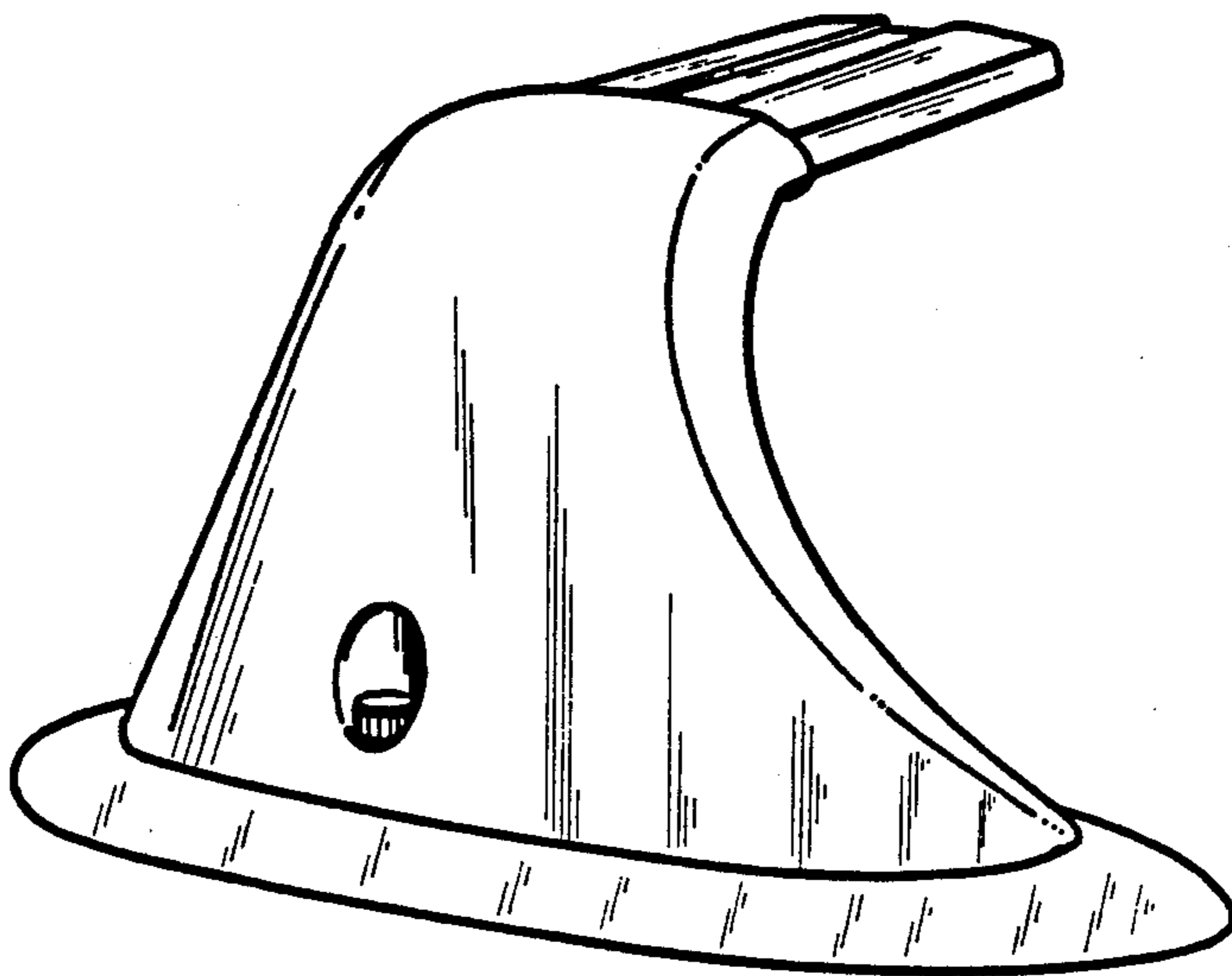
Primary Examiner—James M. Gandy  
Attorney, Agent, or Firm—Saidman, Sterne, Kessler & Goldstein

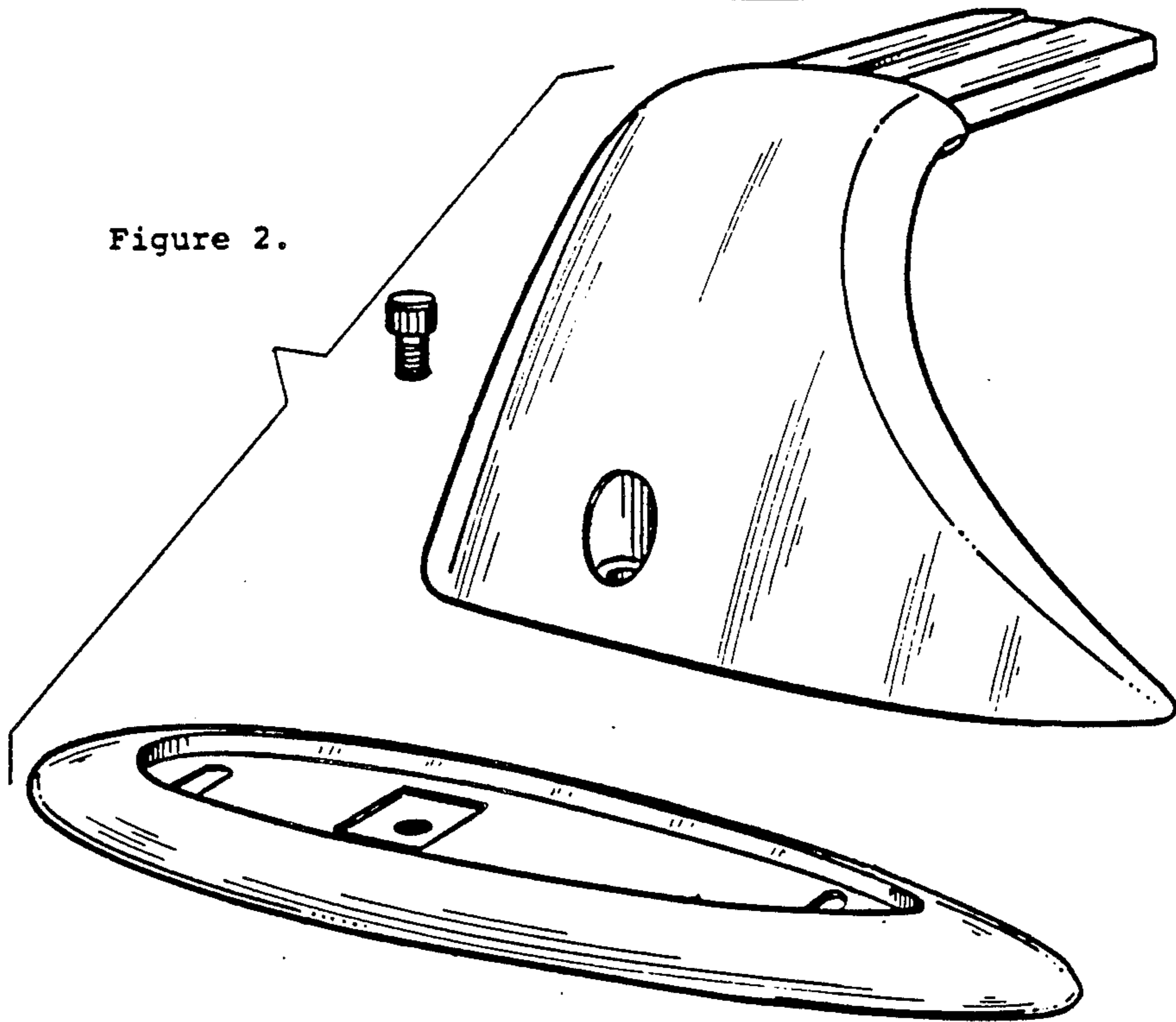
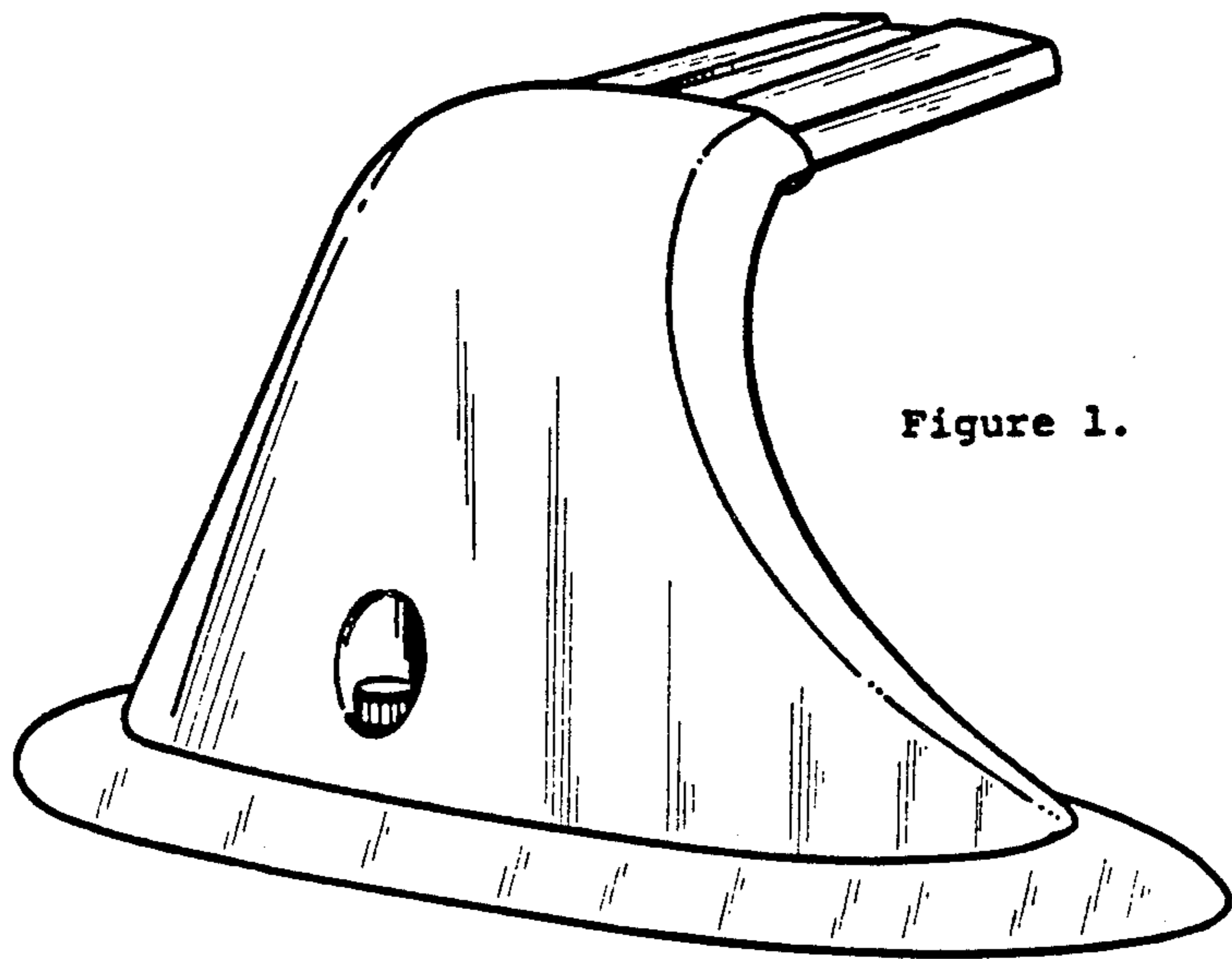
[57] CLAIM

The ornamental design for a vehicle article carrier support bracket, as shown and described.

## DESCRIPTION

FIG. 1 is a perspective view of a vehicle article carrier support bracket showing my new design; FIG. 2 is an exploded perspective view thereof; FIG. 3 is a side elevational view thereof, the opposite side being a mirror image of that shown; FIG. 4 is a top plan view thereof; FIG. 5 is a front elevational view thereof; FIG. 6 is a bottom plan view thereof; FIG. 7 is a rear elevational view thereof; and FIG. 8 is a sectional view thereof taken along line 8—8 in FIG. 4.





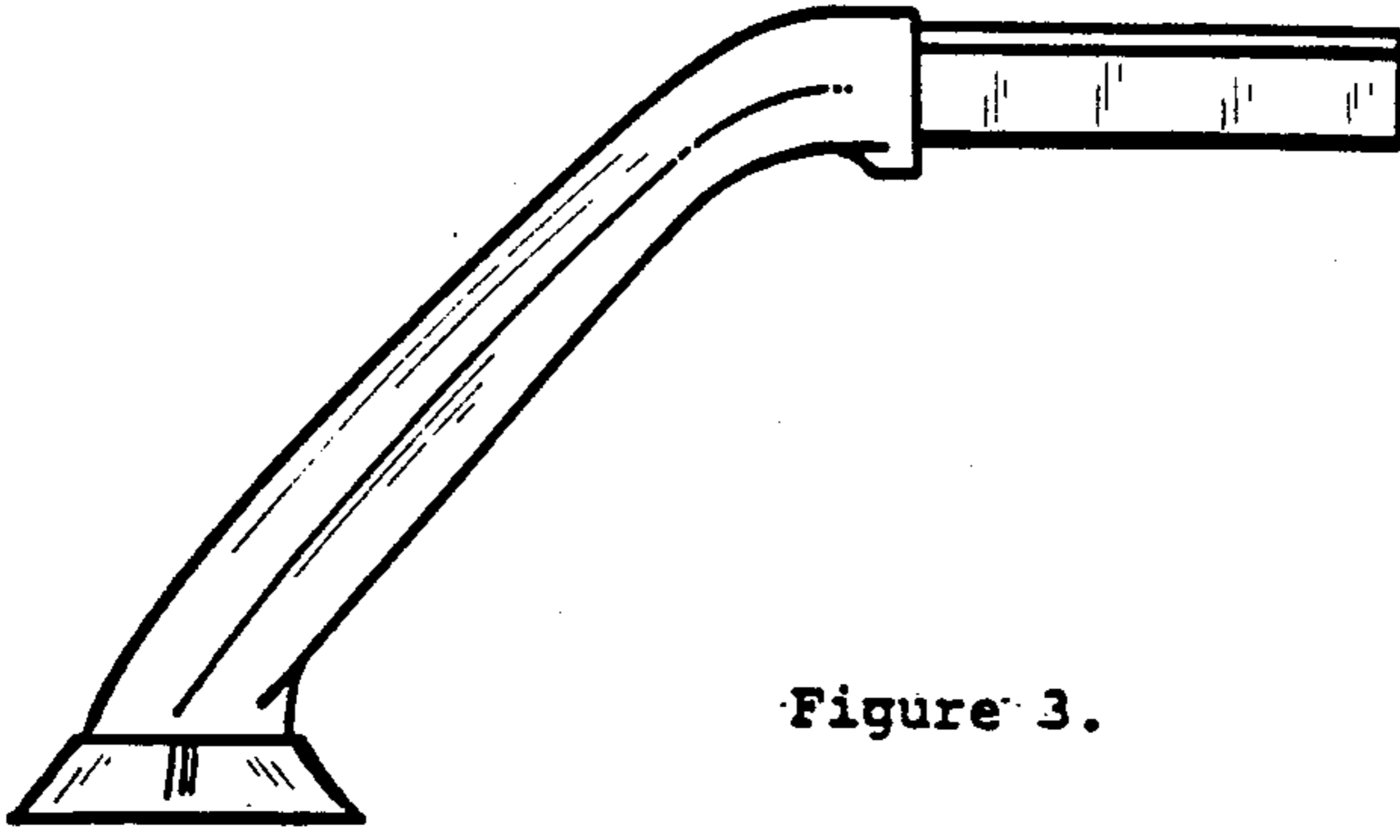


Figure 3.

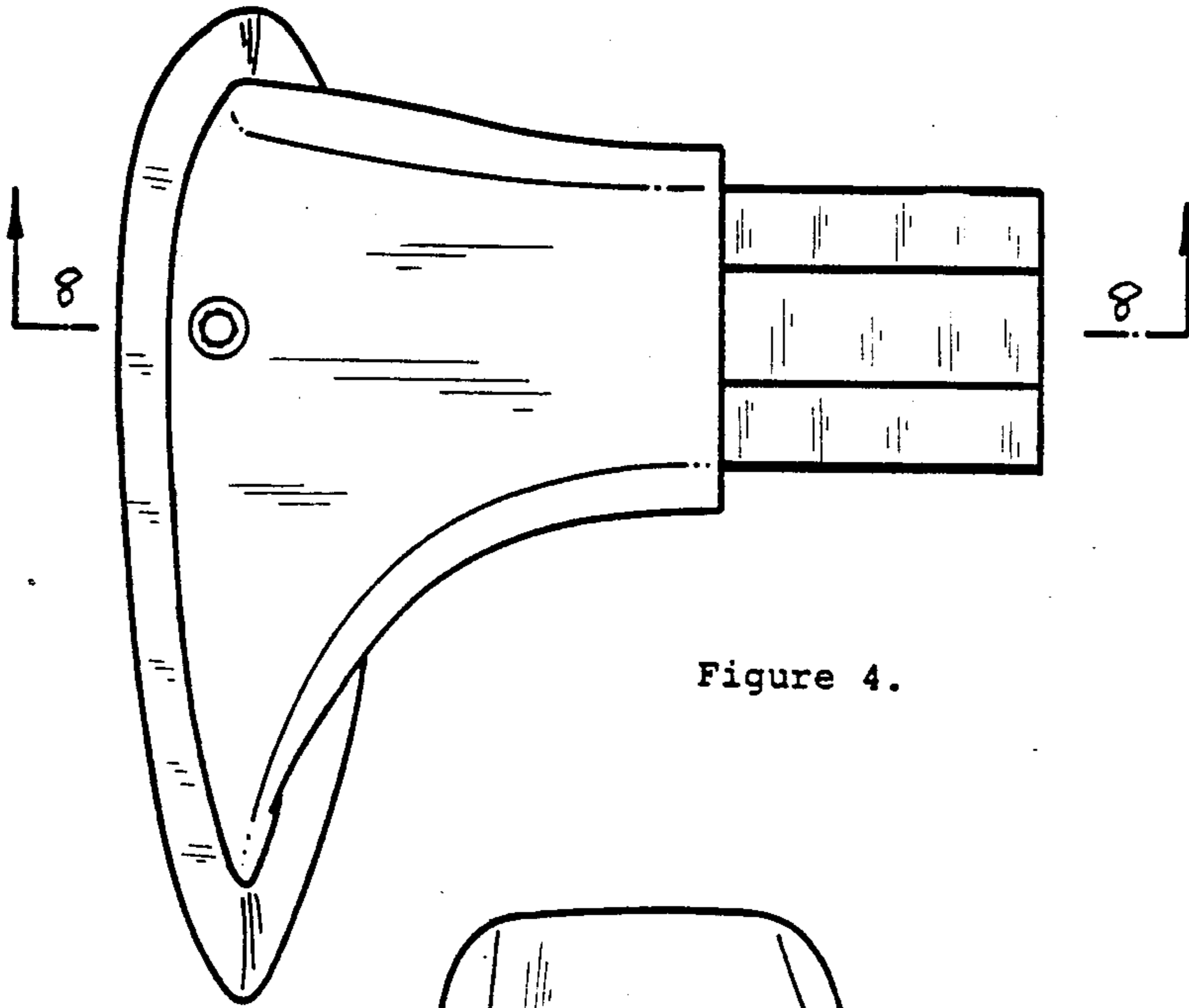


Figure 4.

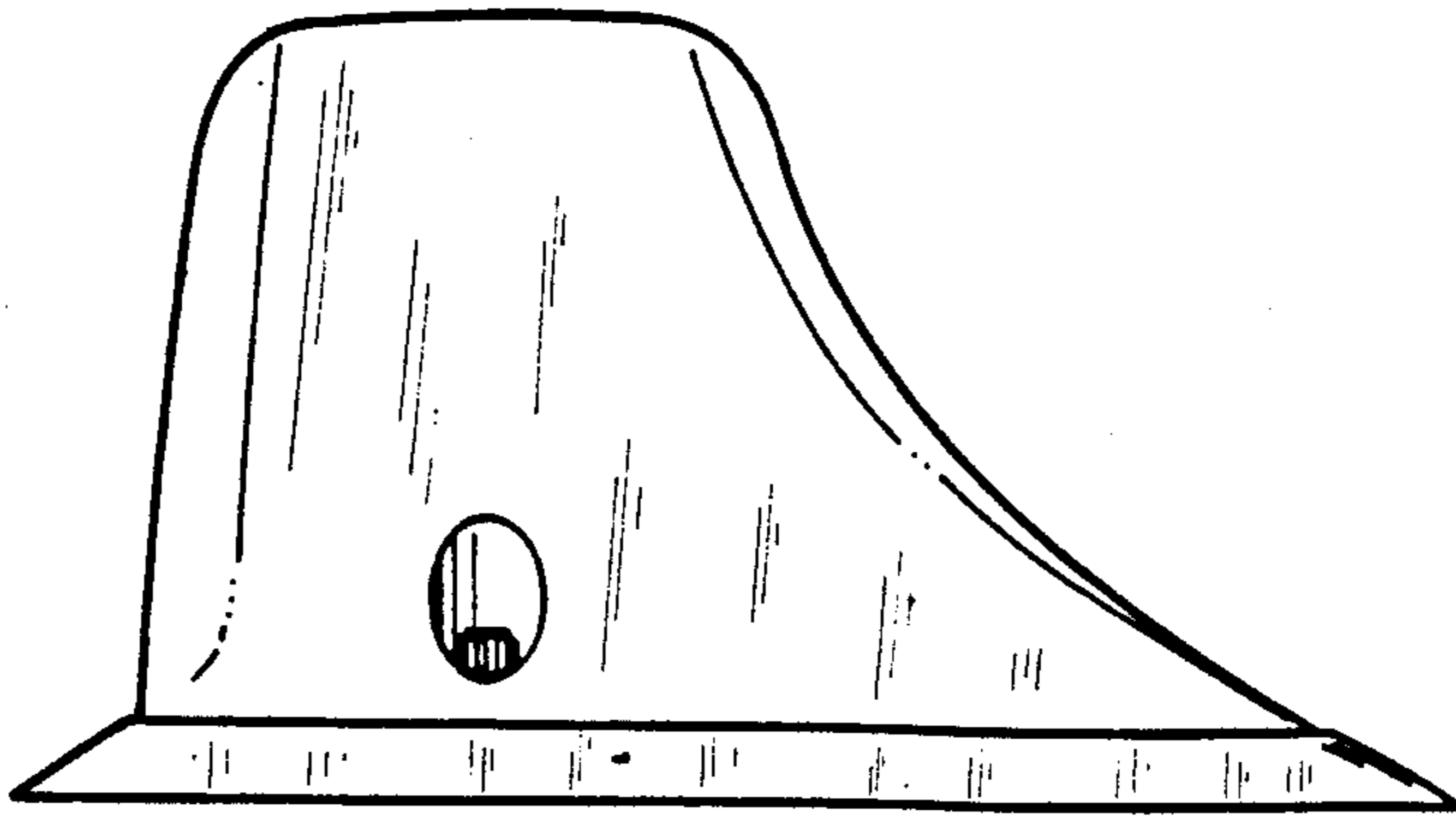


Figure 5.

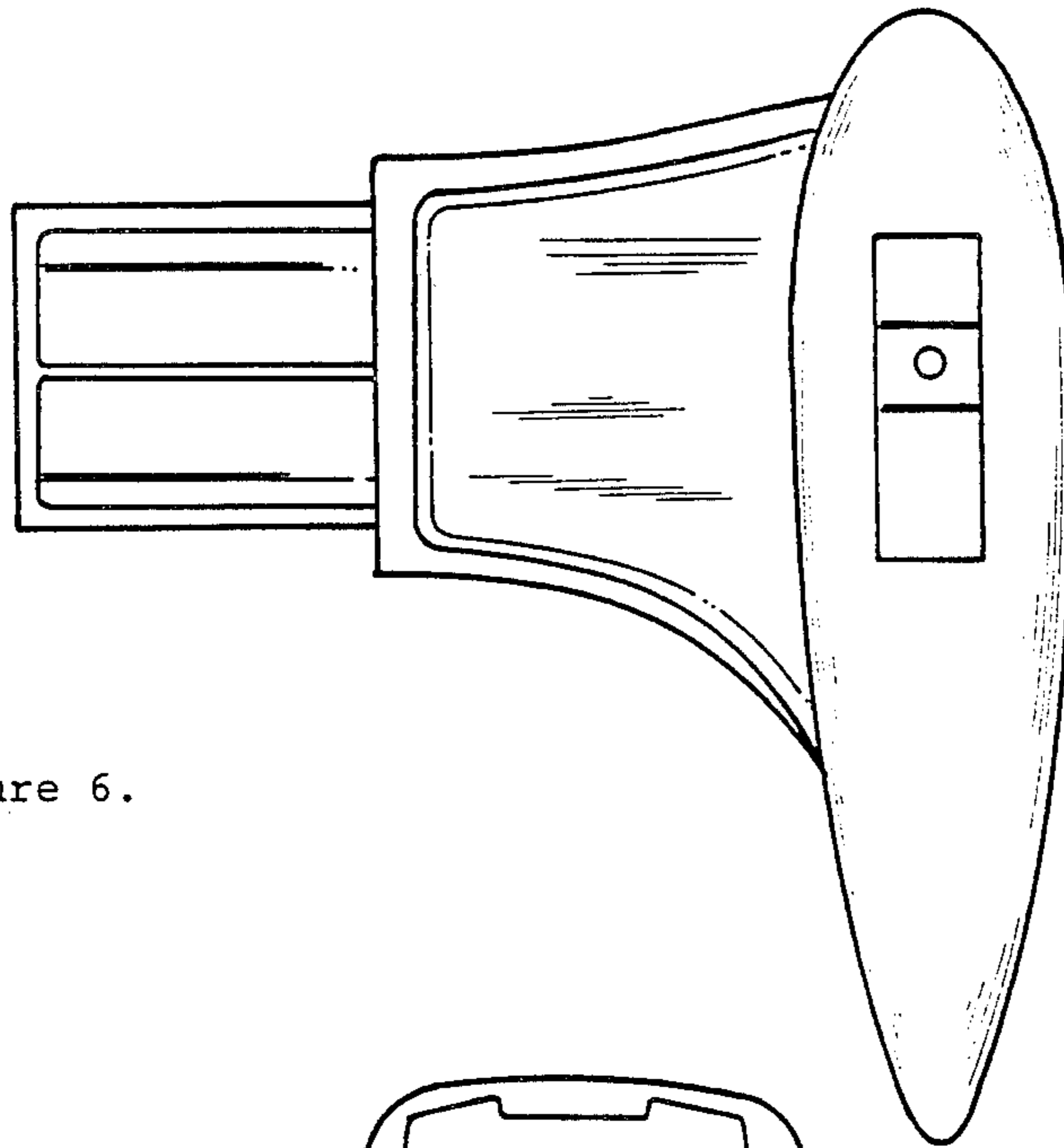


Figure 6.

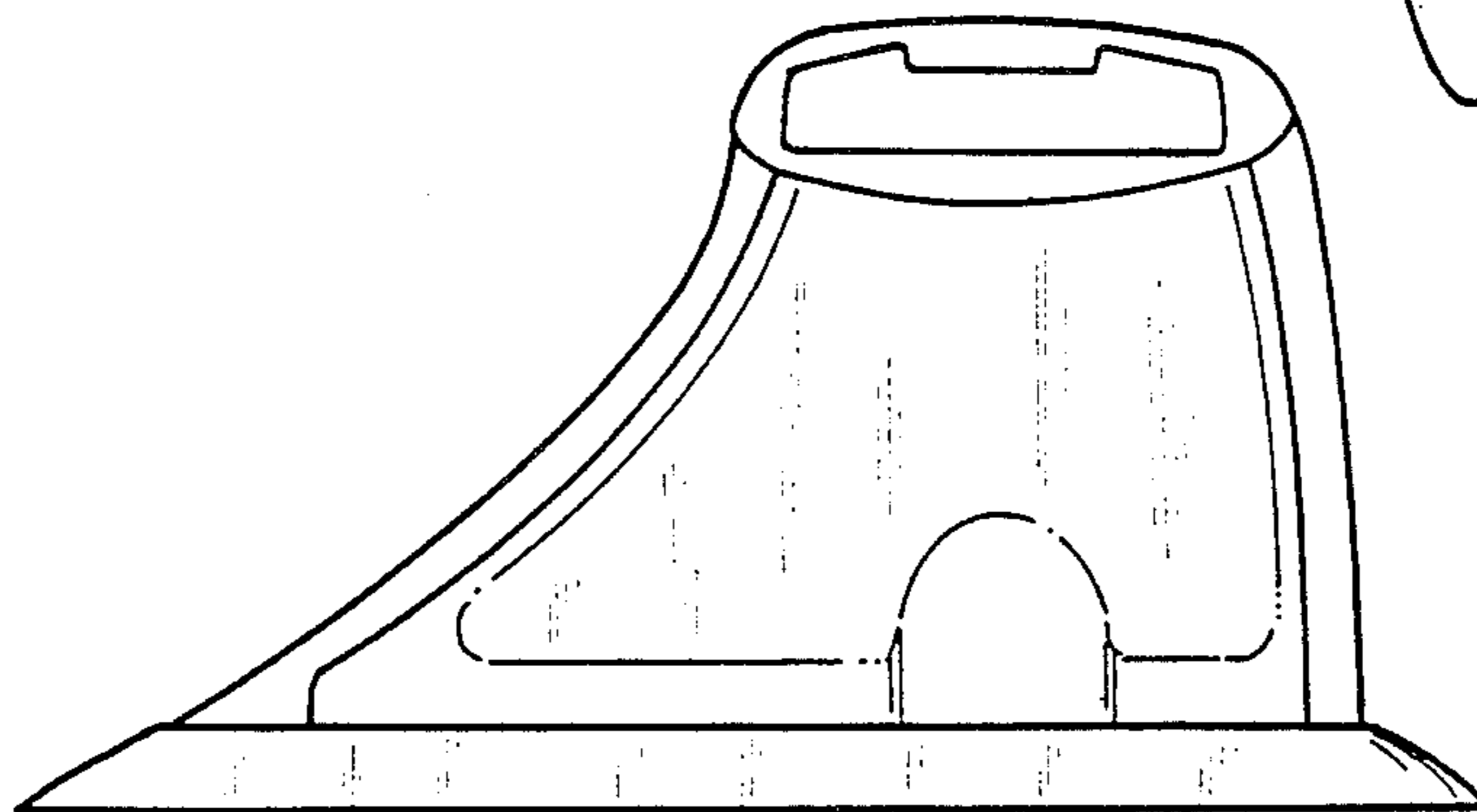


Figure 7.

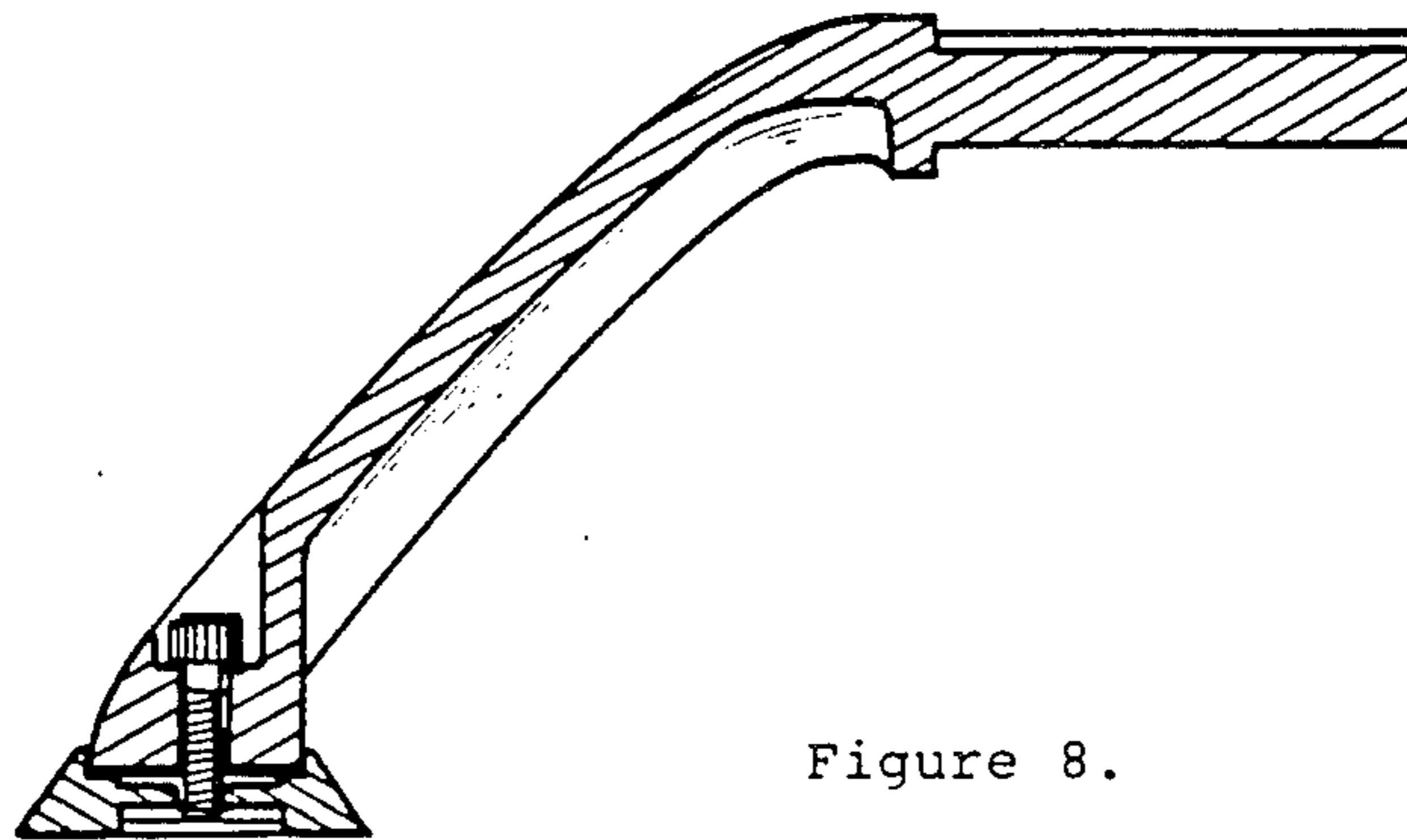


Figure 8.