

[54] DUAL-CHAMBERED OIL CHANGING CONTAINER

[76] Inventor: Robert W. Harrison, 3475 Joan Drive, Mississauga, Ontario, Canada, L5B 1T7

[**] Term: 14 Years

[21] Appl. No.: 751,676

[22] Filed: Jul. 3, 1985

[52] U.S. Cl. D9/337; D9/375; D9/378

[58] Field of Search 184/106; D9/337, 378, D9/373, 374; 220/1 R

[56] References Cited

U.S. PATENT DOCUMENTS

- D. 220,470 4/1971 Lewis D9/337
- D. 264,180 5/1982 Bartz D9/337
- 1,568,830 1/1926 Gunderson .

- 1,951,498 3/1934 Whitney .
- 4,098,398 7/1978 Meyers .
- 4,296,838 10/1981 Cohen .
- 4,403,692 9/1983 Pollacco .

Primary Examiner—Robert C. Spangler
Attorney, Agent, or Firm—Harness, Dickey & Pierce

[57] CLAIM

The ornamental design for a dual-chambered oil changing container, as shown and described.

DESCRIPTION

FIG. 1 is a side and top perspective view of a dual-chambered oil changing container showing my new design;

FIG. 2 is a top plan view thereof;

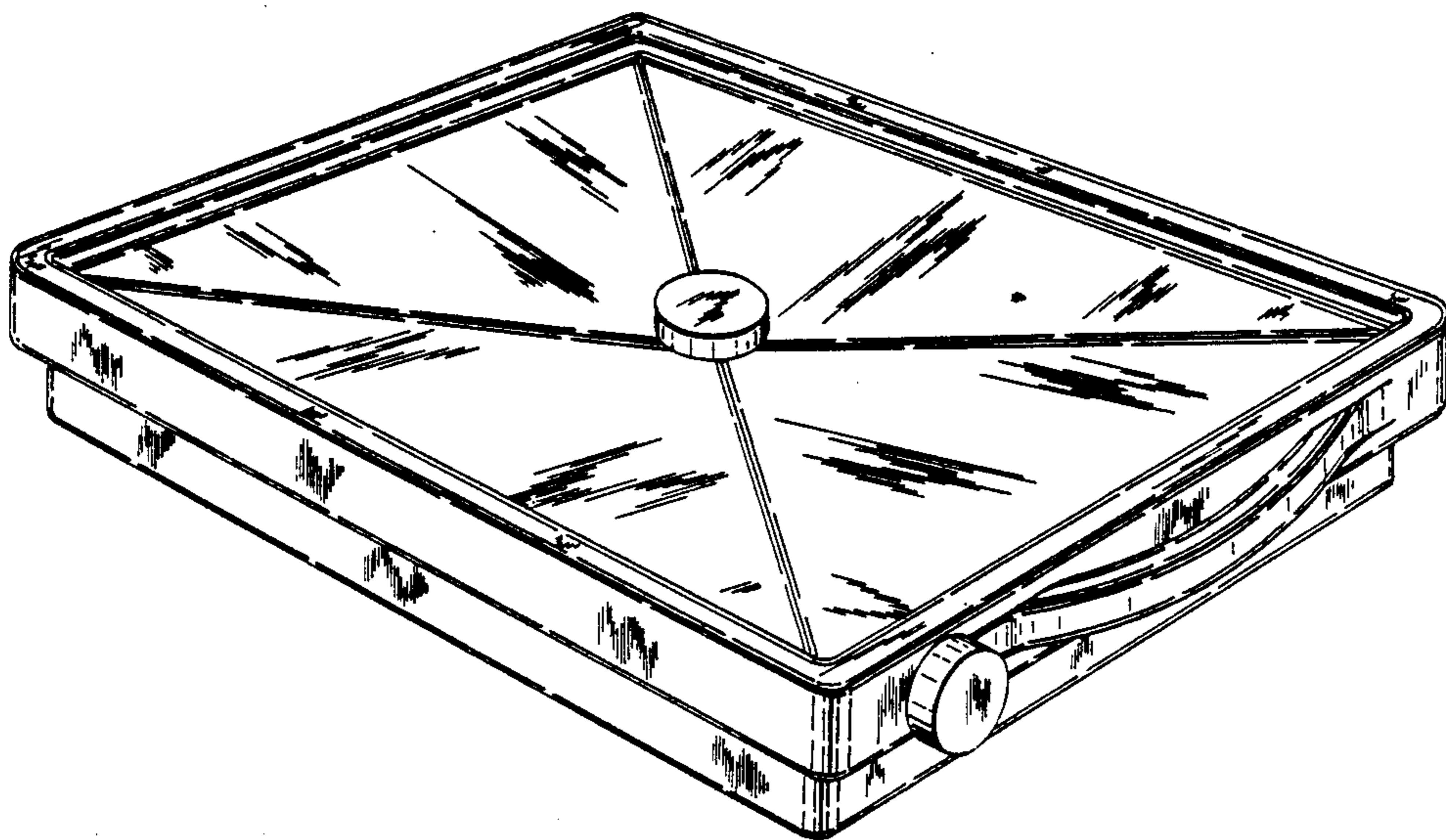
FIG. 3 is a left side elevation view thereof;

FIG. 4 is a front elevation view thereof;

FIG. 5 is a right side elevation view thereof;

FIG. 6 is a rear elevation view thereof; and

FIG. 7 is a bottom plan view thereof.



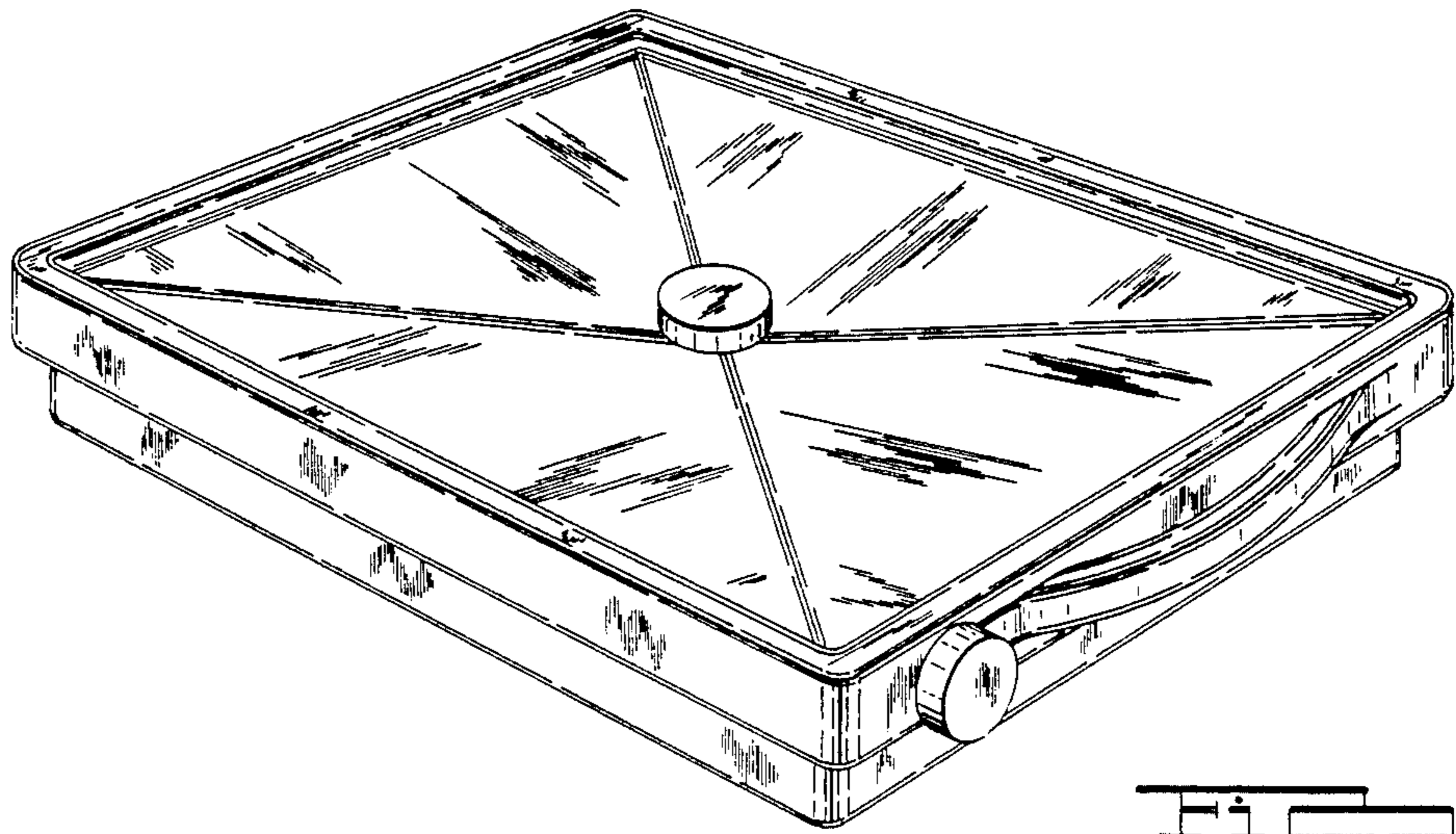


FIG. 1.

FIG. 2.

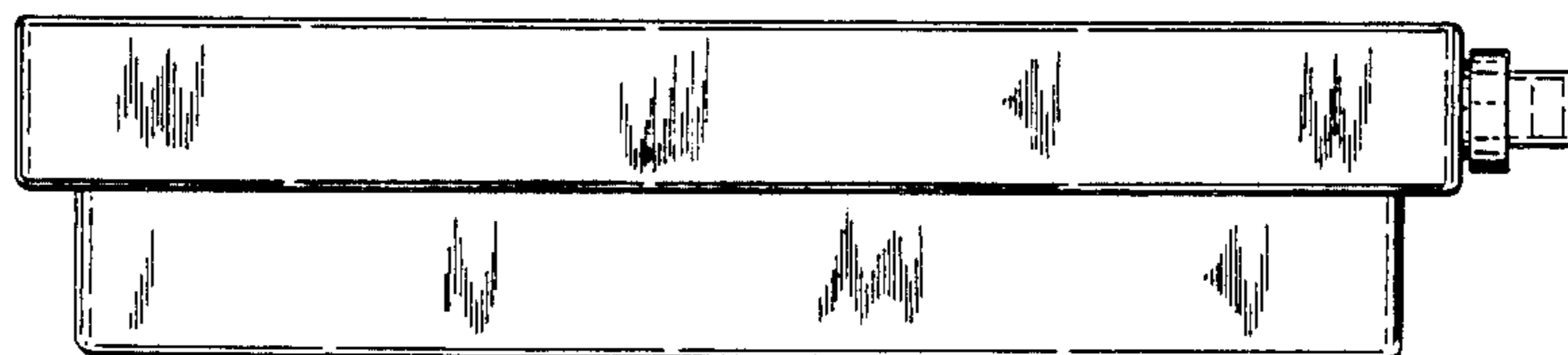
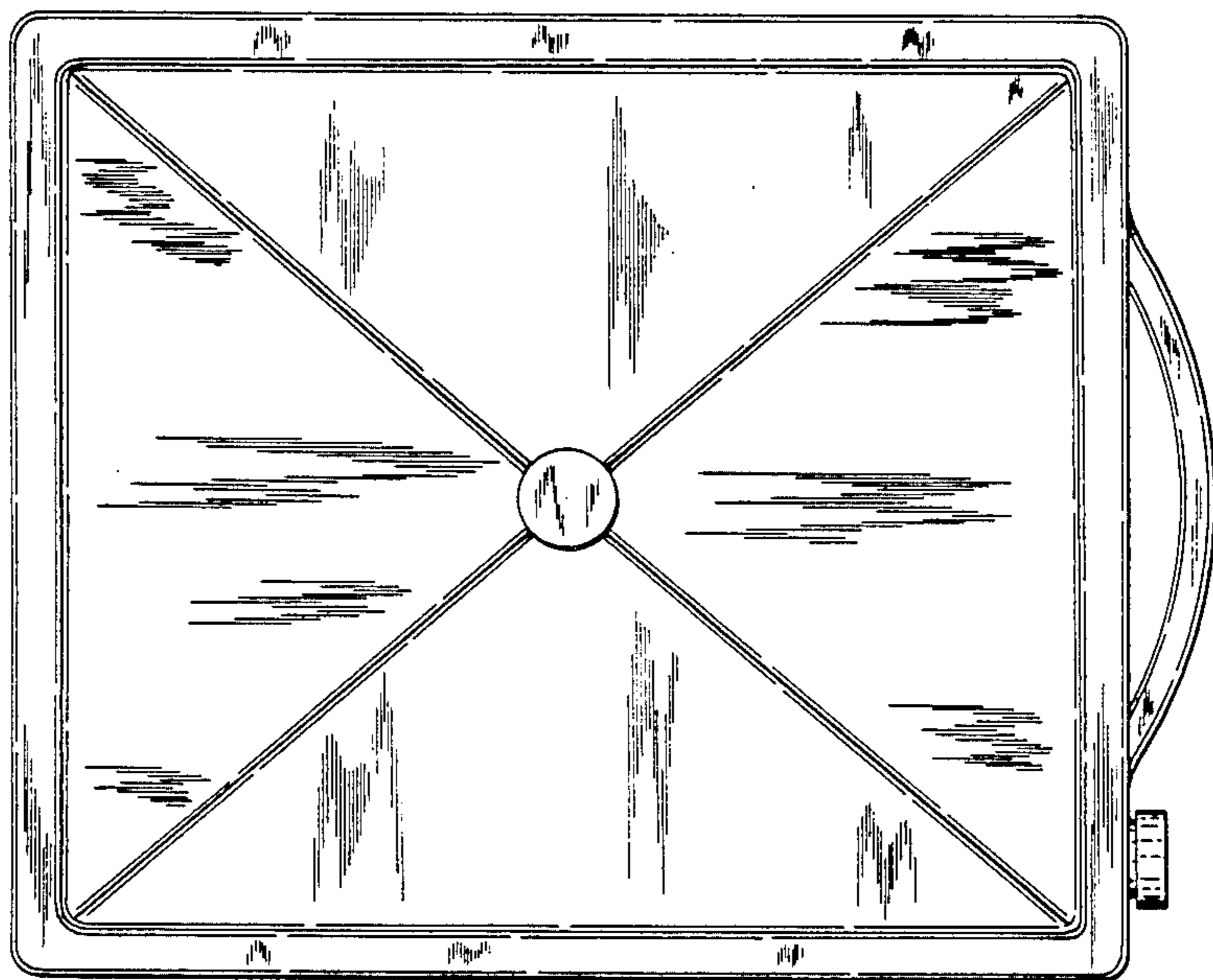


FIG. 3.

