

[54] HANDLED CLAMP FOR GROUND GLASS BALL AND SOCKET JOINTS OR THE LIKE

[76] Inventor: Hermann Keck, Blauenstrasse 13, CH-4106 Therwil/B1, Switzerland

[**] Term: 14 Years

[21] Appl. No.: 689,286

[22] Filed: Jan. 7, 1985

[52] U.S. Cl. D8/395; D8/396

[58] Field of Search D8/300, 306, 396, 395; 248/68.1; 403/286, 341, 405.1, 397; 24/562, 564, 565, 259 R

[56] References Cited

U.S. PATENT DOCUMENTS

D. 227,742	7/1973	Logsdon	D8/396
D. 232,912	9/1974	Hagelberg	D8/396
1,164,373	12/1915	McGahey	24/565
2,453,669	11/1948	Meneses	.	
3,274,658	9/1966	Pile	24/565
4,077,092	3/1978	Basevi	24/564
4,192,315	3/1980	Hilzinger et al.	24/565
4,442,572	4/1984	Keck	24/562

FOREIGN PATENT DOCUMENTS

1581182 9/1969 France .

Primary Examiner—B. J. Bullock
Attorney, Agent, or Firm—Sixbey, Friedman & Leedom

[57] CLAIM

The ornamental design for a handled clamp for ground glass ball and socket joints or the like, as shown and described.

DESCRIPTION

FIG. 1 is a bottom, side perspective view of a handled clamp for ground glass ball and socket joints or the like, showing my new design;
FIG. 2 is a front elevational view thereof, the rear being identical;
FIG. 3 is a side elevational view thereof, both sides being identical;
FIG. 4 is a top, side perspective view thereof, the portion of the ball and socket joint being shown in broken lines for illustrative purposes only;
FIG. 5 is a top plan view thereof;
FIG. 6 is a bottom plan view thereof.

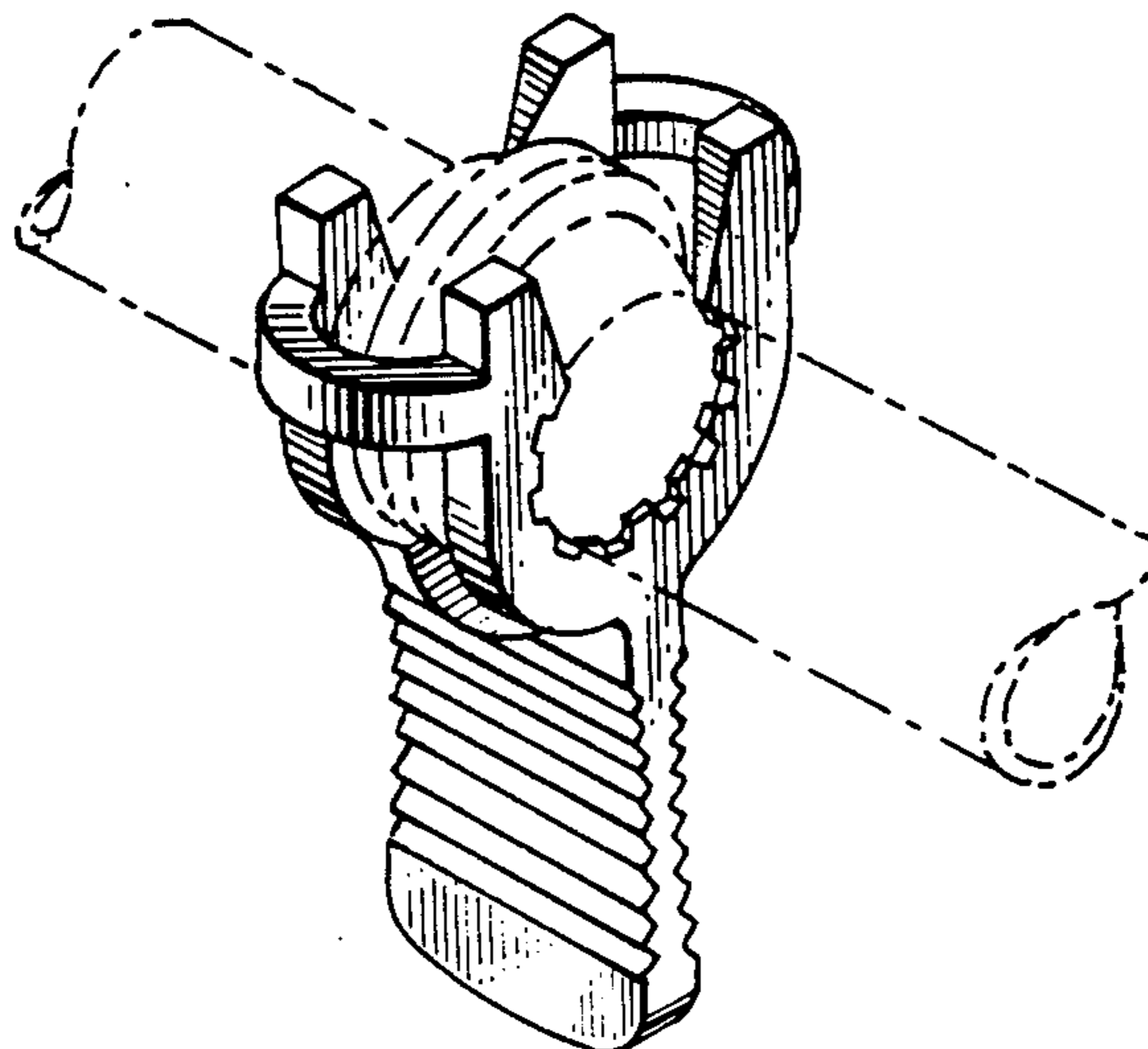
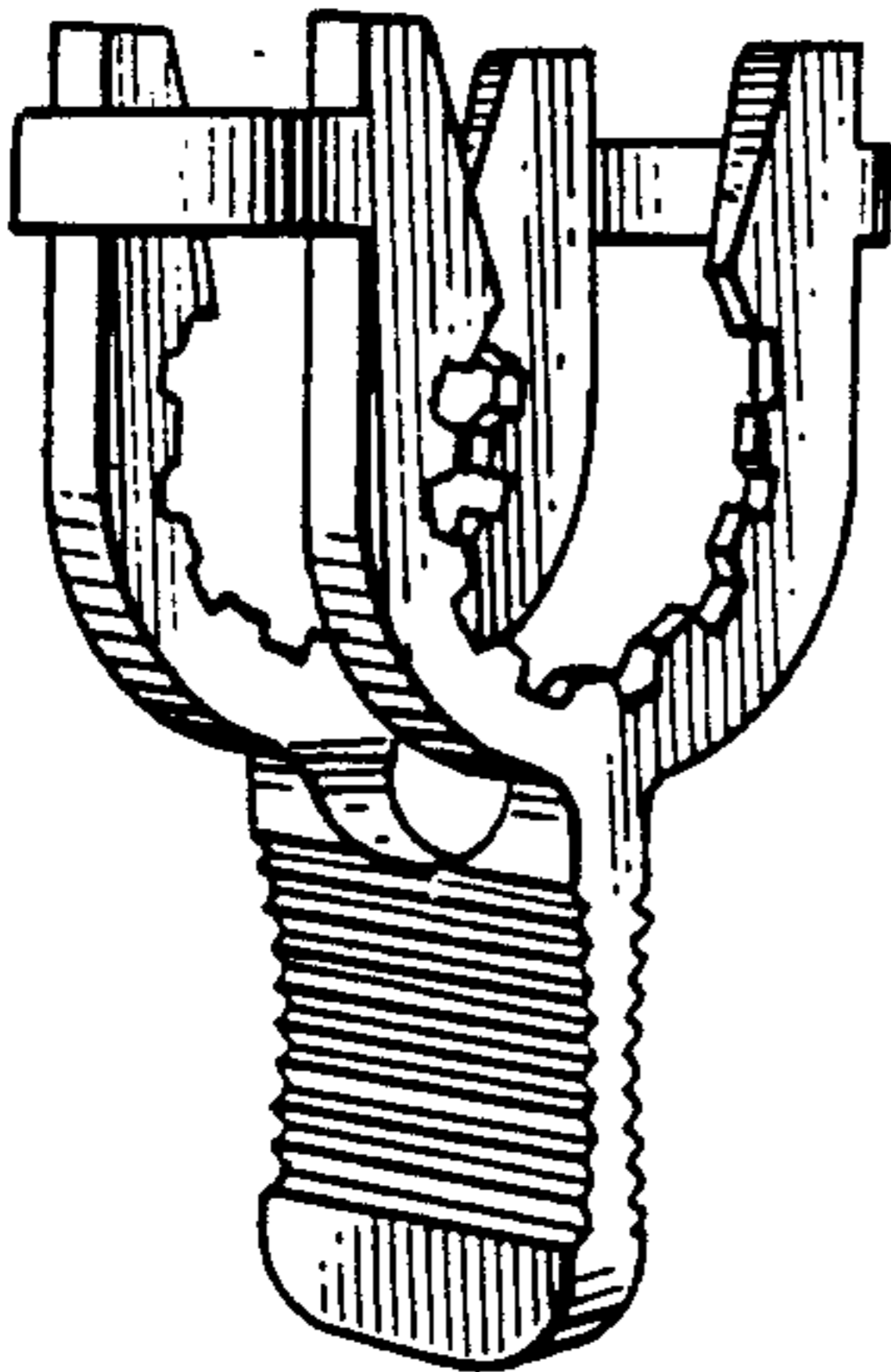


FIG. 1.

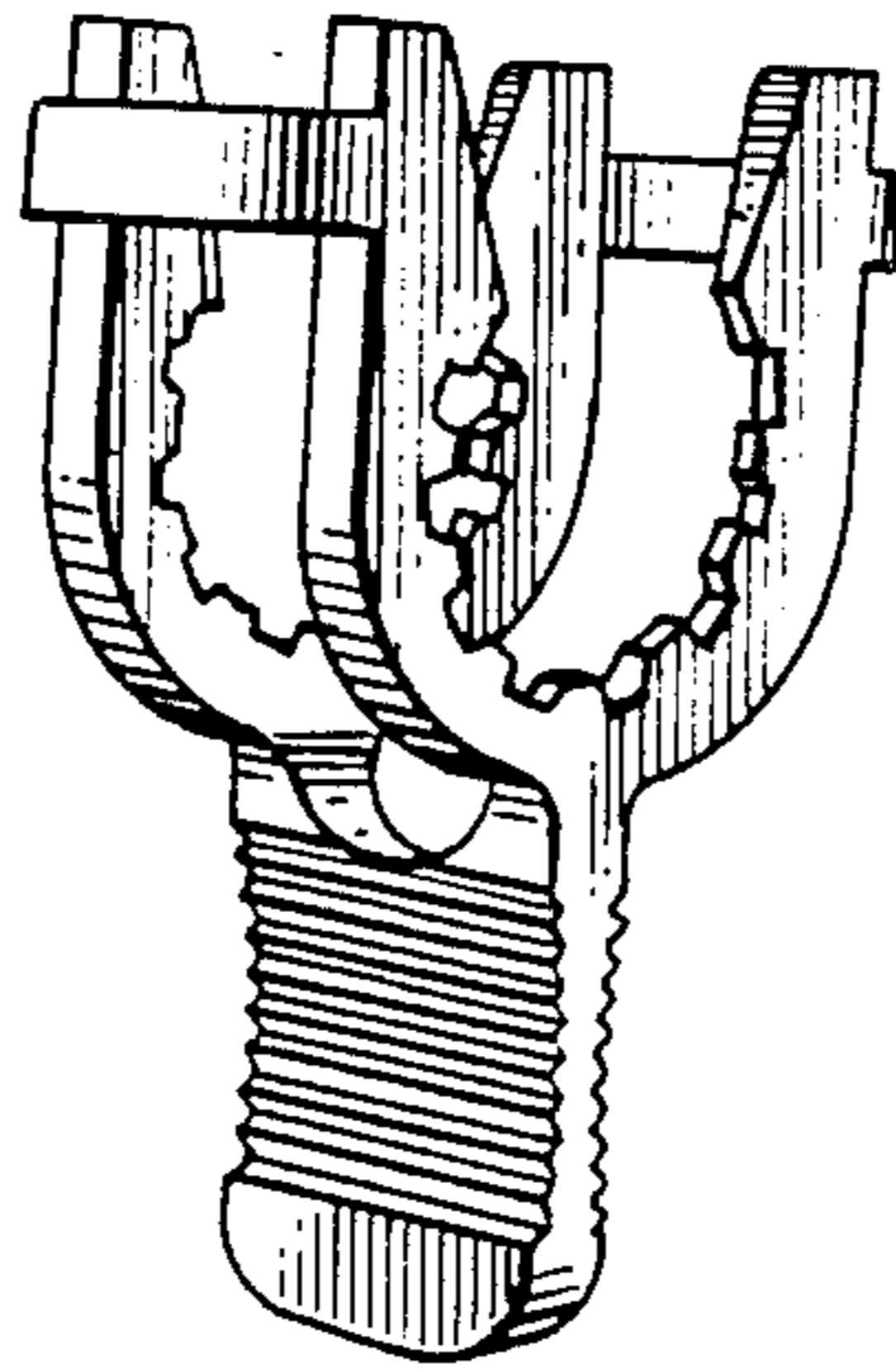


FIG. 2.

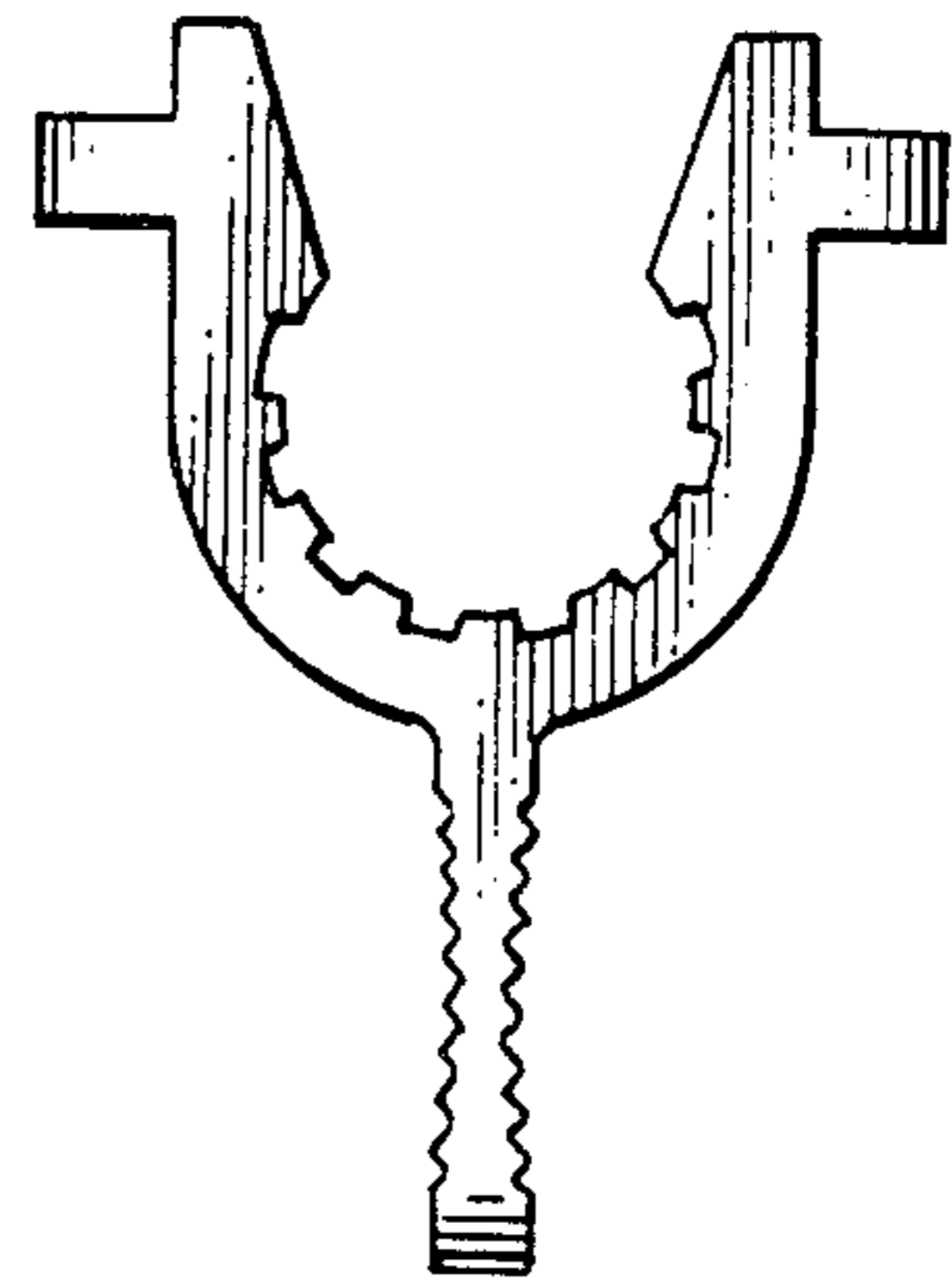


FIG. 3.

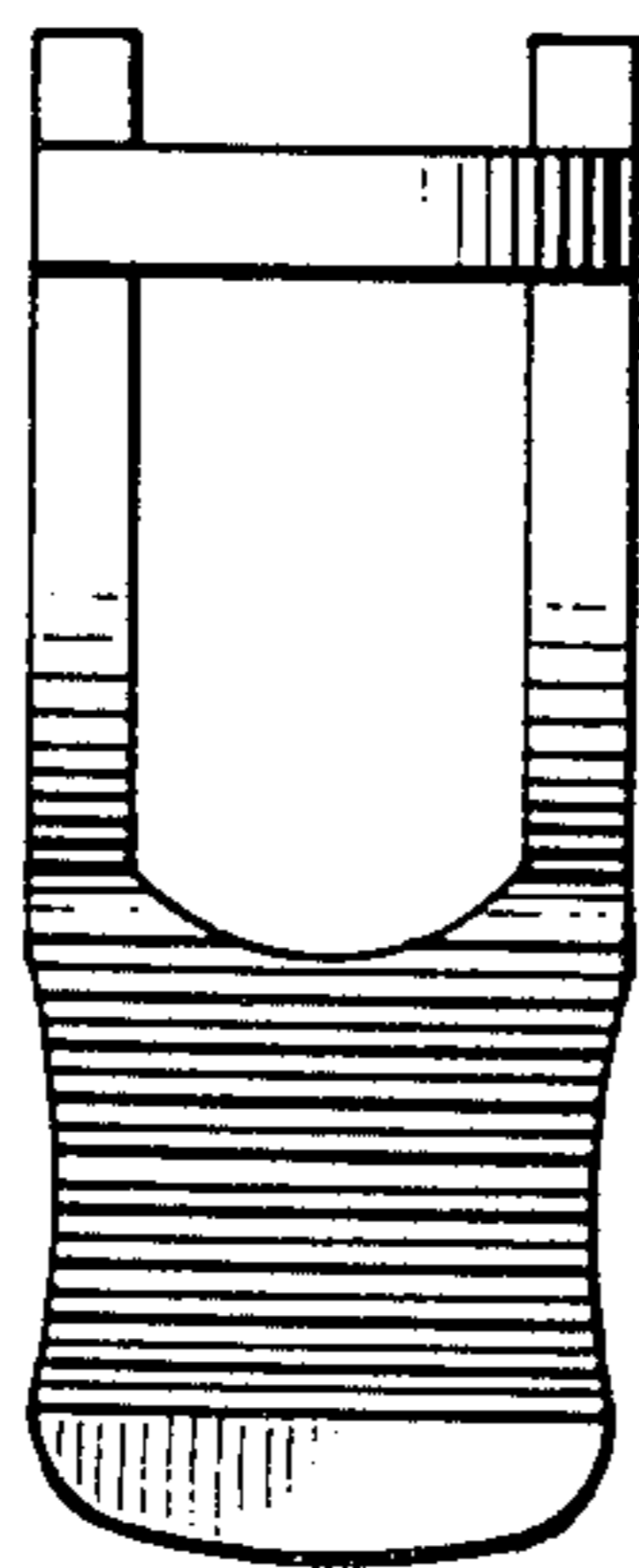


FIG. 4.

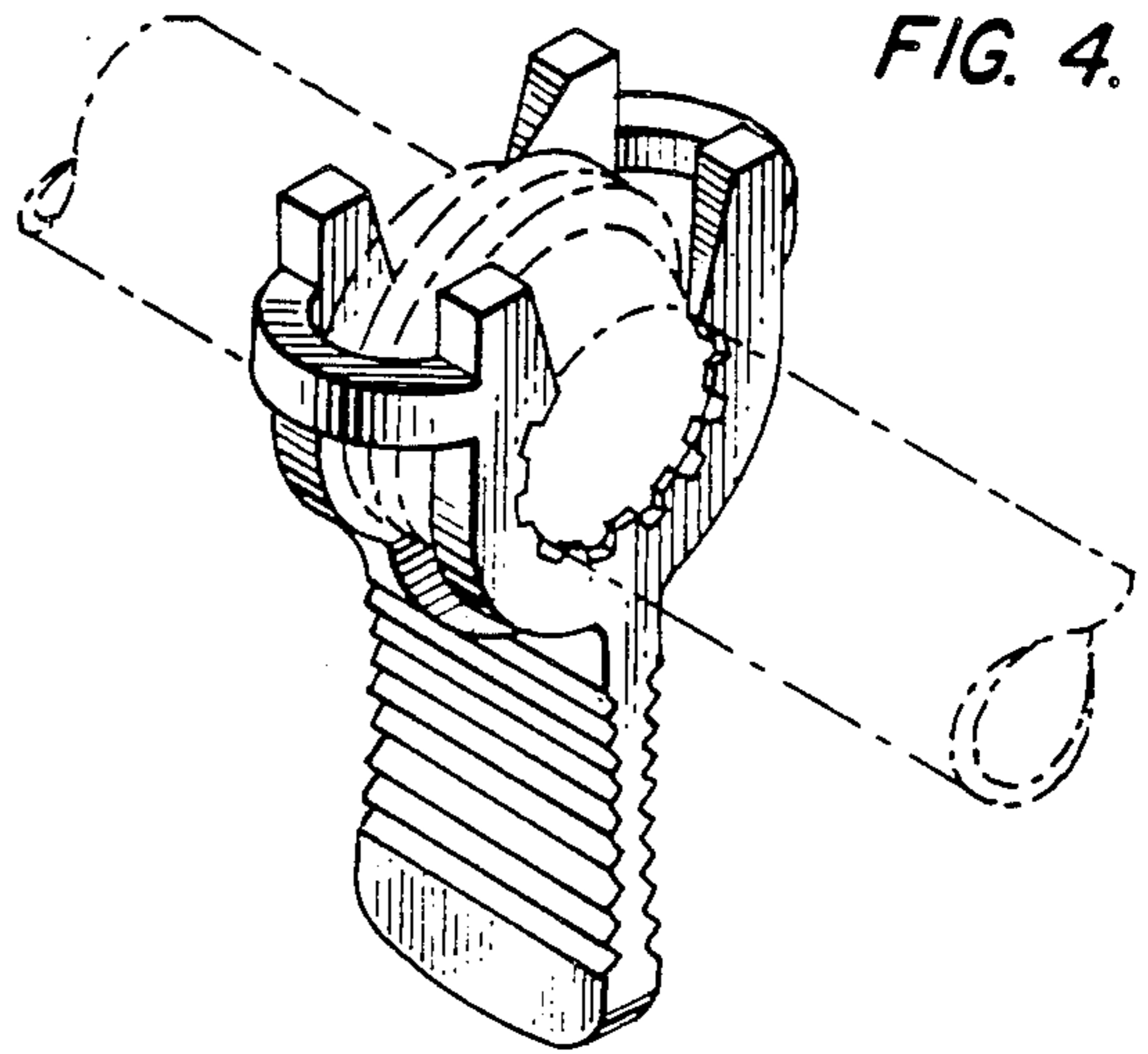


FIG. 5.

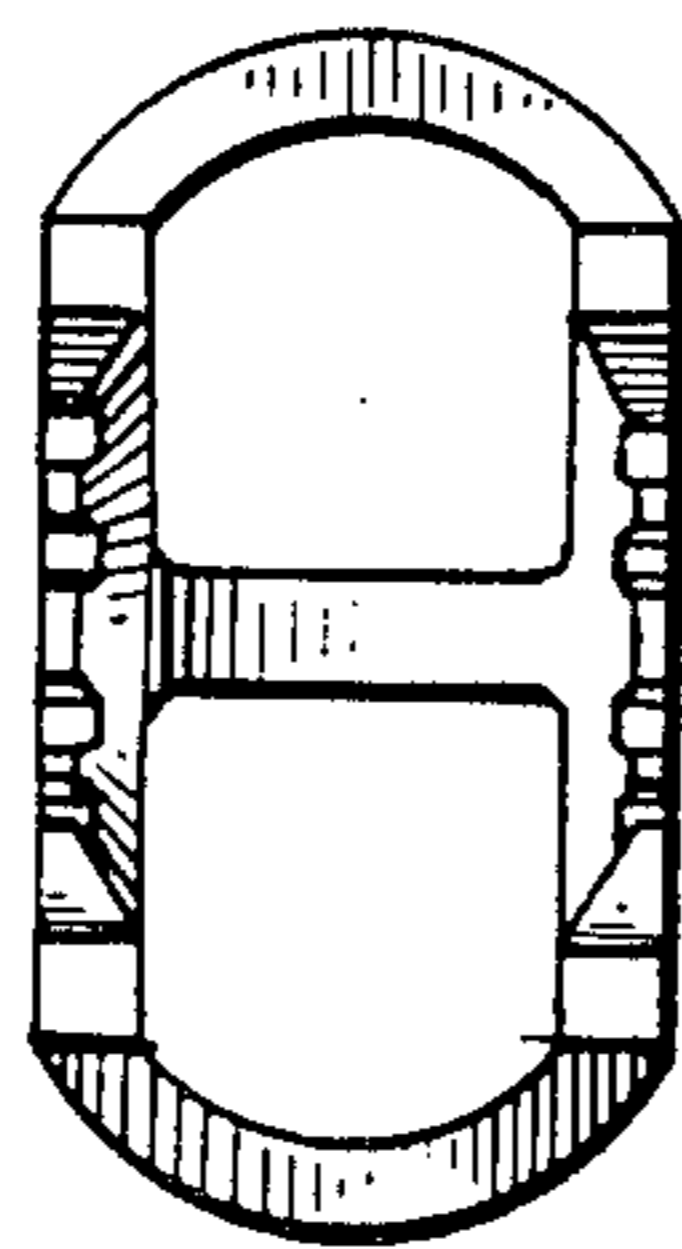


FIG. 6.

