

[54] LIQUOR MAKER

[75] Inventor: Susumu Uesaka, Tokyo, Japan

[73] Assignee: Nippon Light Metal Company Limited, Tokyo, Japan

[**] Term: 14 Years

[21] Appl. No.: 741,343

[22] Filed: Jun. 5, 1985

[30] Foreign Application Priority Data

Jan. 23, 1985 [JP] Japan 60-1730

[52] U.S. Cl. D7/378; D7/368;
D7/376

[58] Field of Search D7/378, 376, 384, 49,
D7/377, 368, 369, 300

[56] References Cited

U.S. PATENT DOCUMENTS

D. 251,407 3/1979 Tsuji D7/384
D. 282,620 2/1986 Cavalli D7/384
D. 287,327 12/1986 Cavalli D7/384

Primary Examiner—Winifred E. Herrmann
Attorney, Agent, or Firm—William J. Daniel

[57] CLAIM

The ornamental design for the liquor maker, as shown and described.

DESCRIPTION

FIG. 1 is a front elevational view of a liquor maker, showing my new design;

FIG. 2 is a top plan view thereof.

FIG. 3 is a rear elevational view thereof.

FIG. 4 is a bottom plan view thereof.

FIG. 5 is a left side elevational view thereof.

FIG. 6 is a right side elevational view thereof.

FIG. 7 is a top, front and right side perspective view thereof.

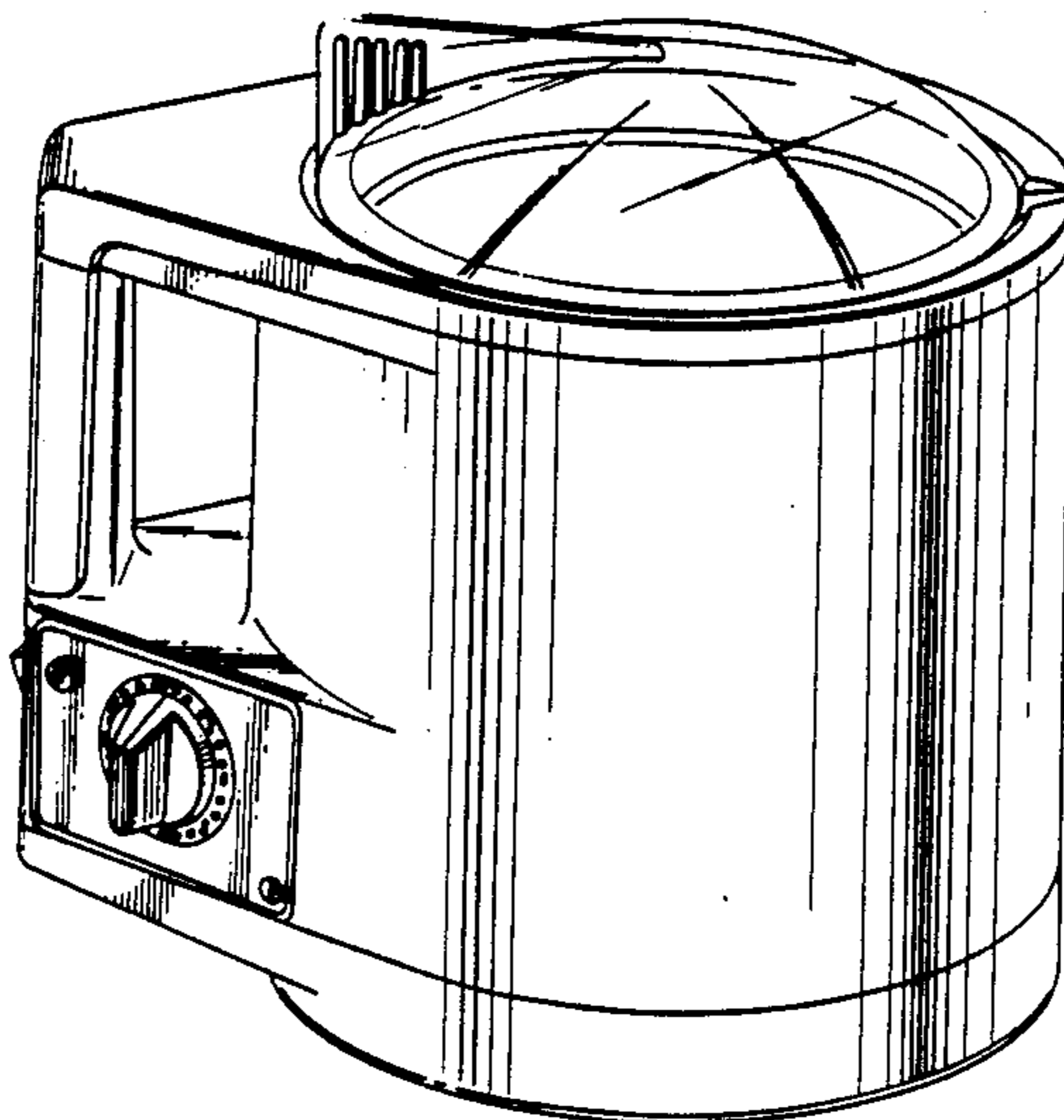
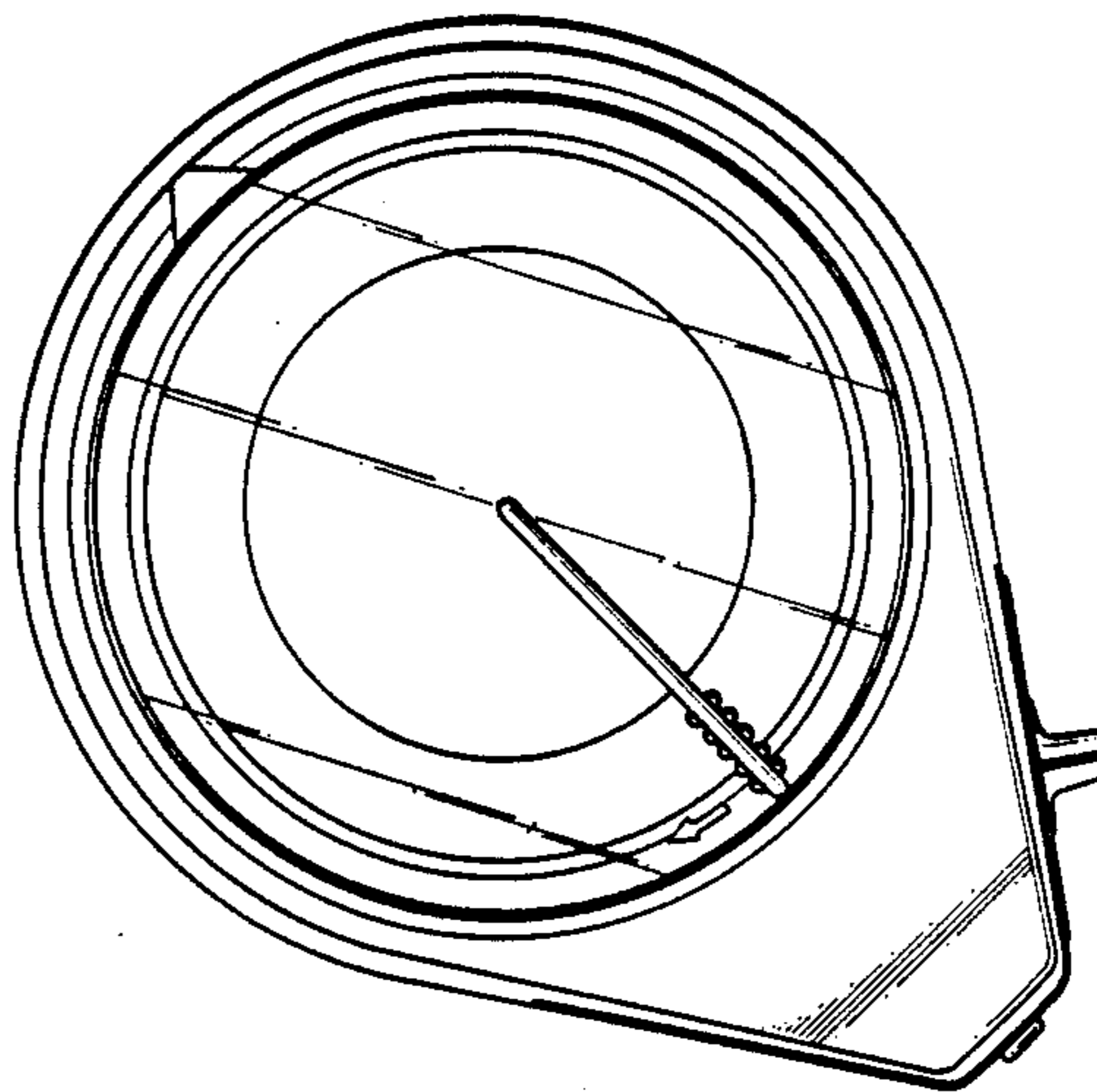
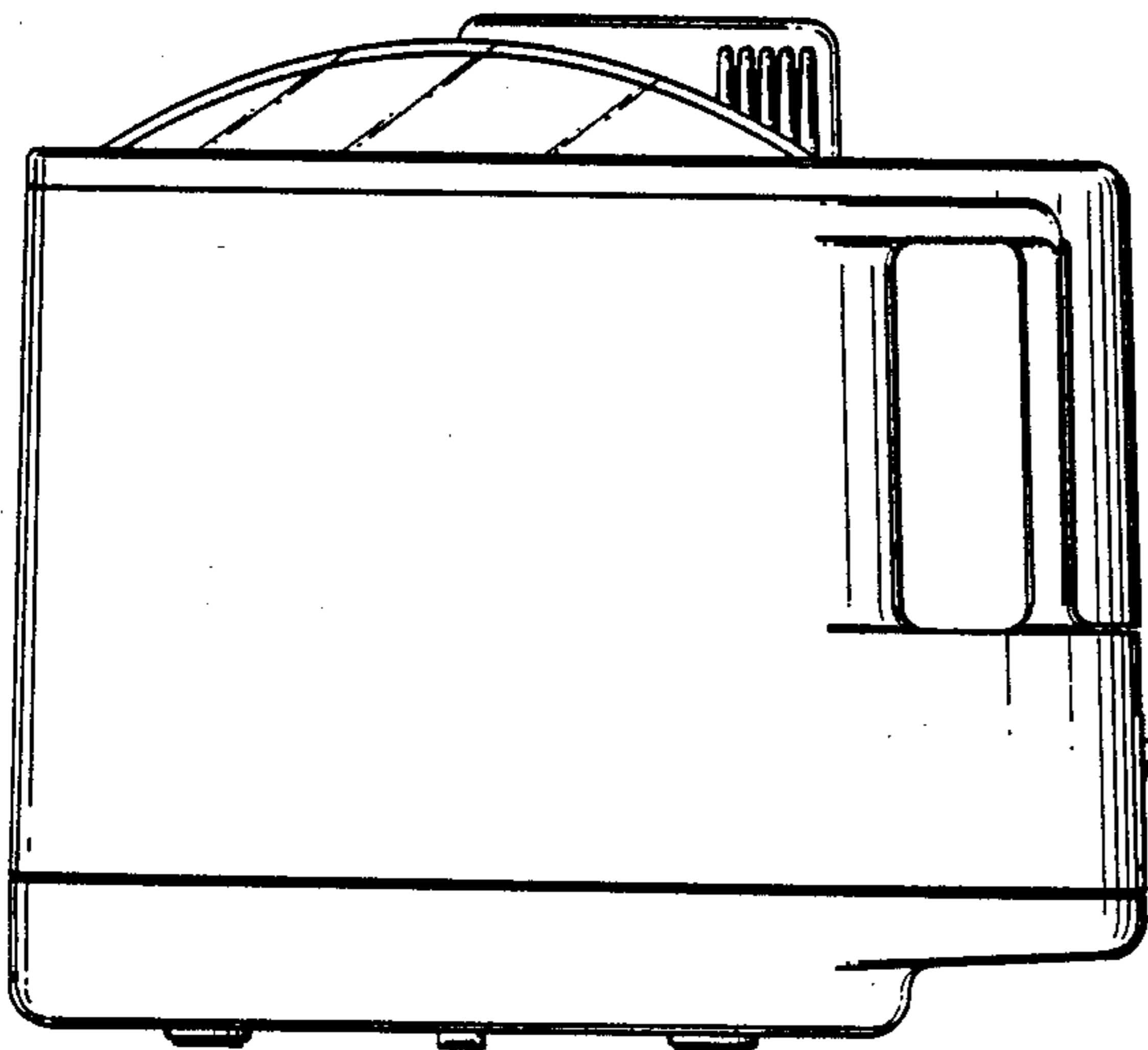


FIG. 1

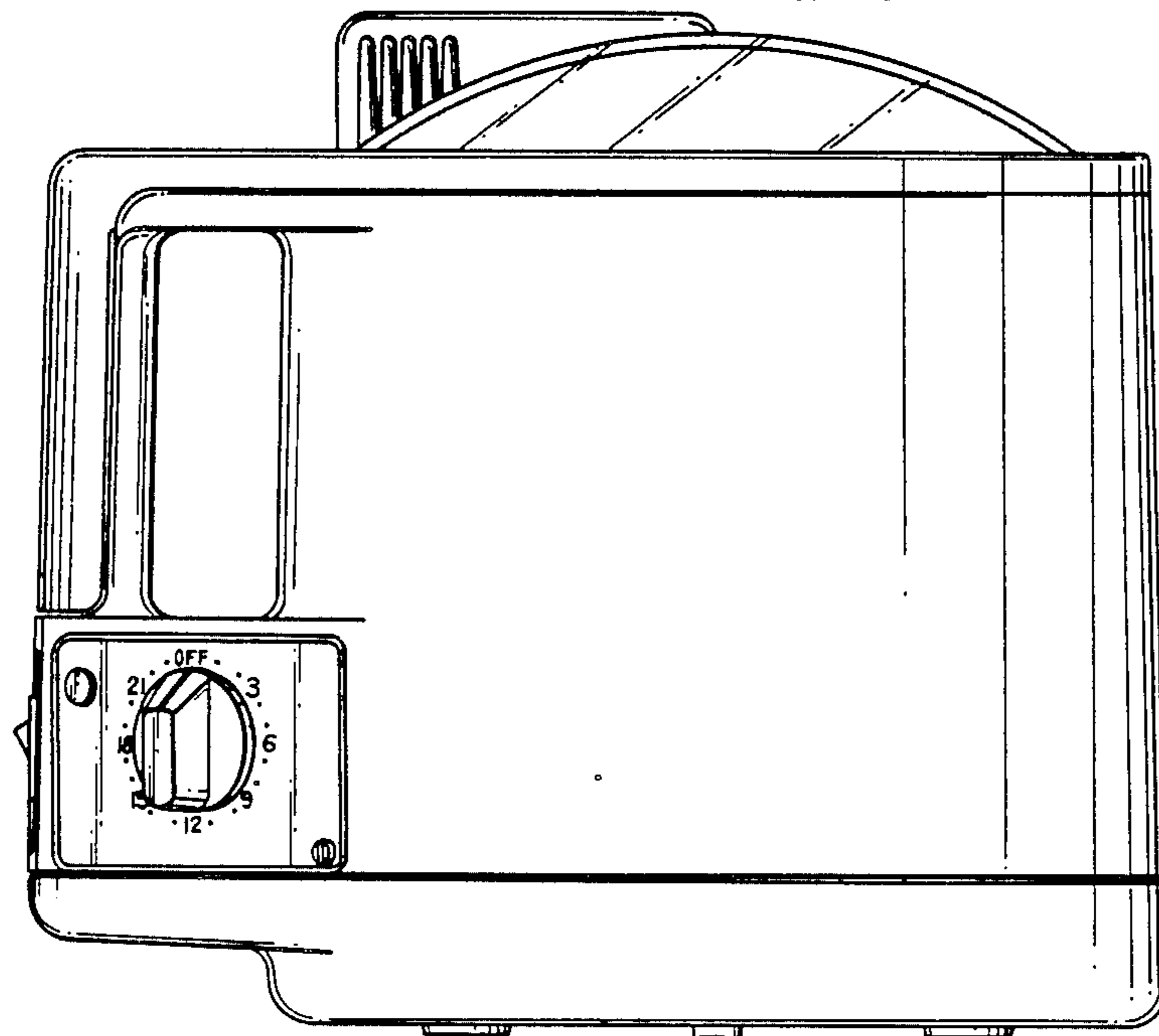


FIG. 2

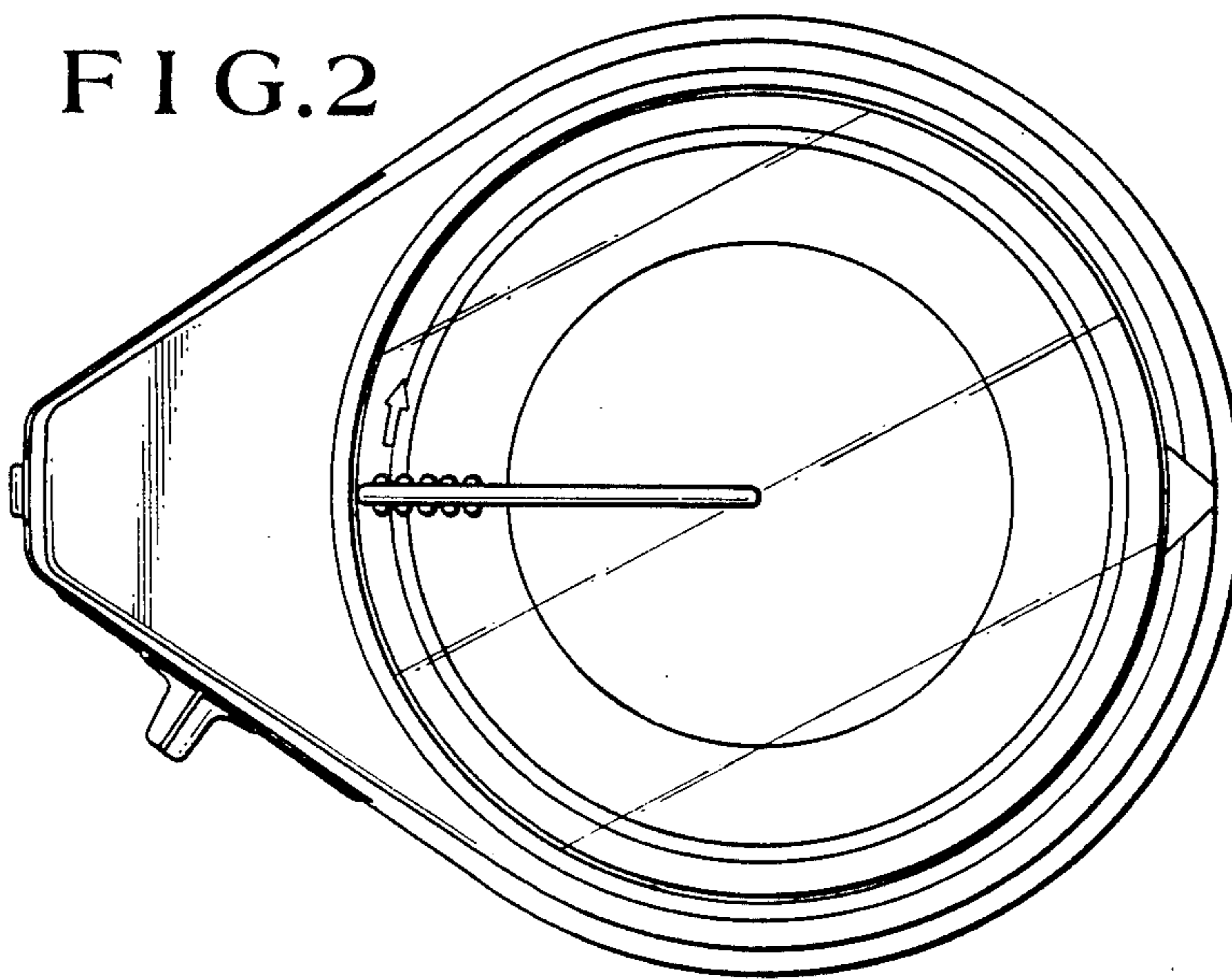


FIG.3

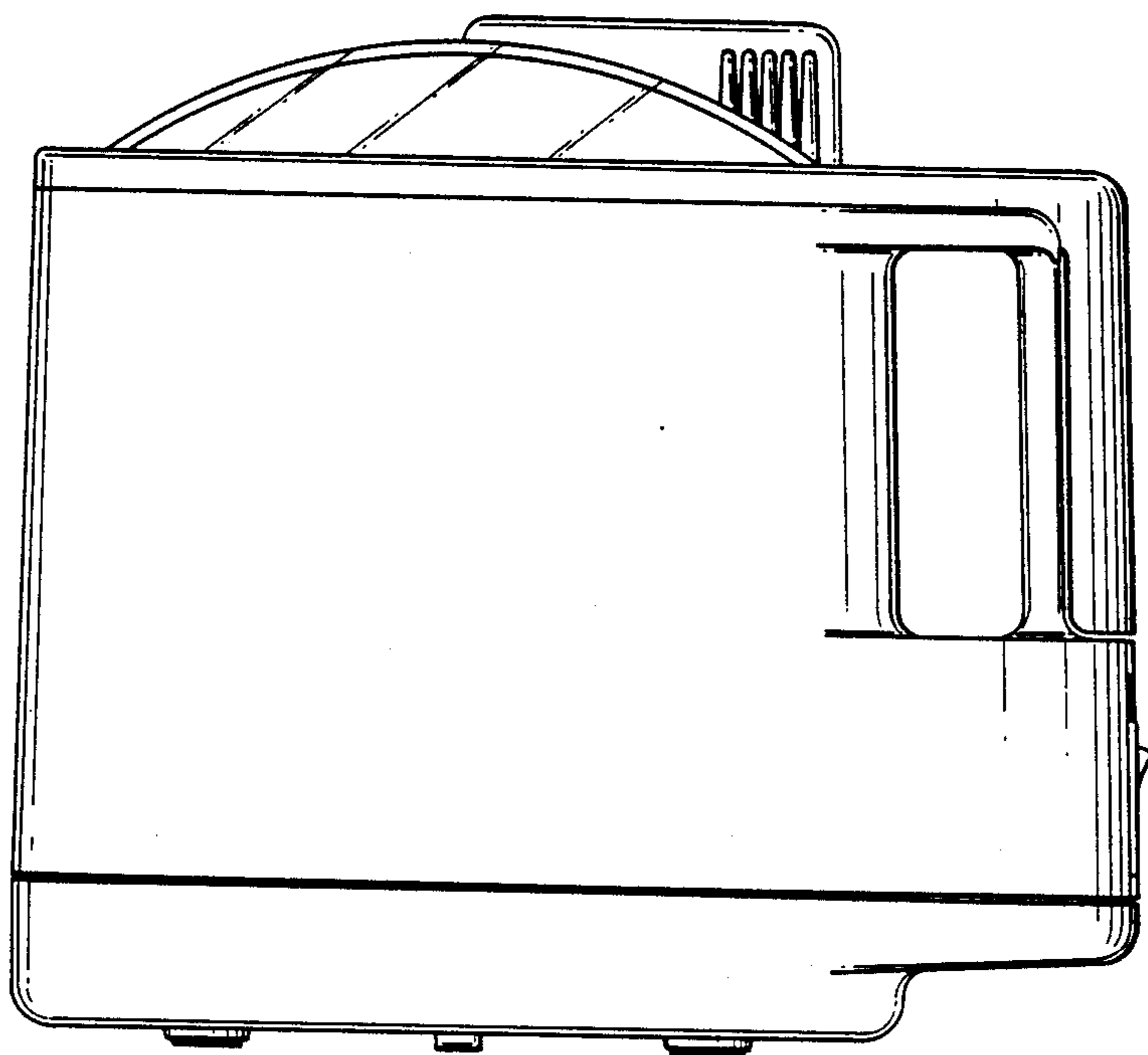


FIG.4

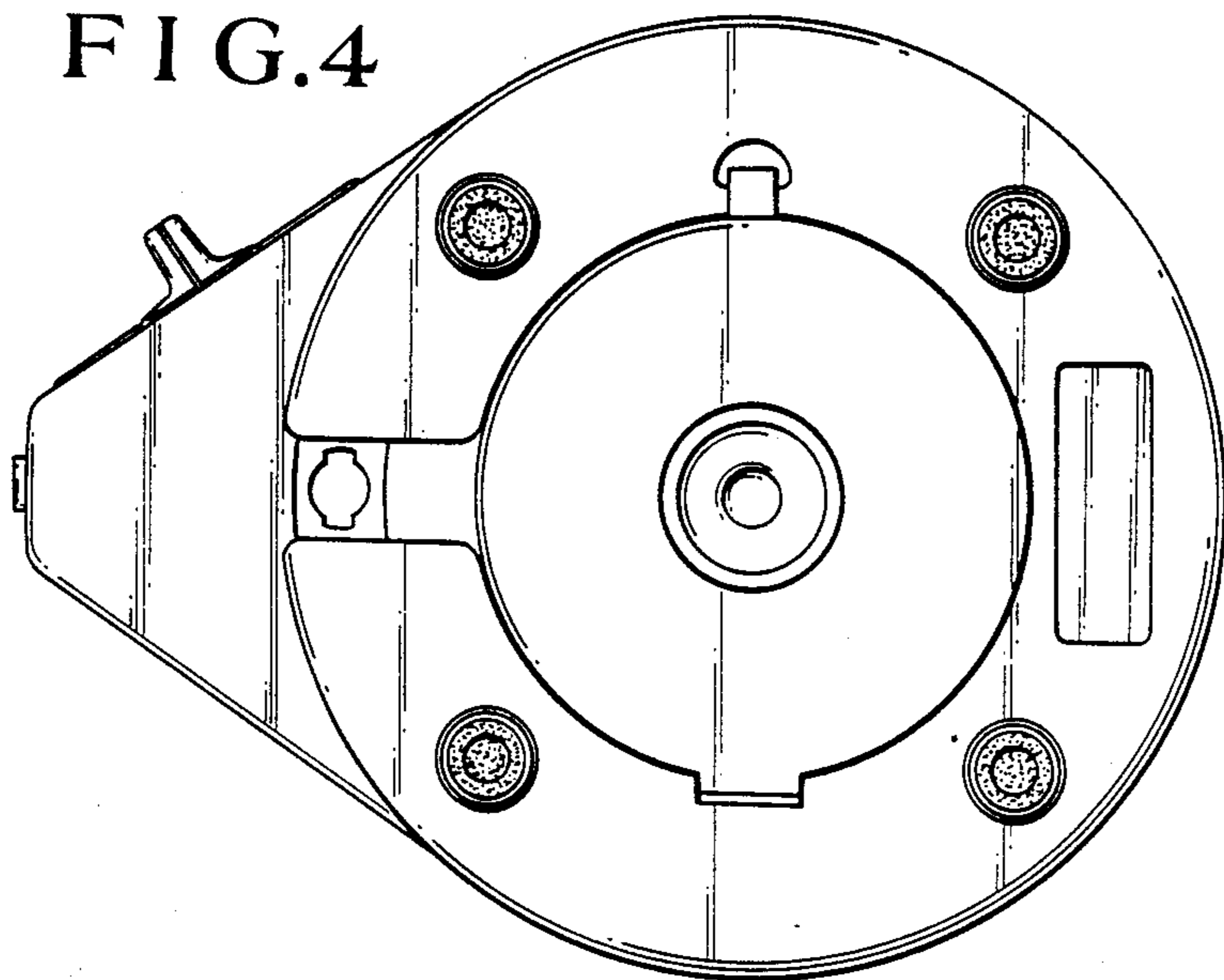


FIG.6

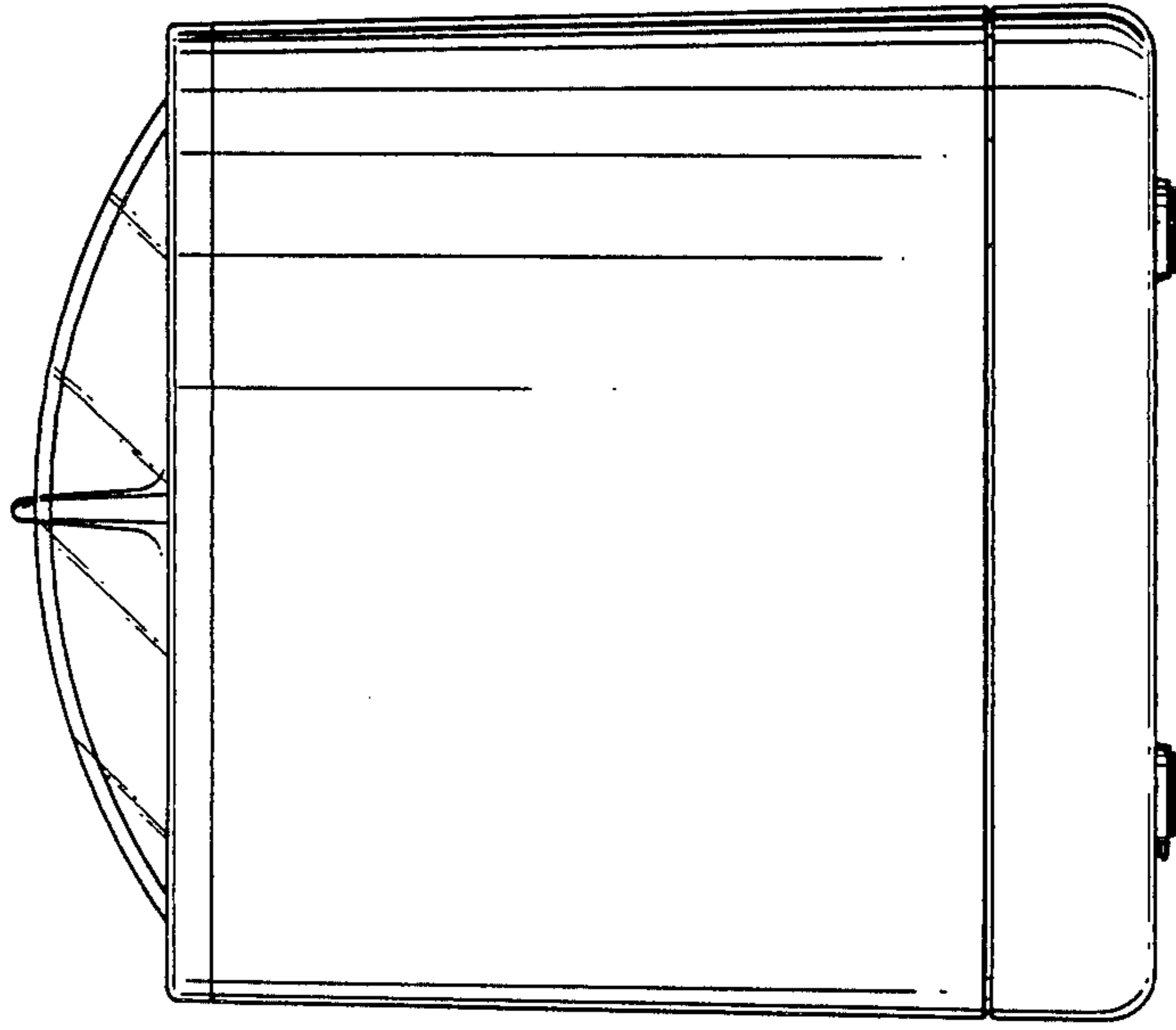


FIG.5

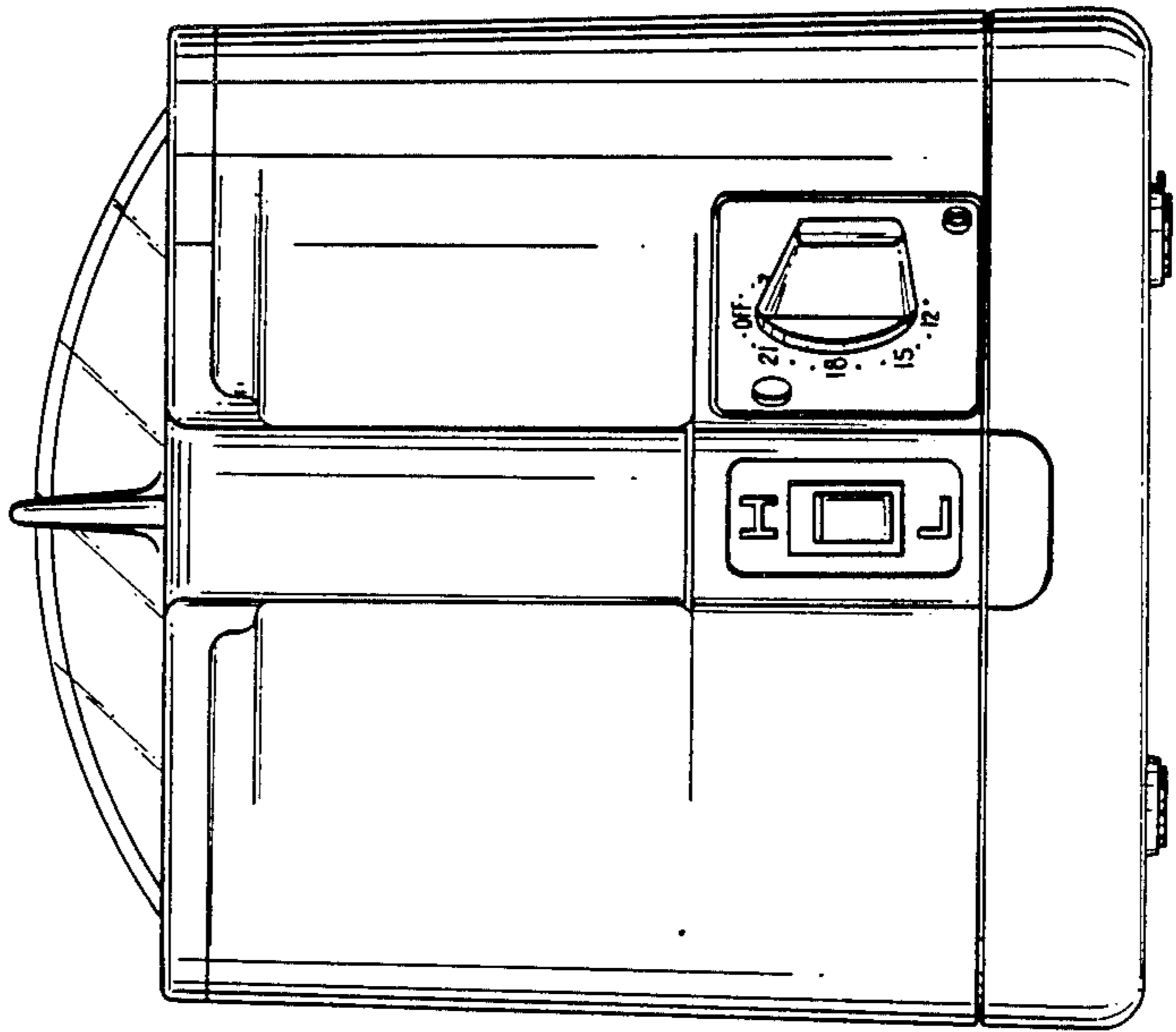


FIG. 7

