

[54] MICROWAVE OVEN

[75] Inventors: Yoshio Suganoya; Masayoshi Kawaishi; Kazuo Tsuzimoto, all of Osaka, Japan

[73] Assignee: Sharp Corporation, Osaka, Japan

[\*\*] Term: 14 Years

[21] Appl. No.: 629,345

[22] Filed: Jul. 10, 1984

[30] Foreign Application Priority Data

Jan. 12, 1984 [JP] Japan ..... 59-582

[52] U.S. Cl. .... D7/351

[58] Field of Search ..... D7/350, 351; 219/10.55 R, 10.55 A, 10.55 B, 10.55 C, 10.55 D, 10.55 E, 10.55 F, 10.55 M

[56] References Cited

U.S. PATENT DOCUMENTS

D. 251,052	2/1979	Kosako .....	D7/351
D. 262,088	12/1981	Yamamura et al. ....	D7/351
D. 268,080	3/1983	Haruguchi et al. ....	D7/351
D. 268,081	3/1983	Haruguchi et al. ....	D7/351
D. 268,082	3/1983	Haruguchi et al. ....	D7/351
D. 277,355	1/1985	Miyake et al. ....	D7/351
D. 280,063	8/1985	Choi .....	D7/351

OTHER PUBLICATIONS

Montgomery Ward Catalog, Spring-Summer 1980, p. 888.

Montgomery Ward Catalog, 1983, p. 41, Item A.

Primary Examiner—Wallace R. Burke

Assistant Examiner—Ruth Takemoto

Attorney, Agent, or Firm—Flehr, Hohbach, Test, Albritton & Herbert

[57] CLAIM

The ornamental design for a microwave oven, as shown and described.

DESCRIPTION

FIG. 1 is an enlarged perspective view of the microwave oven showing our new design;

FIG. 2 is a front elevational view thereof;

FIG. 3 is a front elevational view thereof with the door open;

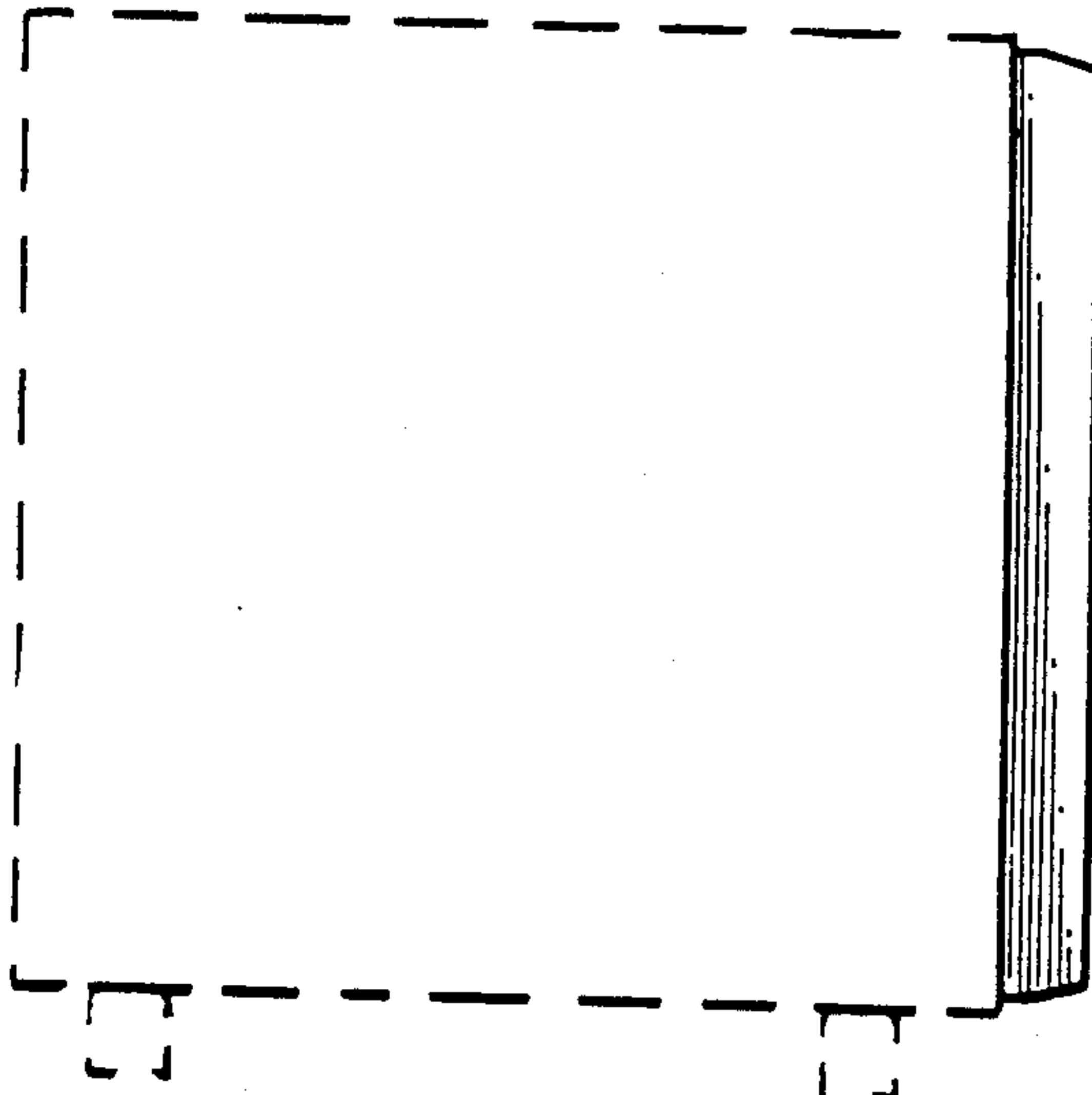
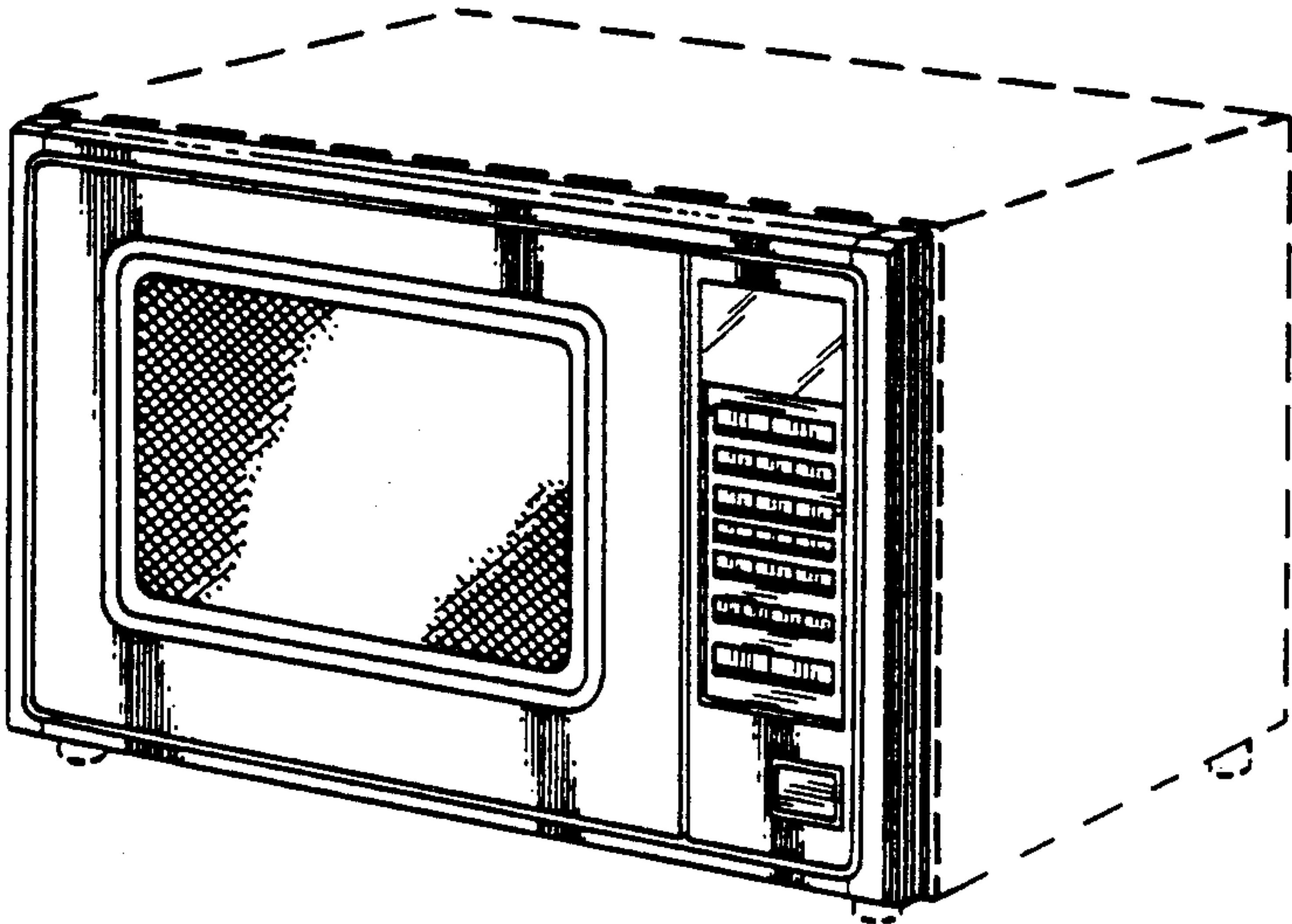
FIG. 4 is a top plan view thereof;

FIG. 5 is a bottom plan view thereof;

FIG. 6 is a right side elevational view thereof; and

FIG. 7 is a left side elevational view thereof.

The cabinet shown in broken lines in FIGS. 1-7 is shown for illustrative purposes only and forms no part of the claimed design.



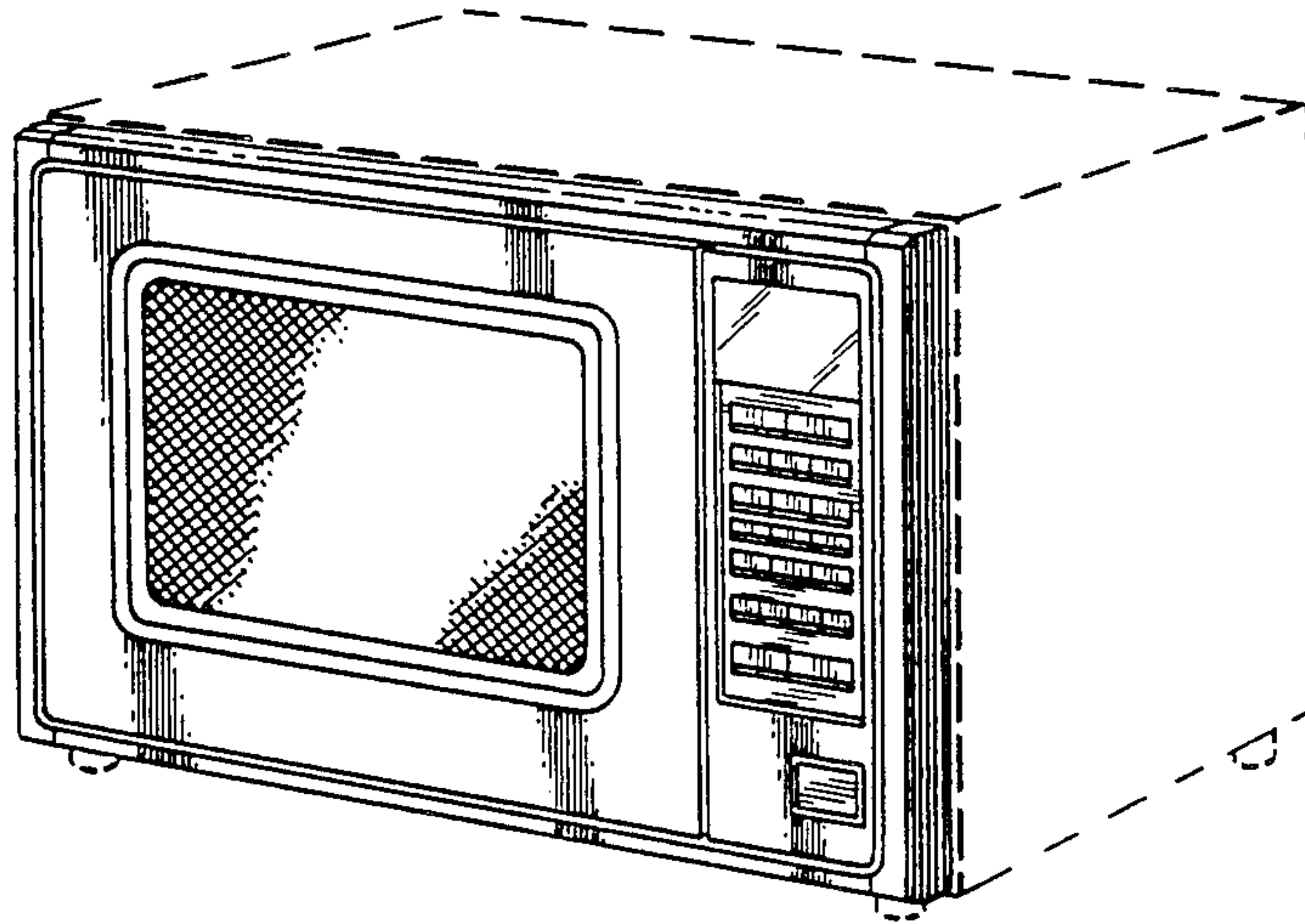


FIG. 1

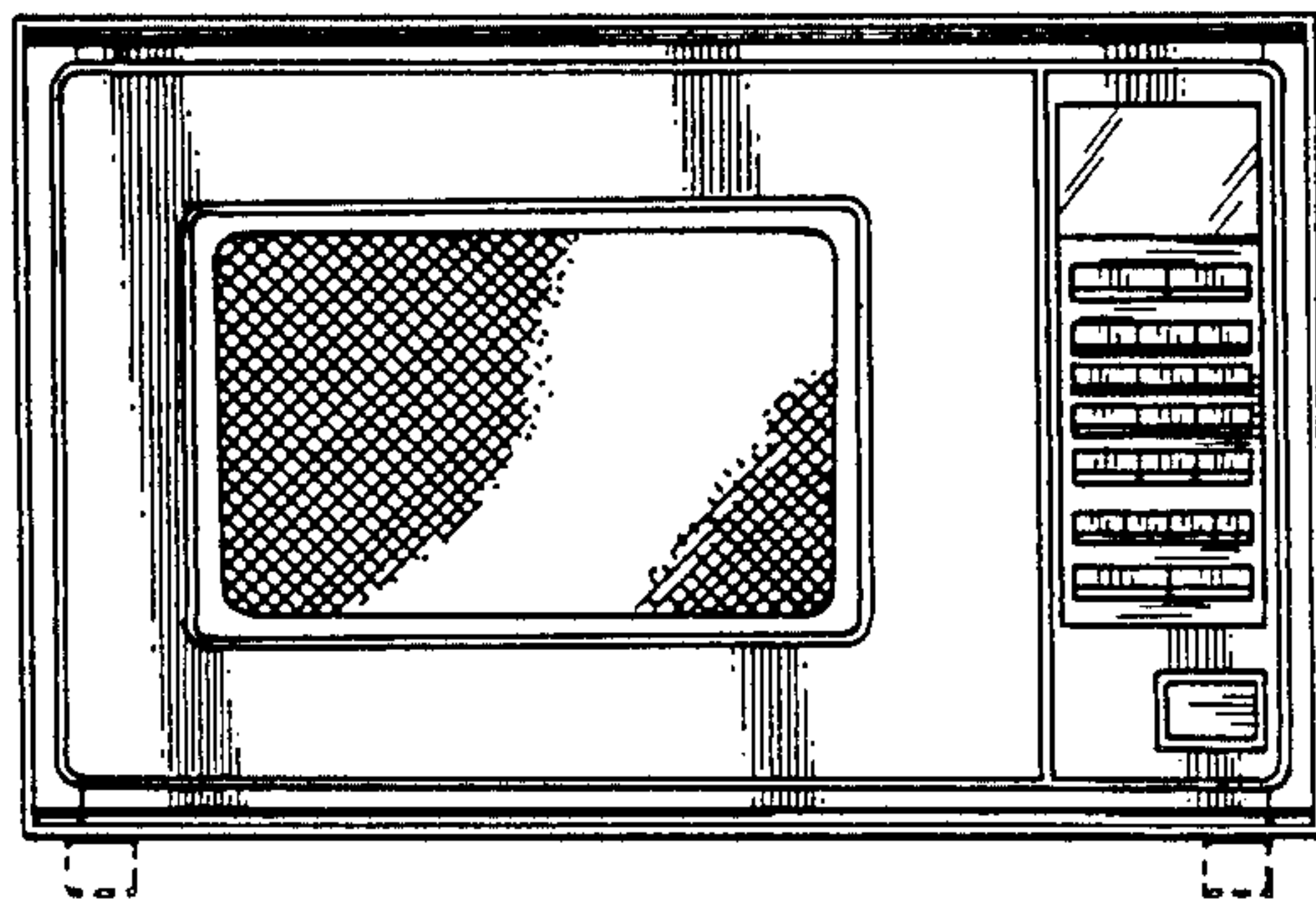


FIG. 2

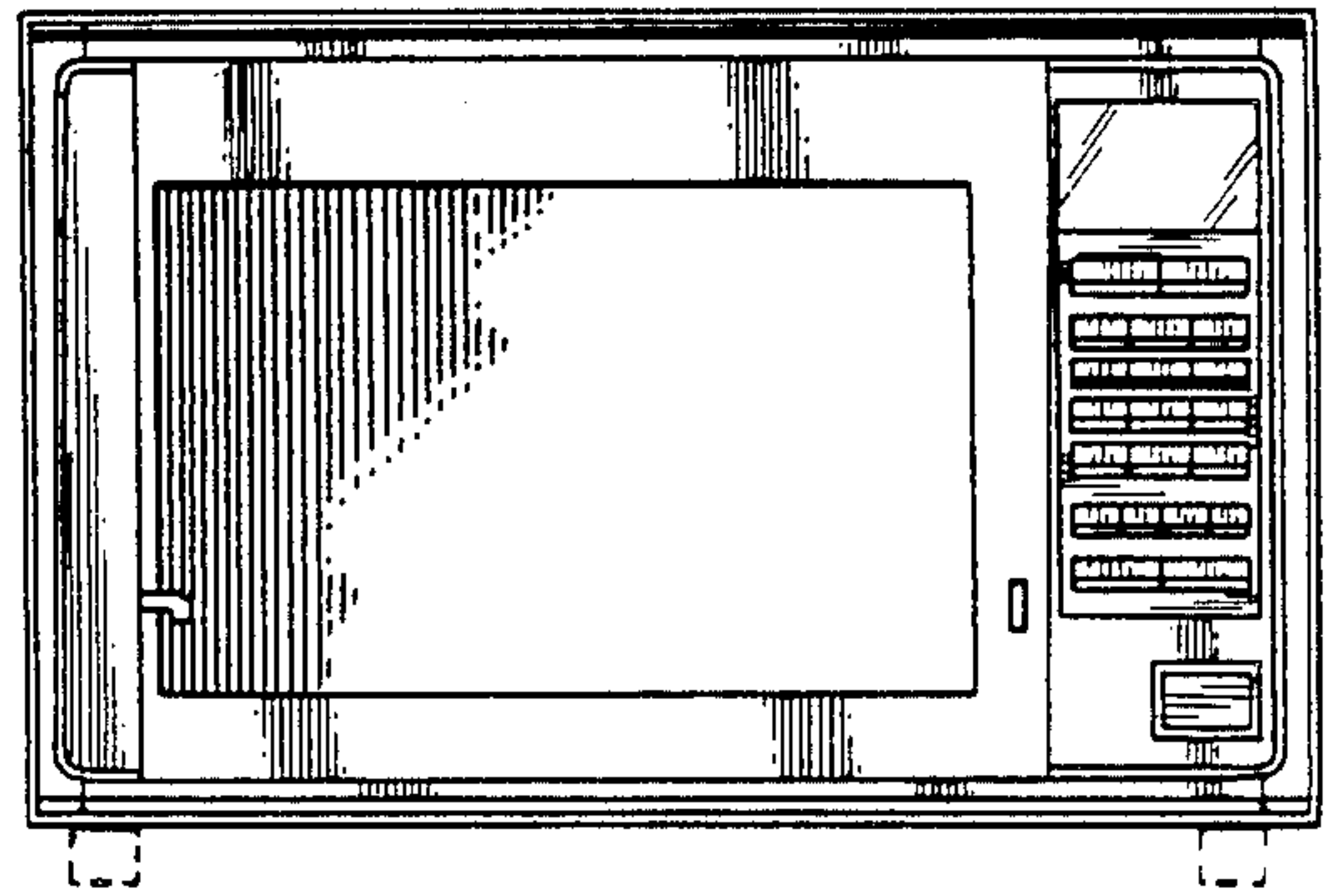


FIG. 3

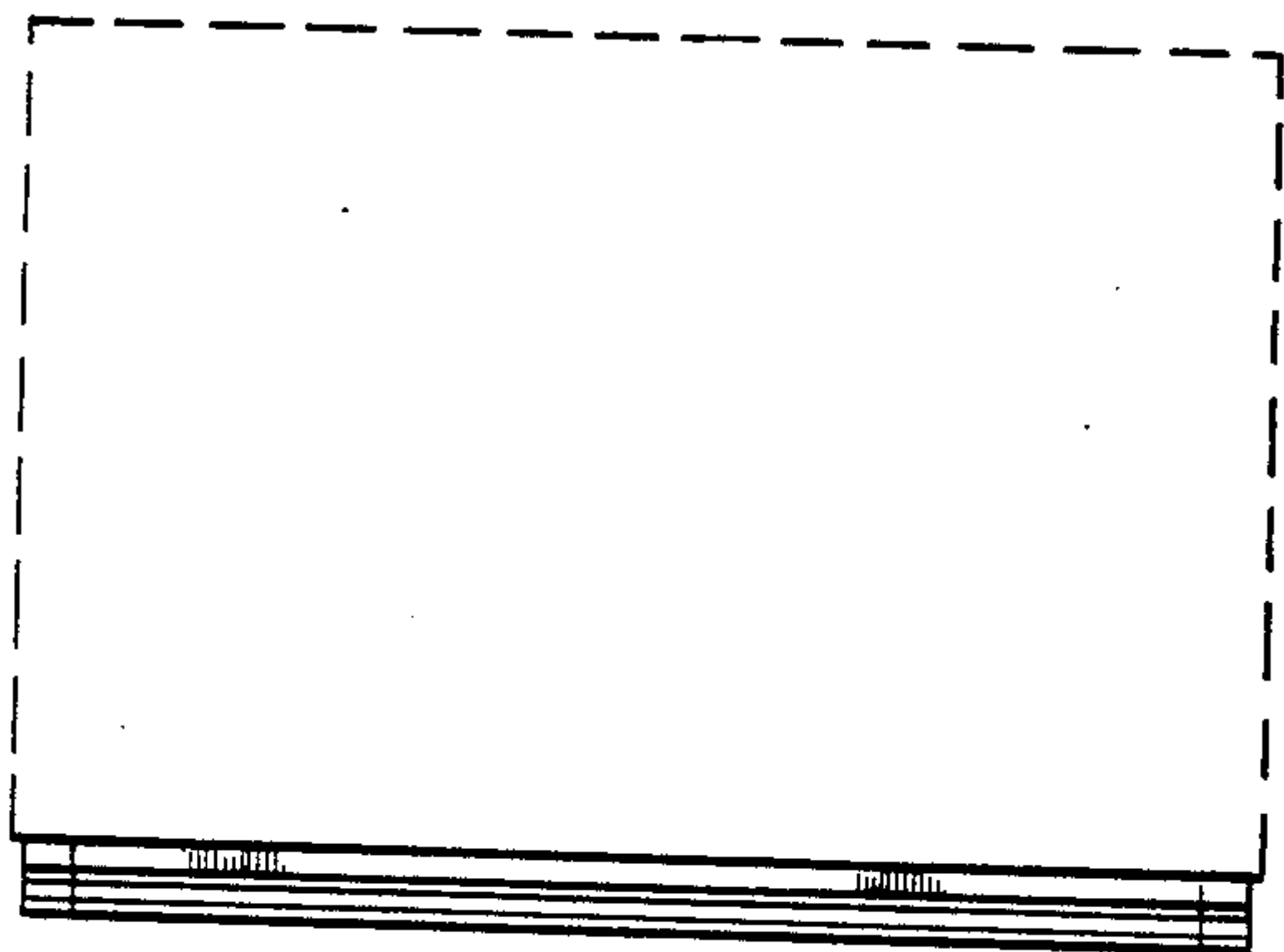


FIG. 4

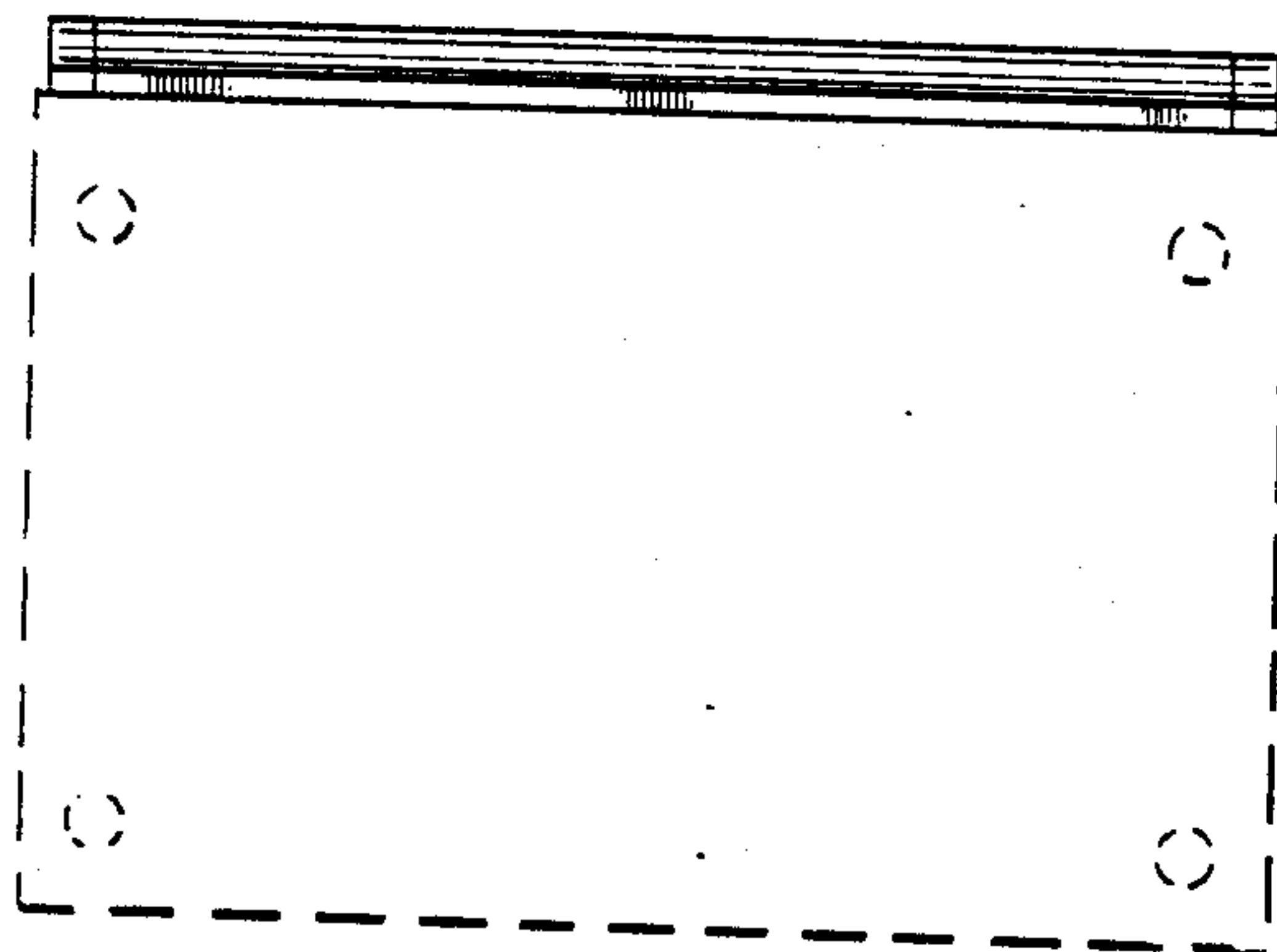


FIG. 5

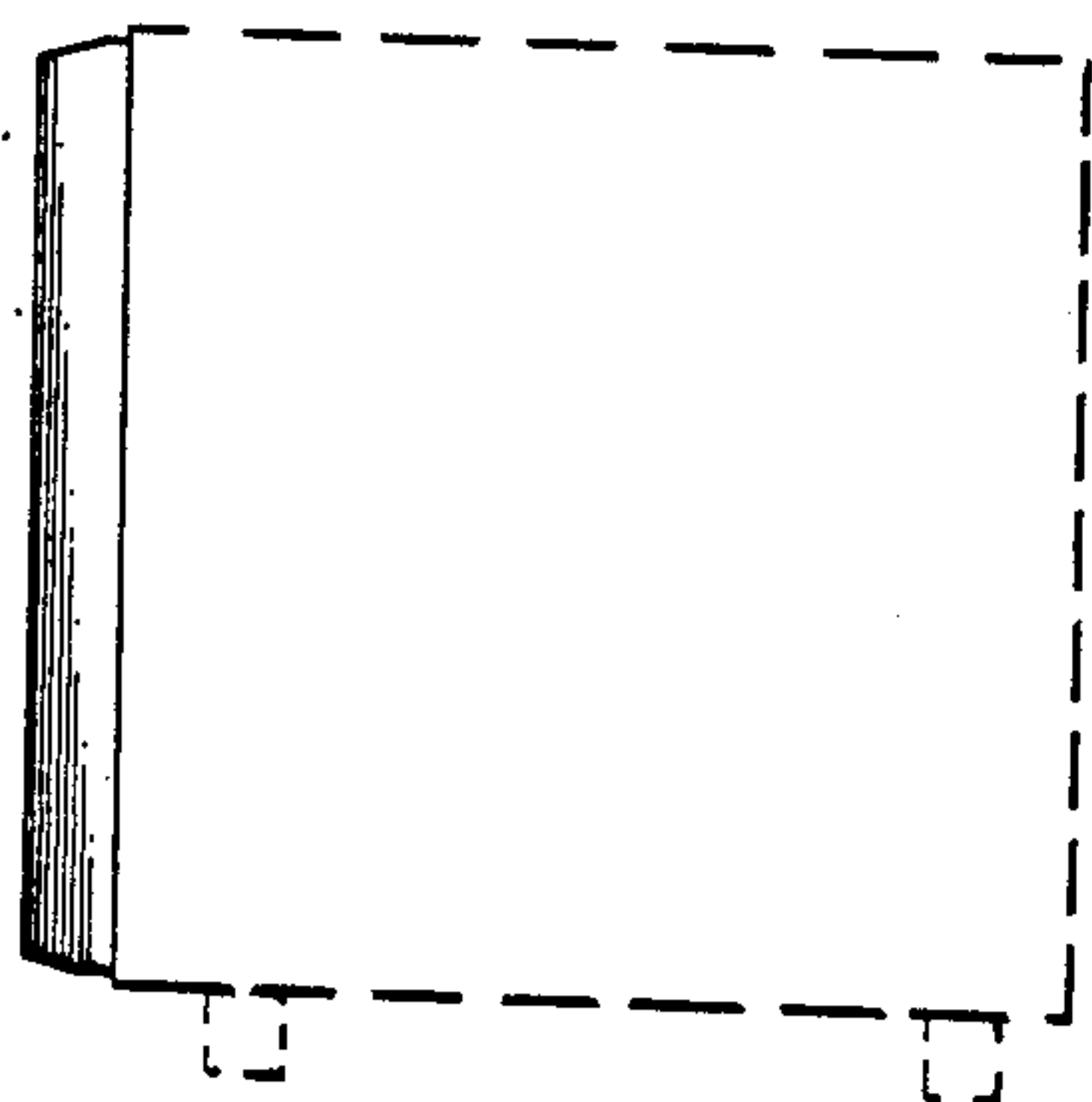


FIG. 6

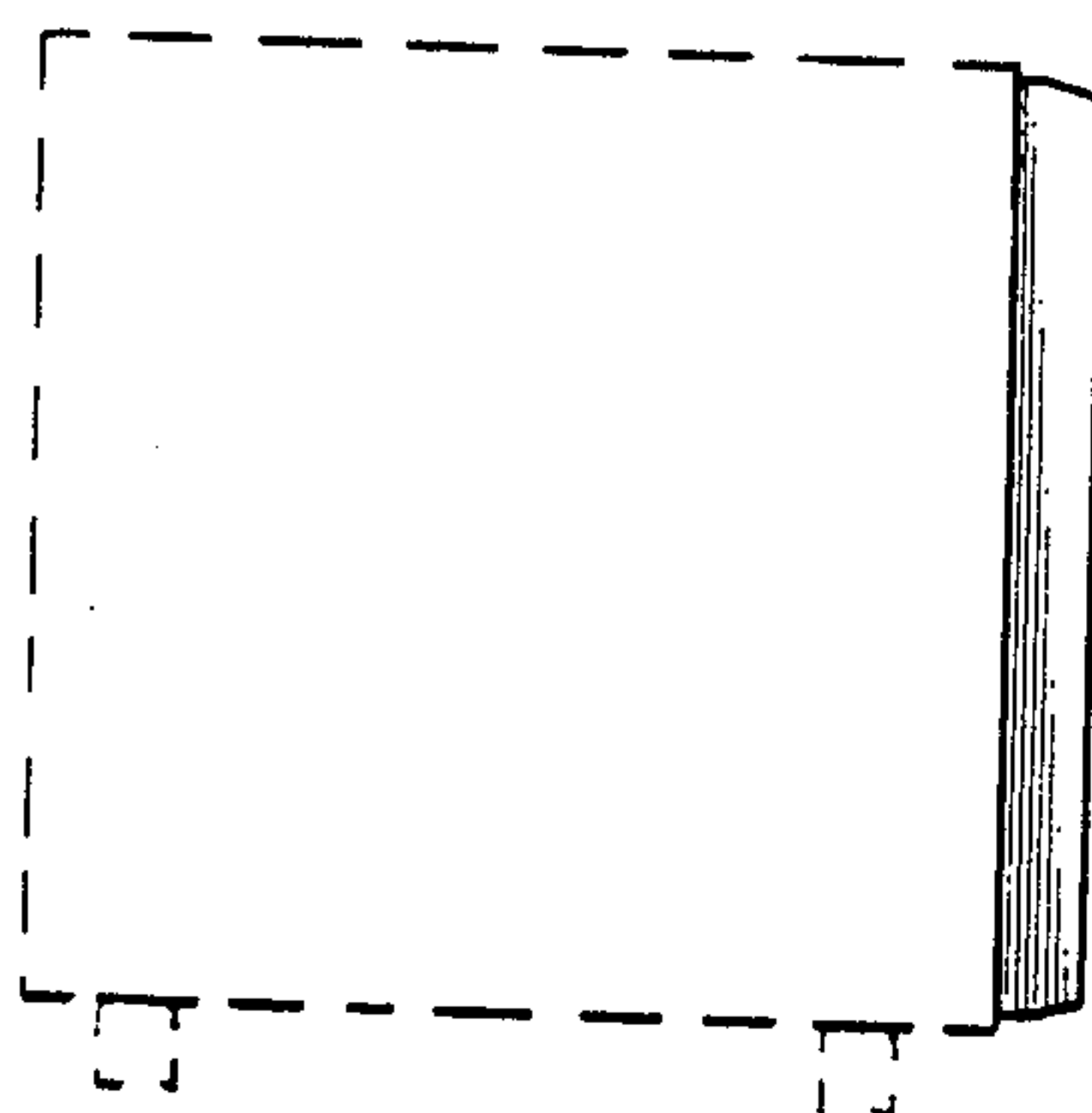


FIG. 7