

[54] BEVERAGE CONTAINER

[75] Inventor: Joseph F. Fiore, Jr., Houston, Tex.

[73] Assignee: Igloo Corporation, Houston, Tex.

[**] Term: 14 Years

[21] Appl. No.: 745,217

[22] Filed: Jun. 17, 1985

[52] U.S. Cl. D7/320; D7/77

[58] Field of Search D7/300, 312, 314, 316, D7/318, 320, 321, 76, 77, 78; D9/378, 390, 399

[56] References Cited

U.S. PATENT DOCUMENTS

- D. 242,432 11/1976 Gottsegen D7/321
- D. 274,685 7/1984 Ohmoto D7/320 X
- D. 286,367 10/1986 Murphy D7/321 X
- 3,539,075 11/1970 Bautista D7/314 X
- 4,464,983 8/1984 Chappell et al. D7/320 X

OTHER PUBLICATIONS

Thermos brochure, supplement to Retail Home Furnishings, Feb. 11, 1980, container in clowns hand.

Austria Souvenirs, Sep. 1959, p. 8, panel #7, second container from left.

Home Furnishings Daily, Monday, Jan. 2, 1976, sect. 2, p. 55, picnic jugs at top of page.

Primary Examiner—Robert C. Spangler
Attorney, Agent, or Firm—Vinson & Elkins

[57] CLAIM

The ornamental design for a beverage container, as shown and described.

DESCRIPTION

FIG. 1 is a top perspective view of a beverage container showing my new design;

FIG. 2 is a bottom perspective view;

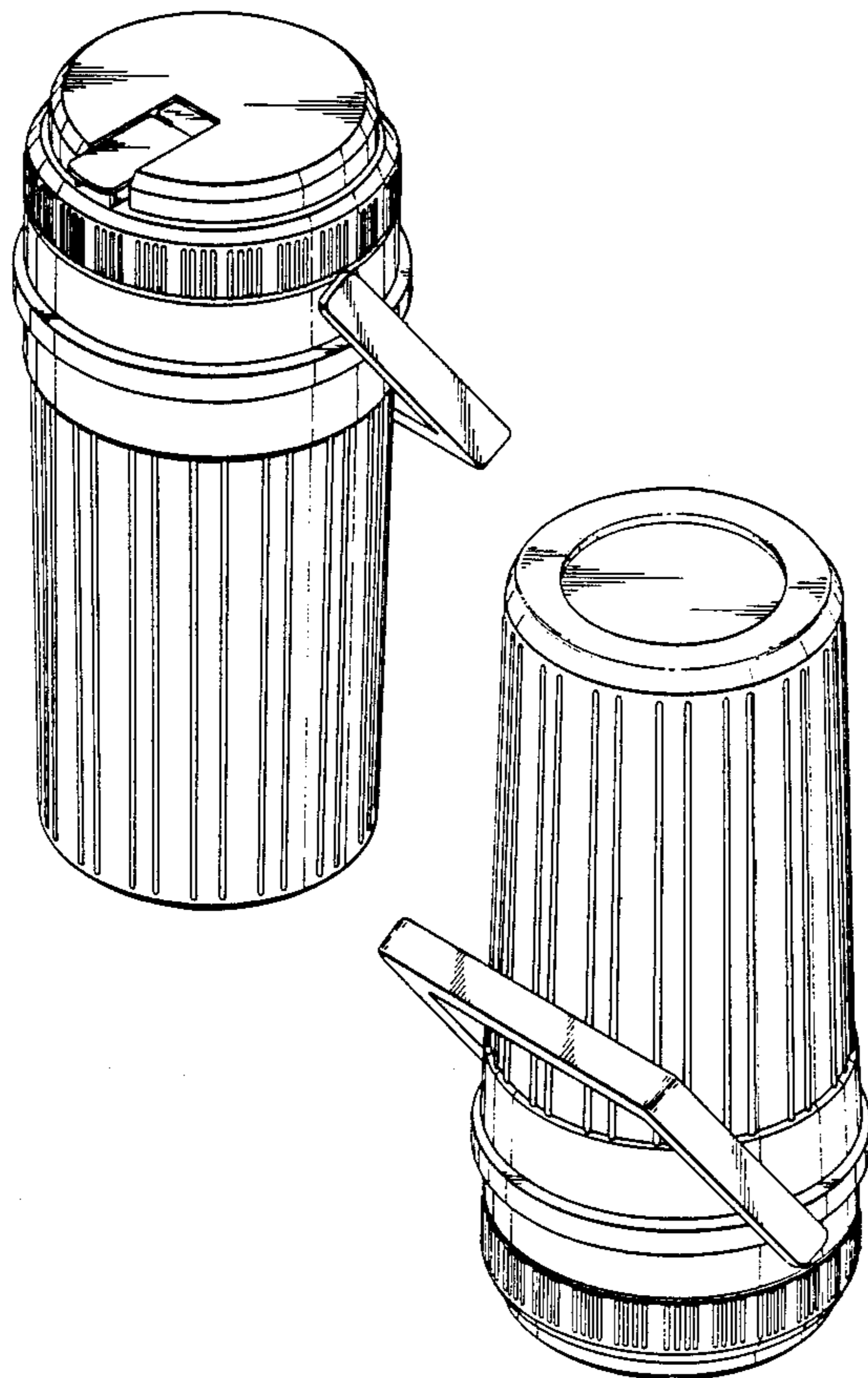
FIG. 3 is a top plan view;

FIG. 4 is a sectional view taken on the line 4—4 of FIG. 3;

FIG. 5 is a side elevational view;

FIG. 6 is a top perspective view of the lid removed from the container; and

FIG. 7 is a bottom perspective view thereof.



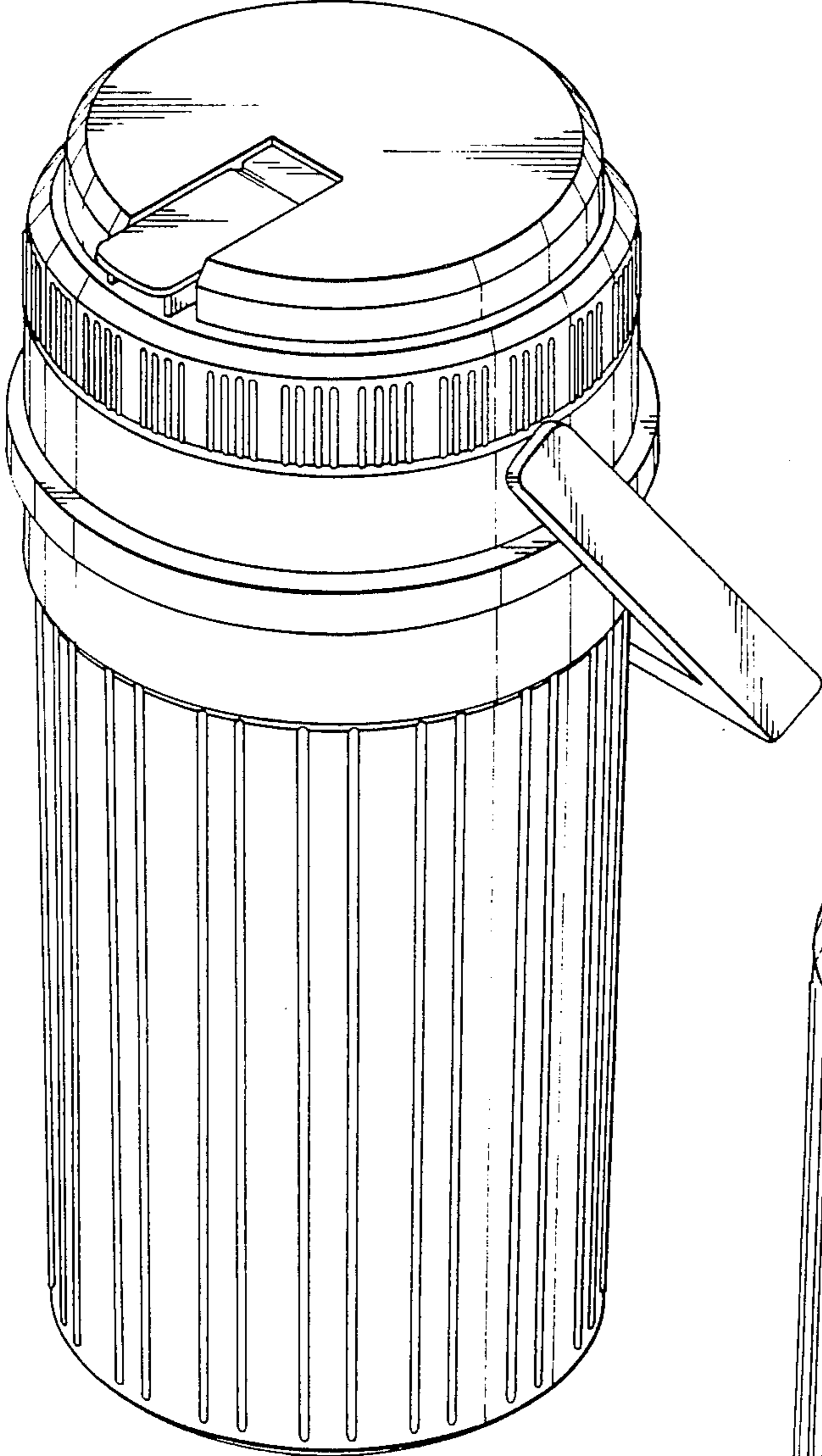


FIG. 1

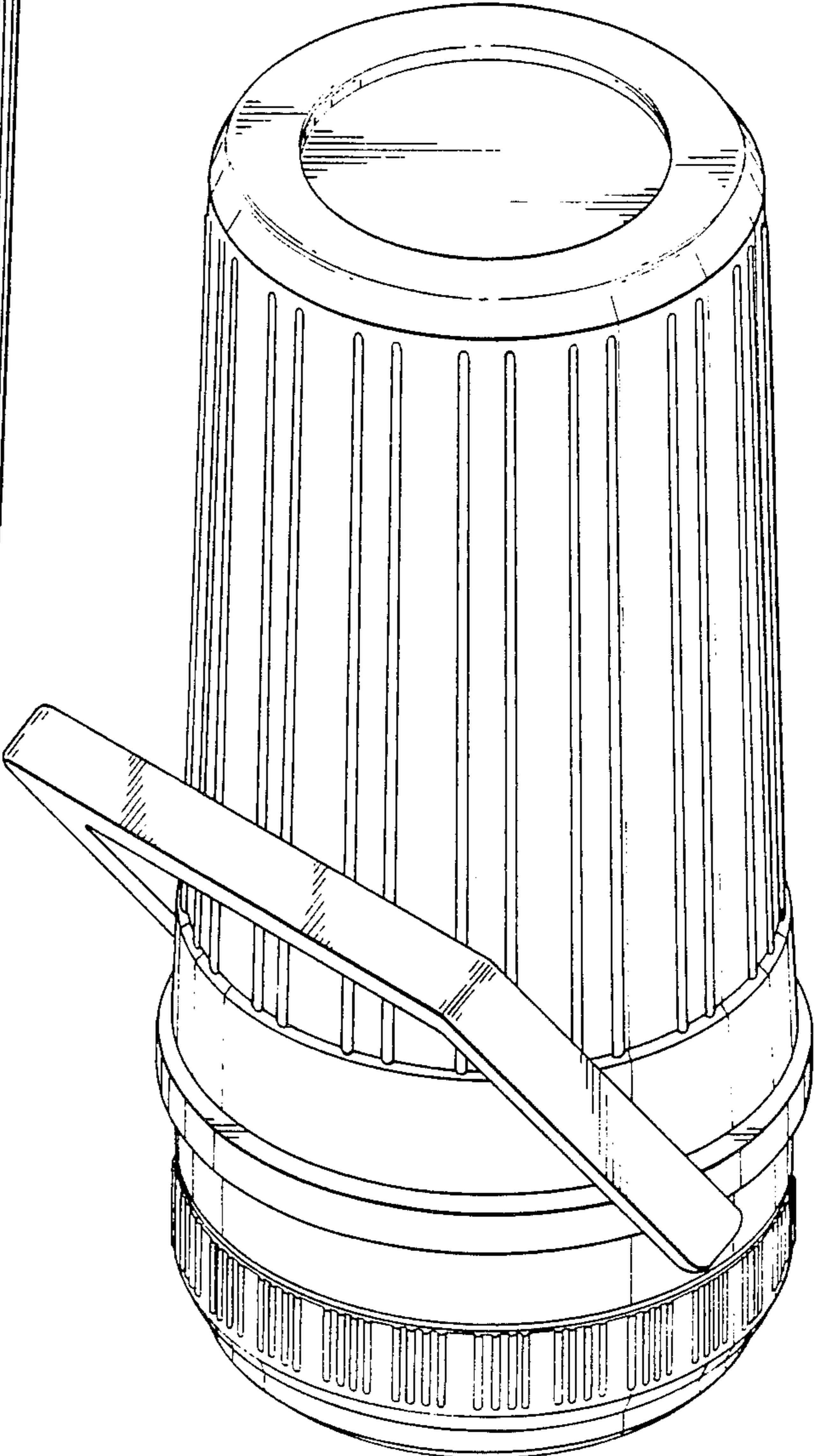


FIG. 2

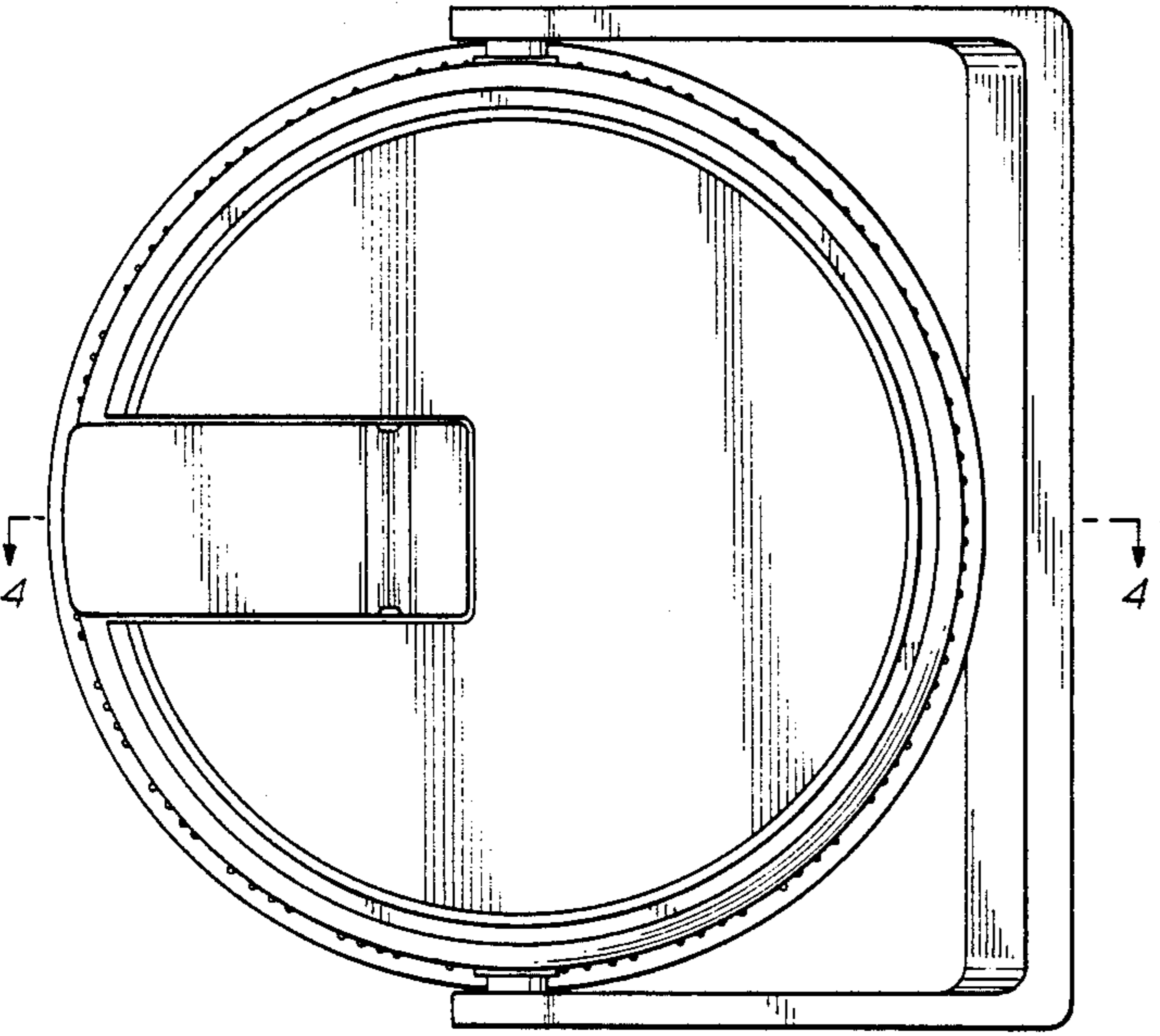


FIG. 3

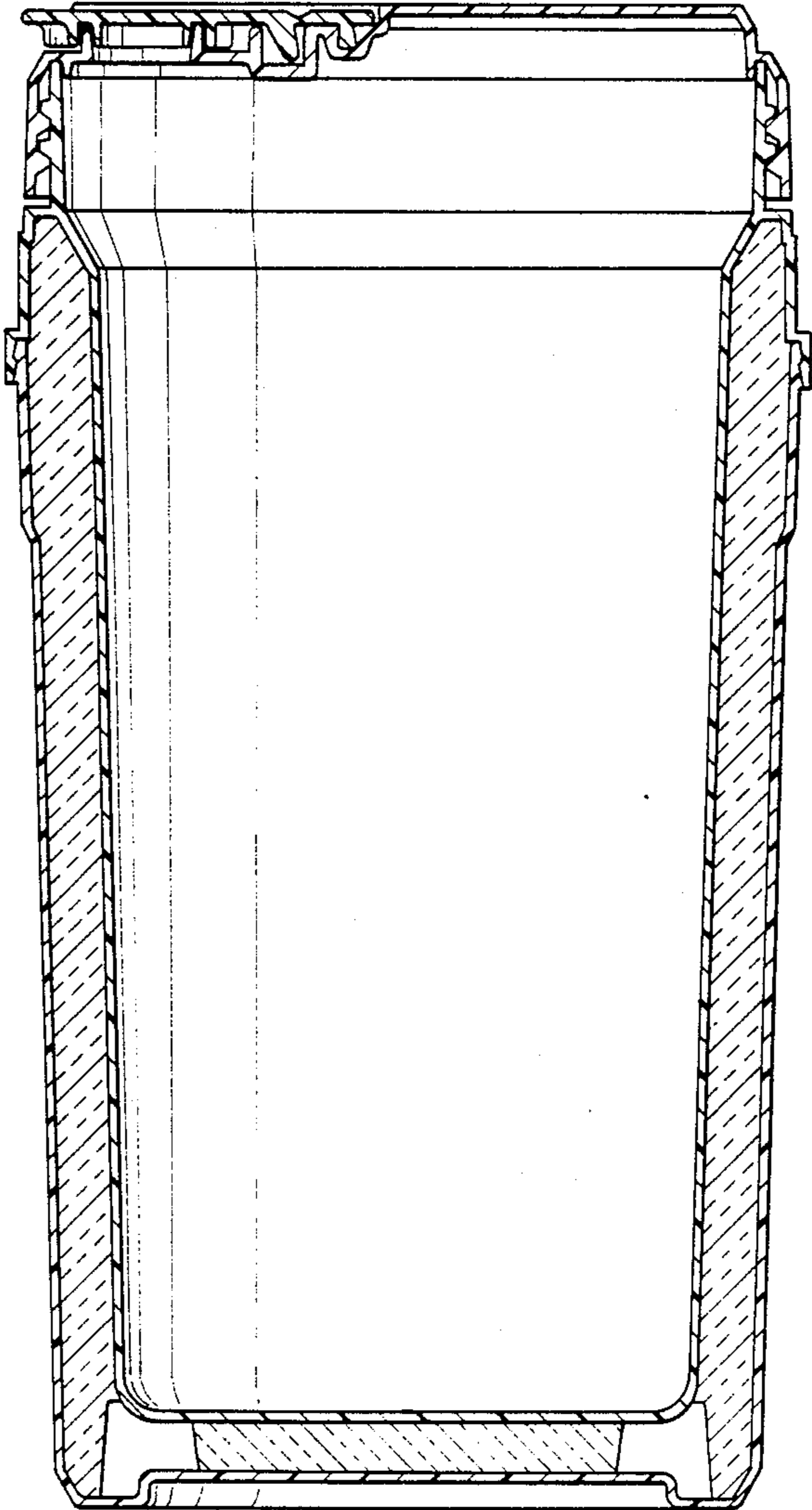


FIG. 4

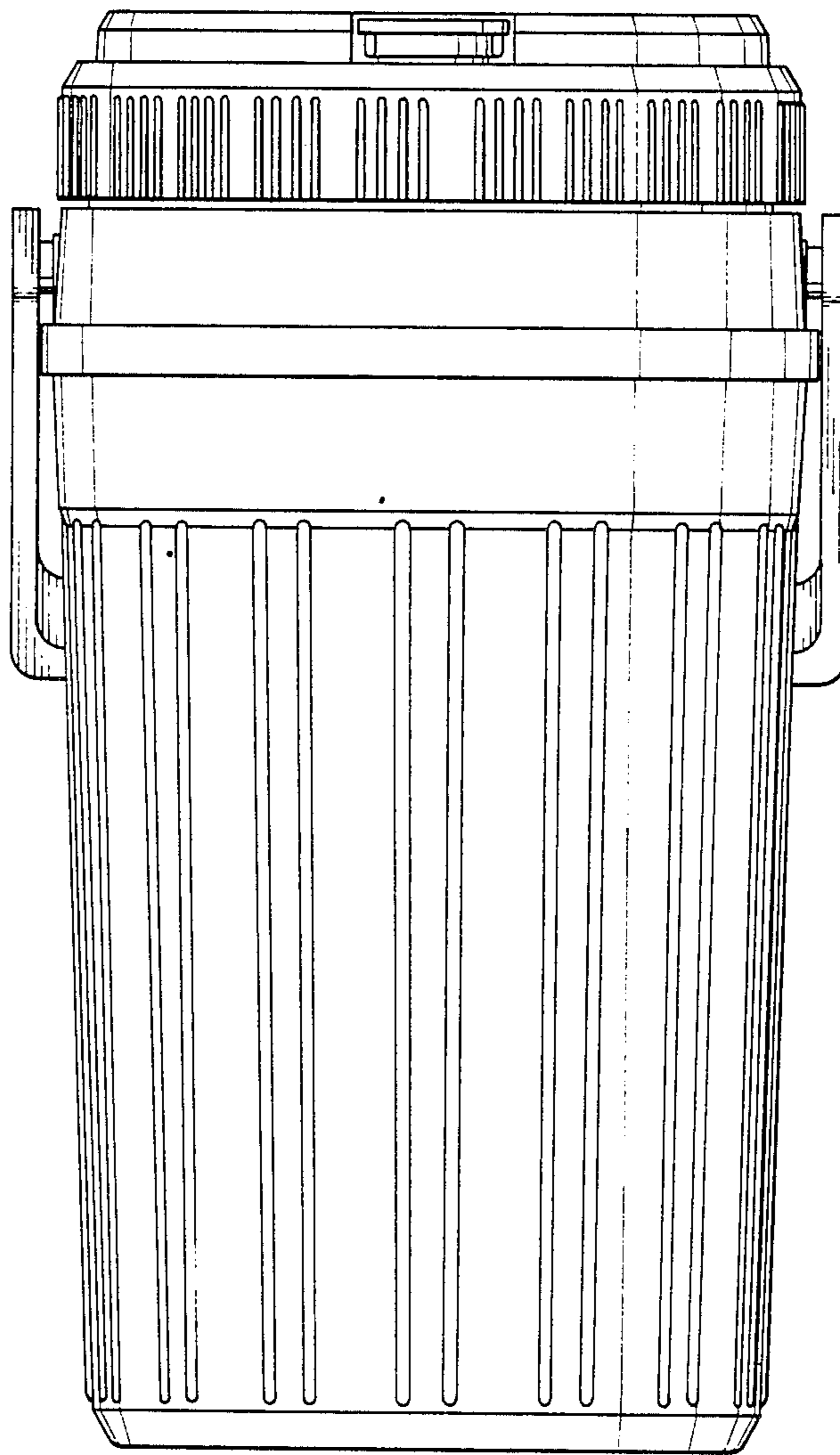


FIG. 5

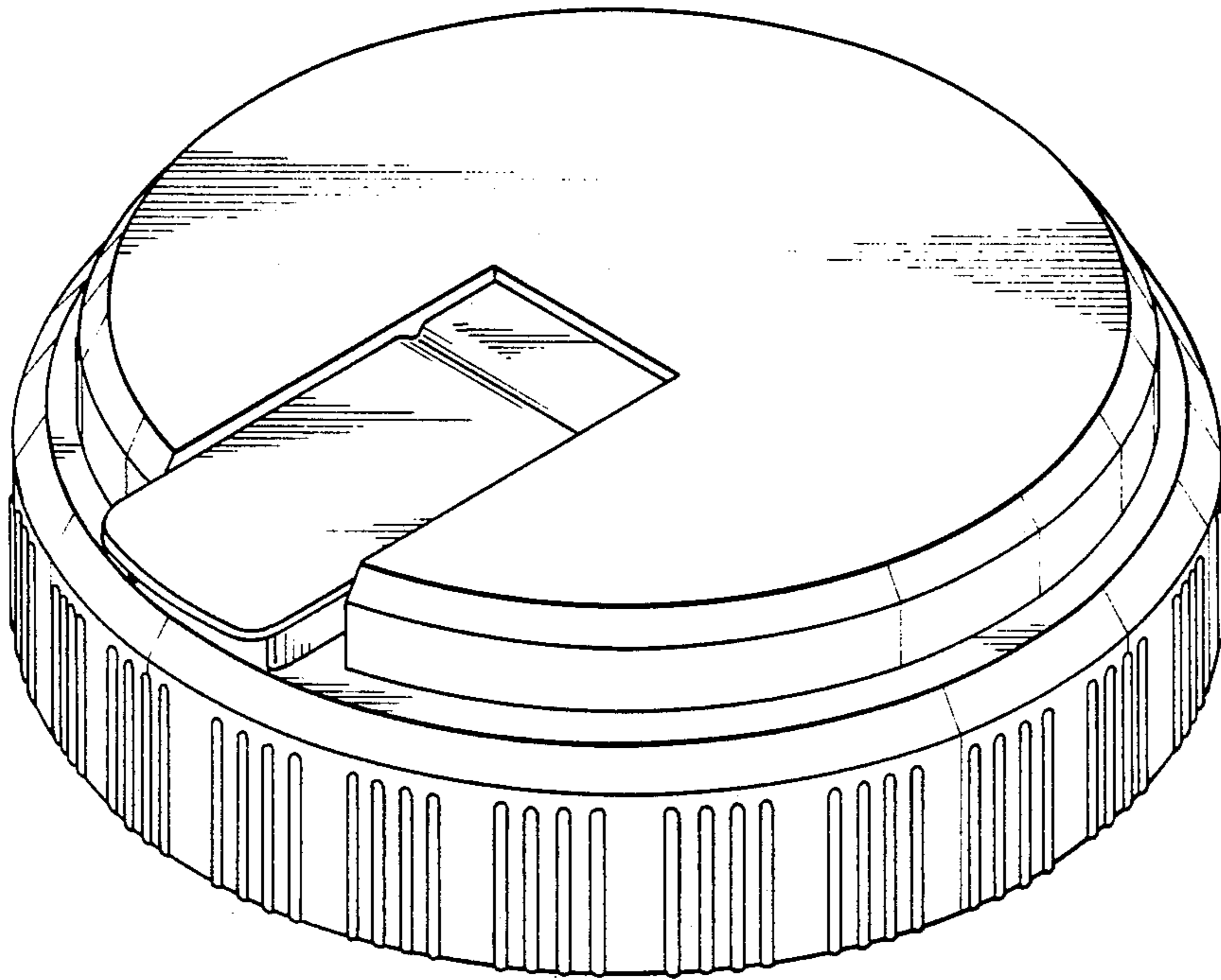


FIG. 6

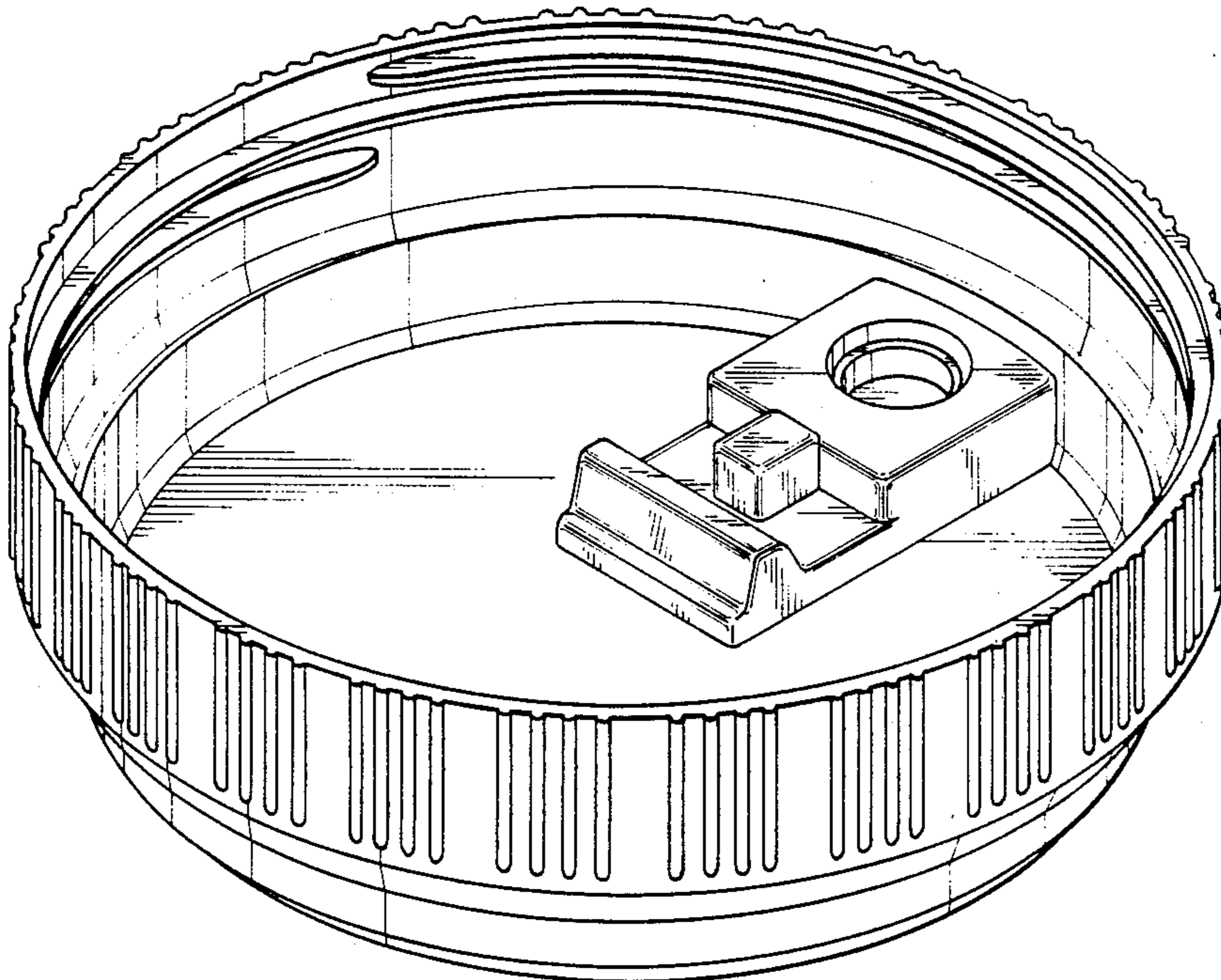


FIG. 7