

[54] MAIL SORTING TABLE UNIT

2,935,203 5/1960 Johnson 209/703 X

[76] Inventors: George F. Brun, Jr., 5025 Jameswood Cir., Kettering, Ohio 45429; Donald A. Doepker, 6200 Dog Leg Rd., Dayton, Ohio 45415

FOREIGN PATENT DOCUMENTS

121814 8/1946 Australia 209/703
973122 8/1975 Canada 209/702
24601 of 1913 United Kingdom 209/703

[**] Term: 14 Years

Primary Examiner—Carmen H. Vales
Attorney, Agent, or Firm—Jacox & Meckstroth

[21] Appl. No.: 752,090

[57] CLAIM

[22] Filed: Jul. 5, 1985

The ornamental design for a mail sorting table unit, substantially as shown and described.

[52] U.S. Cl. D6/420

[58] Field of Search D6/419, 420; 209/702, 209/703, 900

DESCRIPTION

[56] References Cited

U.S. PATENT DOCUMENTS

FIG. 1 is a perspective view of a mail sorting table unit, showing my new design;
FIG. 2 is a front elevational view, the rear view being a mirror image thereof;
FIG. 3 is a left end elevational view thereof;
FIG. 4 is a right end elevational view thereof;
FIG. 5 is a top plan view thereof; and,
FIG. 6 is a bottom plan view thereof.

- D. 8,703 10/1875 Morgan D6/420 X
- D. 25,484 5/1896 Long D6/420
- D. 139,209 10/1944 Bovers D6/420 X
- D. 142,027 8/1945 Glass D6/420 X
- D. 147,965 11/1947 Glass D6/420 X

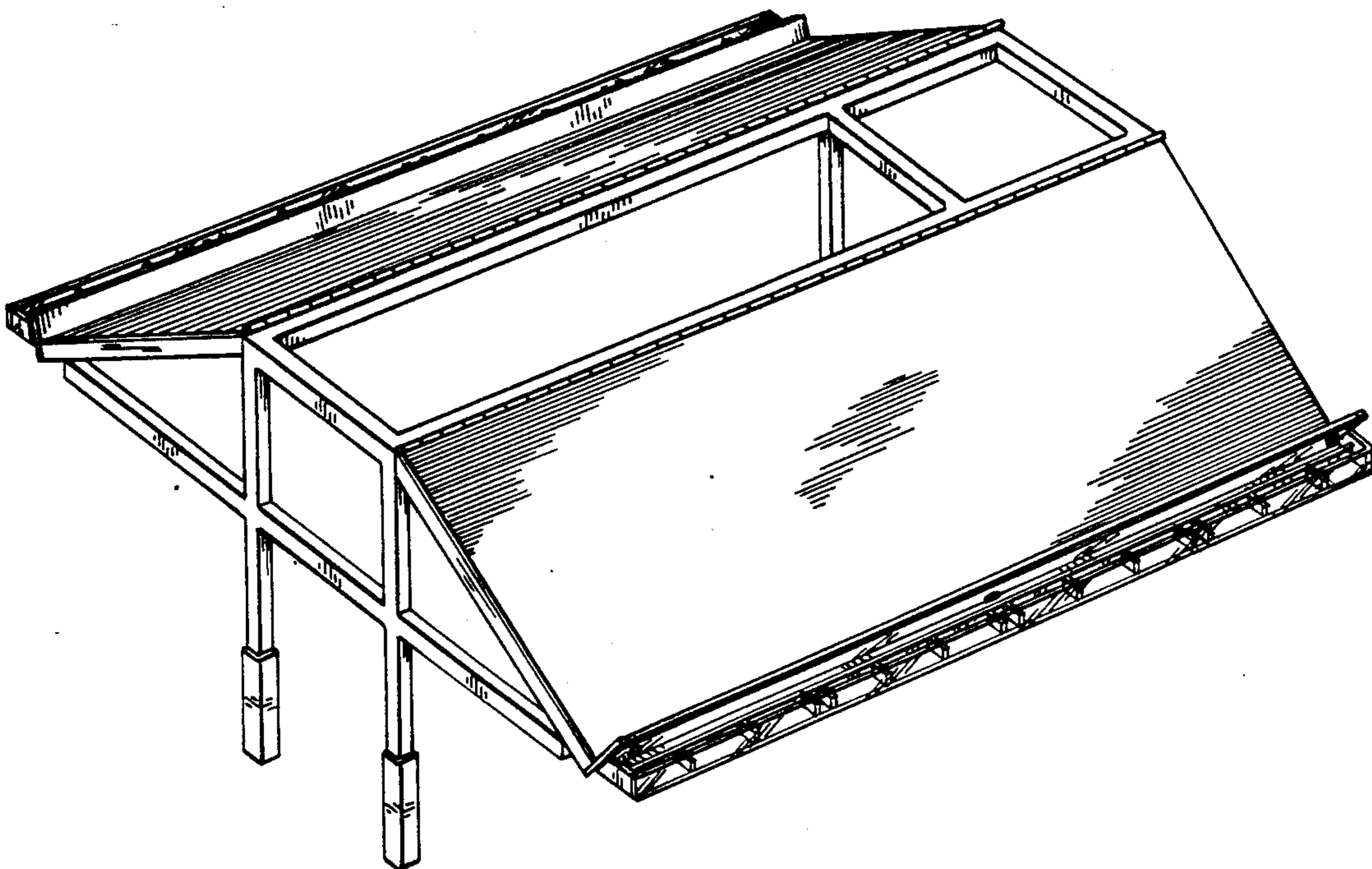


FIG-1

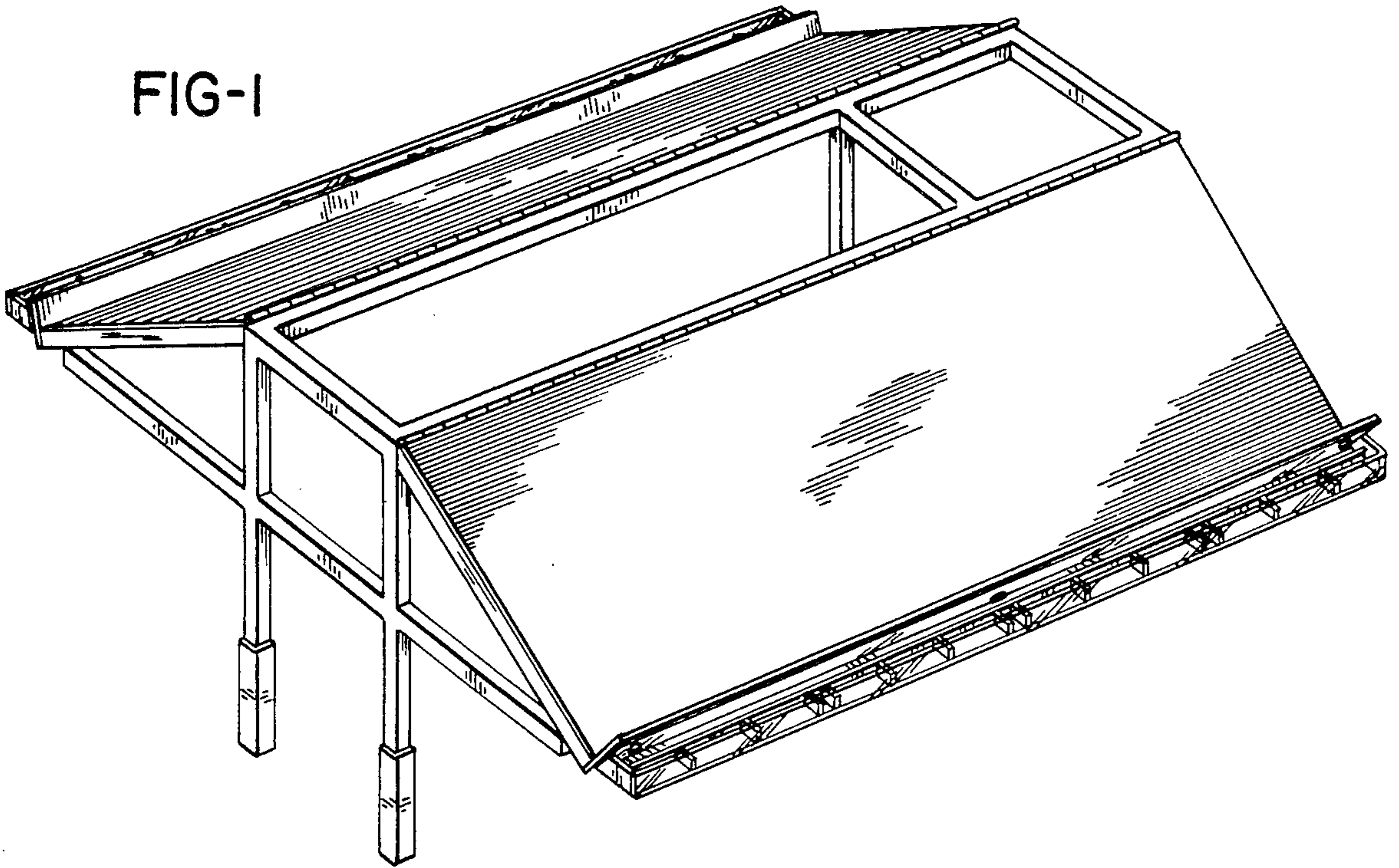


FIG-2

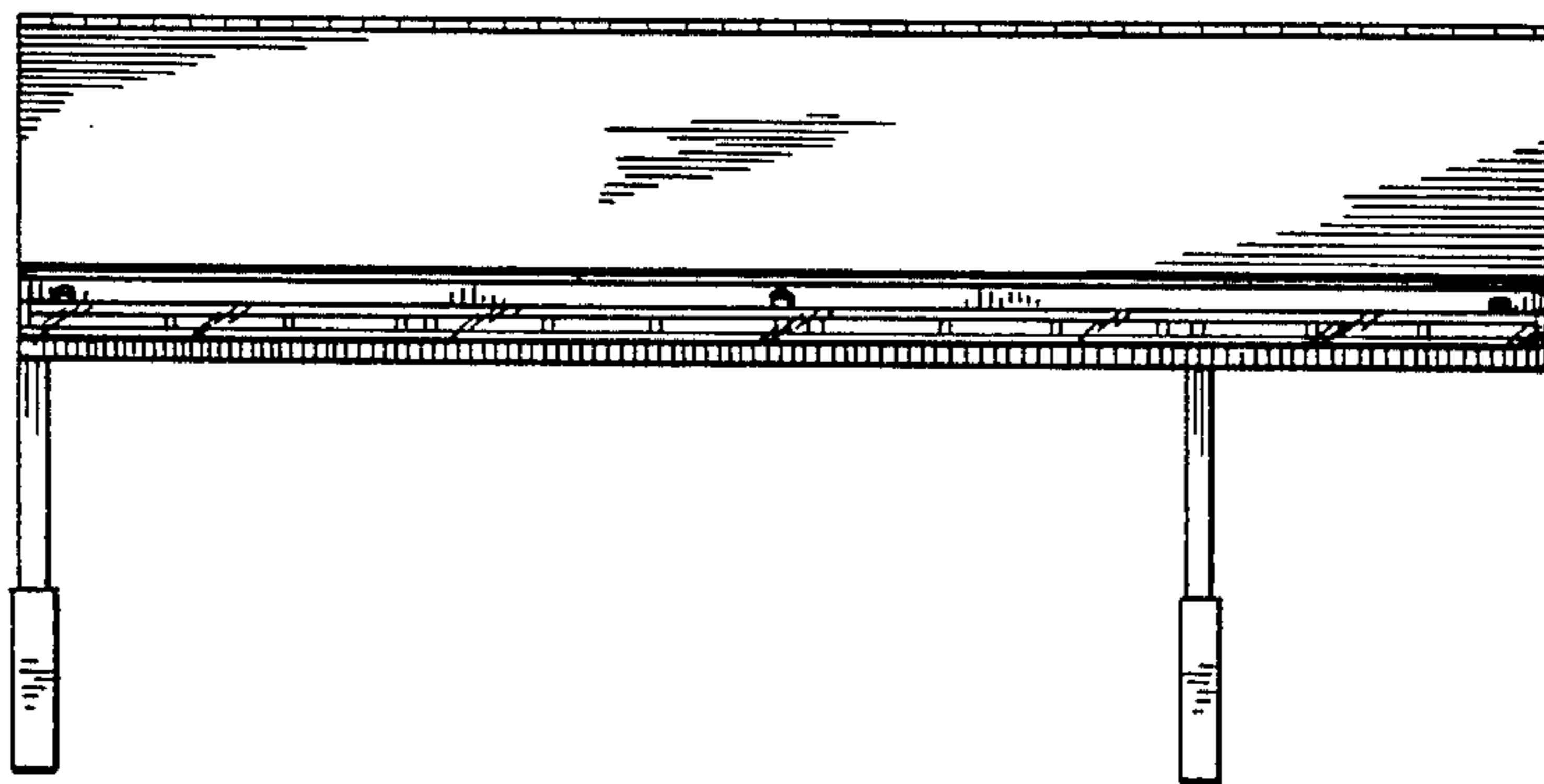


FIG-3

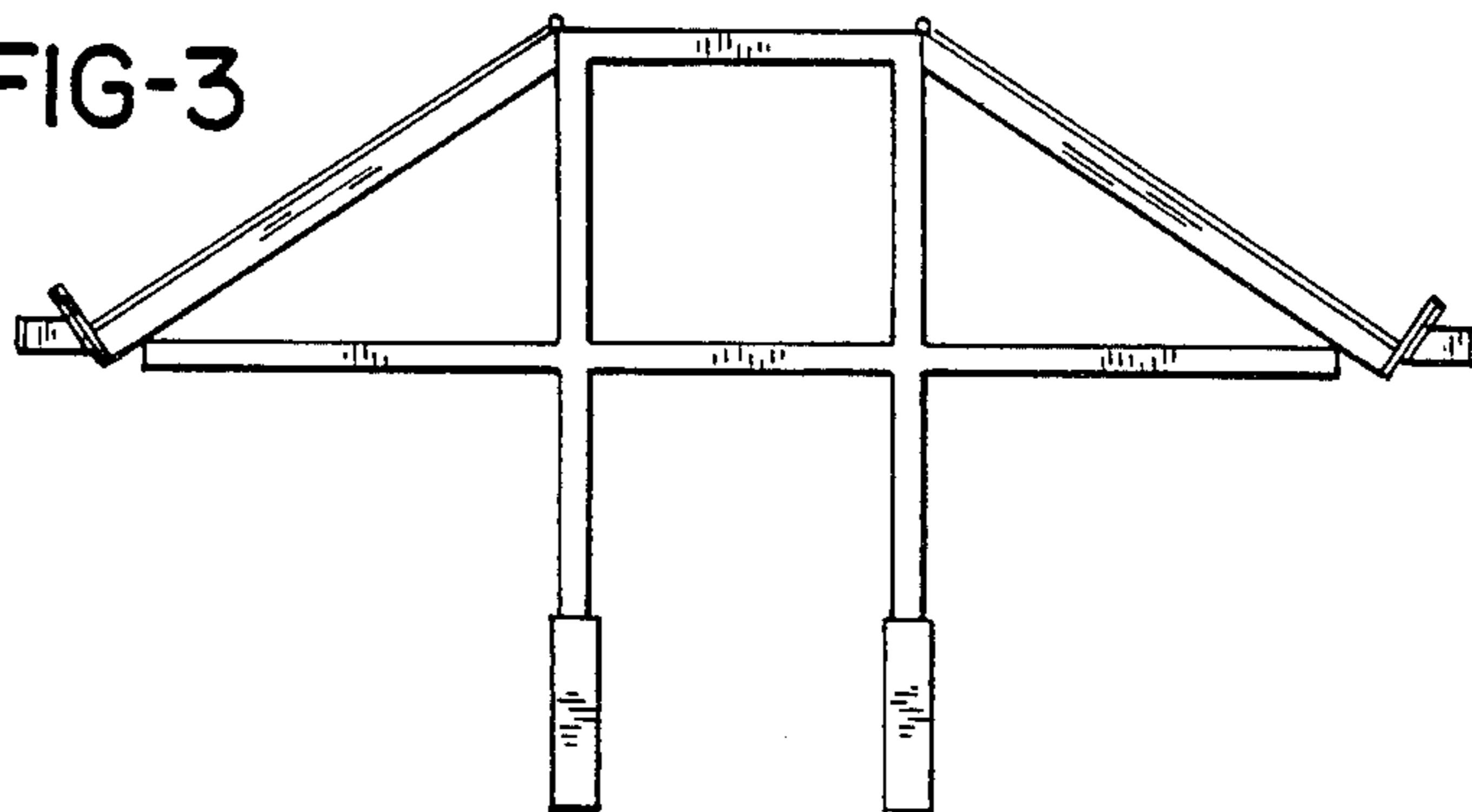


FIG-4

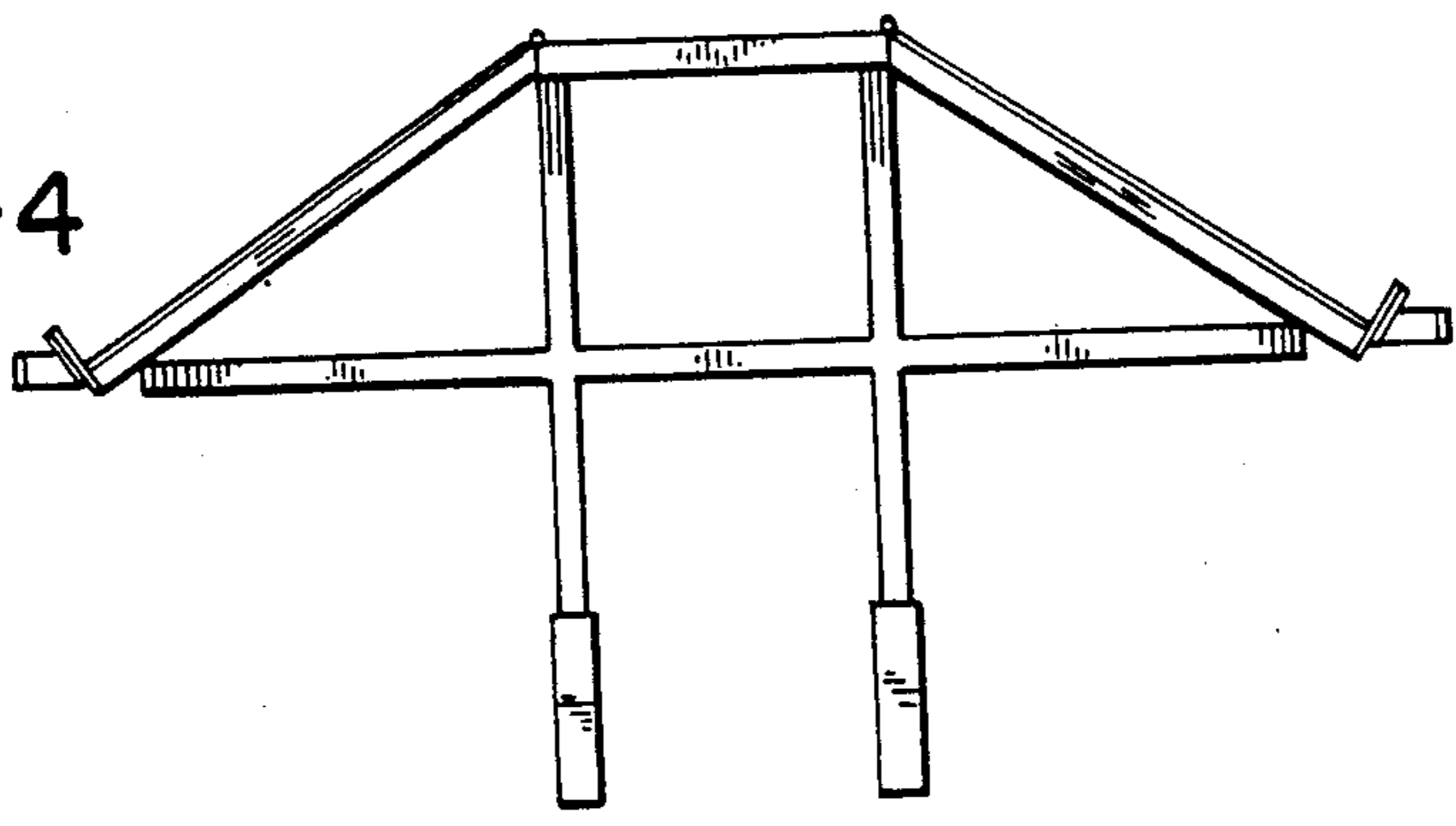


FIG-5

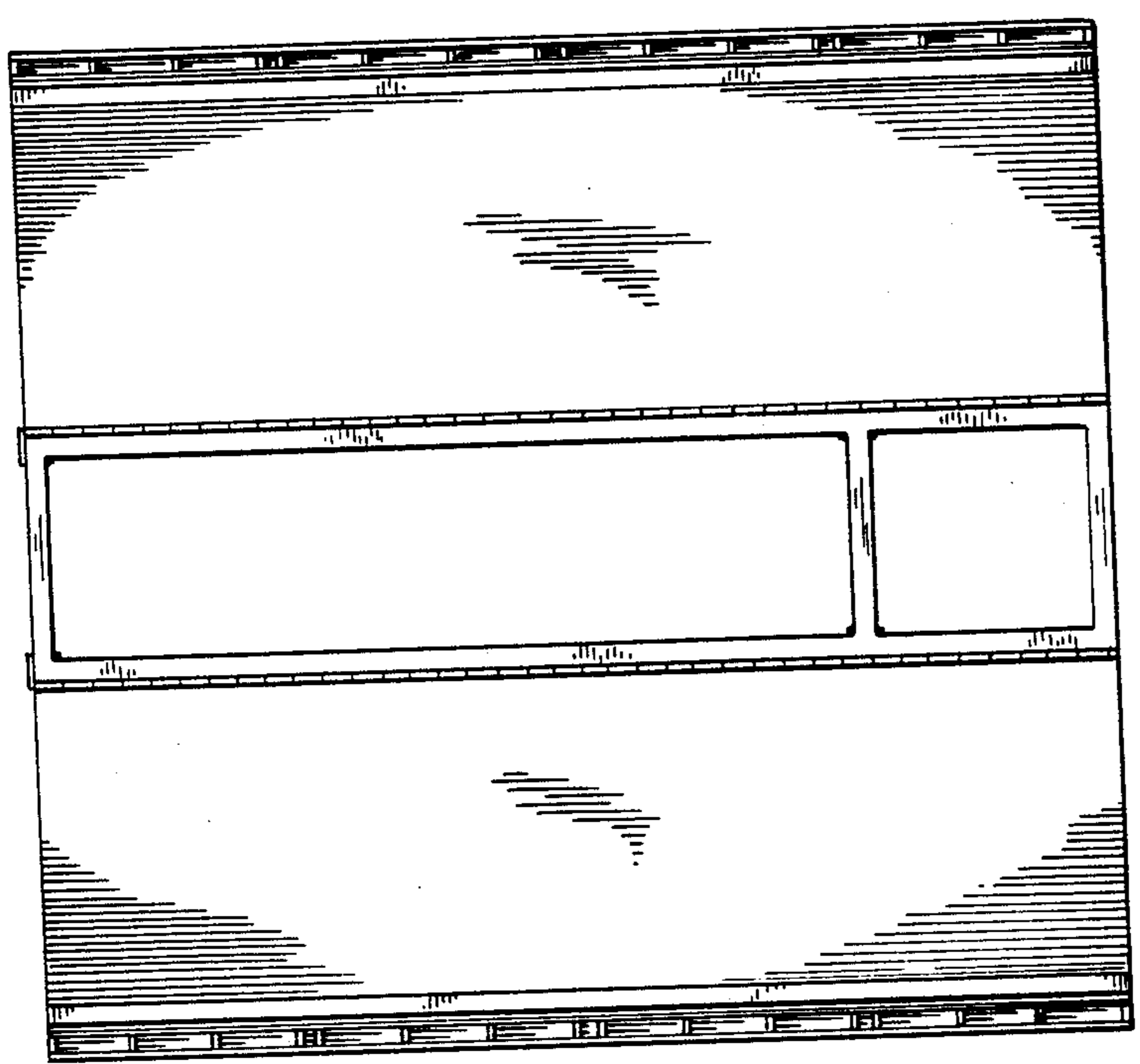


FIG-6

