

United States Patent [19]

Wise et al.

[11] Patent Number: **Des. 294,310**

[45] Date of Patent: **** Feb. 23, 1988**

[54] **INFANT AUTOMOBILE SEAT**

[75] Inventors: **Robert D. Wise, Akron; Paul K. Meeker, Kent, both of Ohio**

[73] Assignee: **Gerber Products Company, Fremont, Mich.**

[**] Term: **14 Years**

[21] Appl. No.: **783,898**

[22] Filed: **Oct. 3, 1985**

[52] U.S. Cl. **D6/333**

[58] Field of Search **D6/333, 334, 344, 367; 297/377, 384, 454, 455, 488**

[56] **References Cited**

U.S. PATENT DOCUMENTS

D. 287,670 1/1987 Kassai D6/333
3,171,687 3/1965 Jensen D6/367 X

3,910,634 10/1975 Morris 297/384
3,934,934 1/1976 Farrell, Jr. et al. 297/384
3,976,328 8/1976 Stahel 297/377
4,580,842 4/1986 Segal 297/488

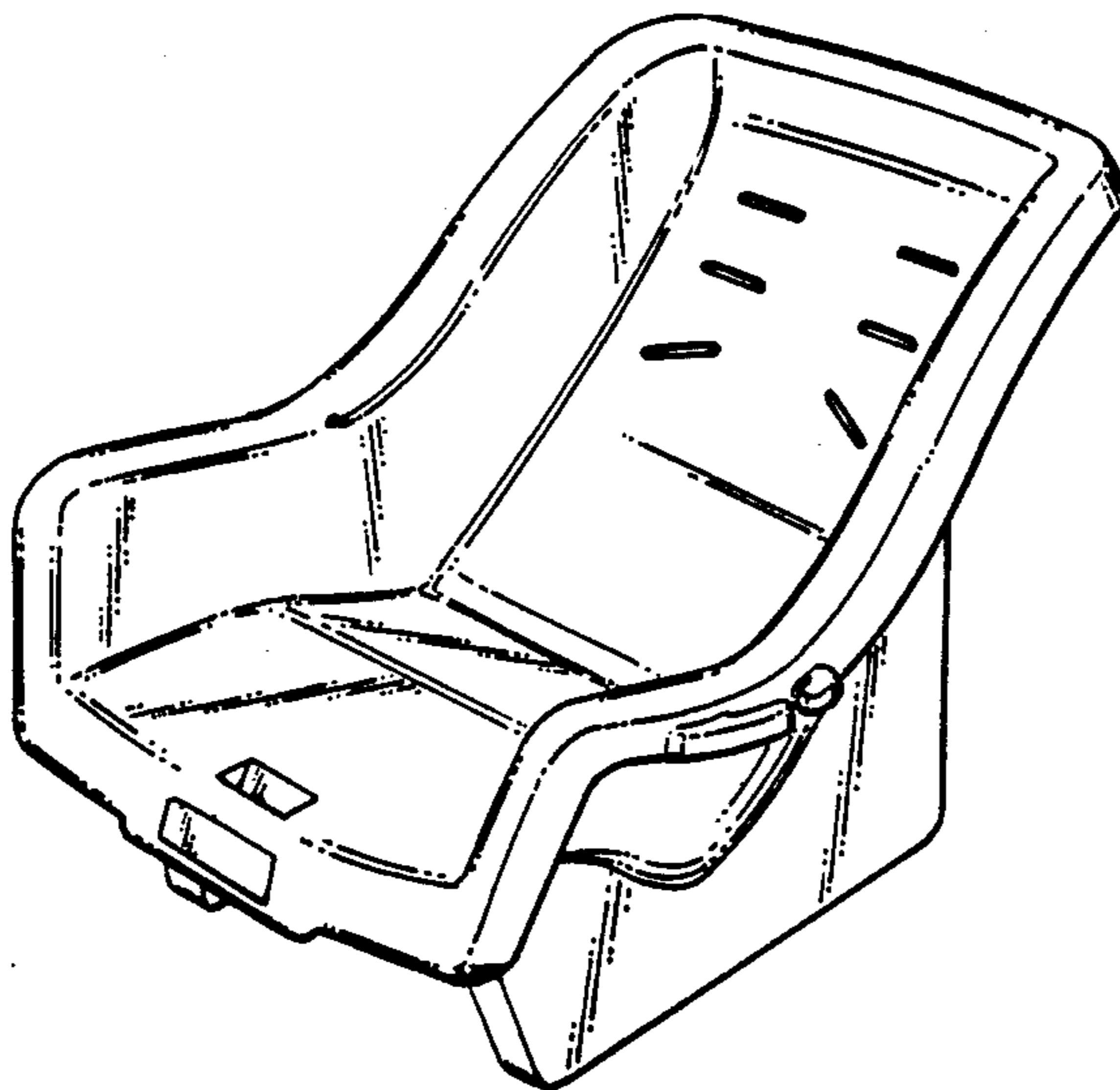
Primary Examiner—Bruce W. Dunkins
Attorney, Agent, or Firm—Townsend and Townsend

[57] **CLAIM**

The ornamental design for an infant automobile seat, as shown and described.

DESCRIPTION

FIG. 1 is a front perspective view of an infant automobile seat, showing our design;
FIG. 2 is a top plan view;
FIG. 3 is a front elevational view;
FIG. 4 is a right side elevational view, the left side elevational view being a mirror image thereof;
FIG. 5 is a rear elevational view; and
FIG. 6 is a bottom plan view thereof.



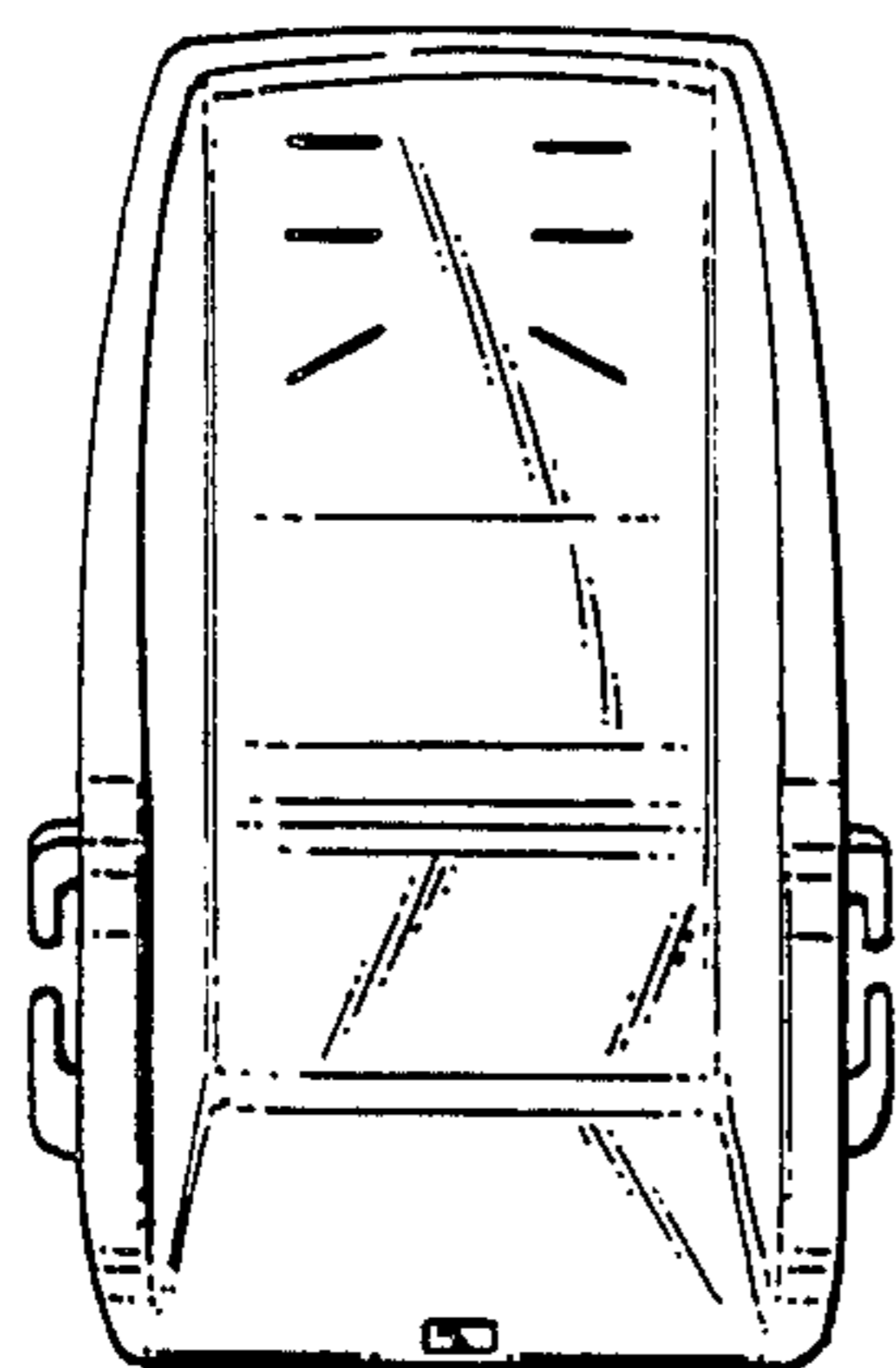


FIG. 2.

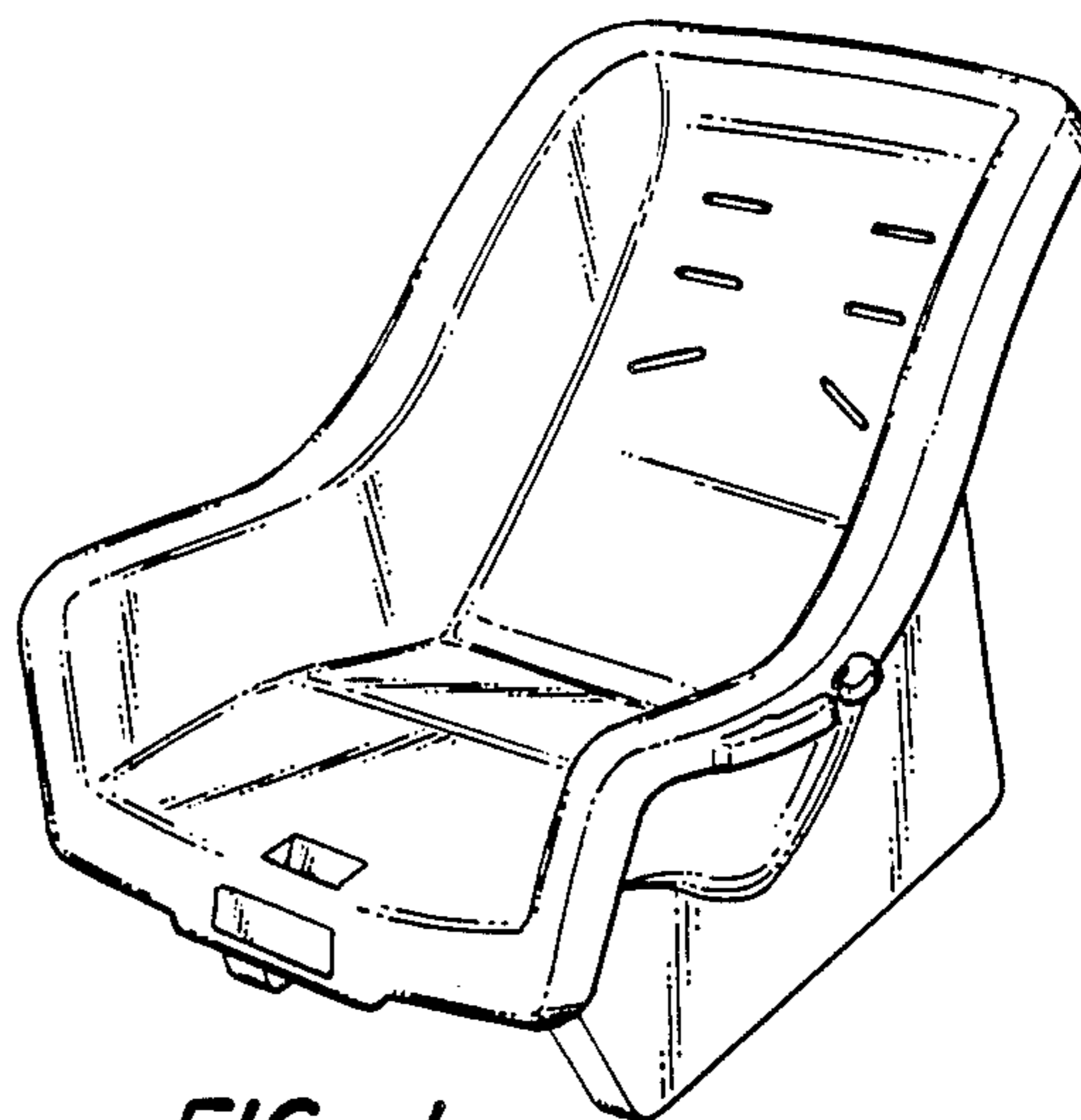


FIG. 1.

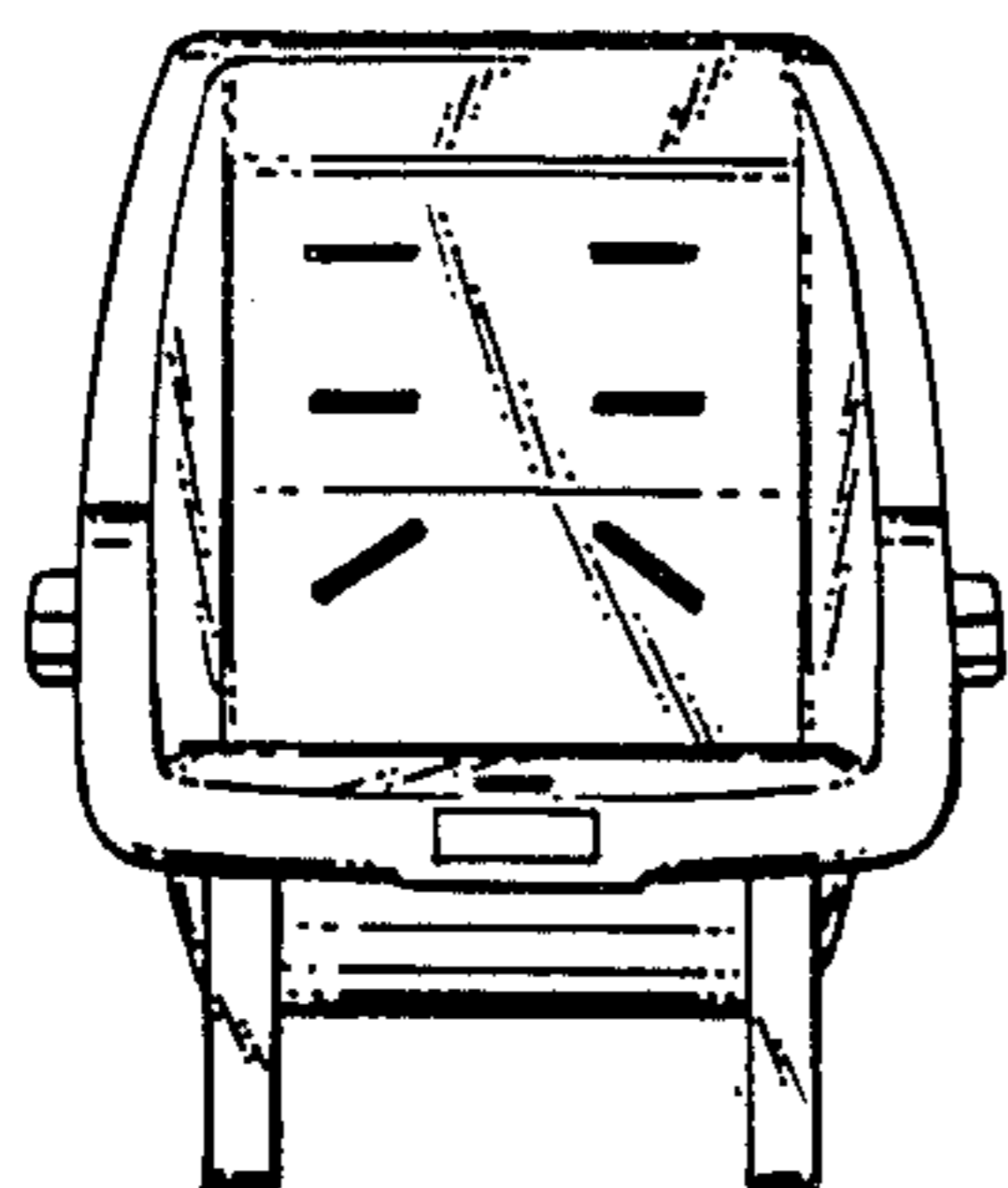


FIG. 3.

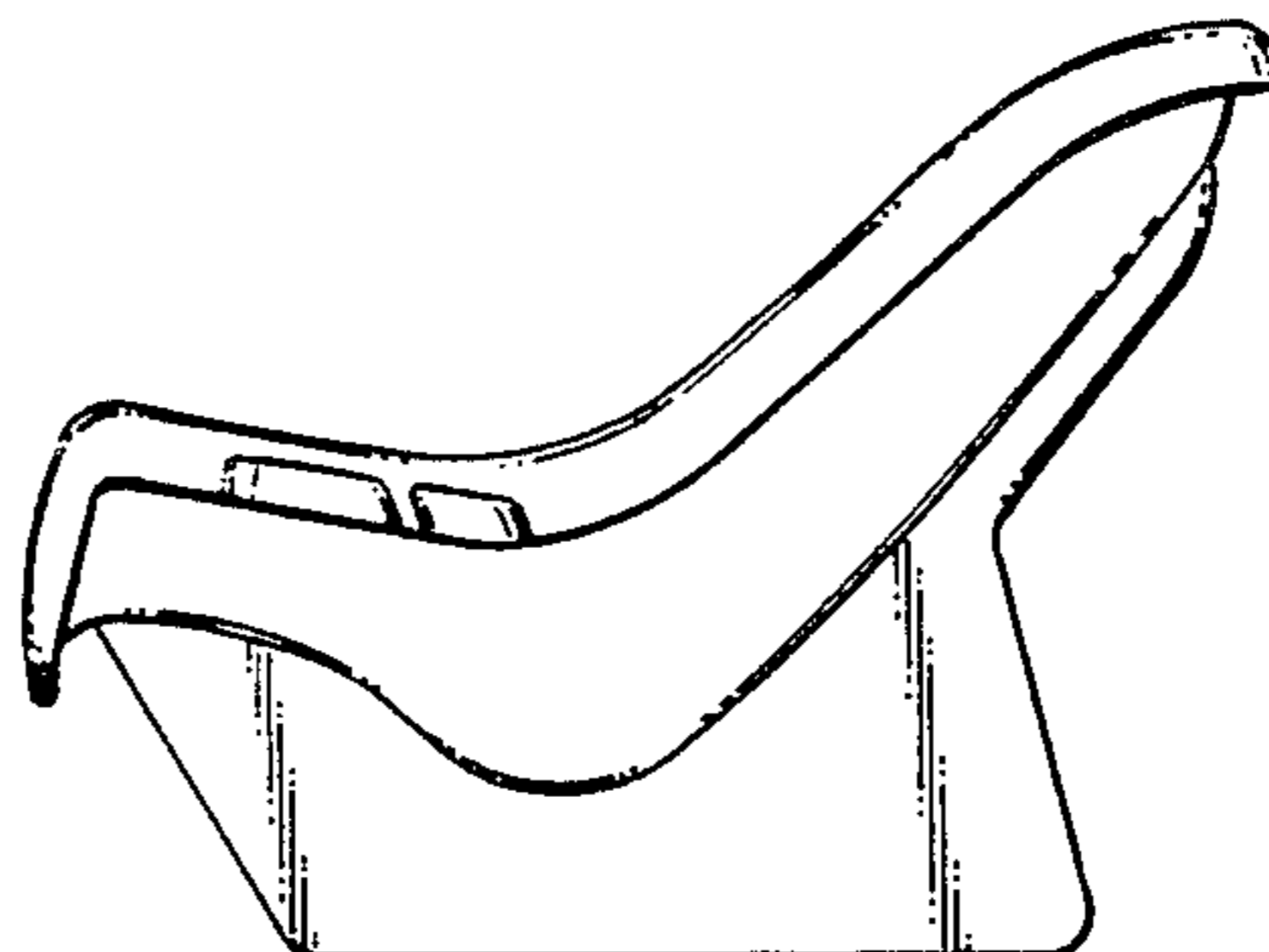


FIG. 4.

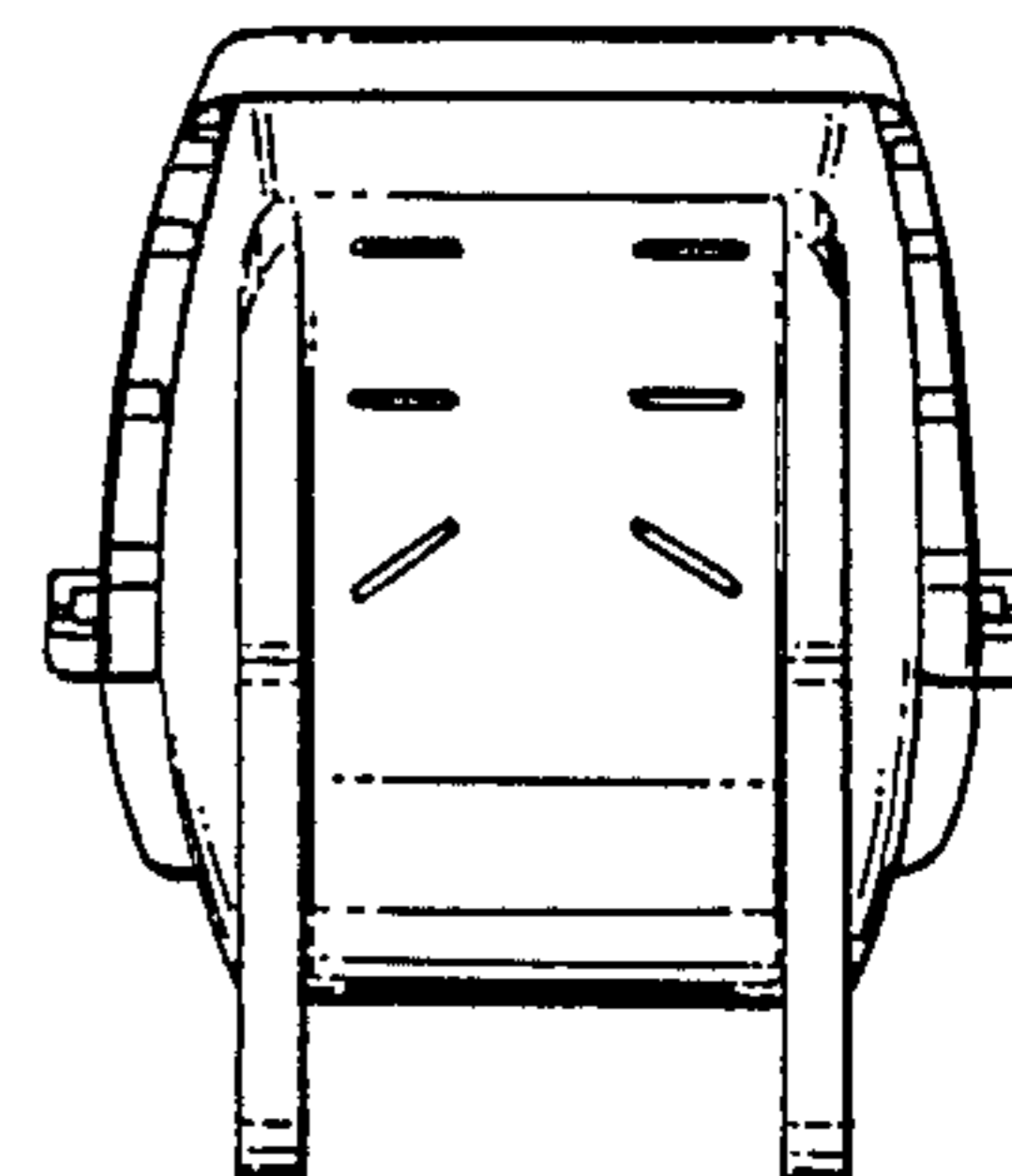


FIG. 5.

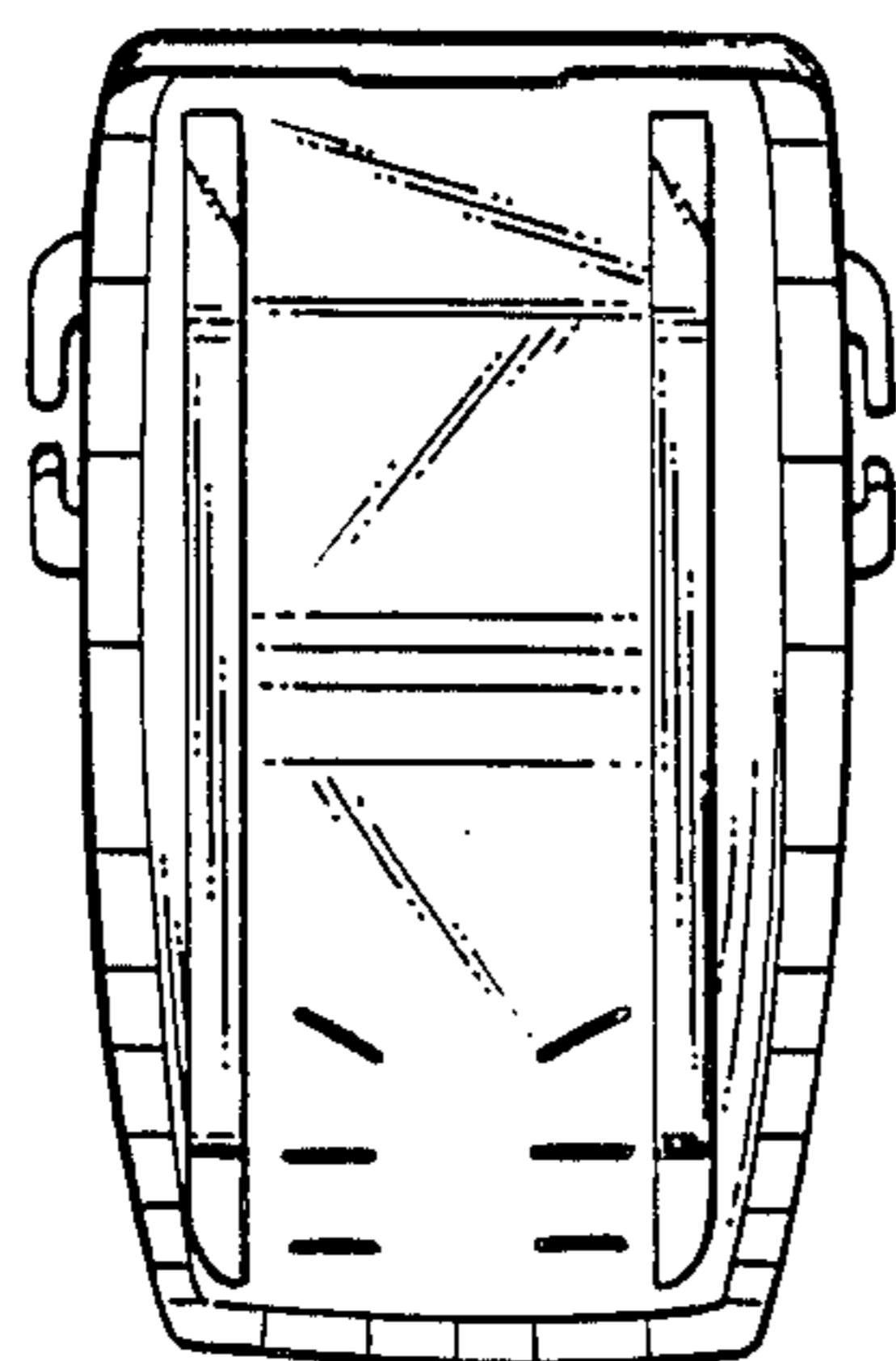


FIG. 6.