

[54] GARMET HOOK

[75] Inventor: Raymond U. H. Tegner, Lodi, Wis.

[73] Assignee: Amerock Corporation, Rockford, Ill.

[**] Term: 14 Years

[21] Appl. No.: 791,919

[22] Filed: Oct. 28, 1985

[52] U.S. Cl. D6/323; D8/367

[58] Field of Search D6/323; D8/350, 367; 248/301, 304

[56] References Cited

U.S. PATENT DOCUMENTS

- D. 69,811 4/1926 Auld D8/350
- D. 234,184 1/1975 Tegner .
- D. 239,068 3/1976 Read et al. D8/367

- D. 256,867 9/1980 Ryan et al. D6/323
- D. 264,426 5/1982 Einhorn D8/367

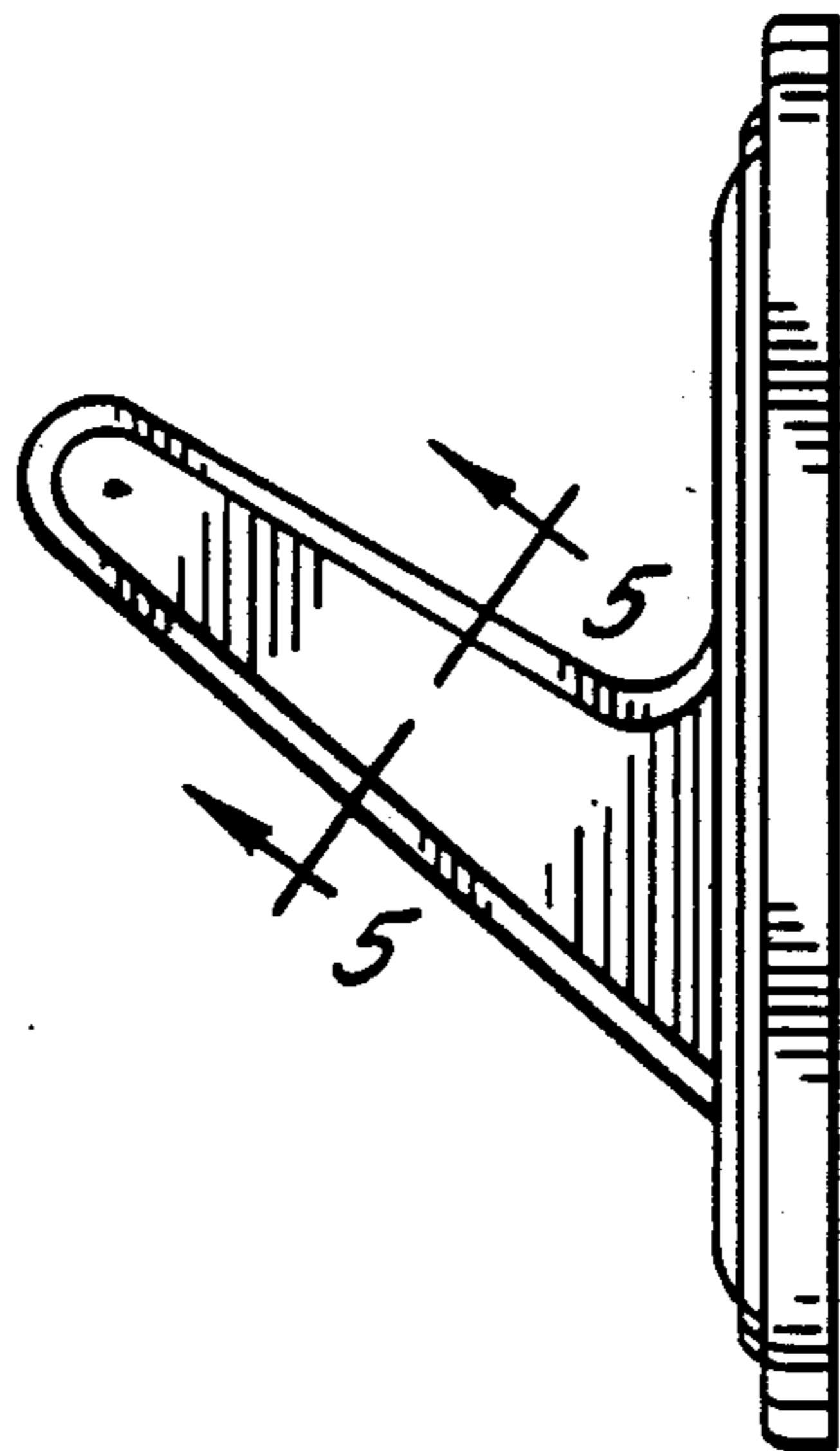
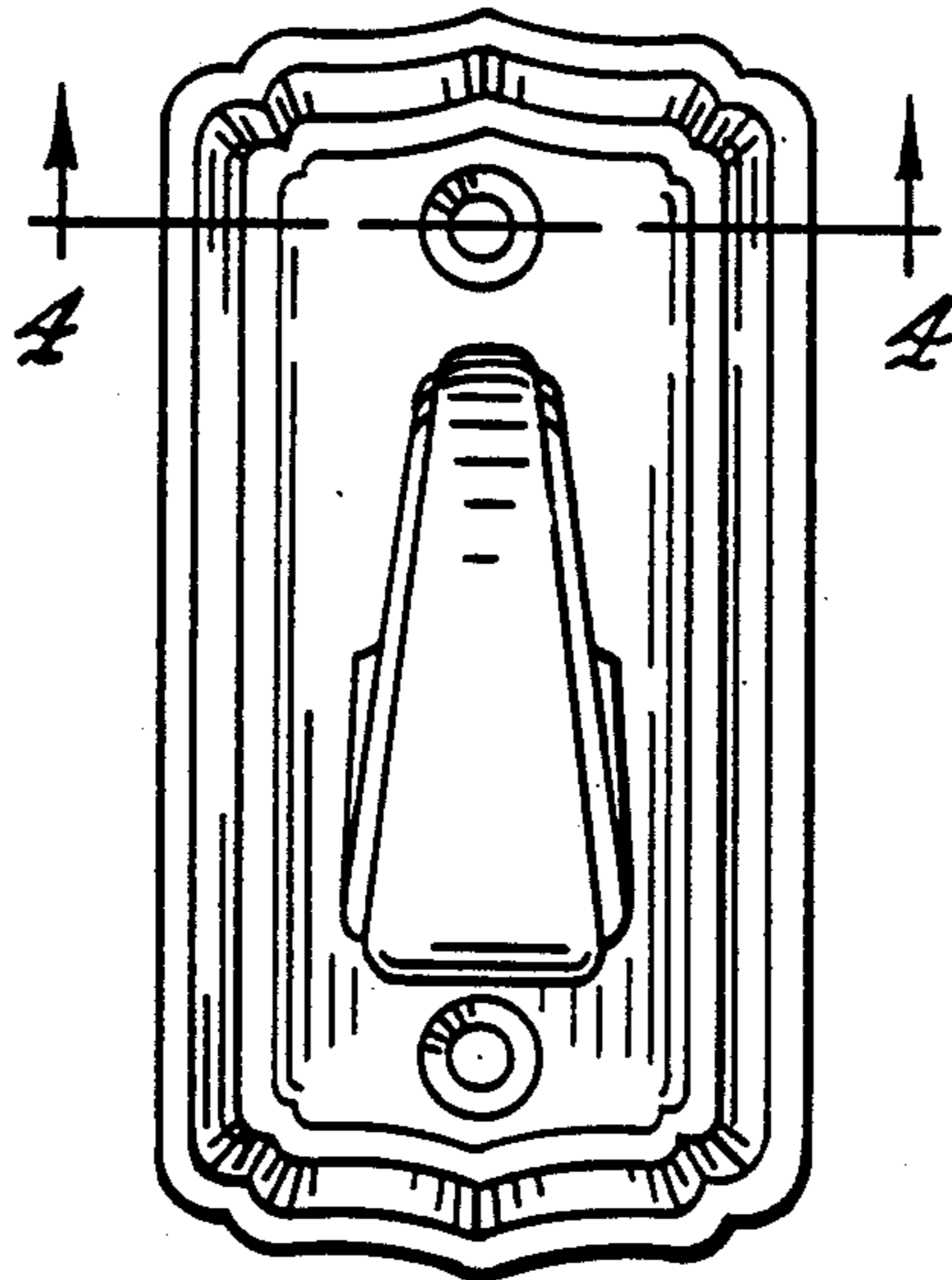
Primary Examiner—B. J. Bullock
Attorney, Agent, or Firm—Leydig, Voit & Mayer

[57] CLAIM

The ornamental design for a garment hook, as shown and described.

DESCRIPTION

FIG. 1 is a front view of a garment hook showing my new design;
 FIG. 2 is a side view of the garment hook as seen from the right of FIG. 1;
 FIG. 3 is a bottom plan view thereof;
 FIG. 4 is an enlarged sectional view taken in the direction of the arrows on line 4—4 of FIG. 1;
 FIG. 5 is an enlarged sectional view taken along the line 5—5 of FIG. 2.



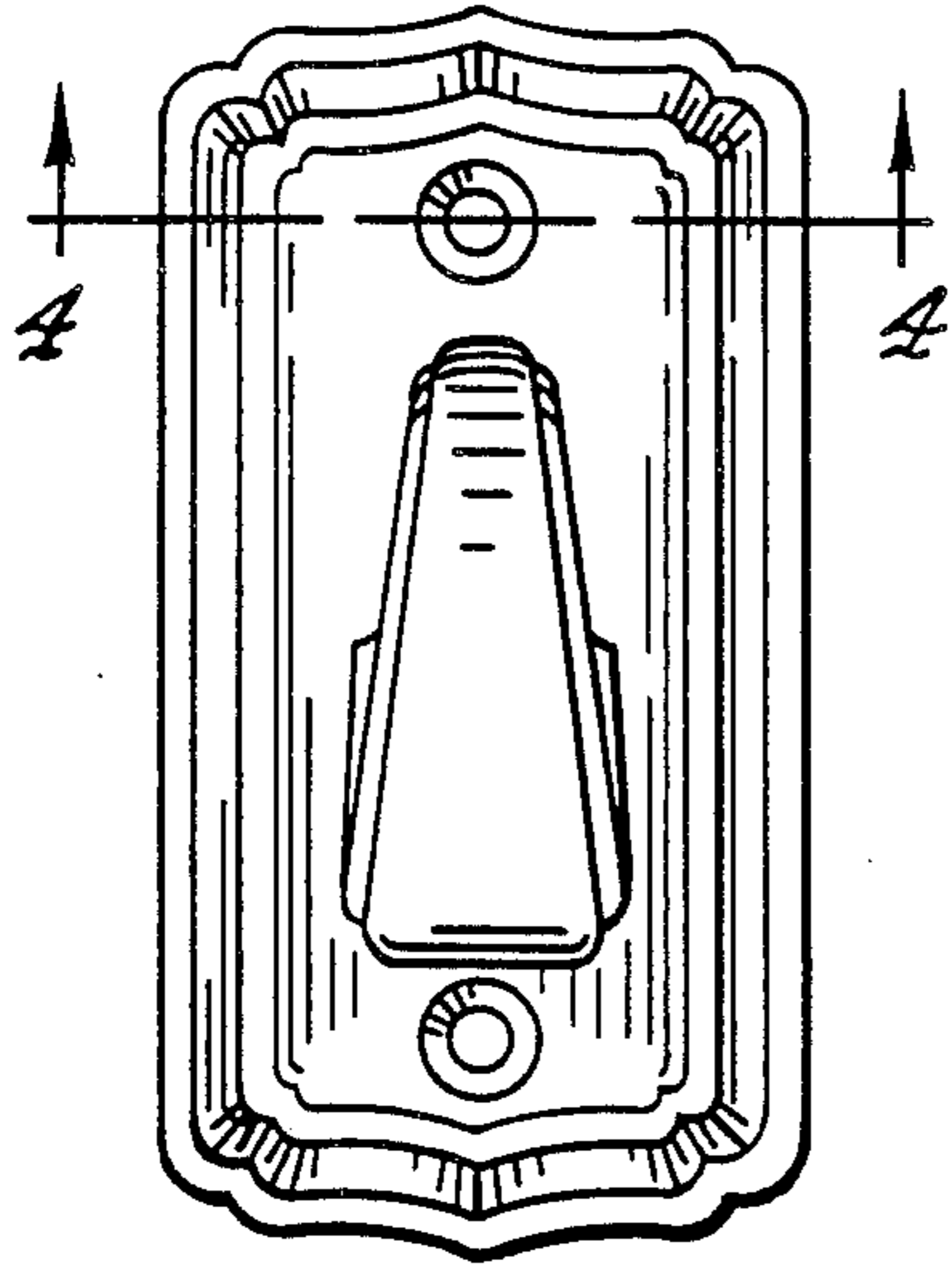


FIG. 1.

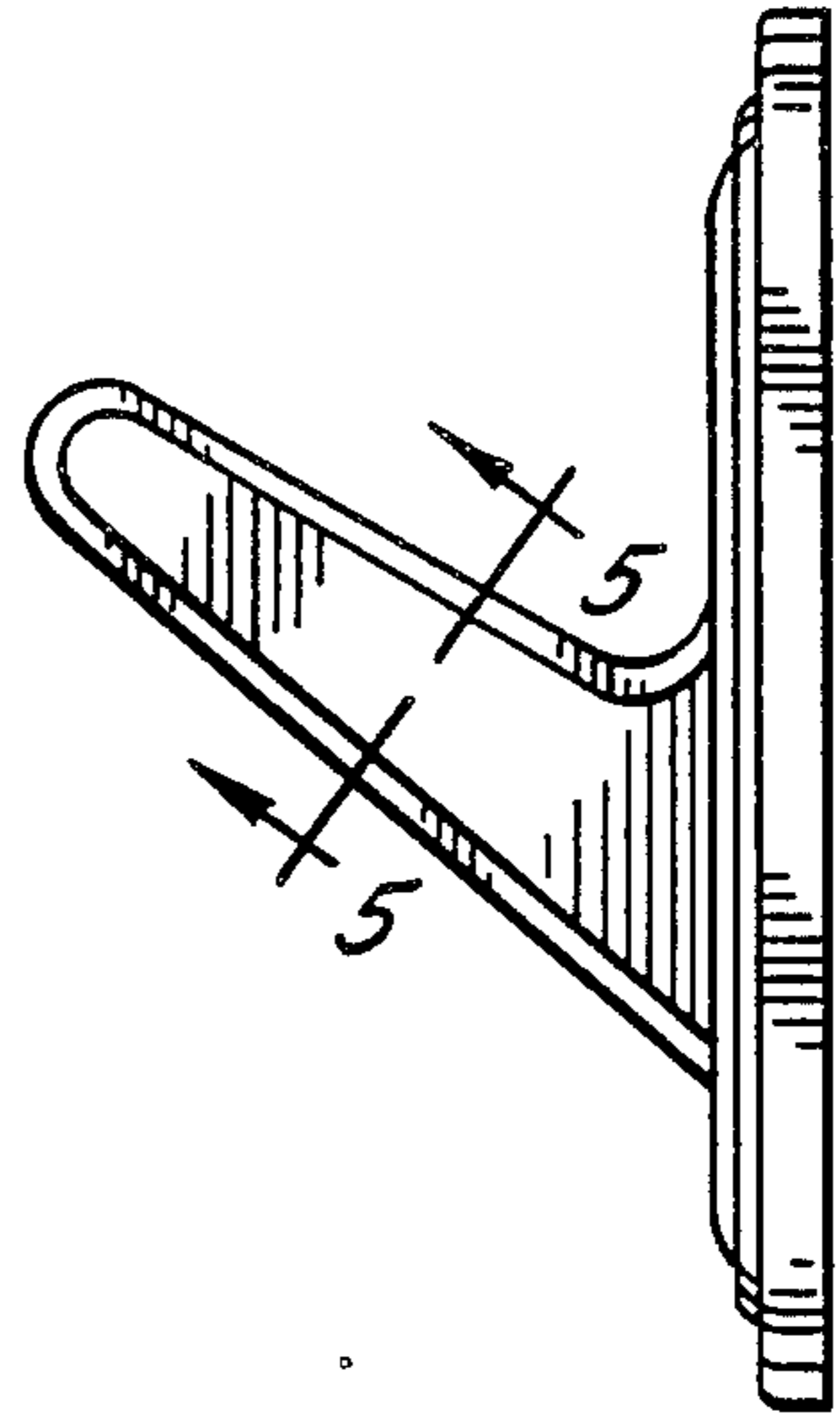


FIG. 2.

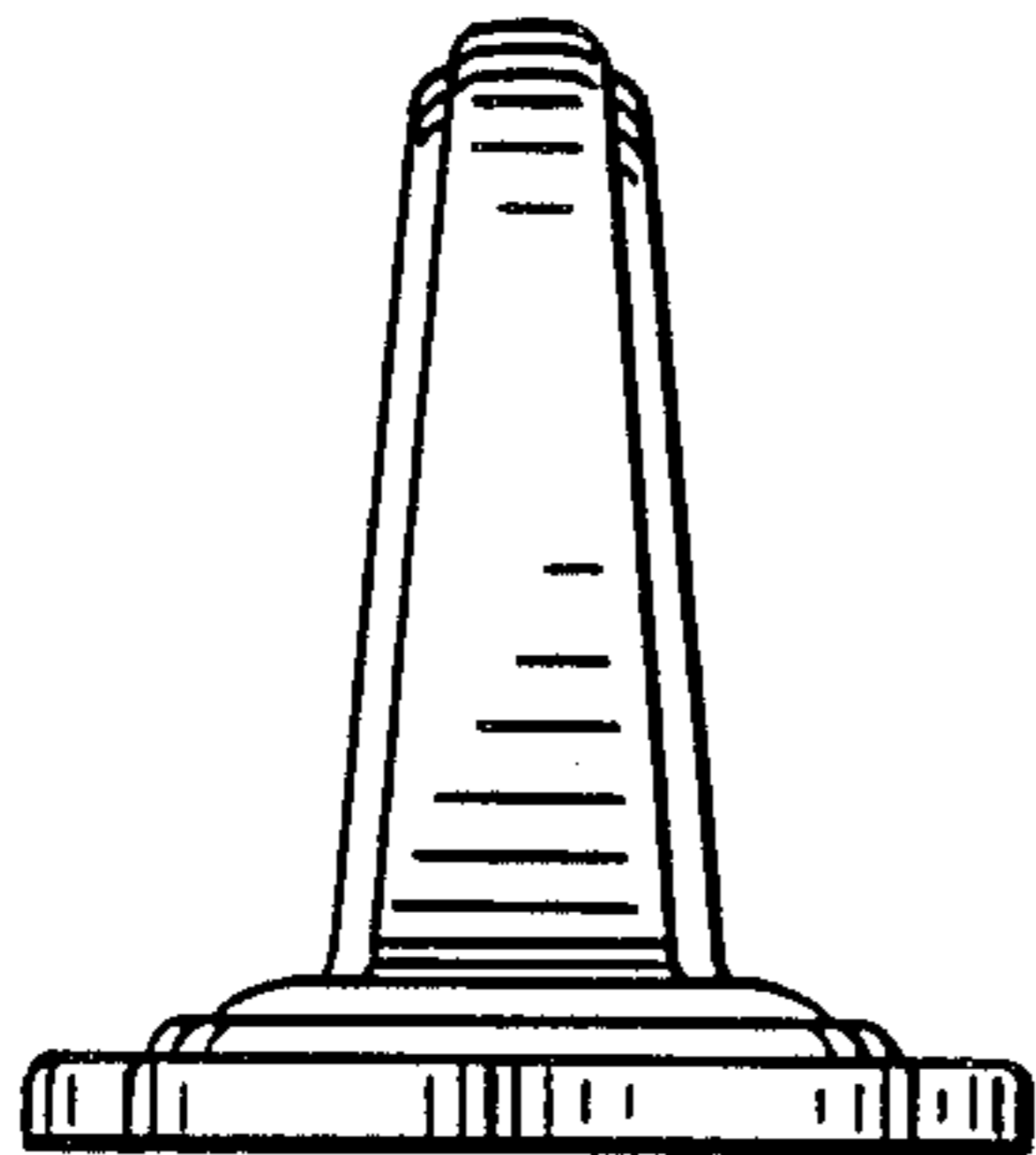


FIG. 3.

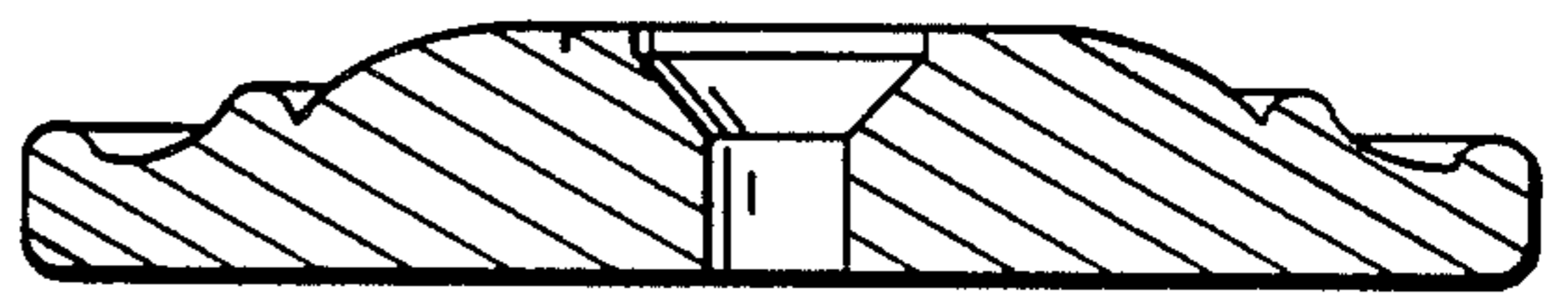


FIG. 4.

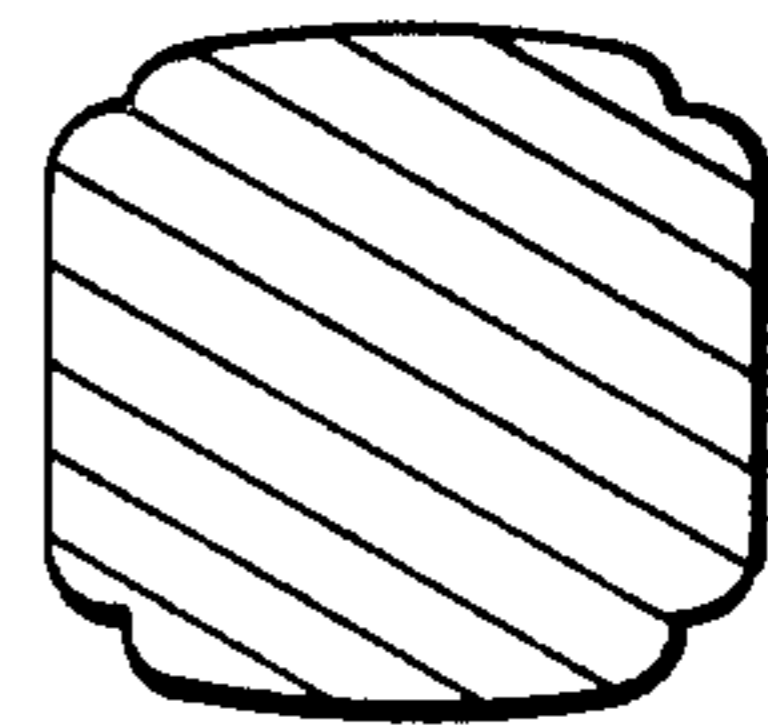


FIG. 5.