

[54] REAL ESTATE SIGN CADDY OR SIMILAR ARTICLE

Primary Examiner—George P. Word
Attorney, Agent, or Firm—George W. T. Loo

[76] Inventor: Diane C. Williams, 1480 Sebring St.,
Pomona, Calif. 91768

[57] CLAIM

[**] Term: 14 Years

The ornamental design for a real estate sign caddy or similar article, substantially as shown and described.

[21] Appl. No.: 738,391

DESCRIPTION

[22] Filed: May 28, 1985

[52] U.S. Cl. D3/74; D3/48;
D3/77

FIG. 1 is a front perspective of a real estate sign caddy showing my new design, with the hammer securing strap in an open position;

[58] Field of Search D3/30.1, 33, 35, 36,
D3/74, 75, 48, 78, 77; 190/100, 109, 110, 115;
150/52 R

FIG. 2 is a left elevational view thereof showing the open end of the caddy, with the hammer securing strap in closed position;

[56] References Cited

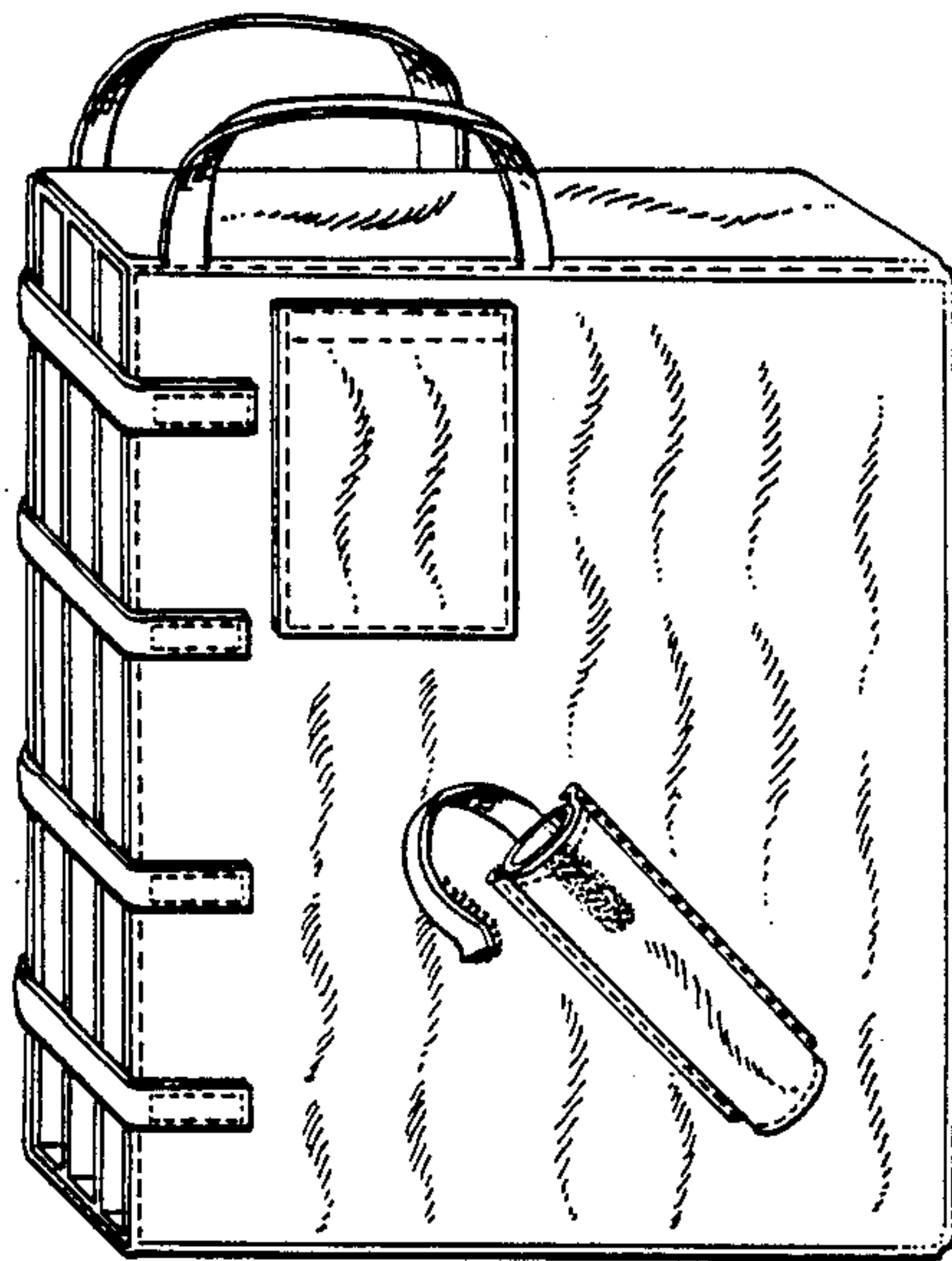
U.S. PATENT DOCUMENTS

D. 35,418	12/1901	Witt et al.	D3/74
D. 132,604	6/1942	Russell	D3/74
D. 135,726	5/1943	Morner	D3/77
D. 279,939	8/1985	Richardson et al.	D3/48
D. 287,305	12/1986	Brown	D3/30.1
D. 291,745	9/1987	Hansen	D3/77

FIG. 3 is a bottom plan view thereof, without the hammer securing strap;

FIG. 4 is a rear perspective view thereof, with real estate sign inserts partly extended in staggered formation from open end of caddy and bag securing straps in open position; and

FIG. 5 is a partial front perspective view thereof, with utility pocket in open position and tube insert partly extended from hammer holder.



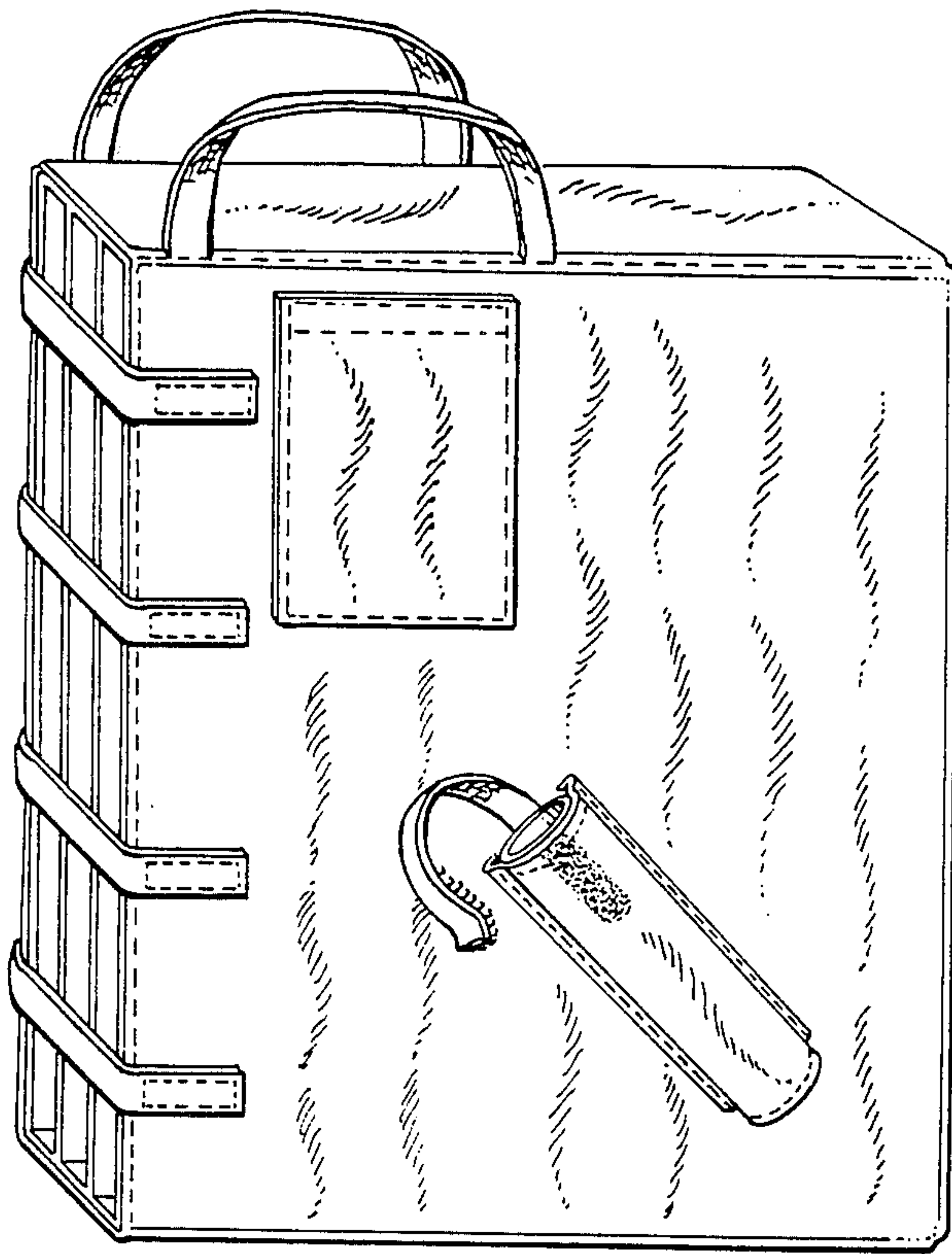


FIG. 1

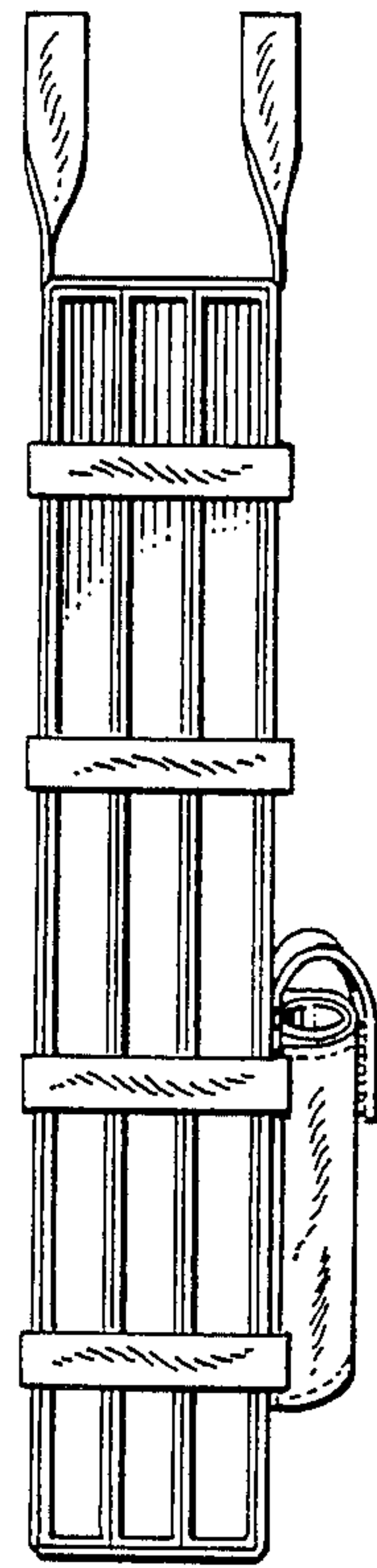


FIG. 2

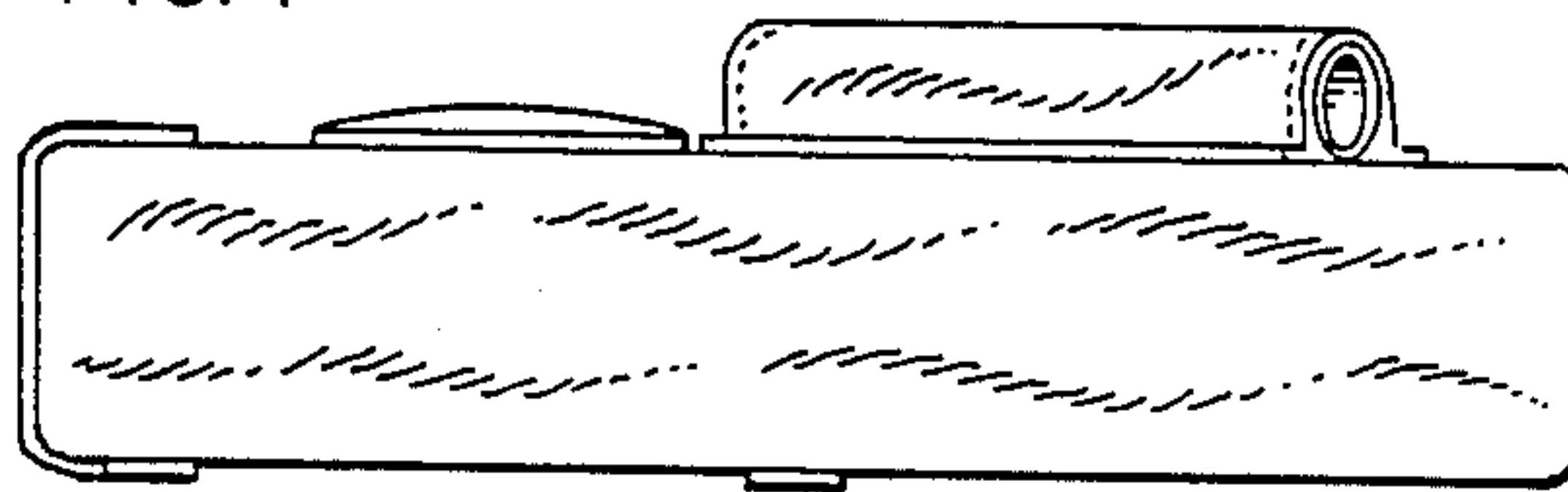


FIG. 3

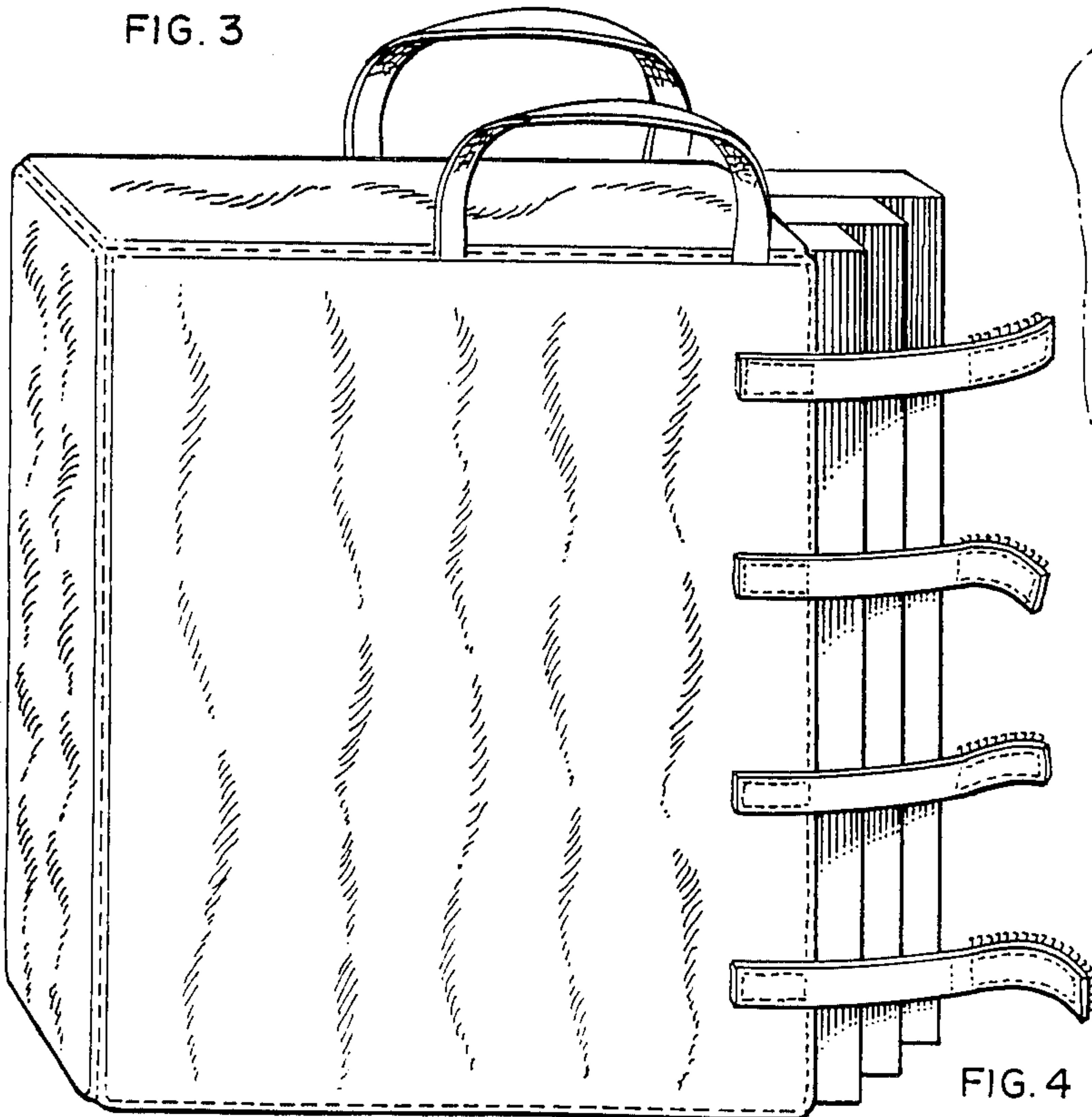


FIG. 4

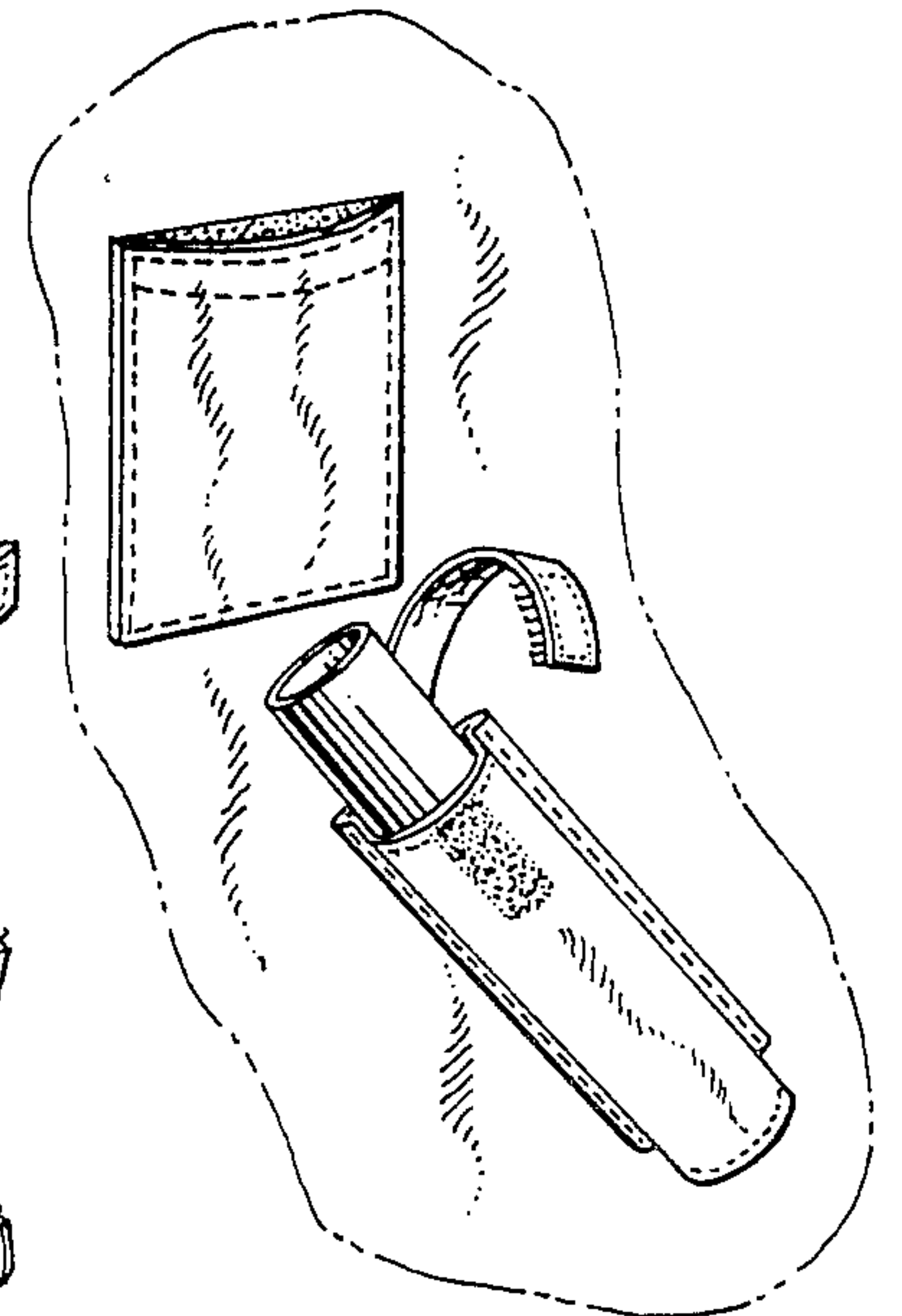


FIG. 5