

[54] **CARTRIDGE FOR SURGICAL FASTENER  
 APPLYING APPARATUS**

[75] **Inventor: David T. Green, Norwalk, Conn.**

[73] **Assignee: United States Surgical Corporation,  
 Norwalk, Conn.**

[\*\*] **Term: 14 Years**

[21] **Appl. No.: 786,331**

[22] **Filed: Oct. 10, 1985**

[52] **U.S. Cl. .... D24/27**

[58] **Field of Search ..... D24/27, 26, 29;  
 128/305, 334 R; 227/19, 83, 109, 110, 124,  
 DIG. 1; 206/339**

4,402,444	9/1983	Green	.....	227/19
4,402,445	9/1983	Green	.....	227/19
4,415,112	11/1983	Green	.....	227/19
4,506,670	3/1985	Crossley	.....	128/334
4,506,671	3/1985	Green	.....	128/334
4,508,253	4/1985	Green	.....	227/19
4,522,327	6/1985	Korthoff et al.	.....	227/19

*Primary Examiner*—Susan J. Lucas  
*Assistant Examiner*—Stella M. Reid  
*Attorney, Agent, or Firm*—Thomas R. Bremer; Richard  
 D. Schmidt

[57] **CLAIM**

The ornamental design for a cartridge for surgical fastener applying apparatus, substantially as shown and described.

[56] **References Cited**

**U.S. PATENT DOCUMENTS**

D. 253,612	12/1979	Jarvik et al.	.....	D24/27
D. 253,613	12/1979	Jarvik et al.	.....	D24/27
D. 271,714	12/1983	Green	.....	D24/27
D. 271,796	12/1983	Green	.....	D24/27
D. 272,279	1/1984	Green	.....	D24/27
D. 282,487	2/1986	Green	.....	D24/26
D. 286,440	10/1986	Green	.....	D24/27
3,275,211	9/1966	Hirsch et al.	.....	227/124
3,315,863	4/1967	O'Dea	.....	227/19
3,604,561	9/1971	Mallina et al.	.....	206/339
4,108,306	8/1978	Samuels et al.	.....	206/339
4,294,355	10/1981	Jewusiak et al.	.....	206/339
4,344,531	8/1982	Giersch	.....	206/339
4,354,628	10/1982	Green	.....	227/19
4,383,634	5/1983	Green	.....	227/19

**DESCRIPTION**

FIG. 1 is a perspective view of a cartridge for surgical fastener applying apparatus showing my design;  
 FIG. 2 is another perspective view of the device of FIG. 1 as seen from an angle rotated approximately 90° from that shown in FIG. 1;  
 FIG. 3 is a side elevational view of the cartridge shown in FIGS. 1 and 2;  
 FIG. 4 is an end elevational view as seen from the right of FIG. 3;  
 FIG. 5 is an end elevational view as seen from the left of FIG. 3;  
 FIG. 6 is a plan view as seen from the top of FIGS. 1 and 2; and  
 FIG. 7 is a plan view as seen from the bottom of FIGS. 1 and 2.

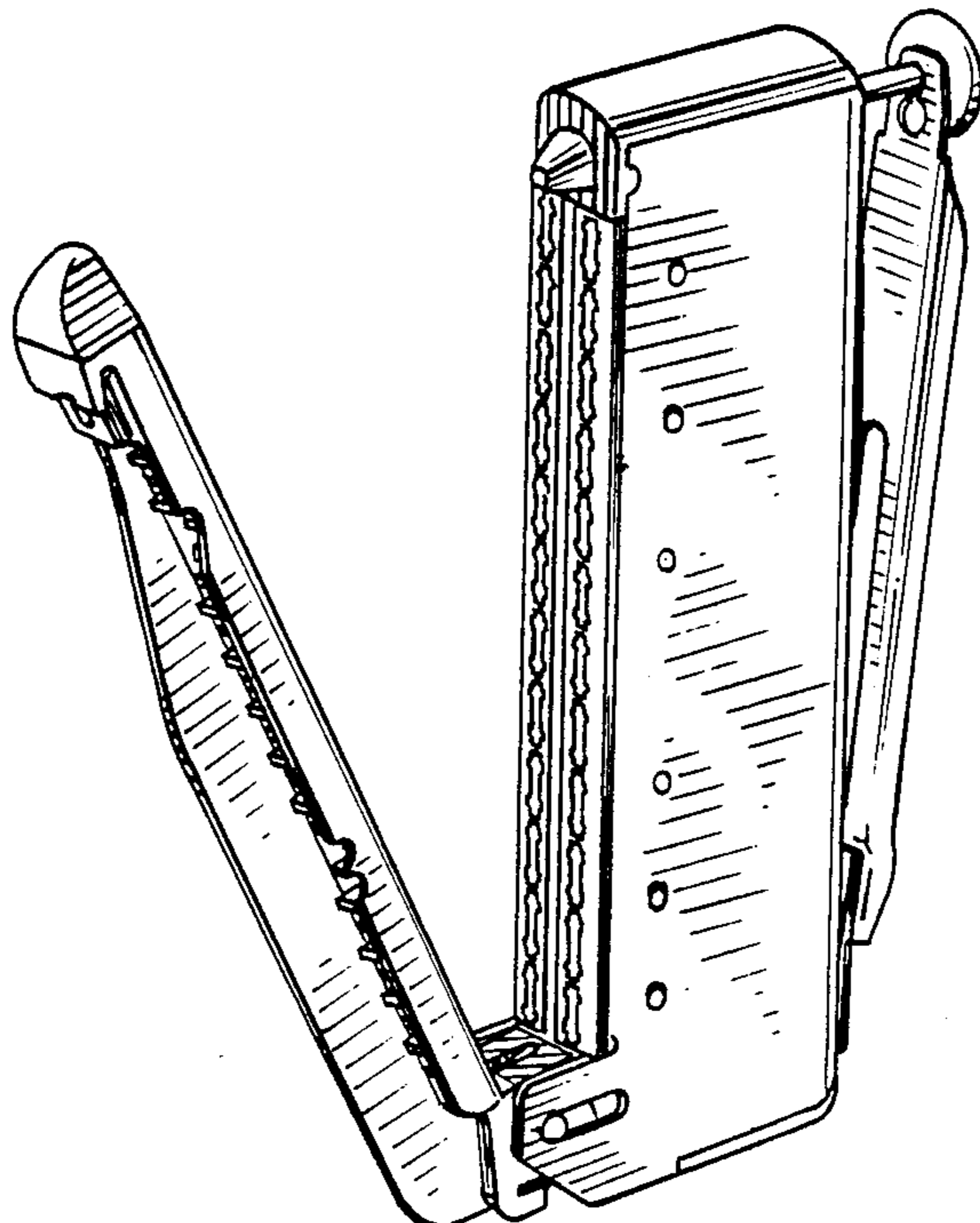


Fig. 1.

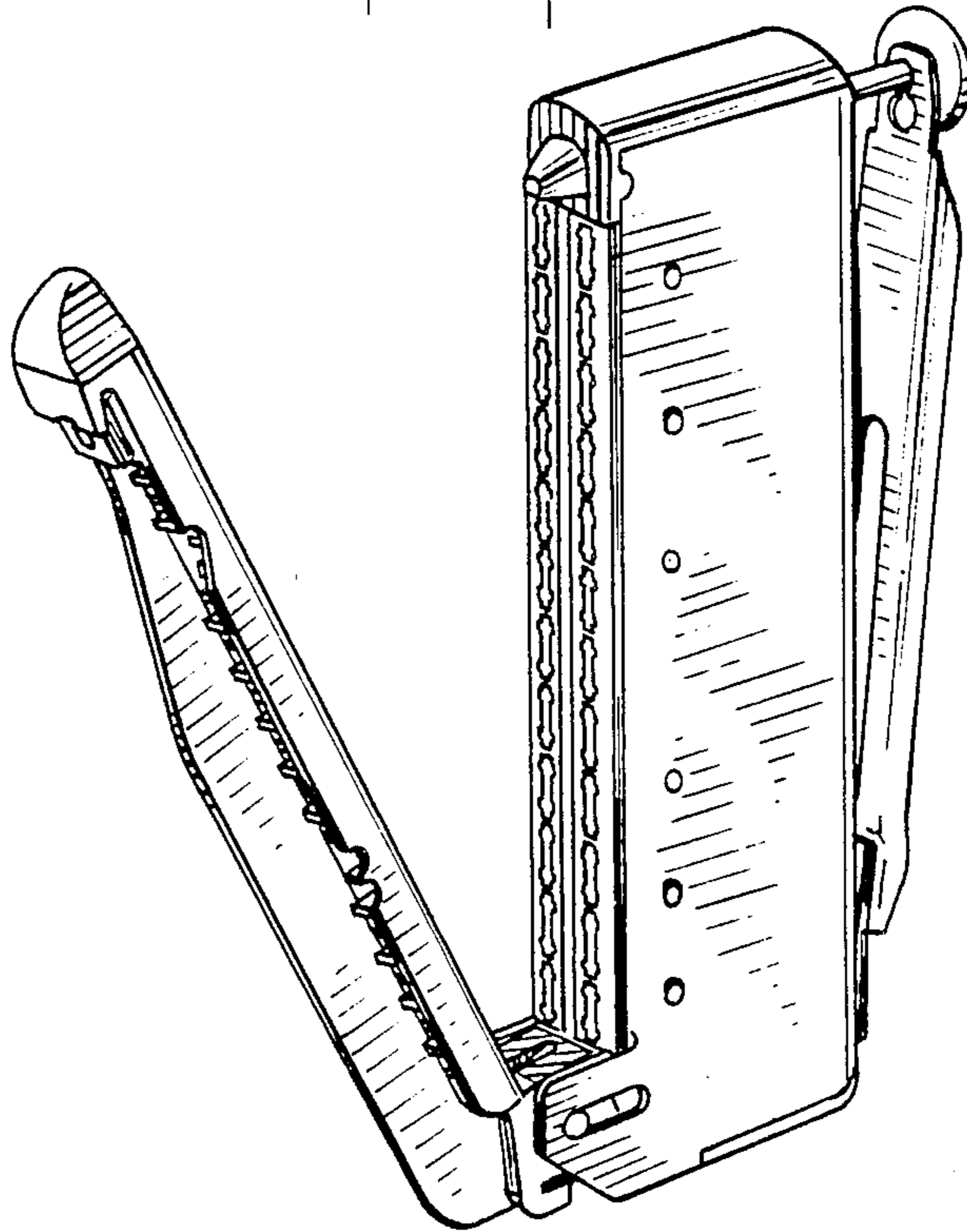


Fig. 6.



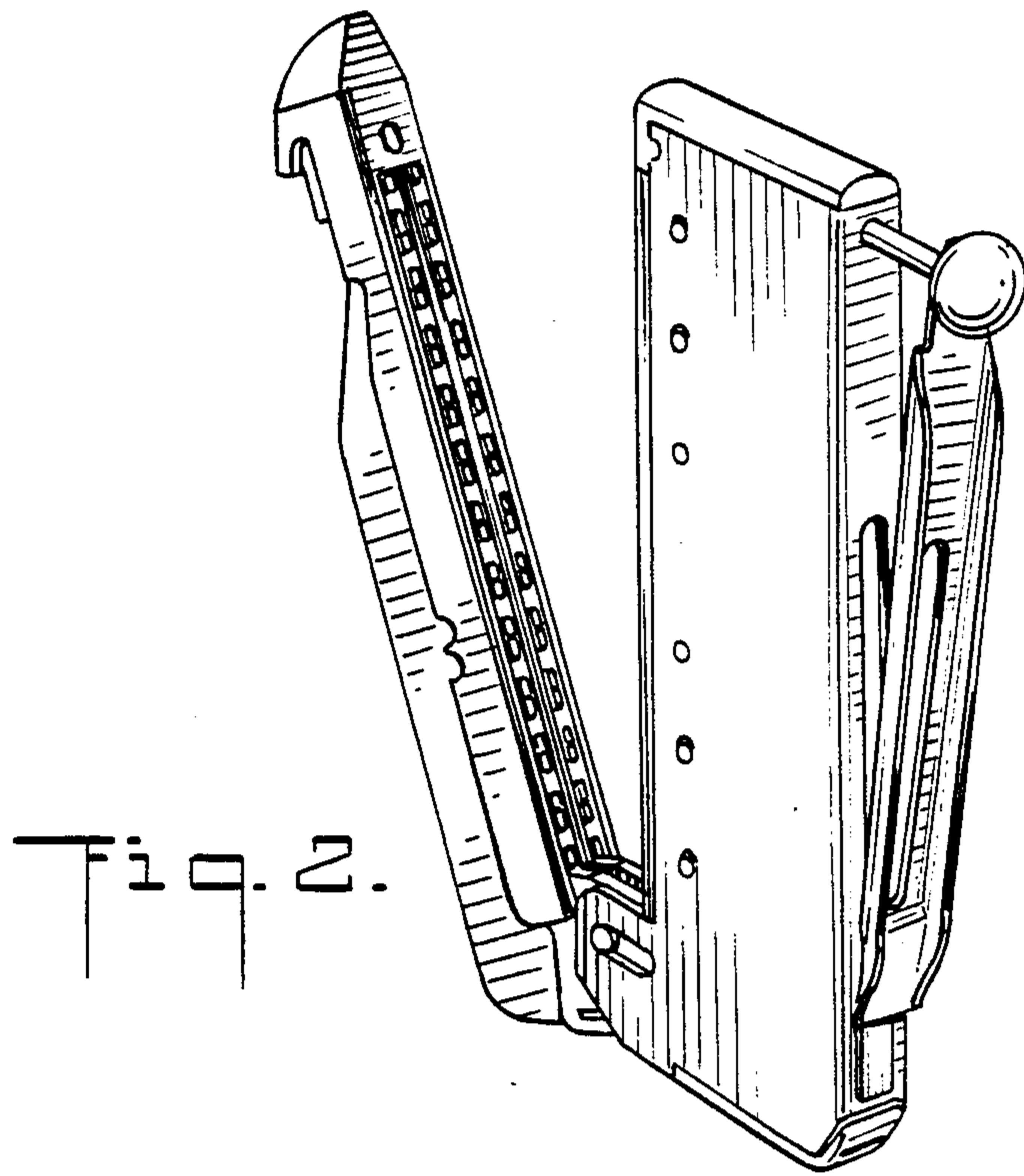


Fig. 7.



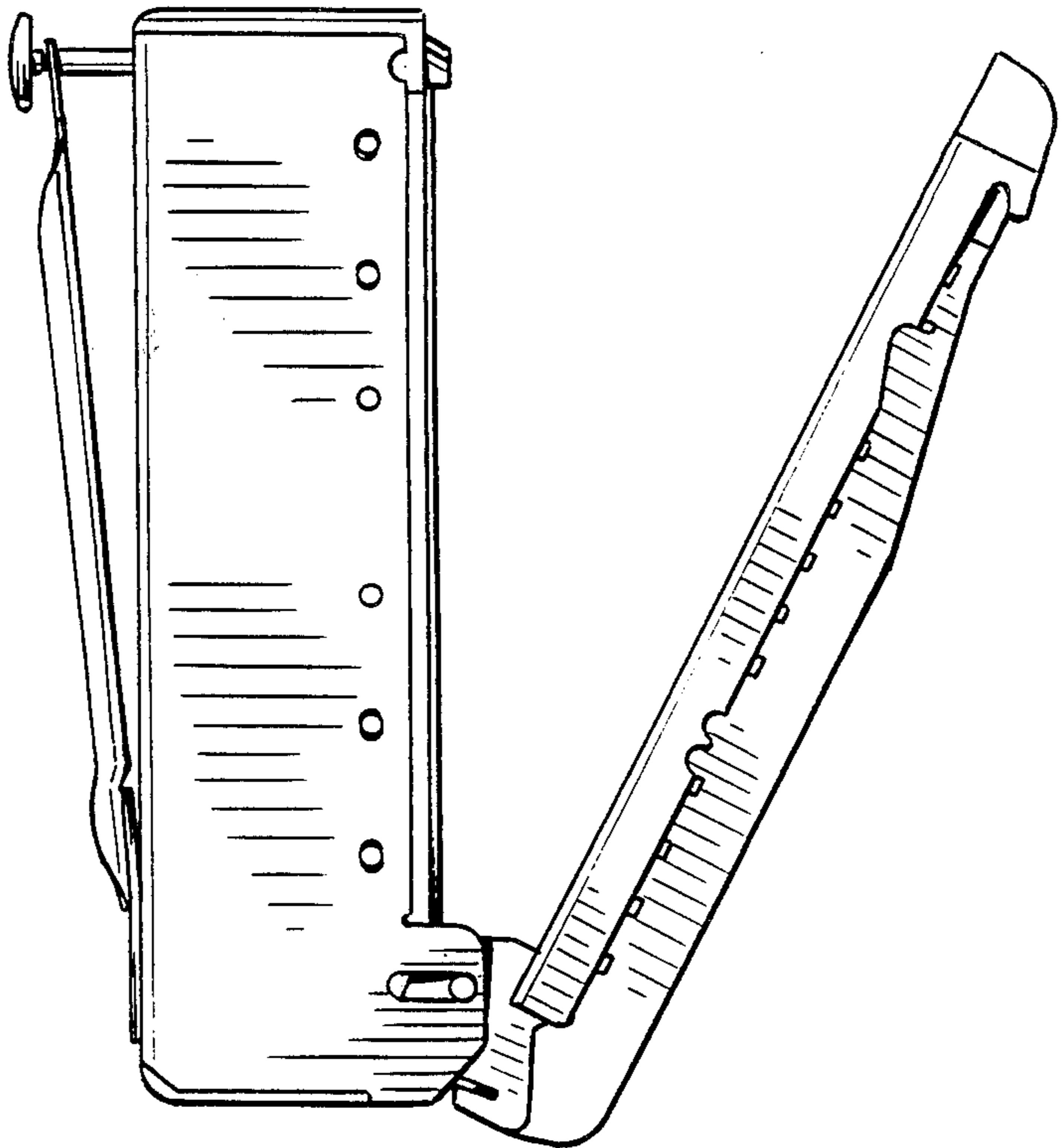


Fig. 3.



Fig. 4.

Fig. 5.

