

[54] **HUMIDIFIER**
[75] **Inventor: Akio Suzuki, Osaka, Japan**
[73] **Assignee: Sharp Corporation, Osaka, Japan**
[**] **Term: 14 Years**
[21] **Appl. No.: 935,535**
[22] **Filed: Nov. 26, 1986**
[30] **Foreign Application Priority Data**
May 26, 1986 [JP] Japan 61-20410
[52] **U.S. Cl. D23/356**
[58] **Field of Search D23/146-150;**
98/30, 105, 109; 55/122, 231; 219/271, 362;
239/136; 261/DIG. 4, DIG. 48, DIG. 65;
312/31

[56] **References Cited**
U.S. PATENT DOCUMENTS
D. 211,946 8/1968 Flury D23/146

D. 287,755 1/1987 Imai et al. D23/146
D. 288,596 3/1987 Young Se D23/146
D. 290,168 6/1987 Watanabe et al. D23/146
D. 290,499 6/1987 Griffis et al. D23/146

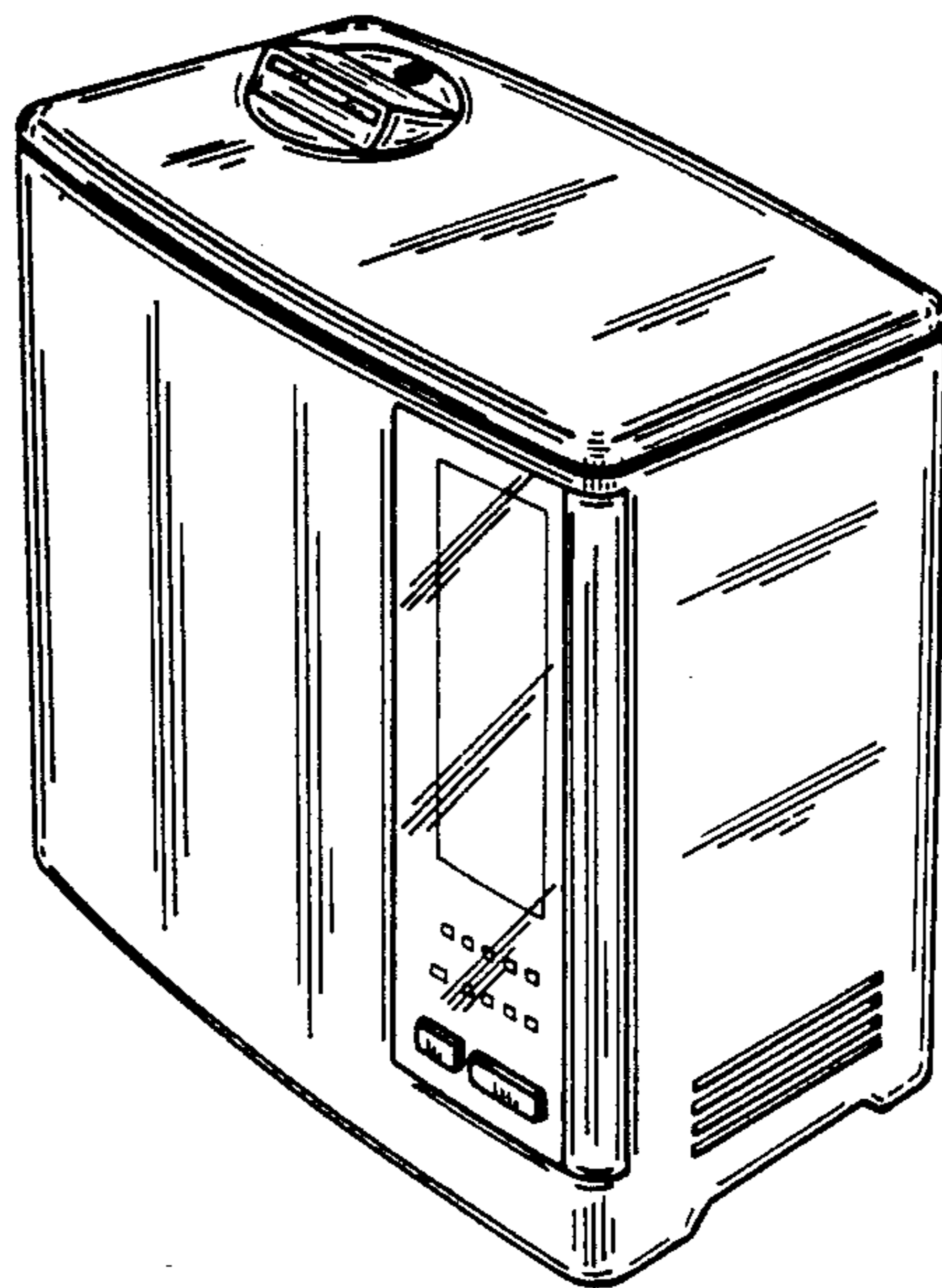
Primary Examiner—Wallace R. Burke
Assistant Examiner—Brian N. Vinson
Attorney, Agent, or Firm—Flehr, Hohbach, Test,
Albritton & Herbert

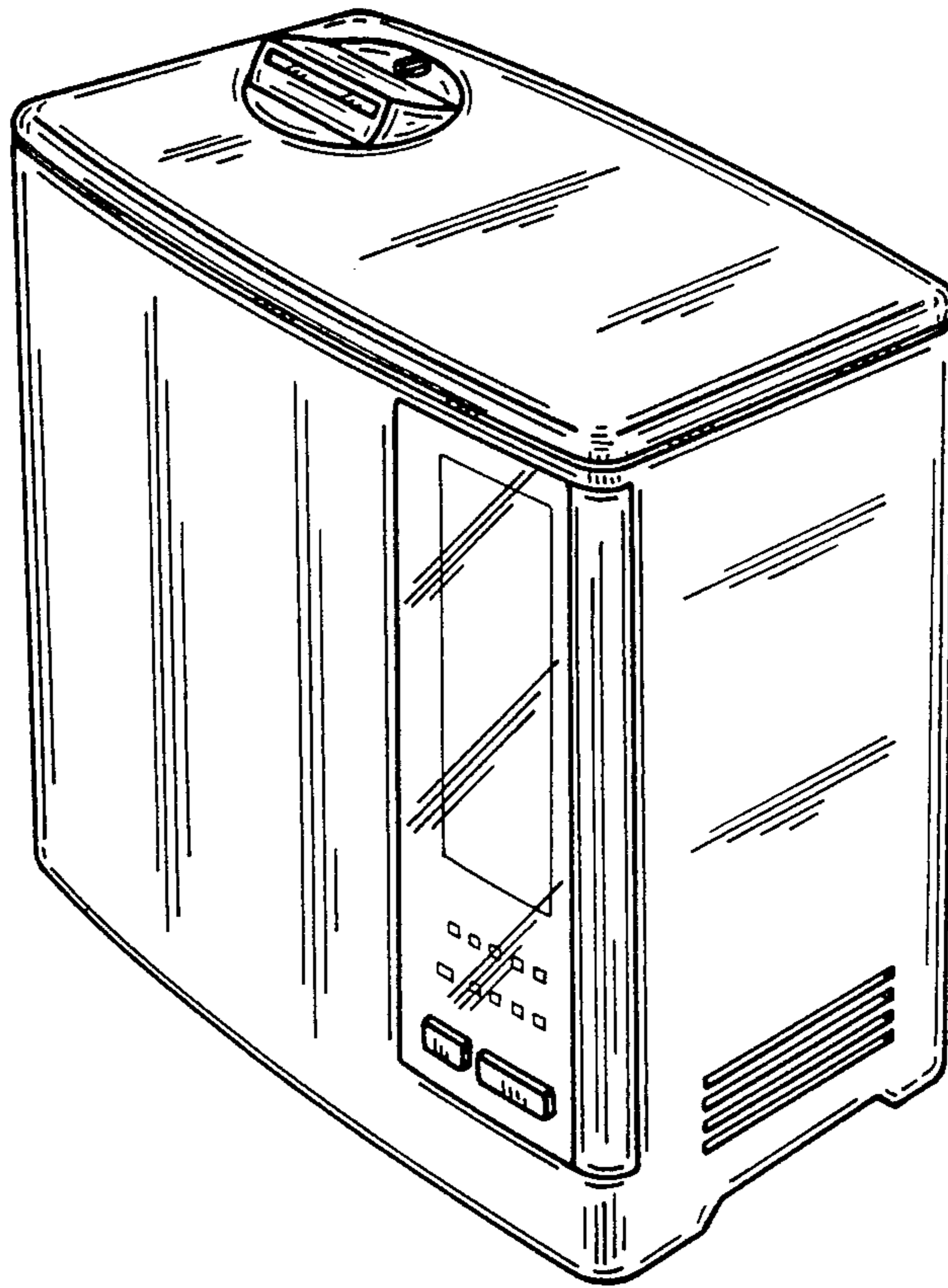
[57] **CLAIM**

The ornamental design for a humidifier, as shown and described.

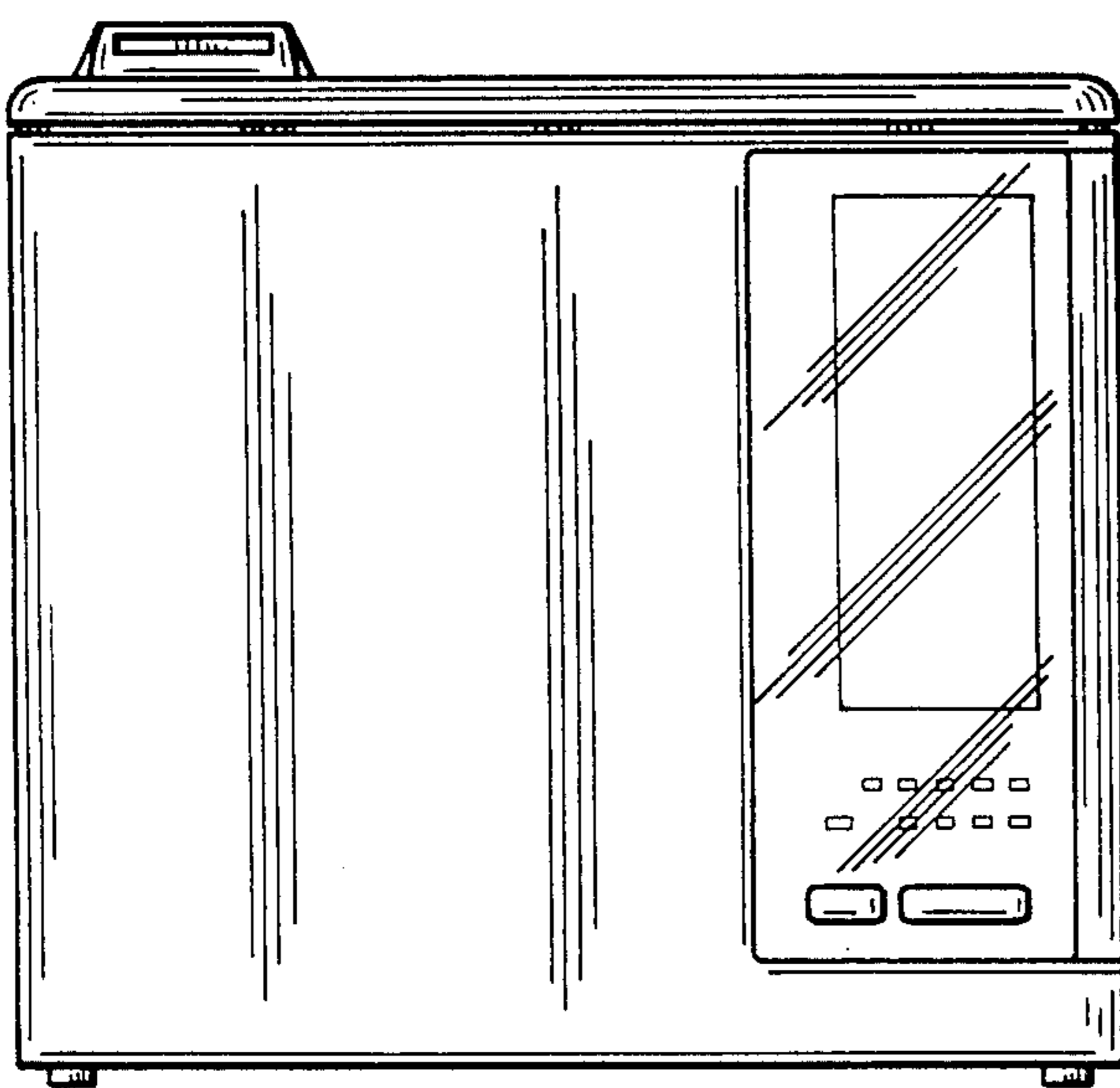
DESCRIPTION

FIG. 1 is a perspective view of a humidifier showing my new design;
FIG. 2 is a front elevational view thereof;
FIG. 3 is a rear elevational view thereof;
FIG. 4 is a top plan view thereof;
FIG. 5 is a bottom plan view thereof;
FIG. 6 is a right side elevational view thereof; and
FIG. 7 is a left side elevational view thereof.

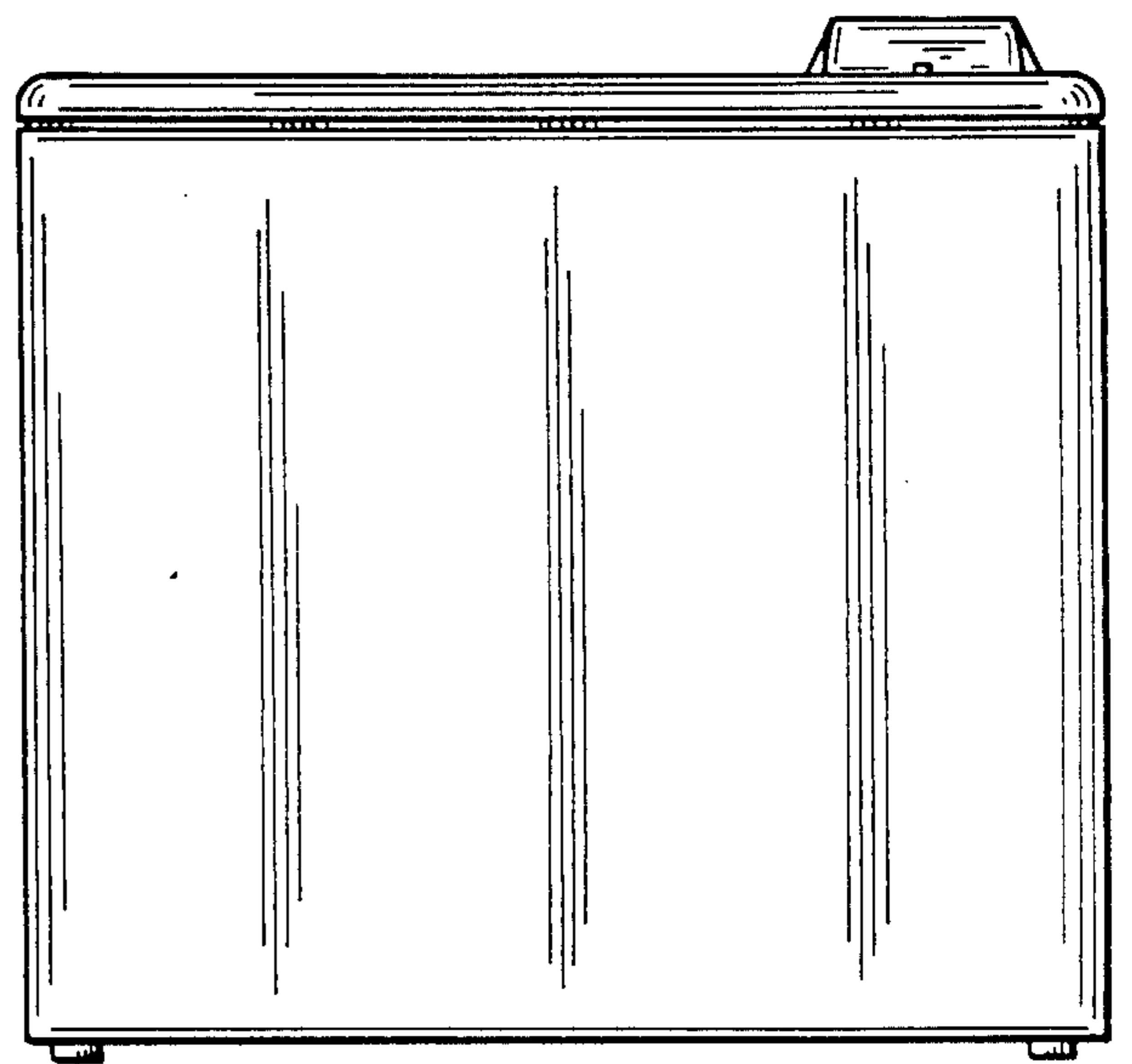




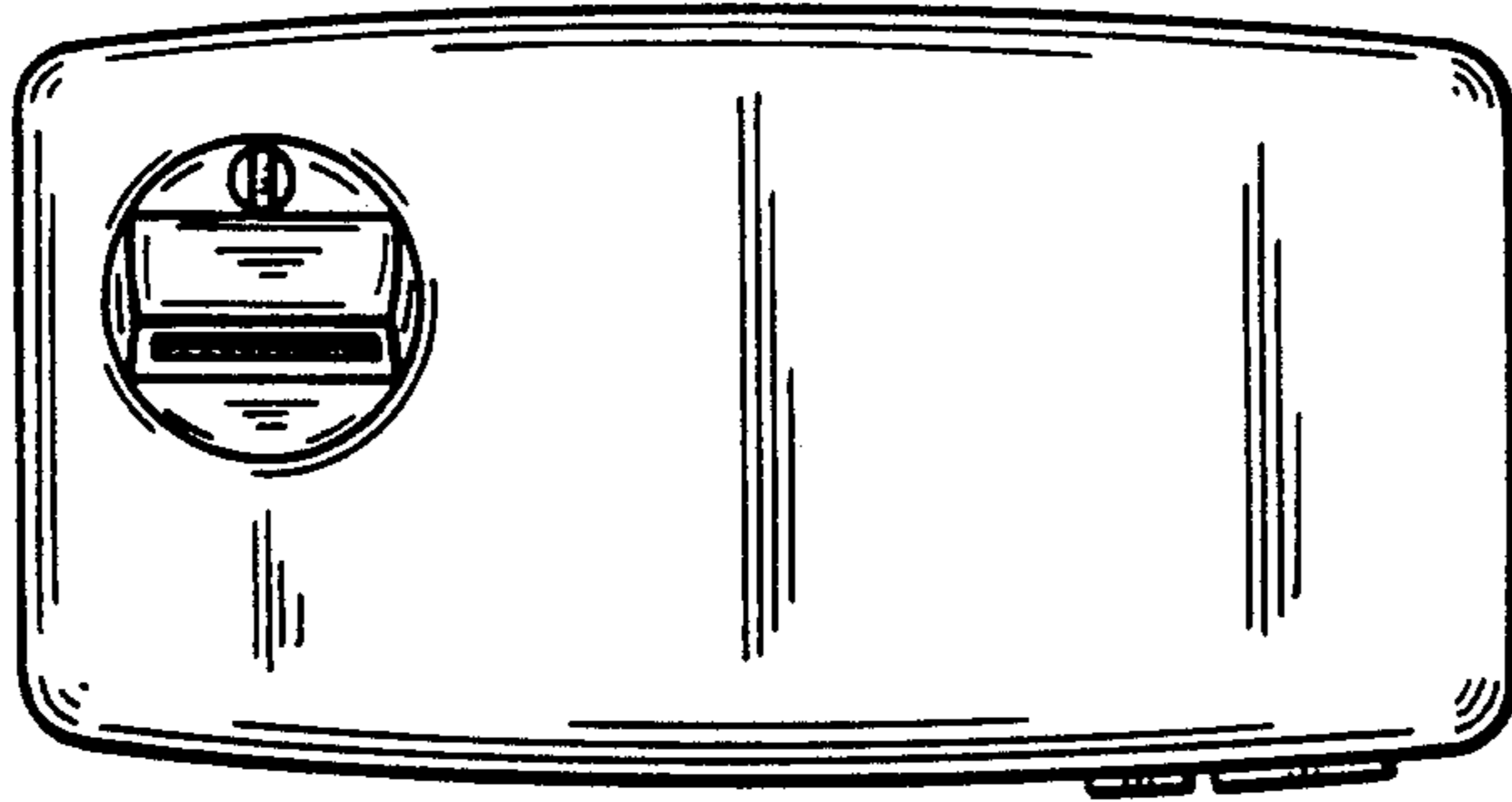
FIG_1



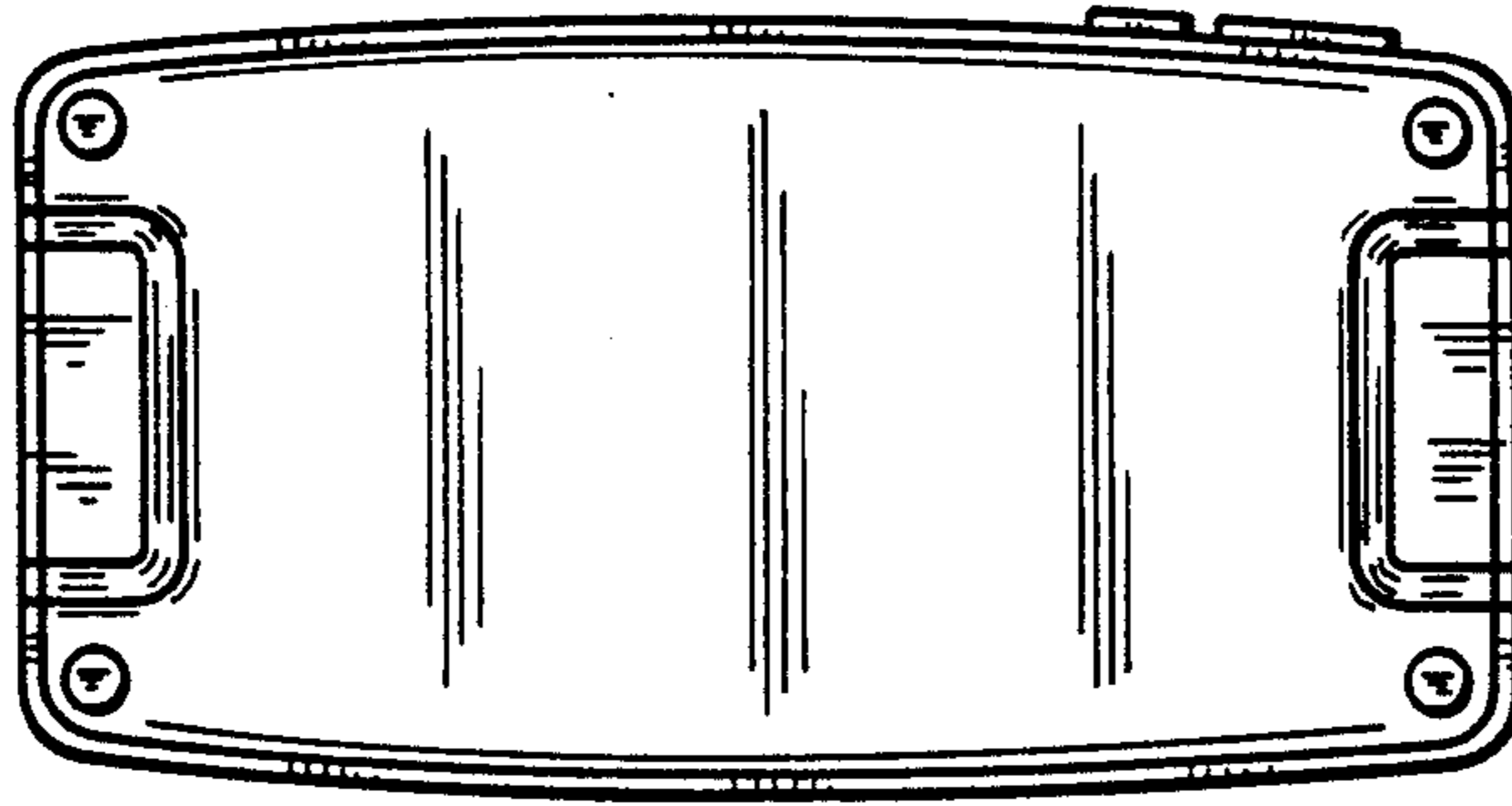
FIG_2



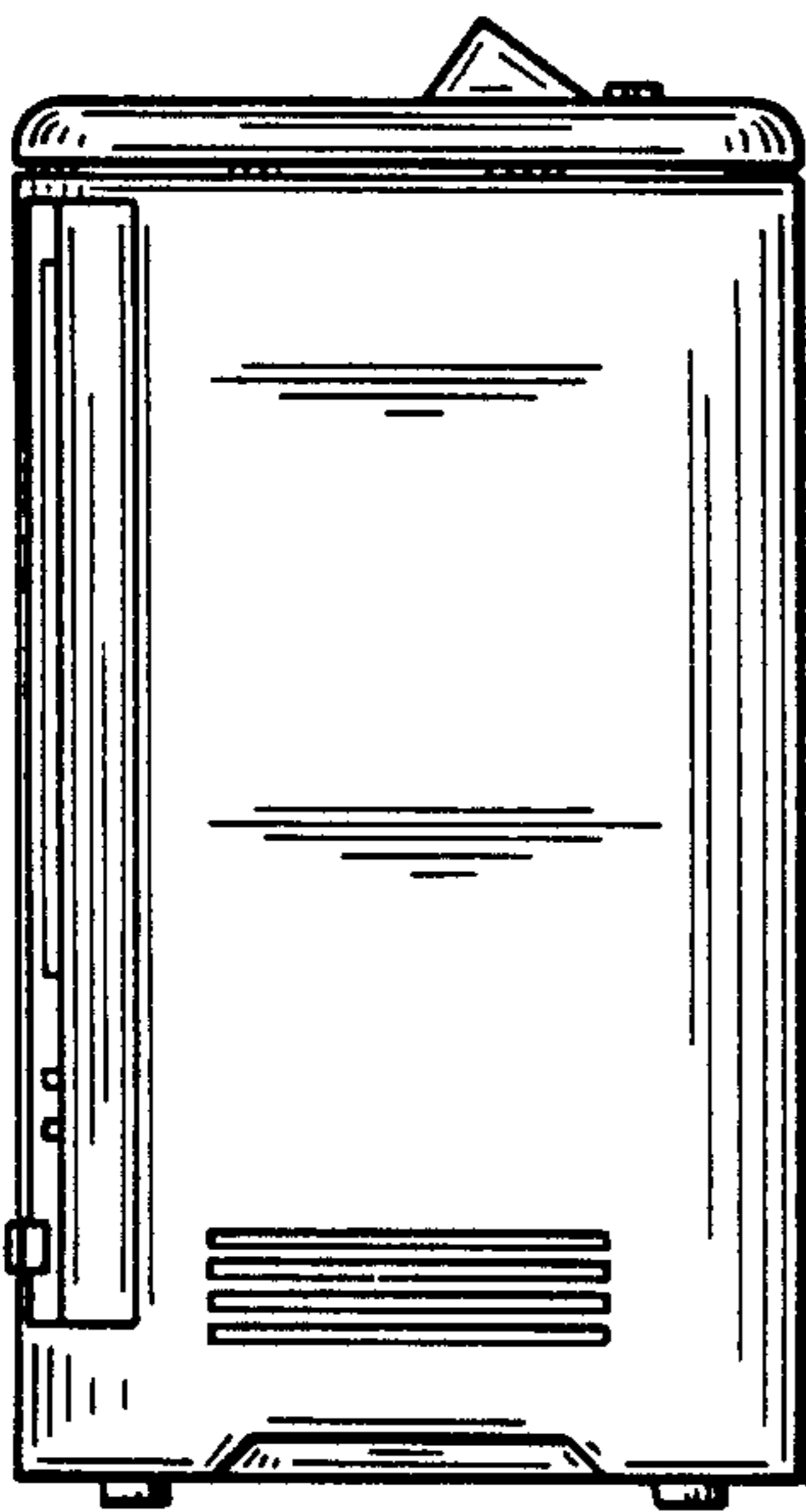
FIG_3



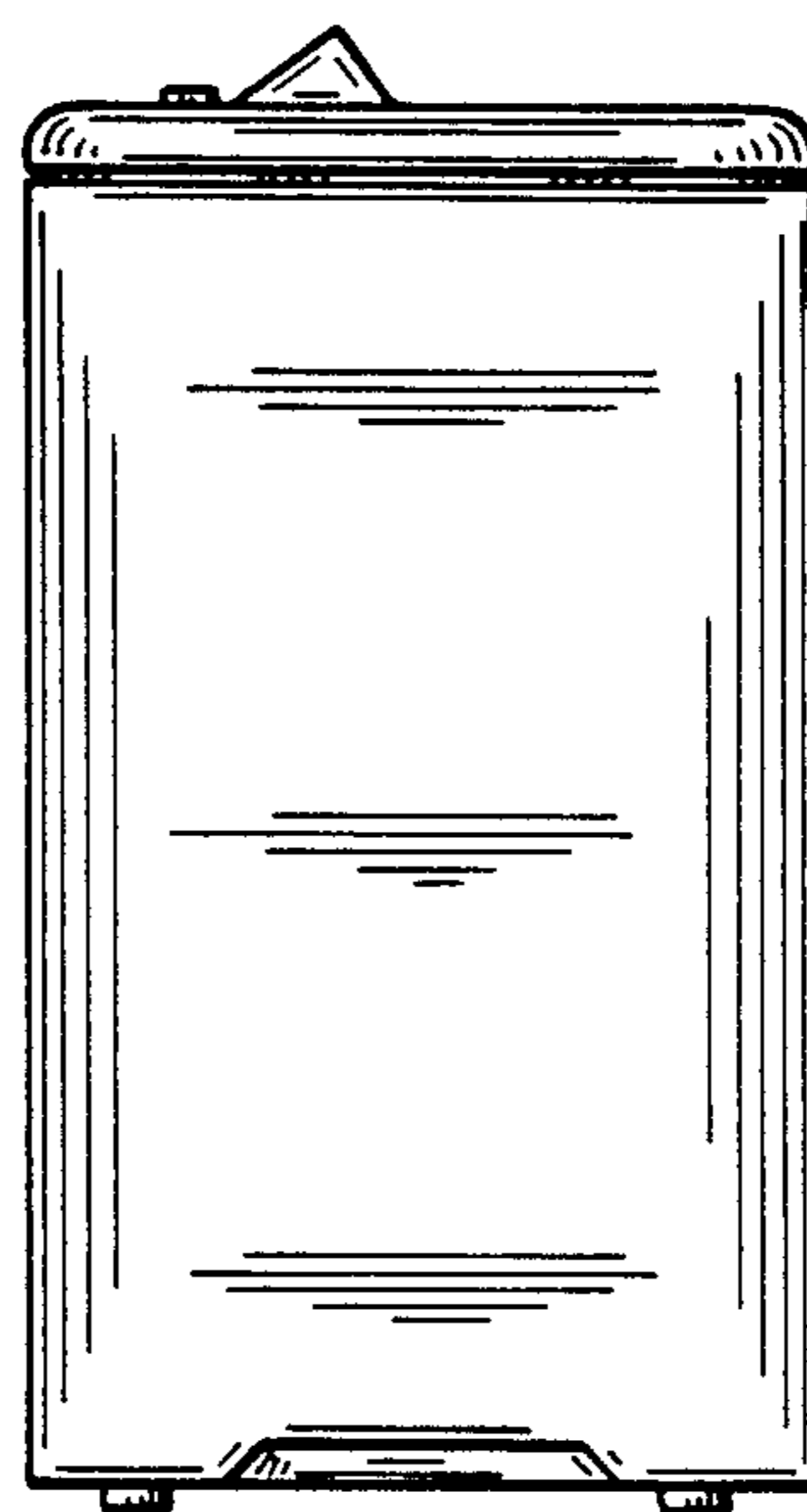
FIG_4



FIG_5



FIG_6



FIG_7