

**United States Patent** [19]  
**Blanco**

[11] **Patent Number: Des. 294,288**  
[45] **Date of Patent: \*\* Feb. 16, 1988**

[54] **WATER HEATER**  
[75] **Inventor: Byron Blanco, Los Angeles, Calif.**  
[73] **Assignee: Zip Financial Inc., Los Angeles, Calif.**  
[\*\*] **Term: 14 Years**  
[21] **Appl. No.: 741,449**  
[22] **Filed: Jun. 5, 1985**  
[52] **U.S. Cl. .... D23/318; D23/213**  
[58] **Field of Search .... D23/34-39, D23/86-90; 4/598; 134/341; 219/306-309**

2,780,715 2/1957 Strokes ..... D23/87 X  
3,557,389 1/1971 Scobey ..... 219/306 X  
4,085,308 4/1978 Youngquist ..... 219/309

*Primary Examiner*—James R. Lergen  
*Attorney, Agent, or Firm*—Harvey C. Nienow

[57] **CLAIM**

The ornamental design for a water heater, as shown.

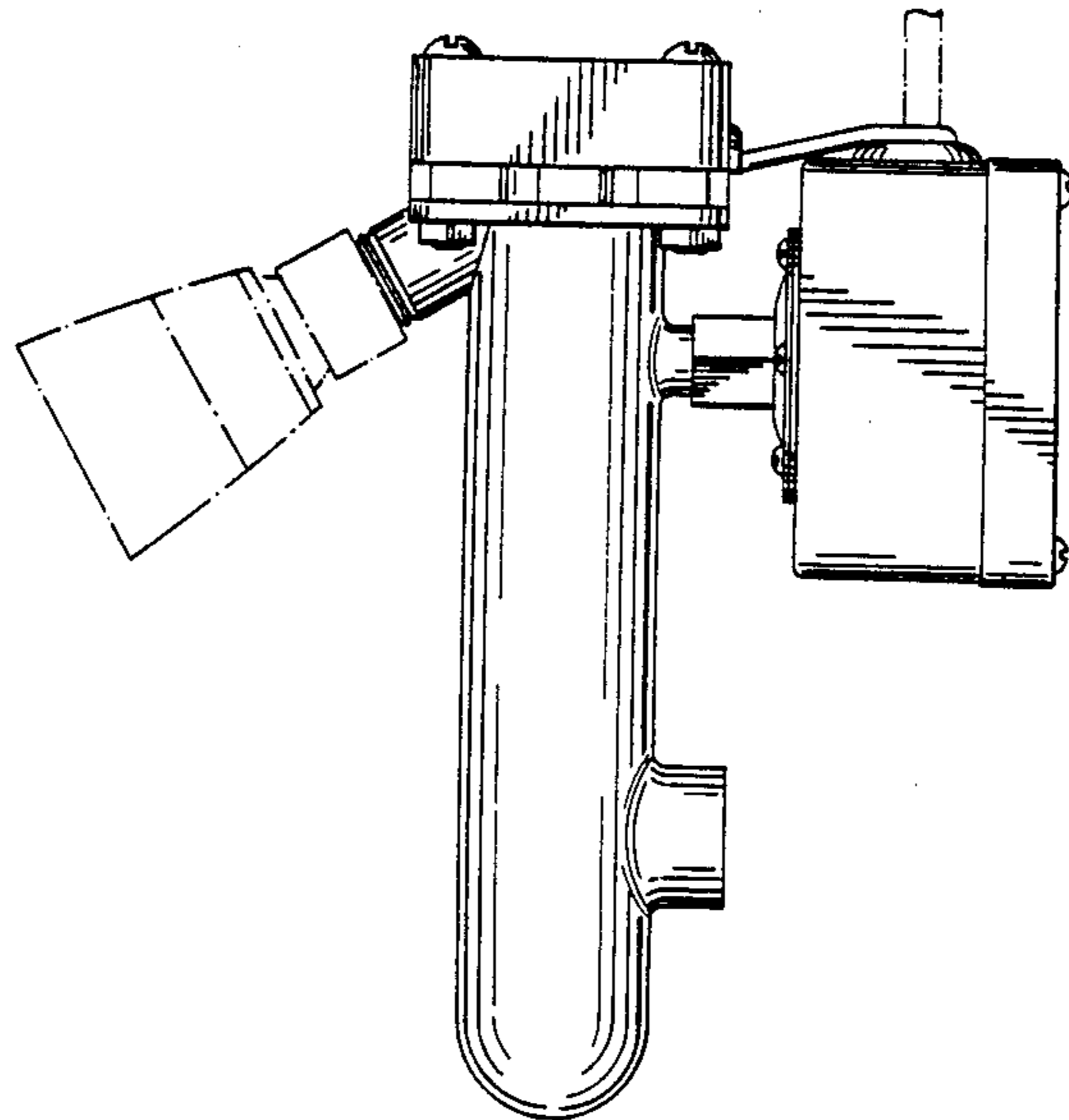
**DESCRIPTION**

FIG. 1 is a right side elevational view of a water heater showing my new design, the left side being a mirror image of the right side shown;  
FIG. 2 is a front elevational view thereof;  
FIG. 3 is a bottom plan view thereof;  
FIG. 4 is a rear elevational view thereof; and  
FIG. 5 is a top plan view thereof.  
The broken line representation of a shower head in FIGS. 1, 2, 3 and 5 and the fragmentary broken line representation of an electrical cable in FIGS. 1, 2, 4 and 5 are for purposes of illustration only and form no part of the claimed design.

[56] **References Cited**

**U.S. PATENT DOCUMENTS**

D. 146,308 2/1947 Harman ..... D23/35  
D. 200,187 1/1965 Davis ..... D23/35  
D. 262,905 2/1982 Tommaso ..... D23/35  
D. 265,236 6/1982 Yamin ..... D23/88  
2,471,609 5/1949 Charbonneau ..... D23/87 X



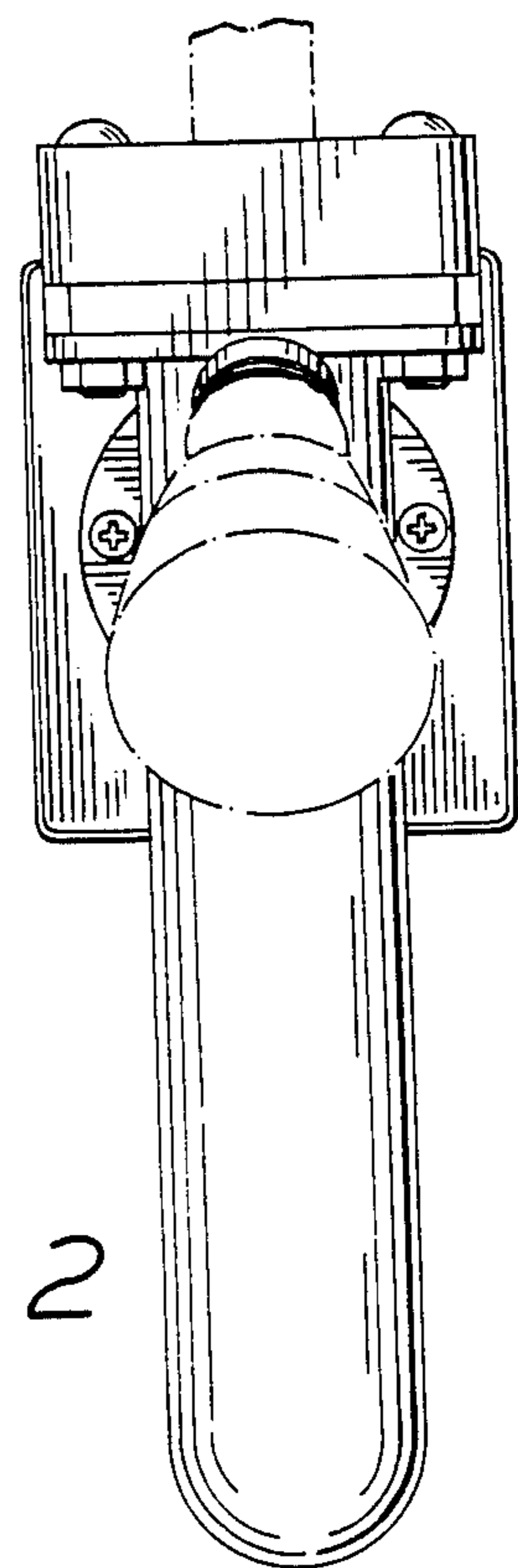
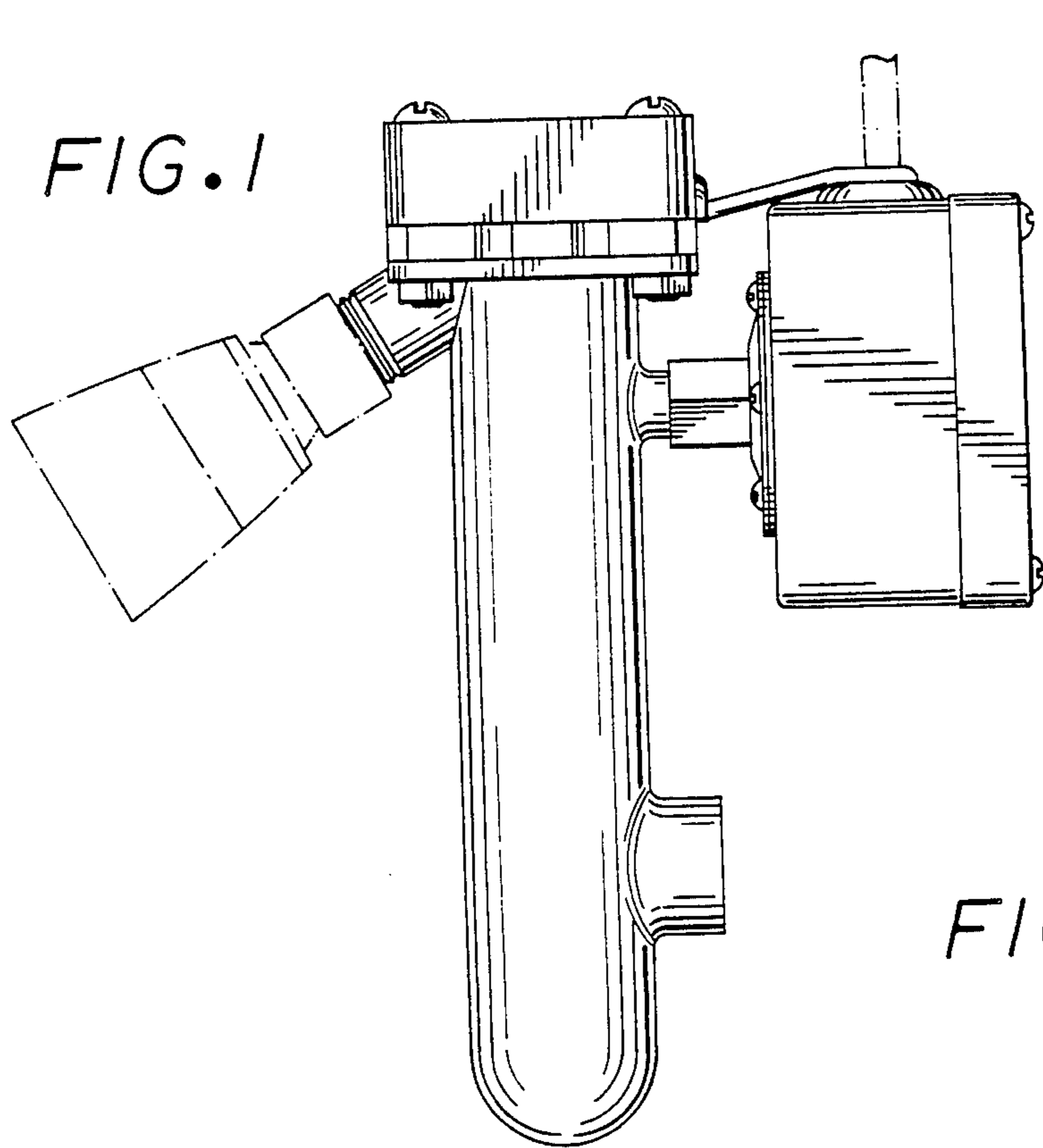


FIG. 2

FIG. 3

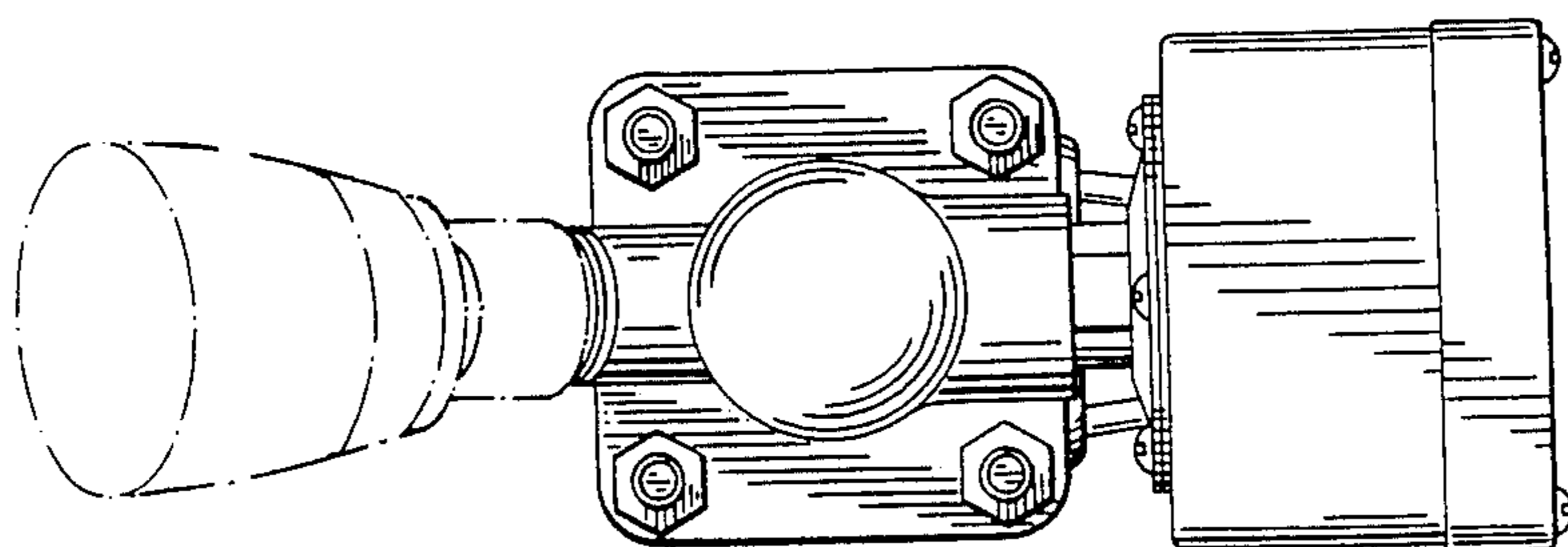


FIG. 4

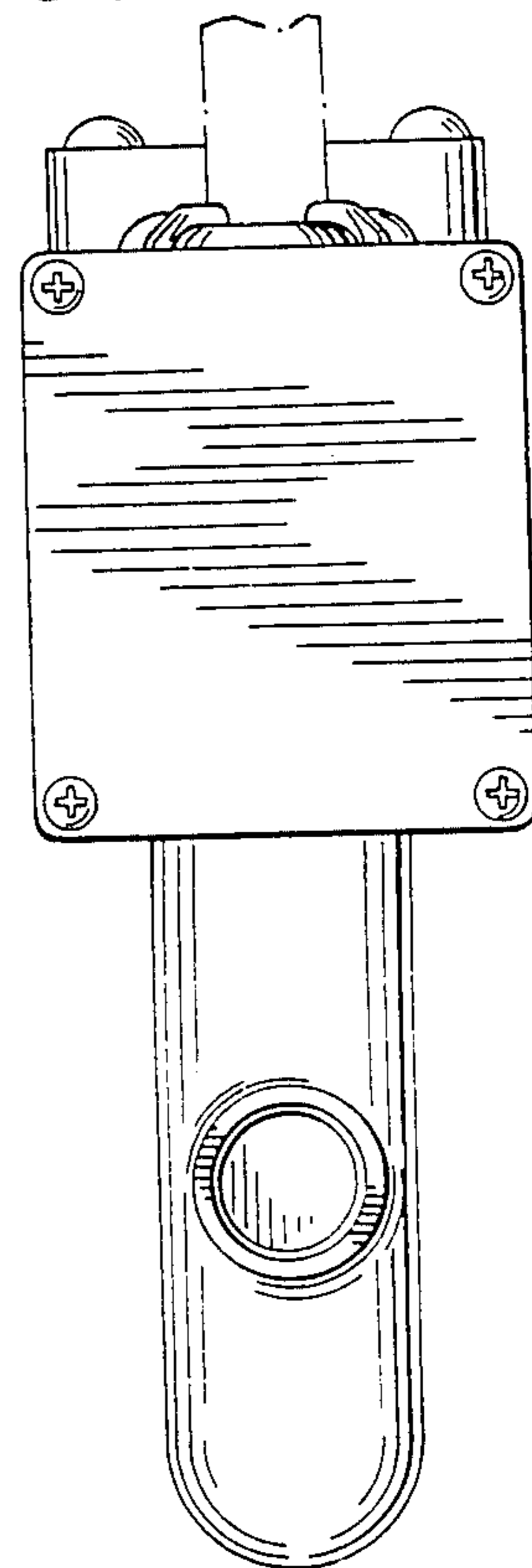


FIG. 5

