

United States Patent [19] Miskiewicz

[11] Patent Number: **Des. 294,285**
[45] Date of Patent: **** Feb. 16, 1988**

[54] WATER CLOSET VALVE

[76] Inventor: **Leonard A. Miskiewicz, 219
Sprucewood St., Pittsburgh, Pa.
15210**

[**] Term: **14 Years**

[21] Appl. No.: **791,070**

[22] Filed: **Oct. 24, 1985**

[52] U.S. Cl. **D23/233**

[58] Field of Search **D23/19-22,
D23/33, 40; 4/378, 395, 403, 404, 413, 414**

[56] **References Cited**

U.S. PATENT DOCUMENTS

D. 98,661	2/1936	Crary	D23/33
D. 108,705	3/1938	Rosenthal	D23/33
D. 248,313	6/1978	Henry	D23/19
D. 248,404	7/1978	Henry	D23/19
D. 281,713	12/1985	Mikol	D23/19
1,577,728	3/1926	Katzin	4/403
1,904,898	4/1933	Kennedy	4/378 X

2,117,629	5/1938	Rosenthal	4/404
2,155,902	4/1939	Kass	4/403
2,579,012	12/1951	Rekar	D23/33 X
2,589,110	3/1952	Meltsner	4/404
3,086,218	4/1963	Gross	4/404 X
4,385,406	5/1983	Miskiewicz	4/378
4,656,677	4/1987	Miskiewicz	4/395

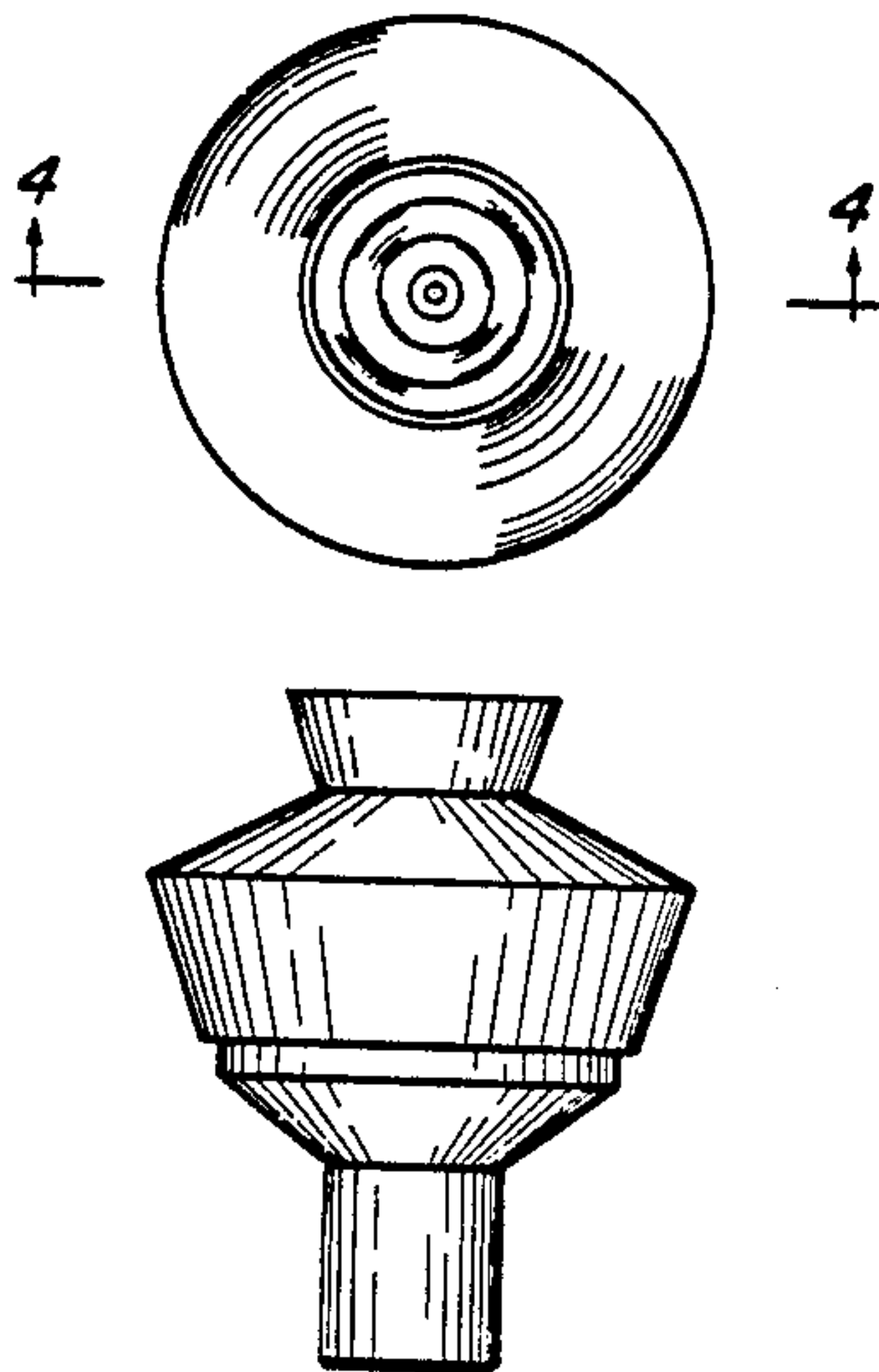
Primary Examiner—James R. Largen
Attorney, Agent, or Firm—Clifford A. Poff; Thomas H. Murray

[57] CLAIM

The ornamental design for a water closet valve, as shown and described.

DESCRIPTION

FIG. 1 is a side elevational view of a water closet valve showing my new design, the other sides being the same as the side shown;
FIG. 2 is a top plan view thereof;
FIG. 3 is a bottom plan view thereof; and
FIG. 4 is a cross-sectional view taken on line 4—4 of FIG. 2.



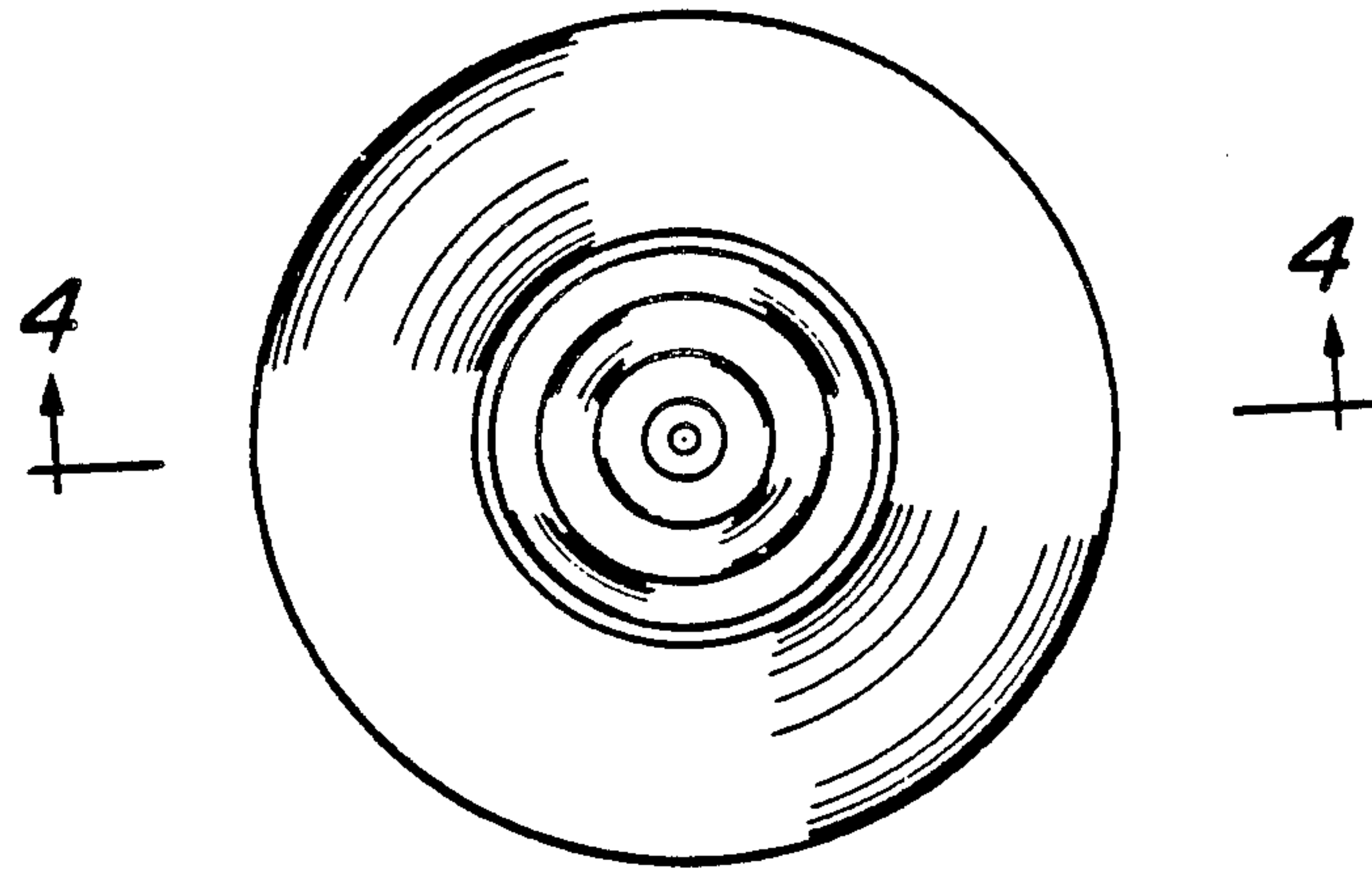


FIG. 2

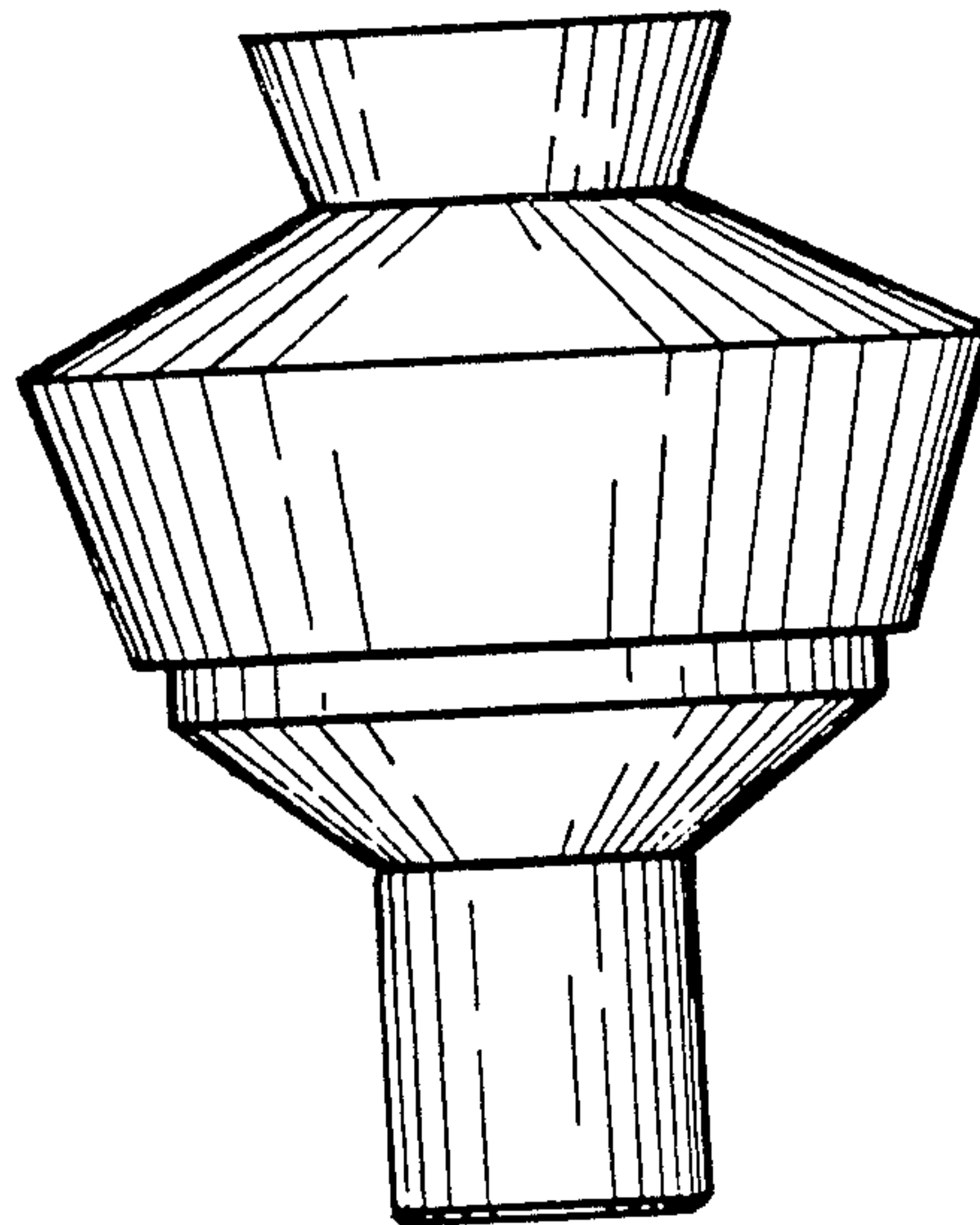


FIG. 1

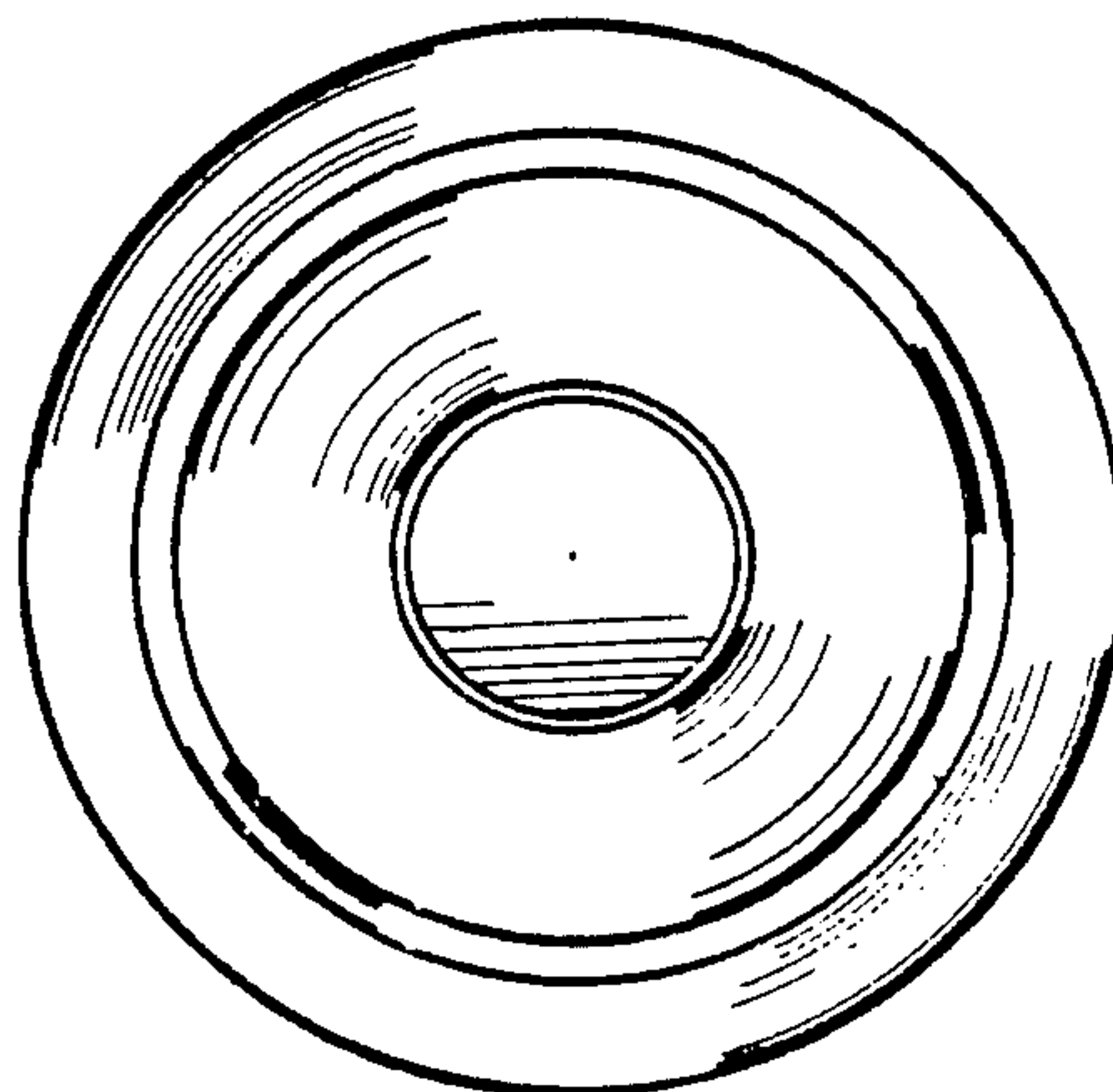


FIG. 3

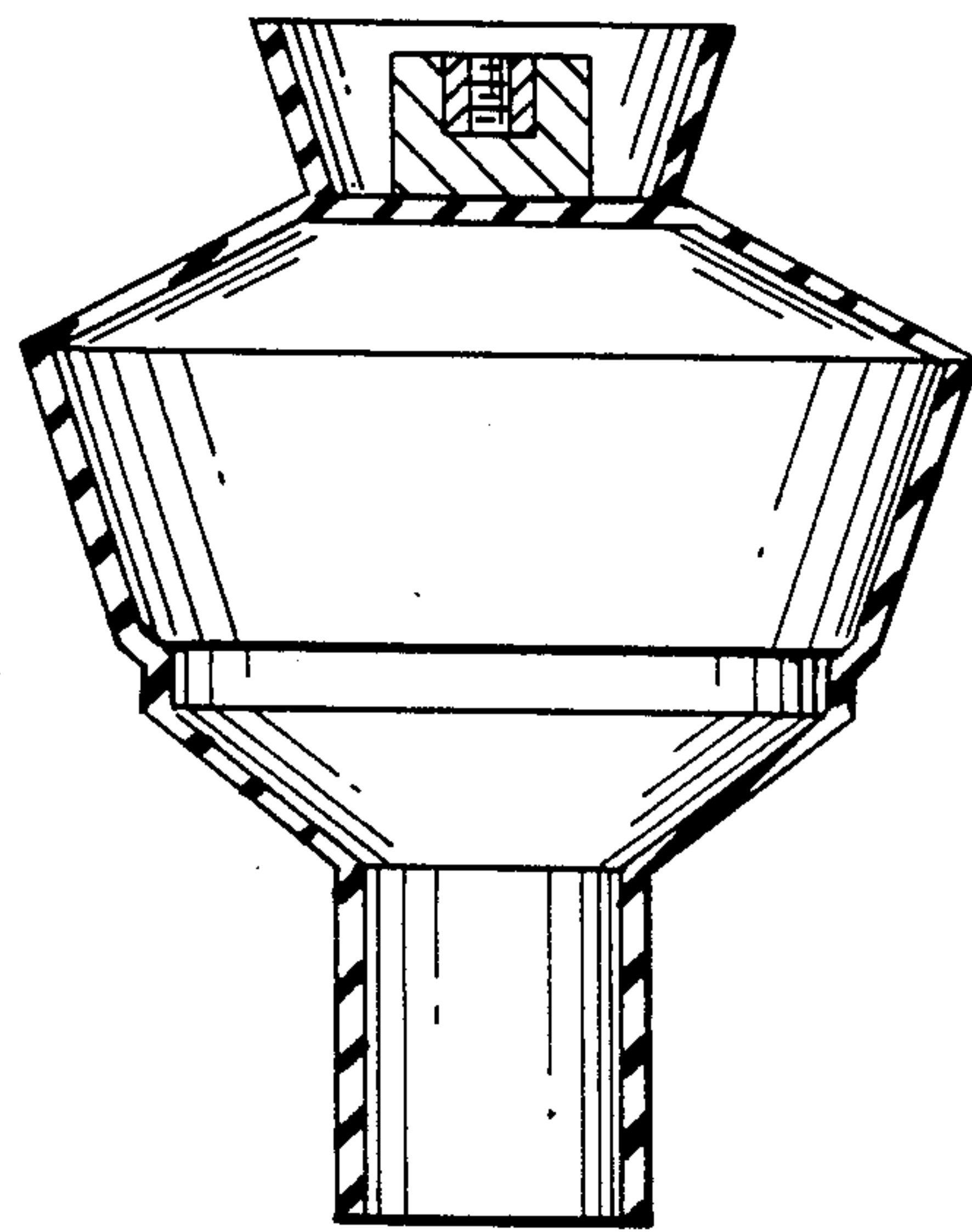


FIG. 4