

[54] TOY BOAT

[75] Inventors: **Edward M. Ferguson; Michael W. Nuttall**, both of Carson, Calif.;
Toshiaki Takizawa, Tokyo, Japan

[73] Assignee: **Tomy Kogyo Co., Inc.**, Tokyo, Japan

[**] Term: **14 Years**

[21] Appl. No.: **805,040**

[22] Filed: **Nov. 12, 1985**

[30] **Foreign Application Priority Data**

May 29, 1985 [JP] Japan 60-22442

[52] U.S. Cl. **D21/130**

[58] Field of Search **D21/130; D12/62, 68; 446/153, 160, 163, 164**

[56] **References Cited**

U.S. PATENT DOCUMENTS

| | | | |
|------------|---------|-----------------|---------|
| D. 145,142 | 7/1946 | Overath | D21/130 |
| D. 161,861 | 2/1951 | Mueller | D21/130 |
| D. 222,374 | 10/1971 | Ichiro | D21/130 |
| D. 277,591 | 2/1985 | Rivollet | D21/130 |
| 4,223,894 | 9/1980 | Fabricant | 446/160 |

Primary Examiner—Charles A. Rademaker
Attorney, Agent, or Firm—Staas & Halsey

[57] **CLAIM**

The ornamental design for a toy boat, as shown.

DESCRIPTION

FIG. 1 is a front elevational view of a toy boat showing our new design;

FIG. 2 is a rear elevational view thereof;

FIG. 3 is a right side elevational view thereof;

FIG. 4 is a left side elevational view thereof;

FIG. 5 is a top plan view thereof; and,

FIG. 6 is a bottom plan view thereof.

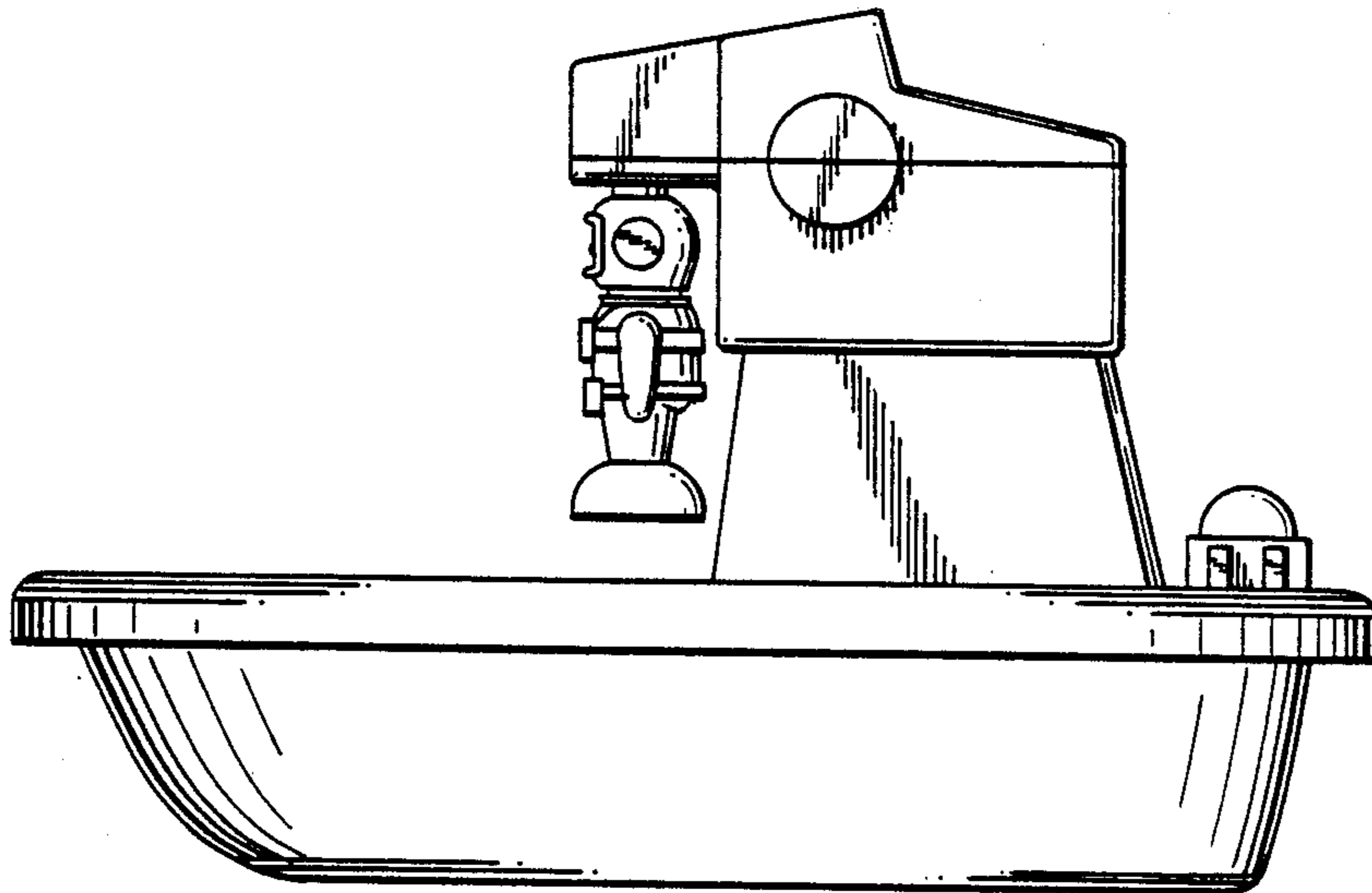


FIG. 1.

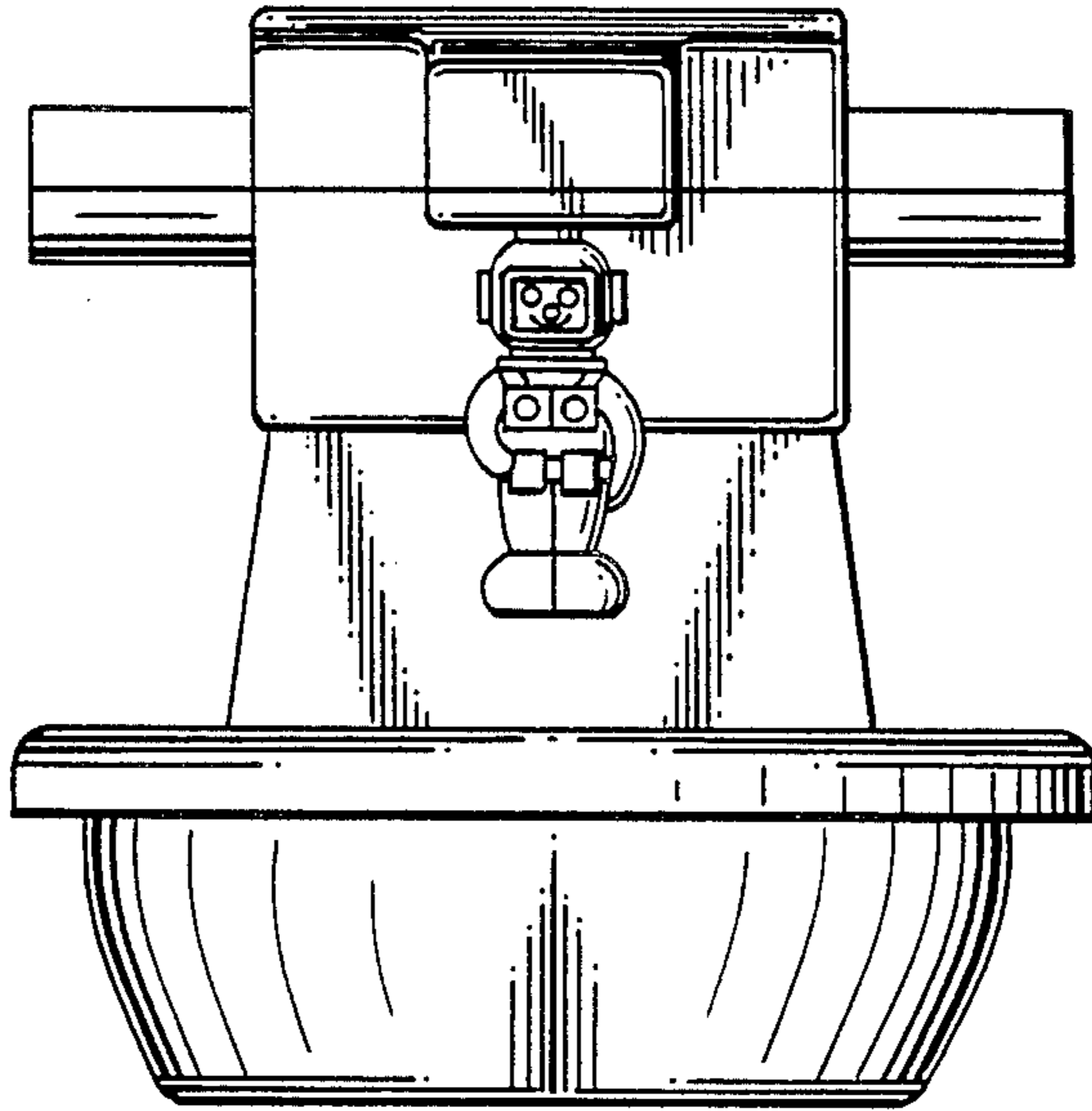


FIG. 2.

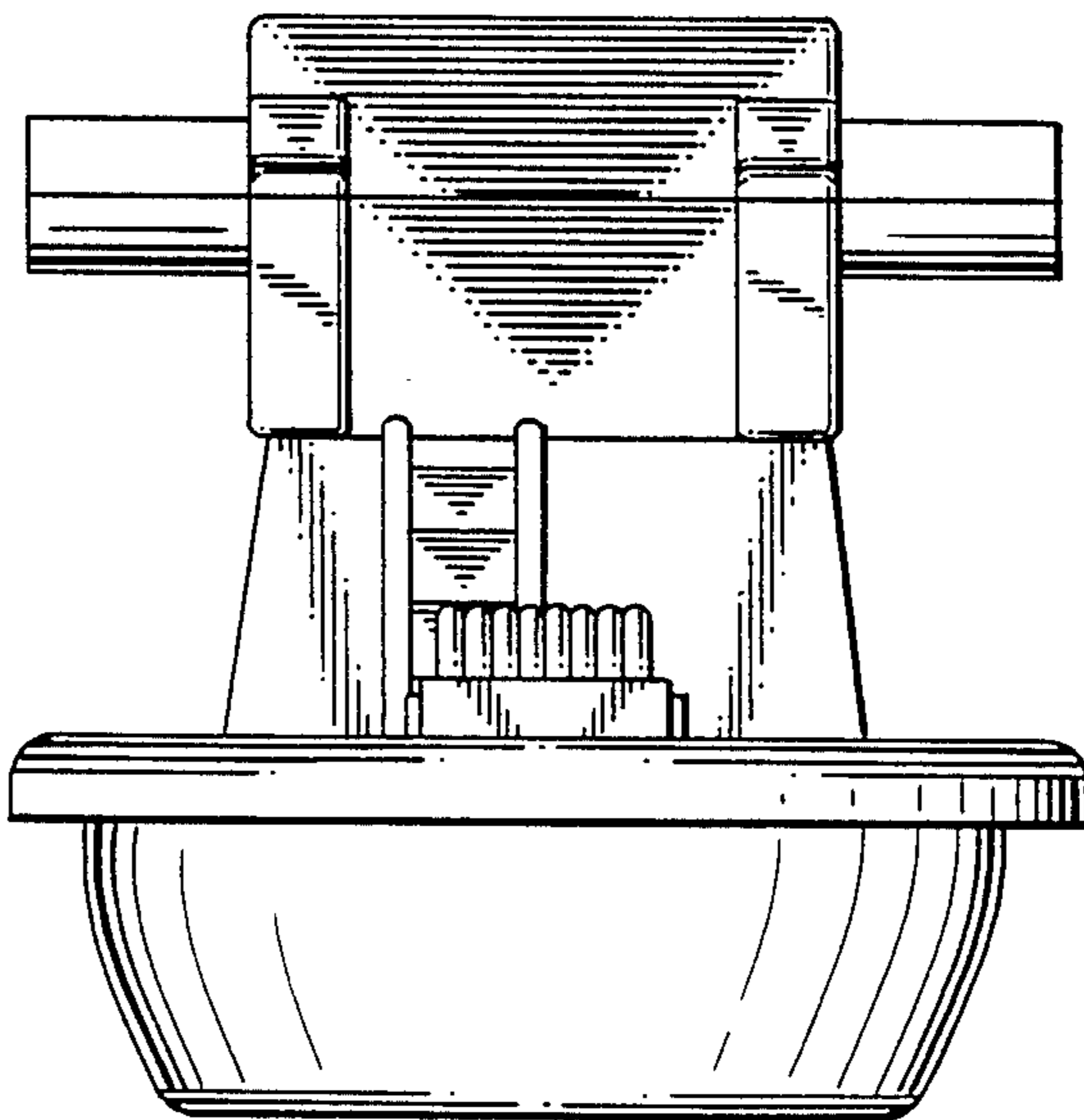


FIG. 3.

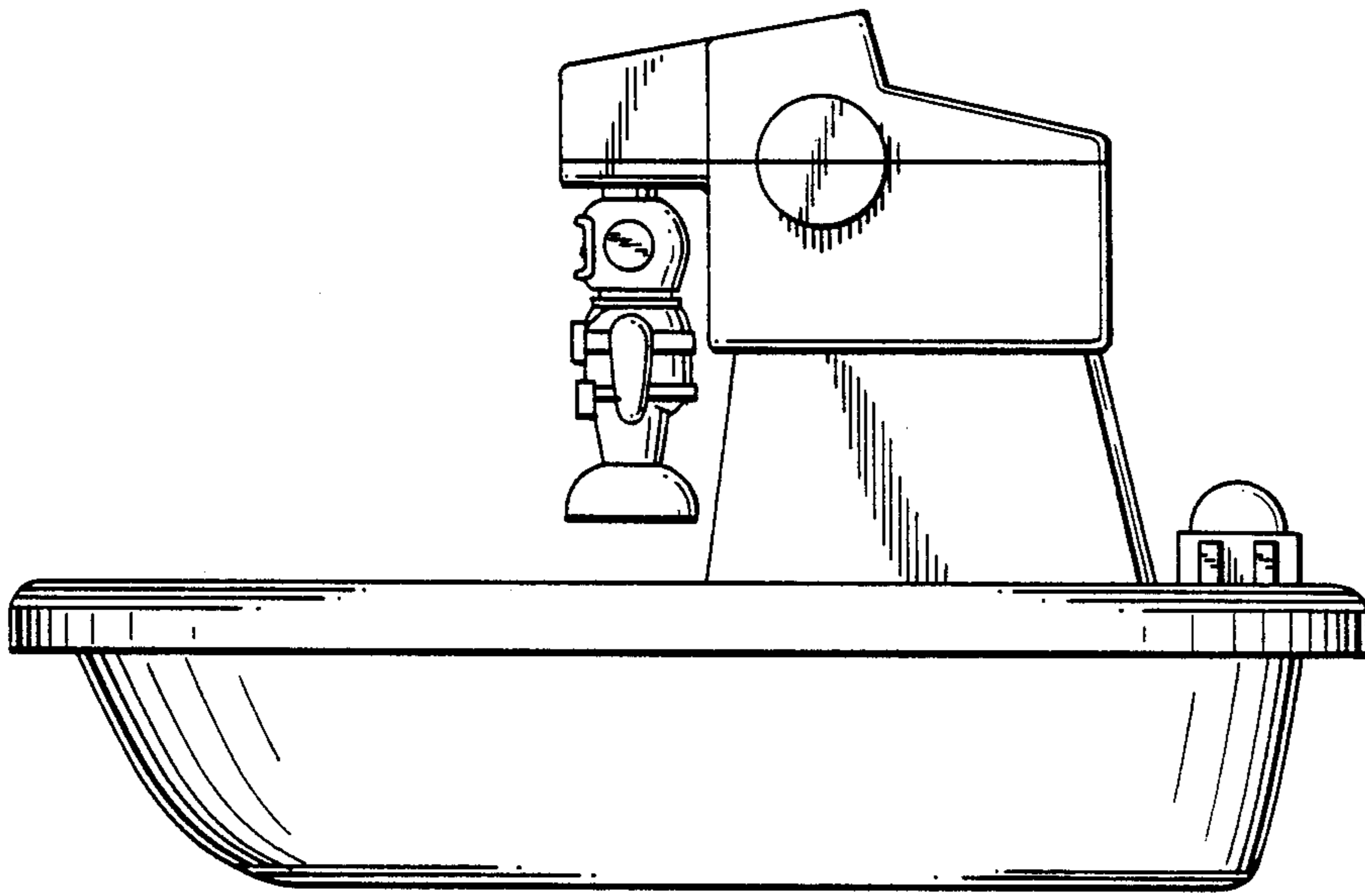


FIG. 4.

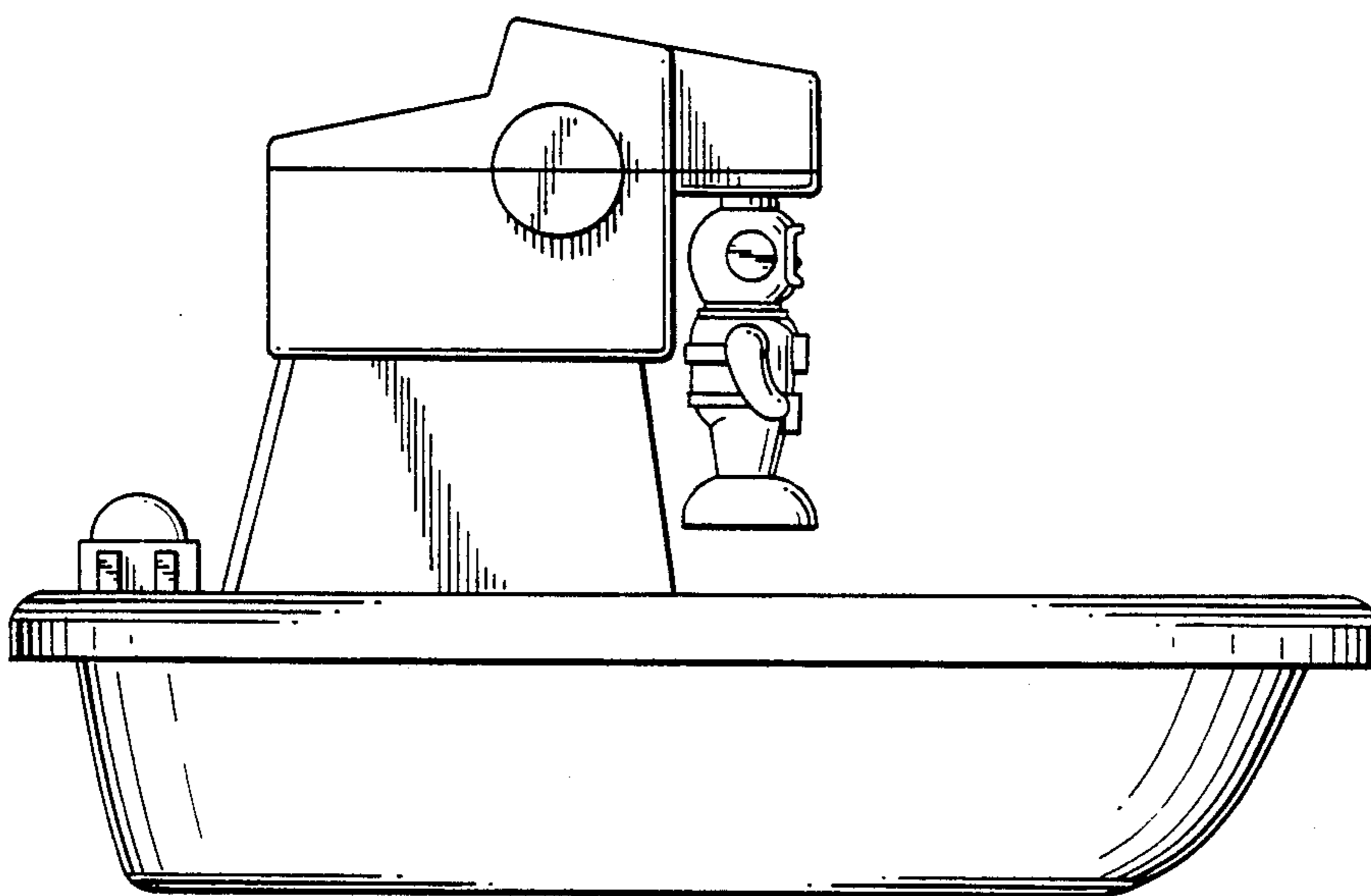


FIG. 5.

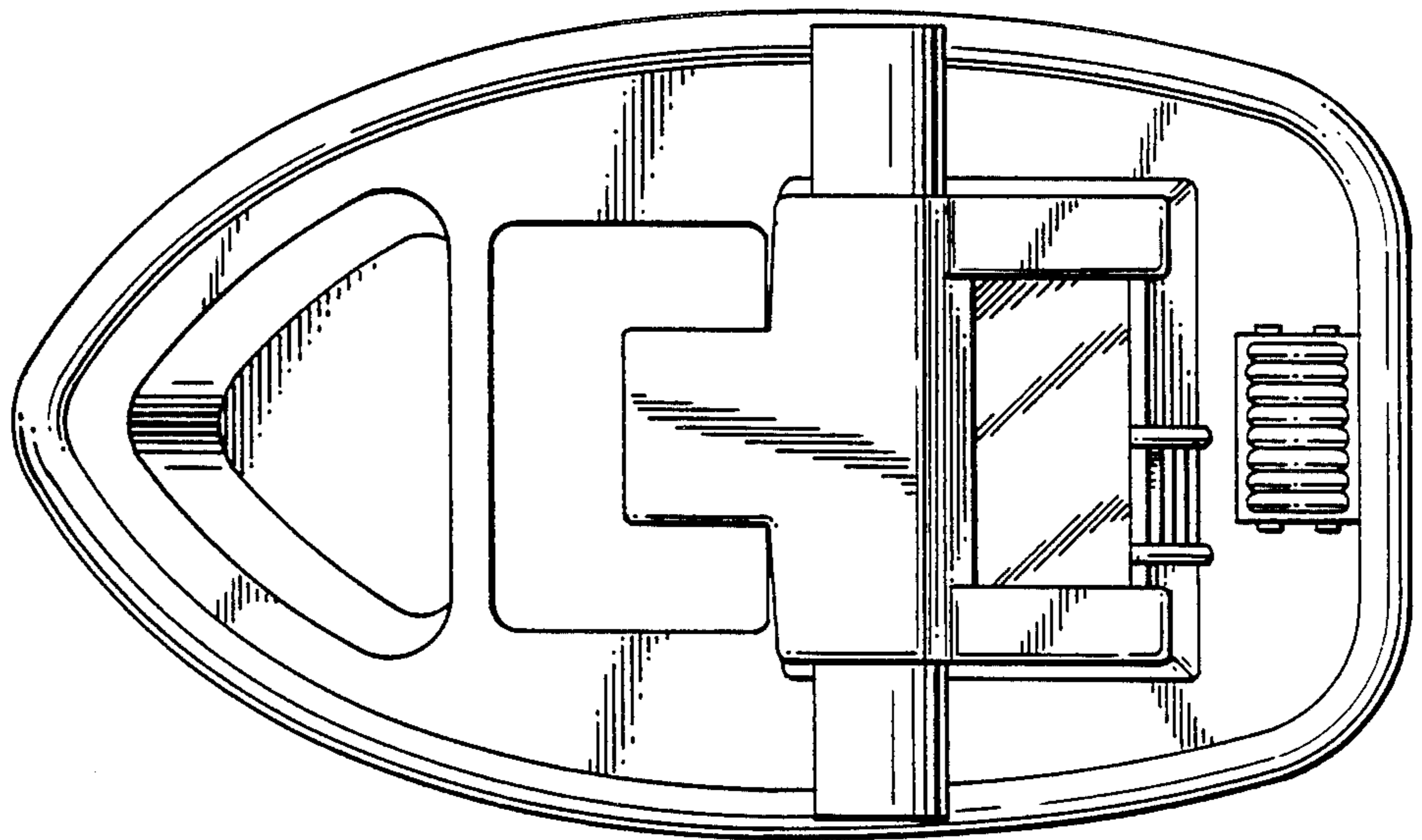


FIG. 6.

