

[54] RADIO-CONTROLLED TOY VEHICLE

[75] Inventor: Hiroshi Ukisu, Matsudo, Japan
[73] Assignee: Epoch Company, Ltd., Tokyo, Japan
[**] Term: 14 Years
[21] Appl. No.: 738,765
[22] Filed: May 29, 1985
[52] U.S. Cl. D21/128
[58] Field of Search D21/128, 99; D12/134,
D12/135; 446/454, 491, 479, 455, 456, 457

[56] References Cited

U.S. PATENT DOCUMENTS

D. 247,322 2/1978 Burroughs D21/99
3,621,605 11/1971 Witiak 446/454

OTHER PUBLICATIONS

1985 Tread Design Guide, p. 201, Goodyear All Service Grader (G-2), TL-TT-N.

Primary Examiner—Charles A. Rademaker
Attorney, Agent, or Firm—Staas & Halsey

[57] CLAIM

The ornamental design for a radio-controlled toy vehicle, substantially as shown and described.

DESCRIPTION

FIG. 1 is a front elevational view of a radio-controlled toy vehicle showing my new design;
FIG. 2 is a rear elevational view thereof;
FIG. 3 is a left side elevational view thereof;
FIG. 4 is a top plan view thereof; and
FIG. 5 is a bottom plan view thereof.

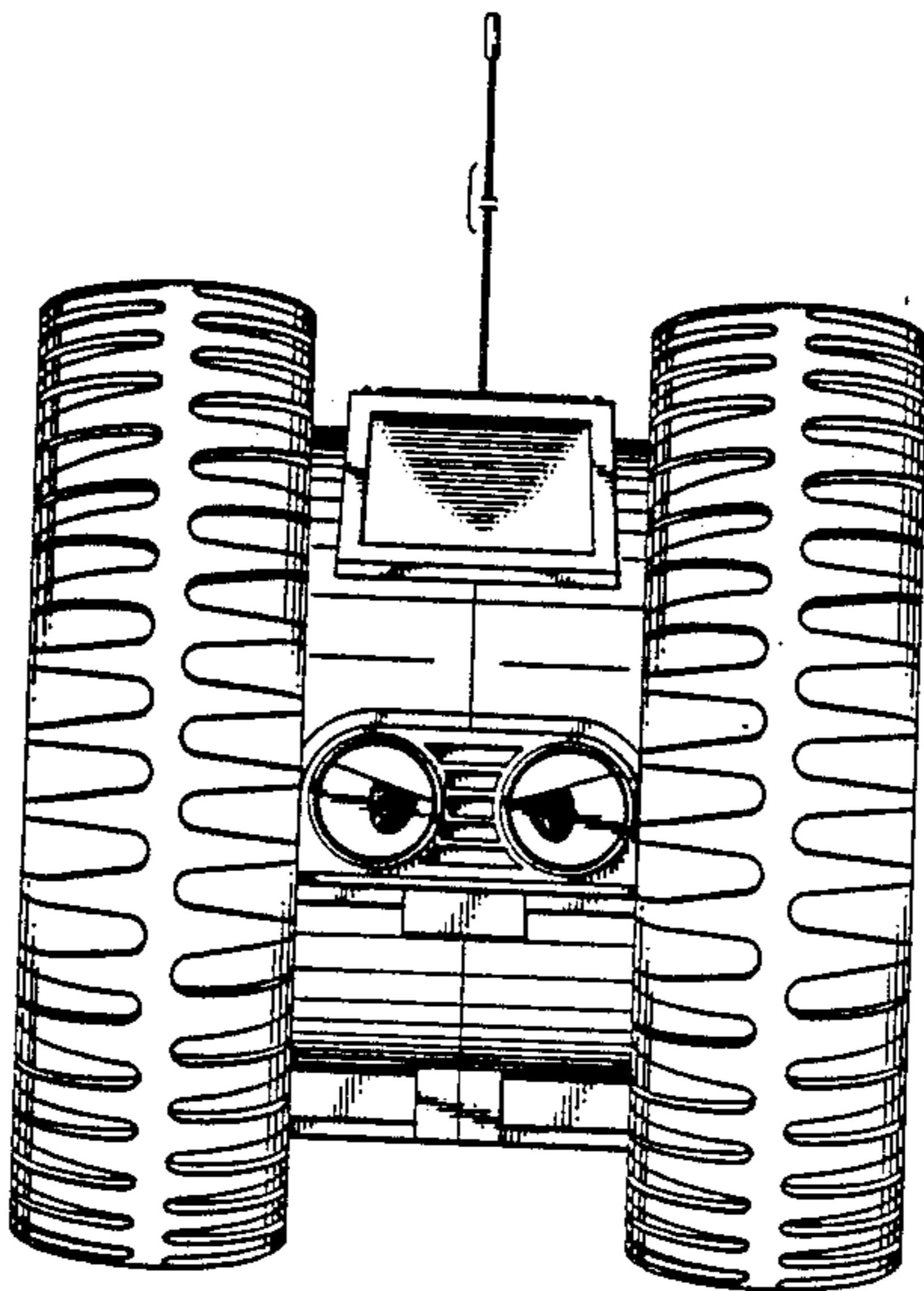


FIG. 2.

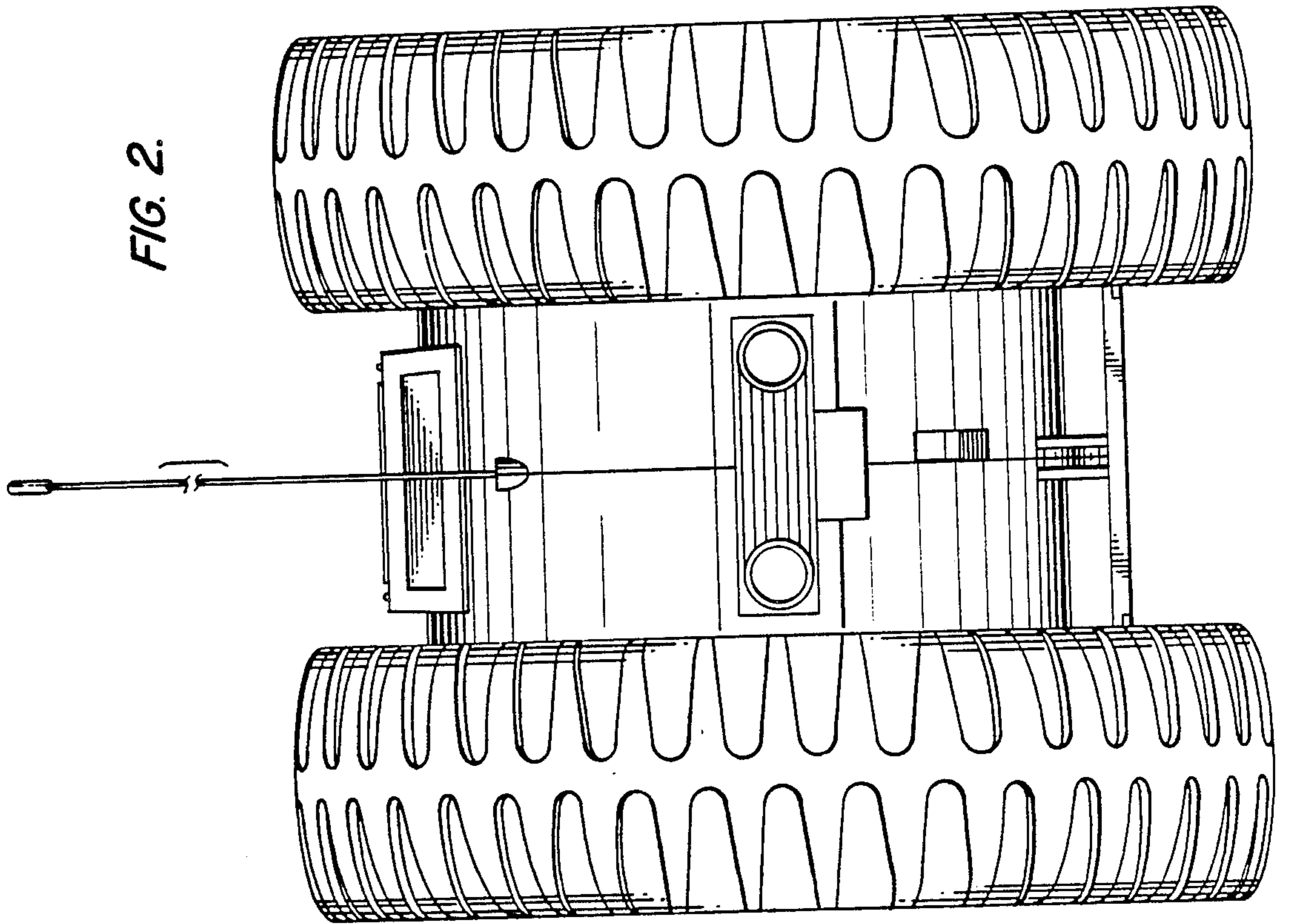


FIG. 1.

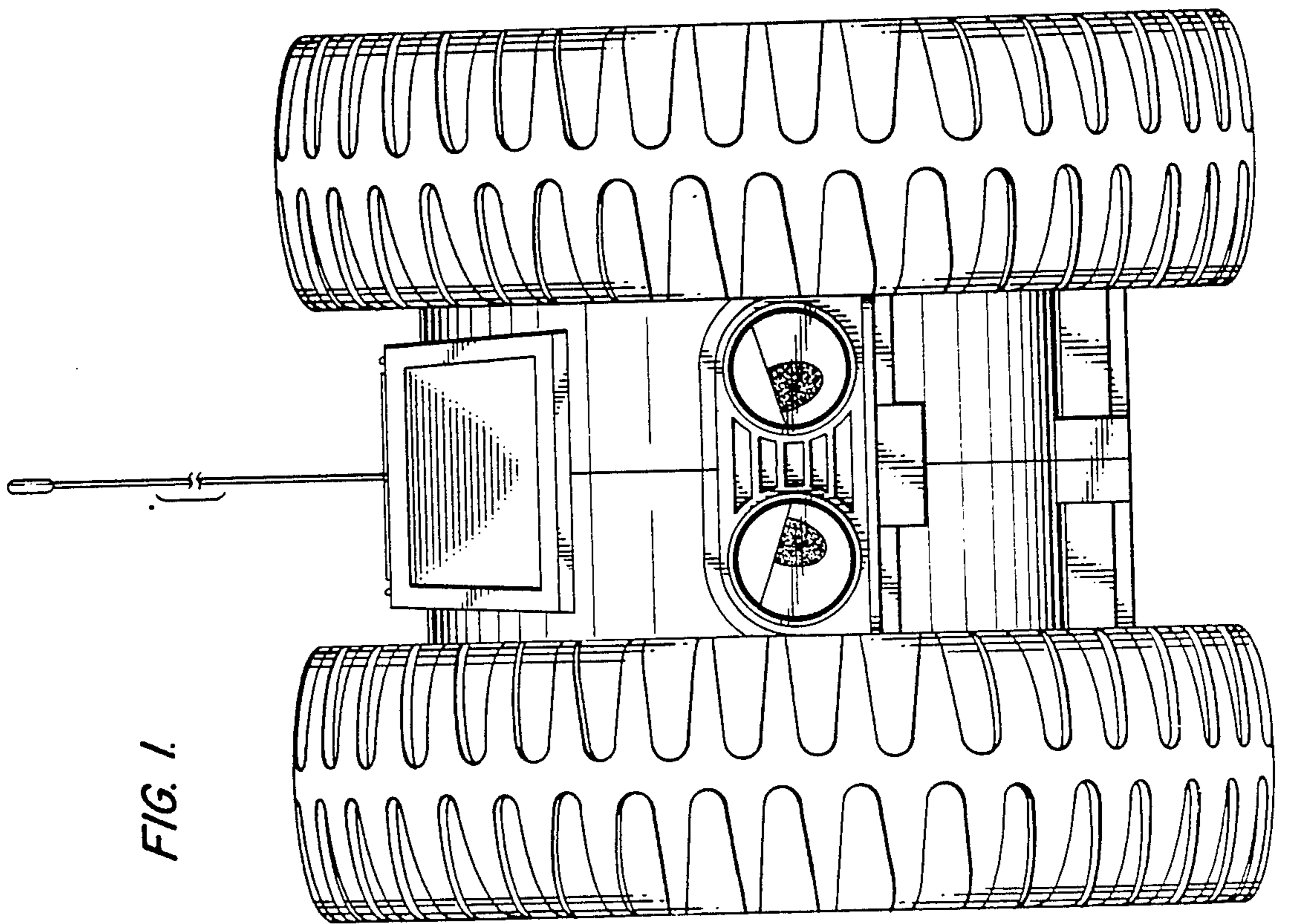


FIG. 4.

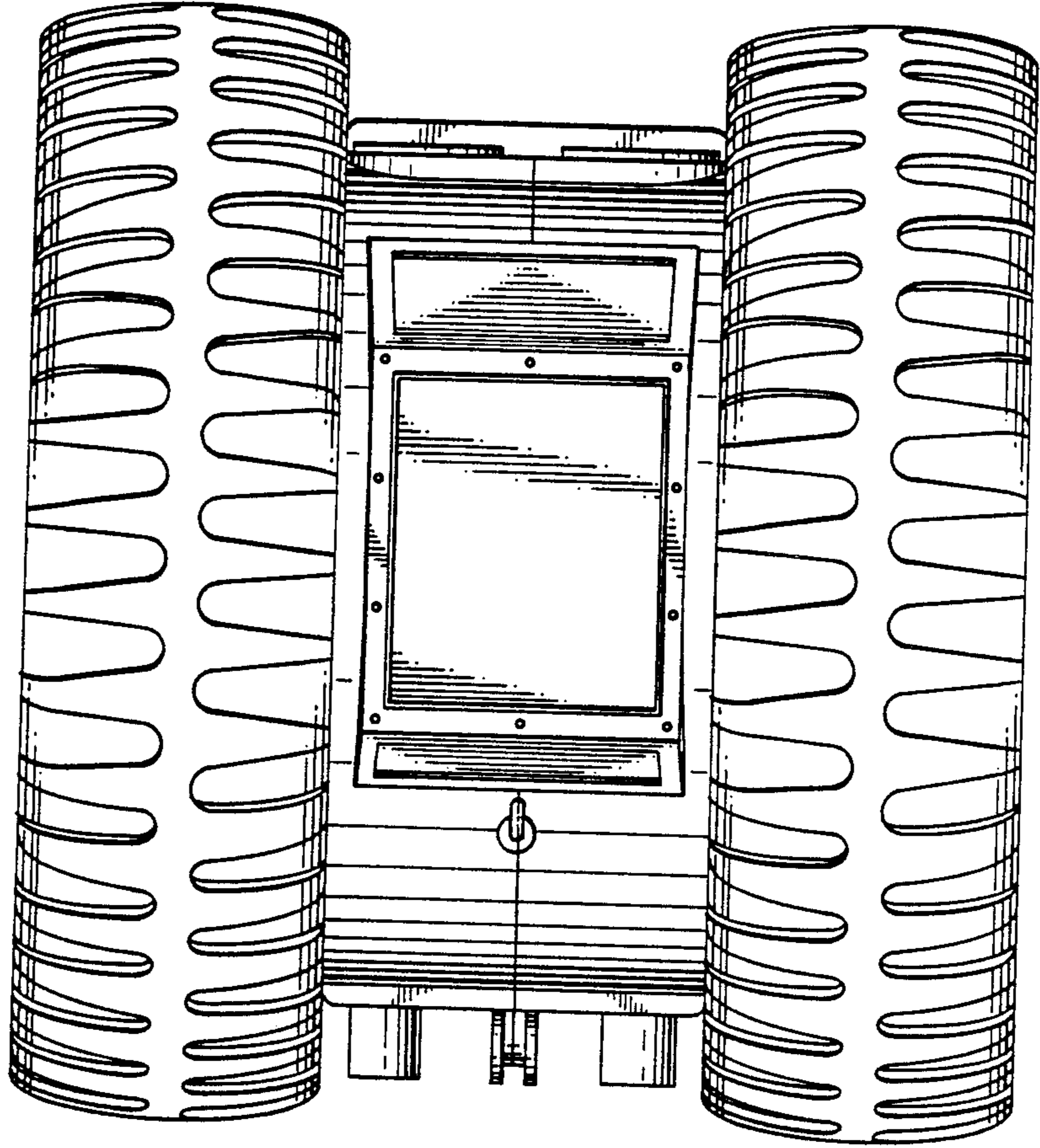


FIG. 3.

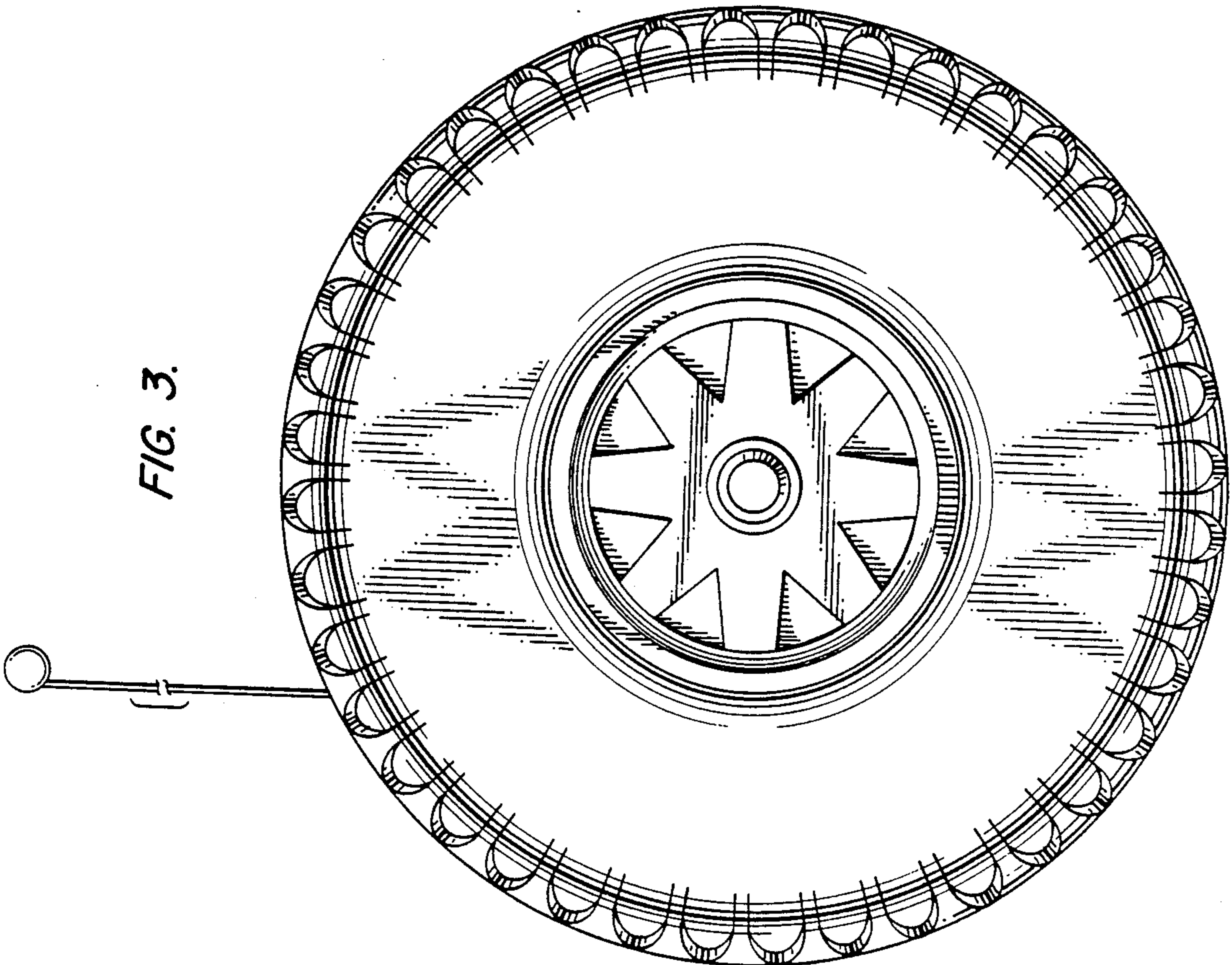


FIG. 5.

