

[54] **DETAIL TAPE REVIEWER**

[76] Inventor: **Kevin L. Dokes**, P.O. Box 35614,
Detroit, Mich. 48235

[**] Term: **14 Years**

[21] Appl. No.: **758,864**

[22] Filed: **Jul. 25, 1985**

[52] U.S. Cl. **D16/17; D16/13;
D16/14; D16/15; D16/19**

[58] Field of Search **D16/11, 13, 14-15,
D16/17-18, 19, 33, 37-38, 41; 352/124, 129,
173; 40/361-367**

[56] **References Cited**

U.S. PATENT DOCUMENTS

D. 115,397	6/1939	Harrison	D16/19
D. 132,629	6/1942	Mortimer	D16/38
D. 144,688	5/1946	Briskin	D16/41
D. 181,589	12/1957	Kellock	D16/19
D. 255,581	6/1978	Owens	D16/17

1,272,547	7/1918	Singer	40/367
2,174,194	9/1939	Nemnich	352/129 X
2,239,032	4/1941	Boch	40/367
2,591,519	4/1952	Decker	352/129 X
4,073,581	2/1978	Rayburn	352/129
4,081,920	4/1978	Magee	40/362

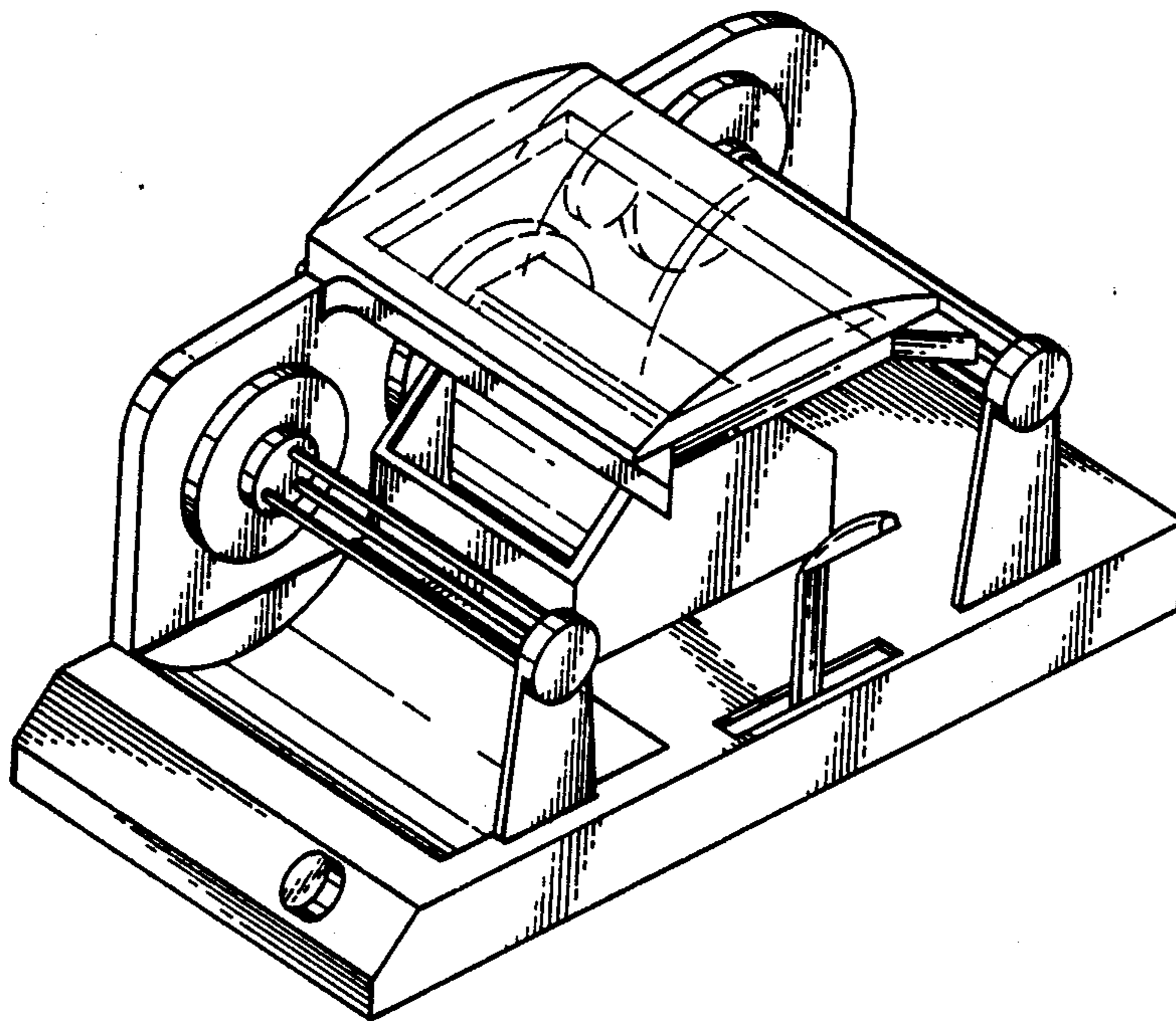
Primary Examiner—Nelson C. Holtje
Attorney, Agent, or Firm—W. C. Tupman

[57] **CLAIM**

The ornamental design for a detail tape reviewer, substantially as shown and described.

DESCRIPTION

FIG. 1 is a right side elevational view of a detail tape reviewer, showing my new design;
FIG. 2 is a left side elevational view thereof;
FIG. 3 is a rear elevational view thereof;
FIG. 4 is a front elevational view thereof;
FIG. 5 is a top plan view thereof;
FIG. 6 is a bottom plan view thereof;
FIG. 7 is a right, front isometric view thereof.



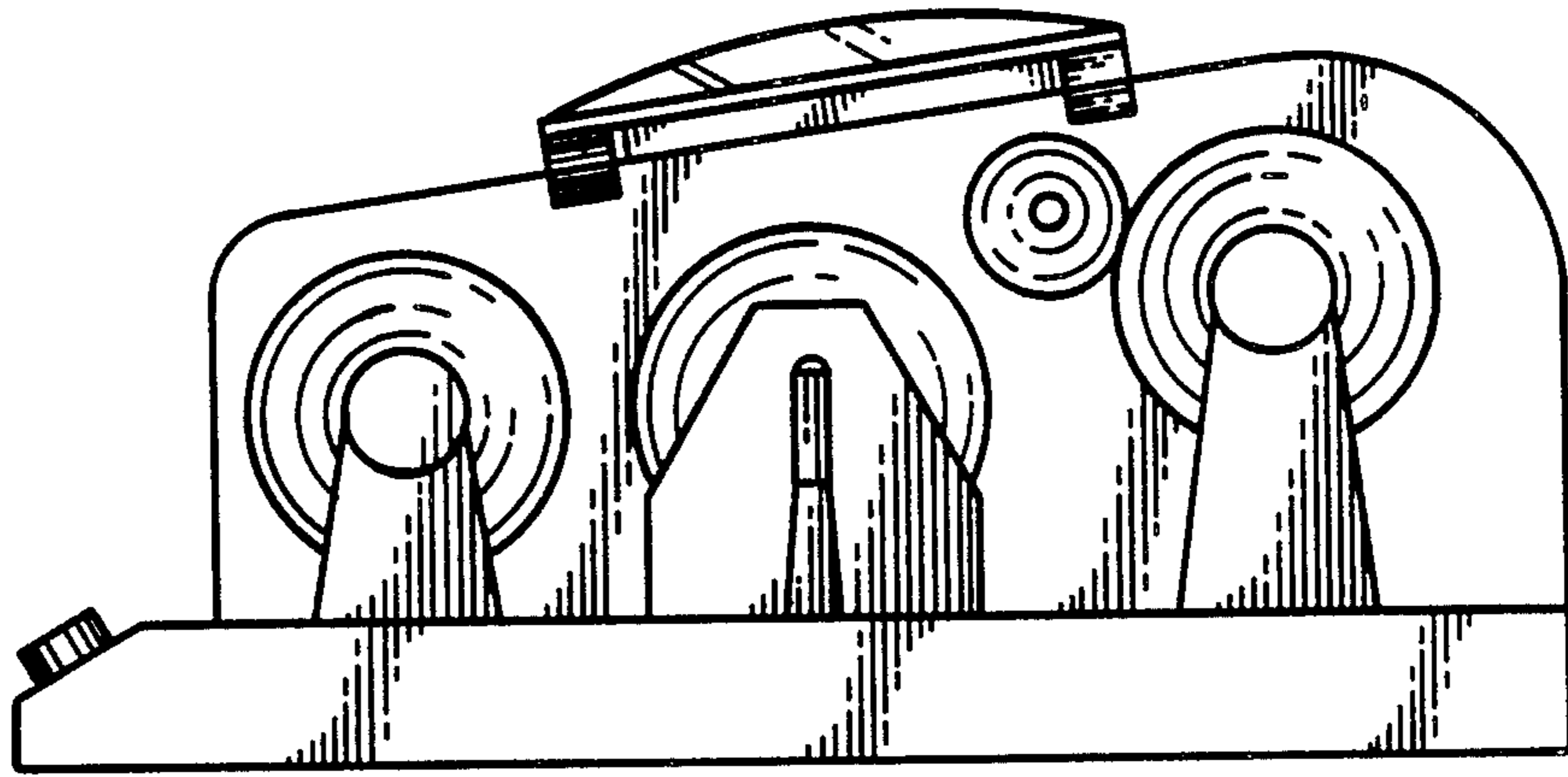


Fig. 1

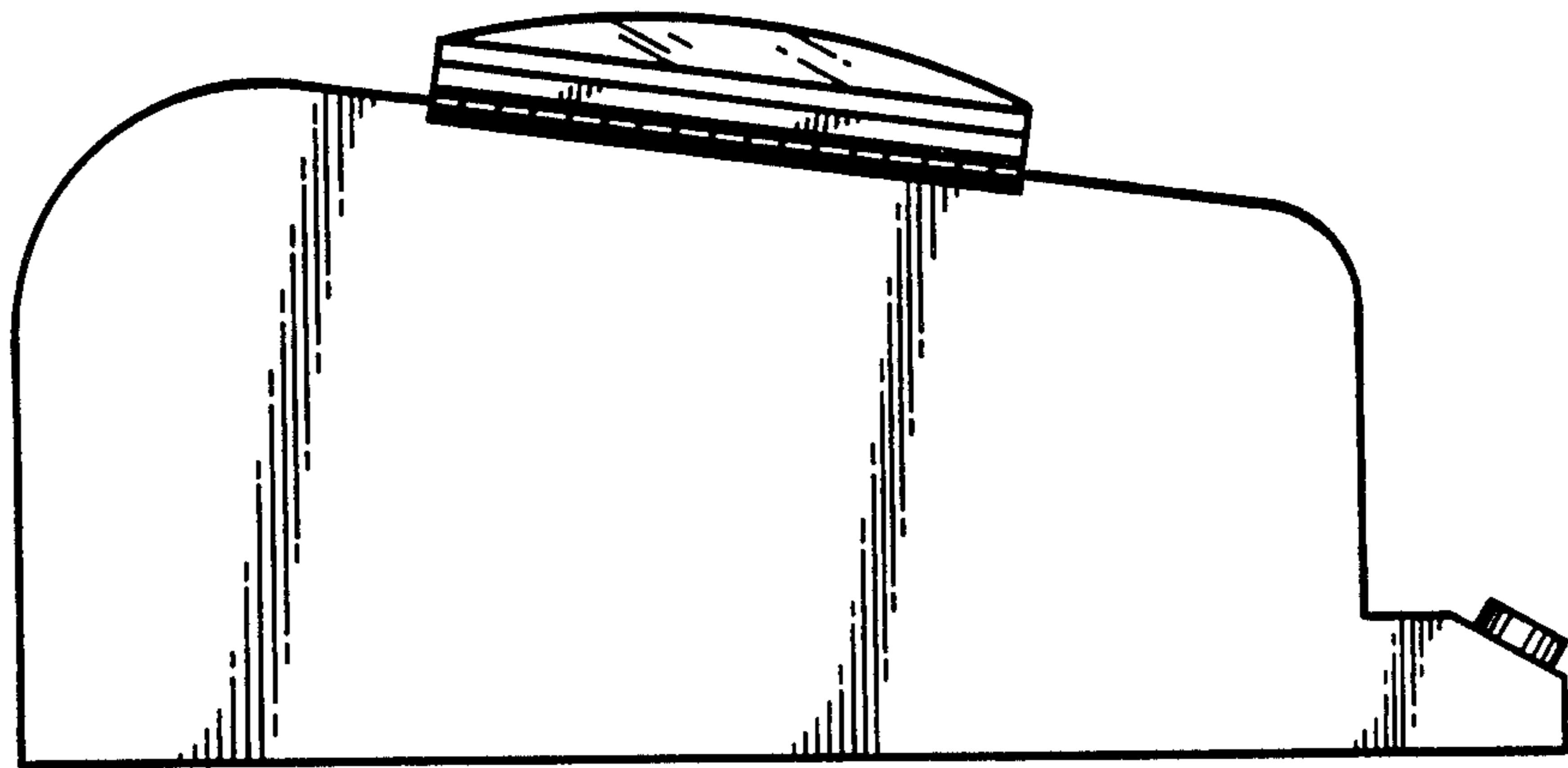


Fig. 2

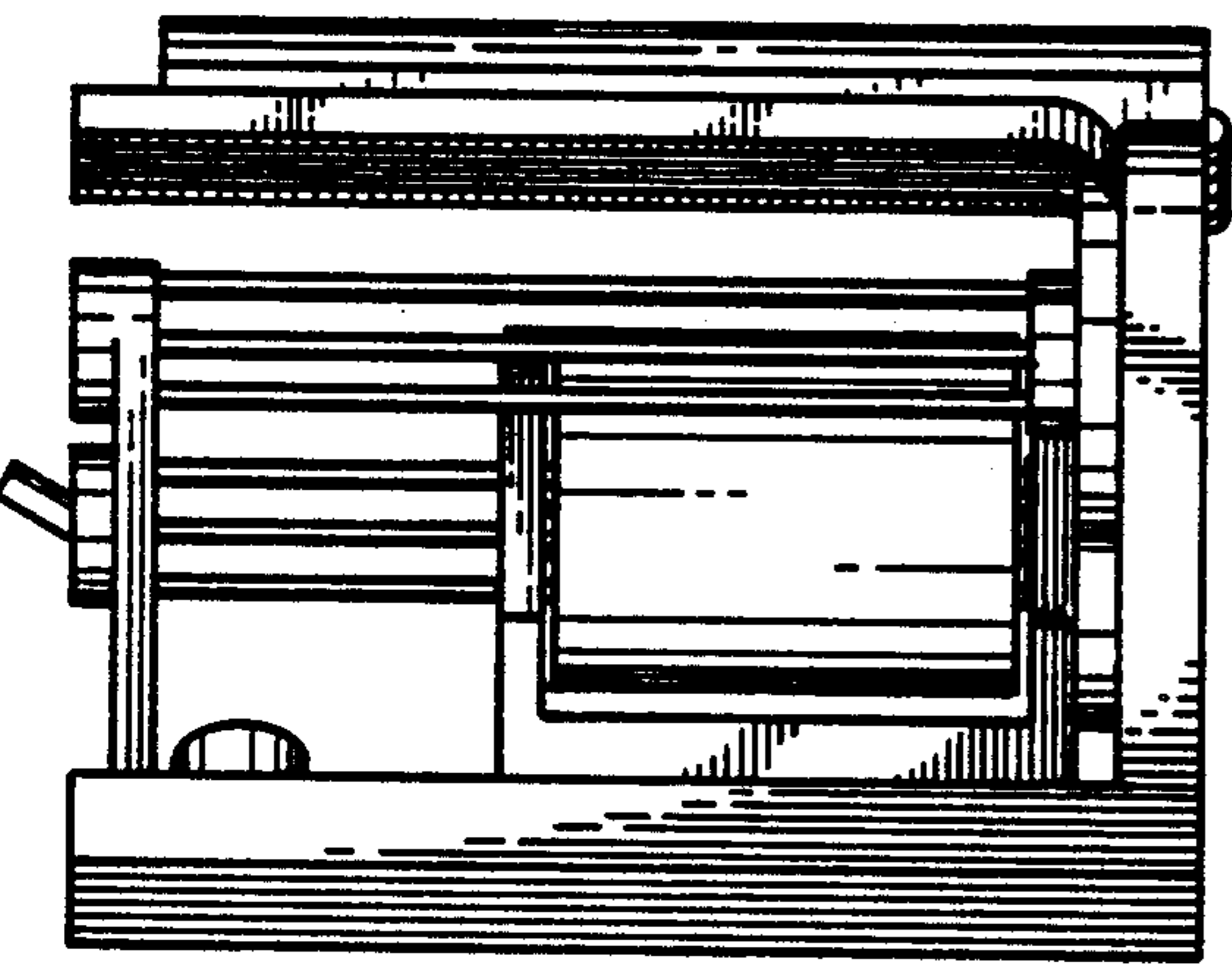


Fig. 3

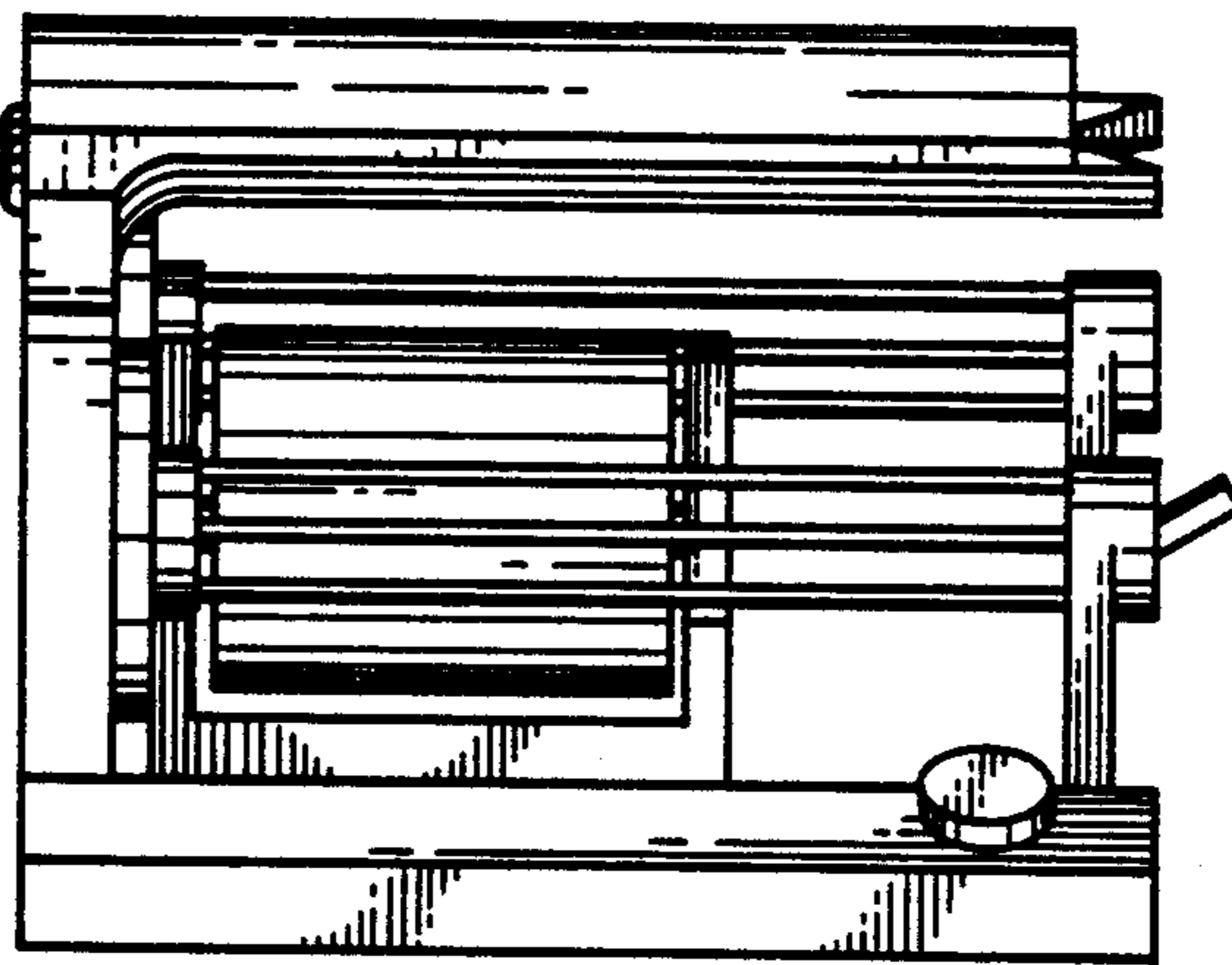


Fig. 4

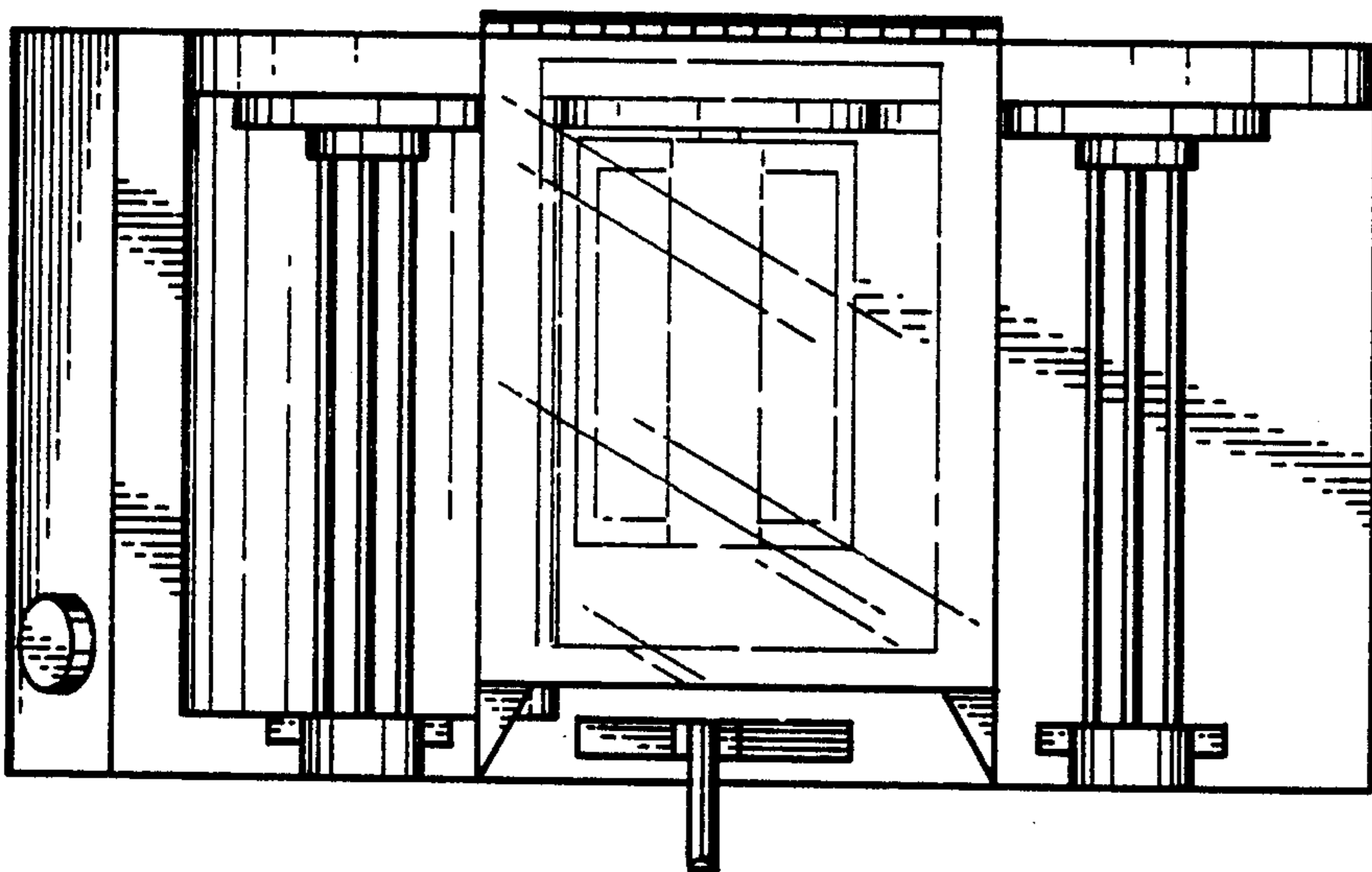


Fig. 5

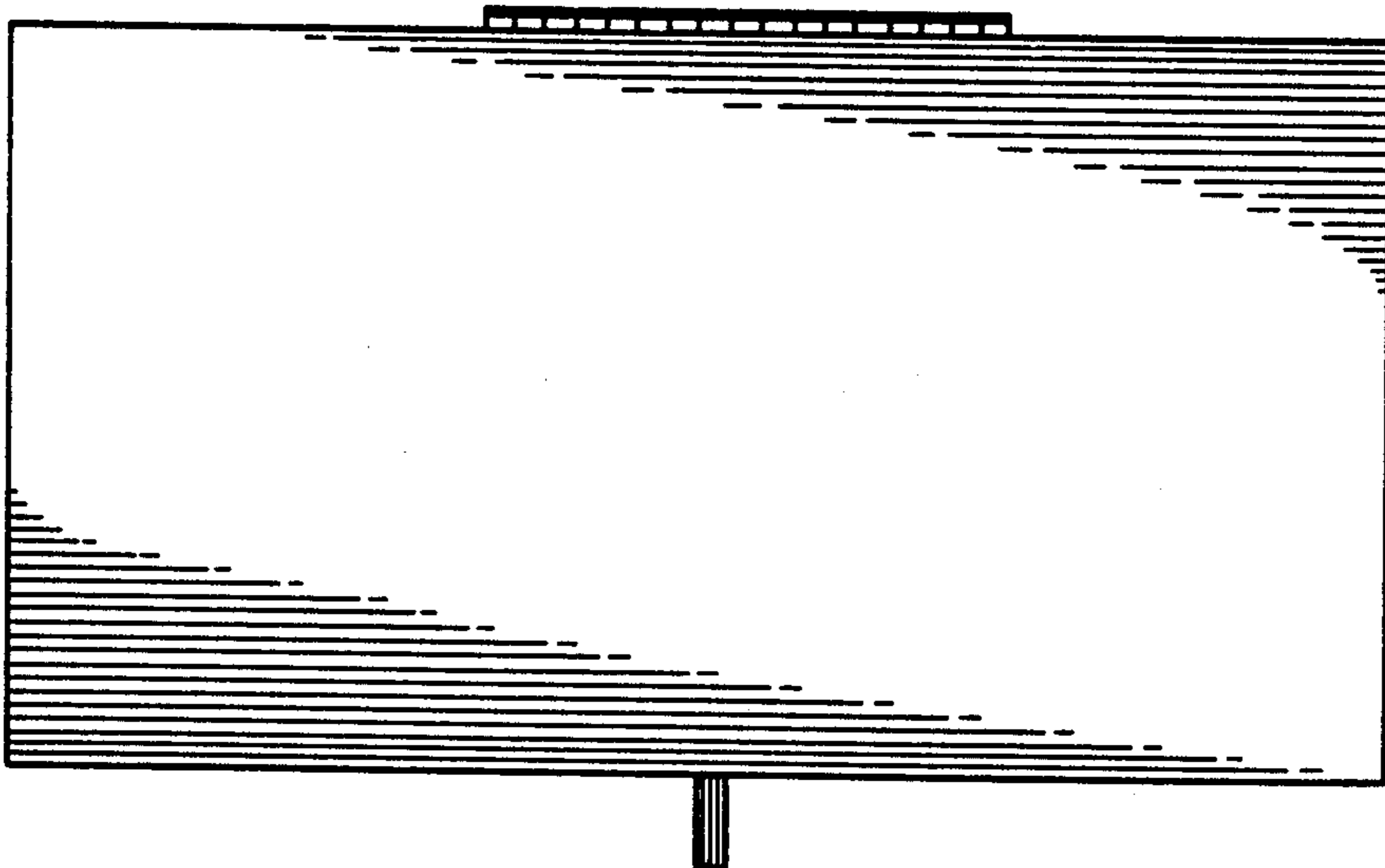


Fig. 6

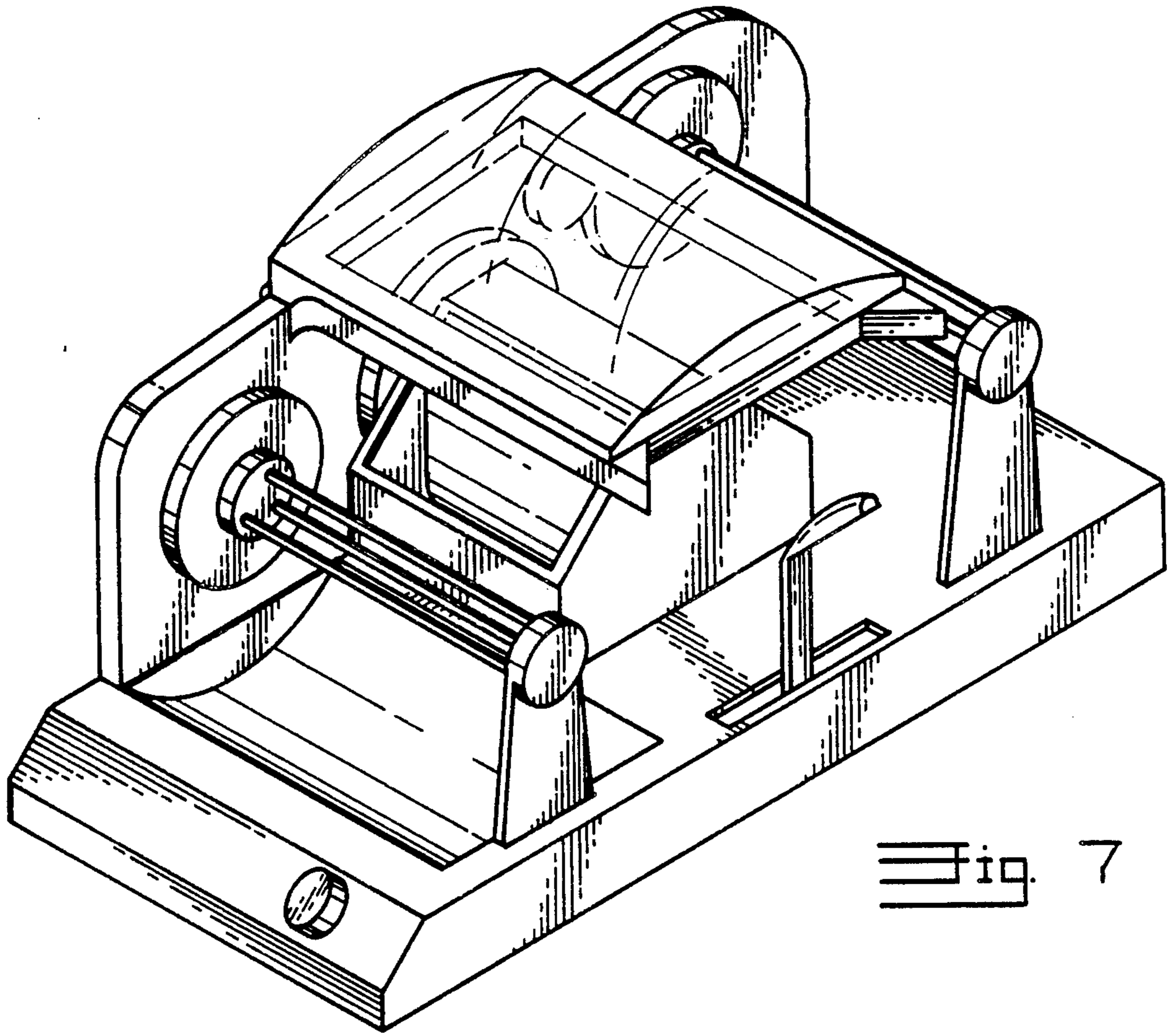


Fig. 7