

[54] **TRASH COMPACTOR**
 [75] **Inventor: John W. Turner, Jr., Houston, Tex.**
 [73] **Assignee: International Tool and Supply Company, Inc., Houston, Tex.**
 [**] **Term: 14 Years**
 [21] **Appl. No.: 724,974**
 [22] **Filed: Apr. 19, 1985**
 [52] **U.S. Cl. D15/123**
 [58] **Field of Search D15/123; D34/8; 100/229 A, 100**

3,834,299 9/1974 Bourgeois et al. 100/229 A
 3,862,595 1/1975 Longo 100/100
 3,869,978 3/1975 Steinberg et al. 100/53
 4,008,658 2/1977 Stock et al. 100/229 A
 4,524,685 6/1985 Bergmann 100/229 A
 4,656,937 4/1987 Turner, Jr. 100/229 A

FOREIGN PATENT DOCUMENTS

111358 6/1984 European Pat. Off. 100/229 A

Primary Examiner—James M. Gandy
Assistant Examiner—Kay H. Chin
Attorney, Agent, or Firm—Arnold, White & Durkee

[57] **CLAIM**

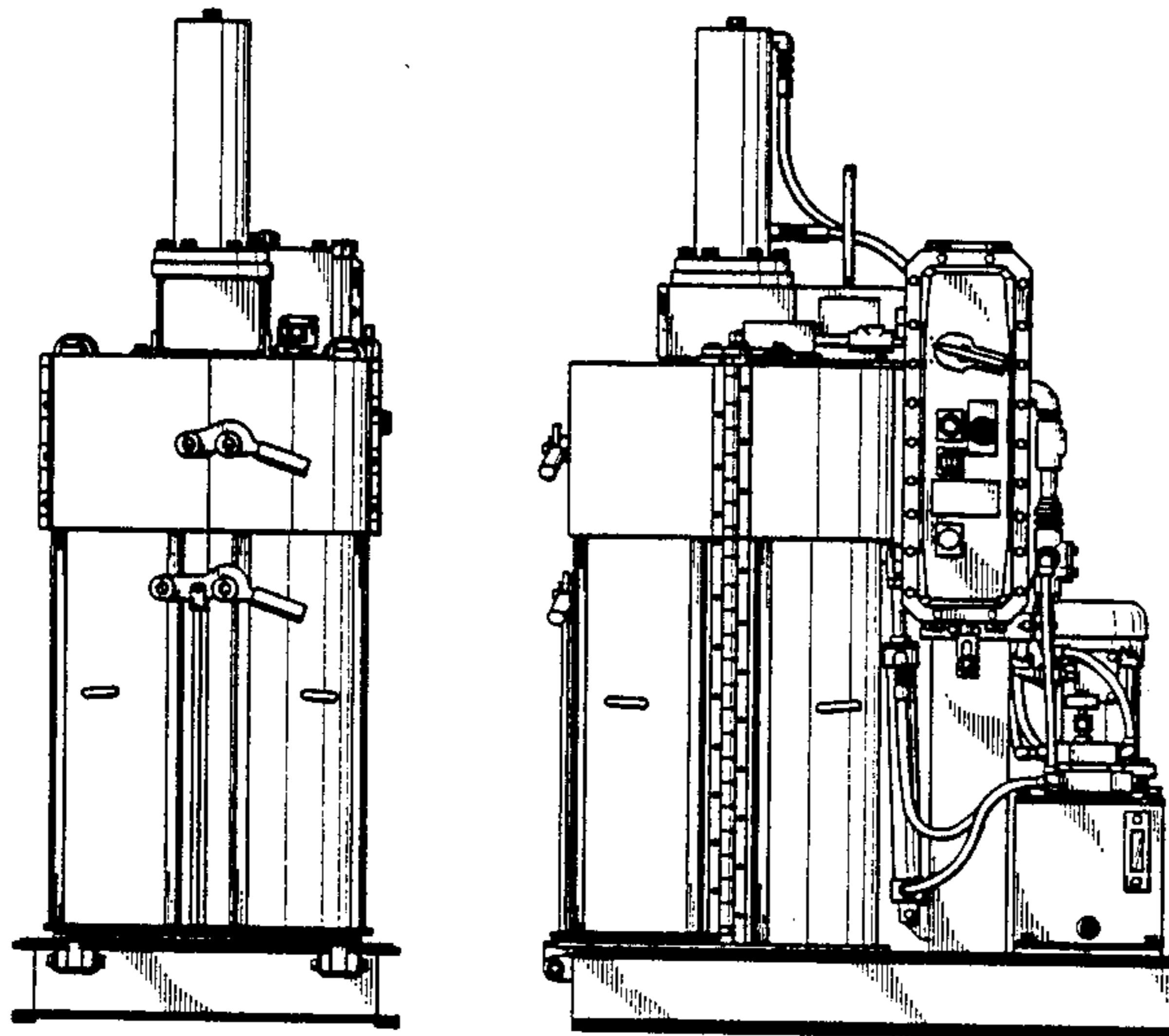
The ornamental design for a trash compactor, as shown.

DESCRIPTION

FIG. 1 is a front elevational view of a trash compactor, showing my new design;
 FIG. 2 is a right side elevational view;
 FIG. 3 is a rear elevational view;
 FIG. 4 is a left side elevational view; and
 FIG. 5 is a top plan view.

[56] **References Cited**
U.S. PATENT DOCUMENTS

D. 261,658 11/1981 Bachmann D34/8
 626,727 6/1899 Shepherd 100/219
 3,613,567 10/1971 Loughran D15/123
 3,734,006 5/1973 Hennells 100/53
 3,734,008 5/1973 Akerberg 100/229 A
 3,800,694 4/1974 Miller et al. 100/45



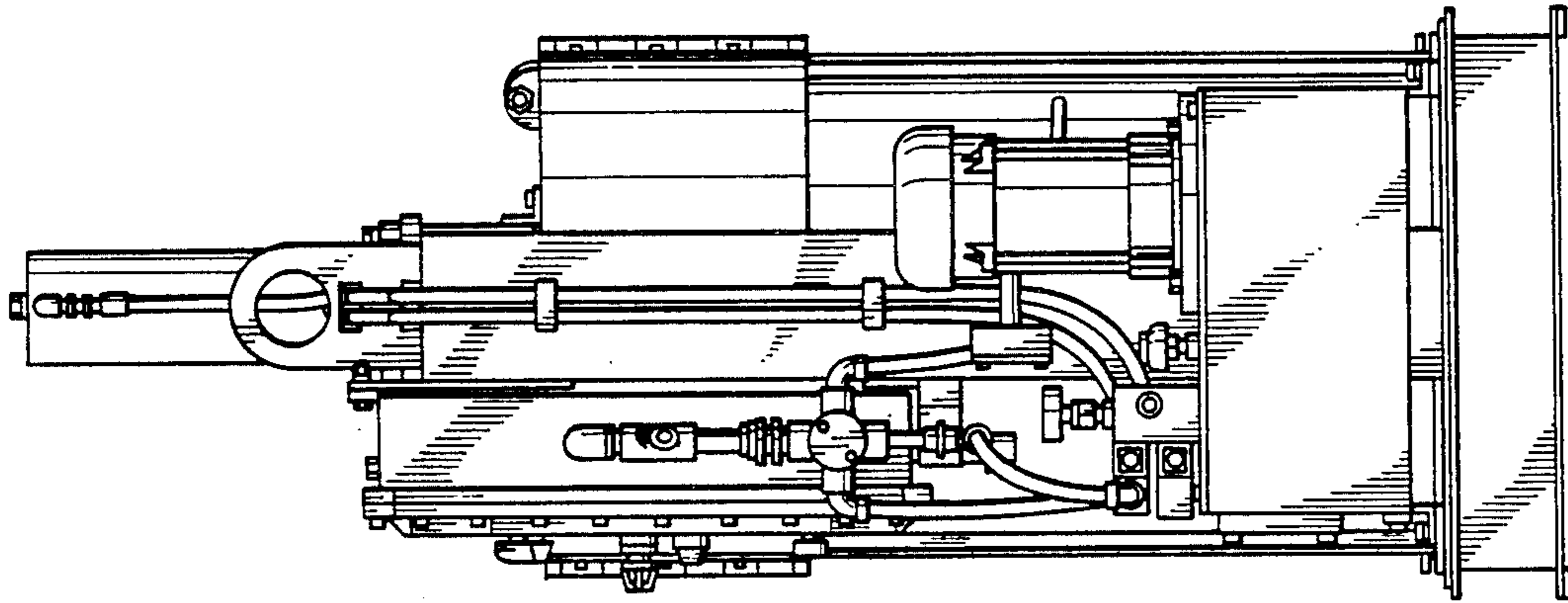


fig. 1

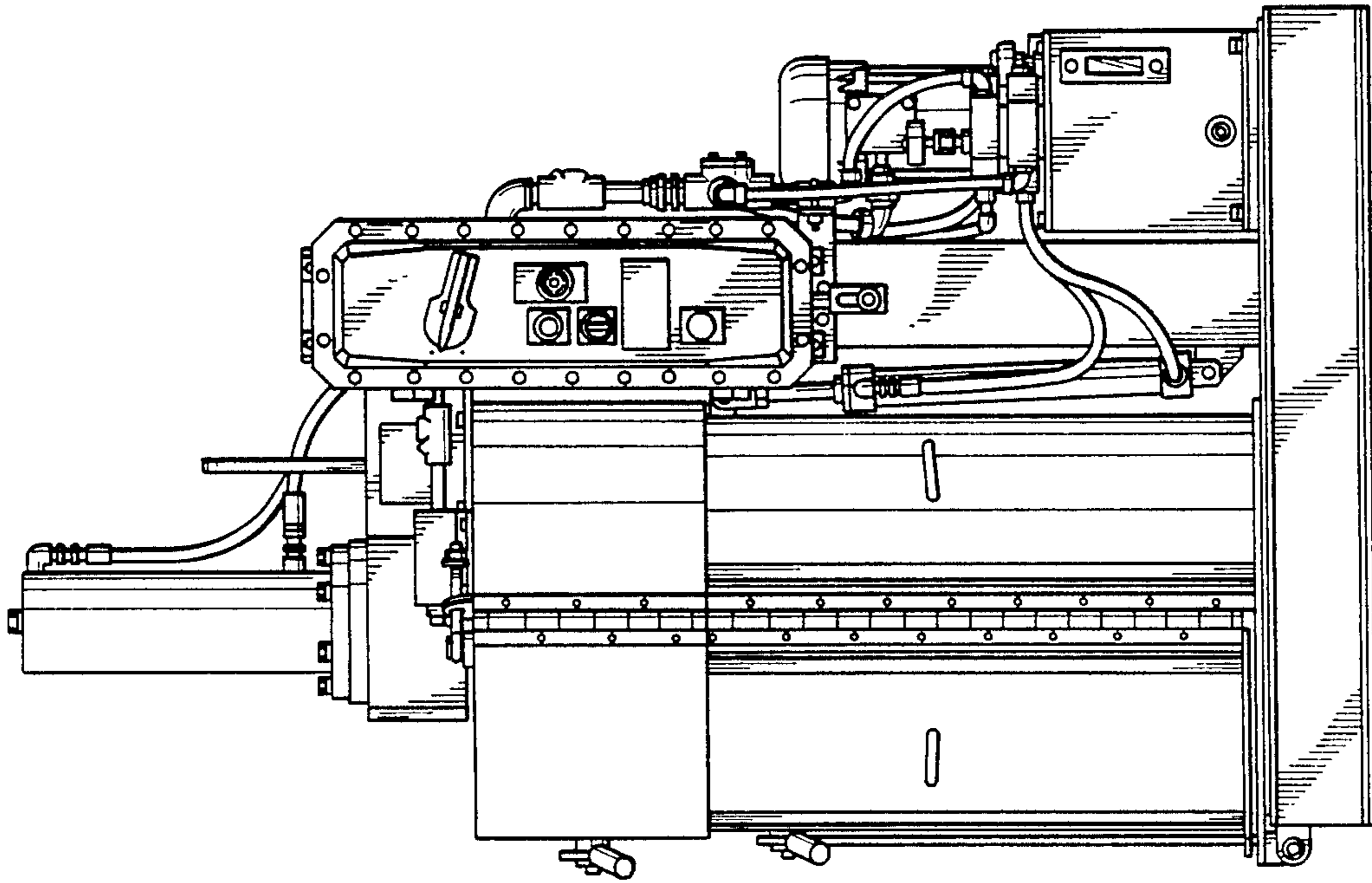


fig. 2

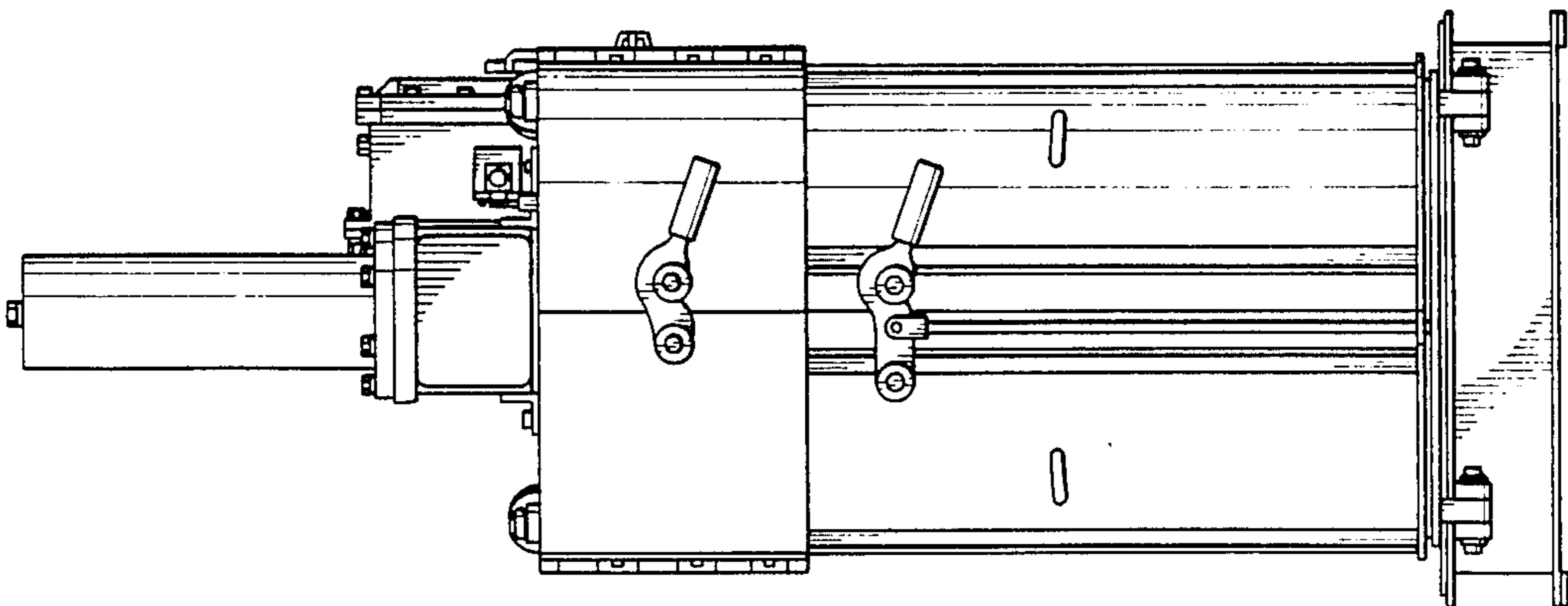


fig. 3

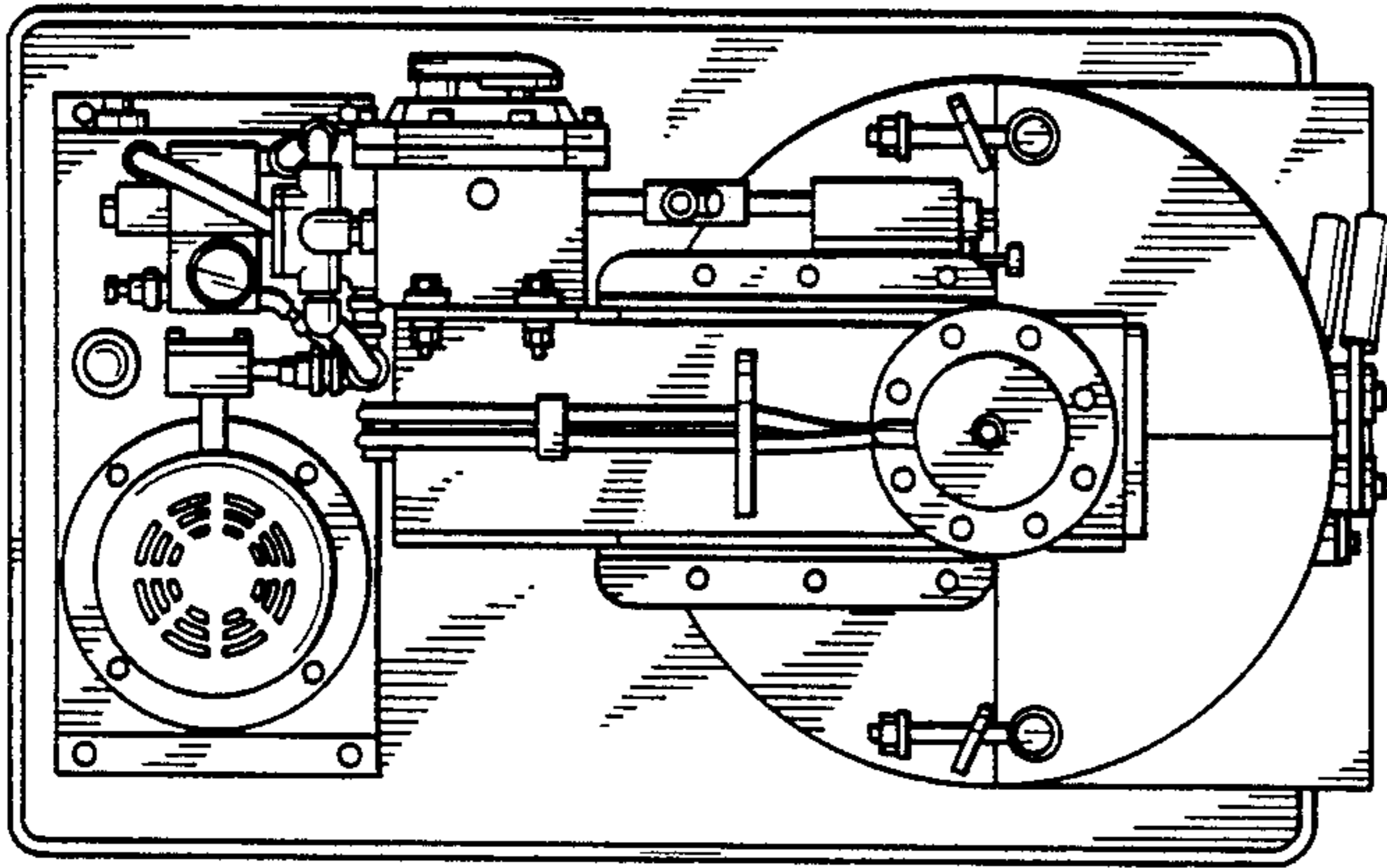


Fig. 5

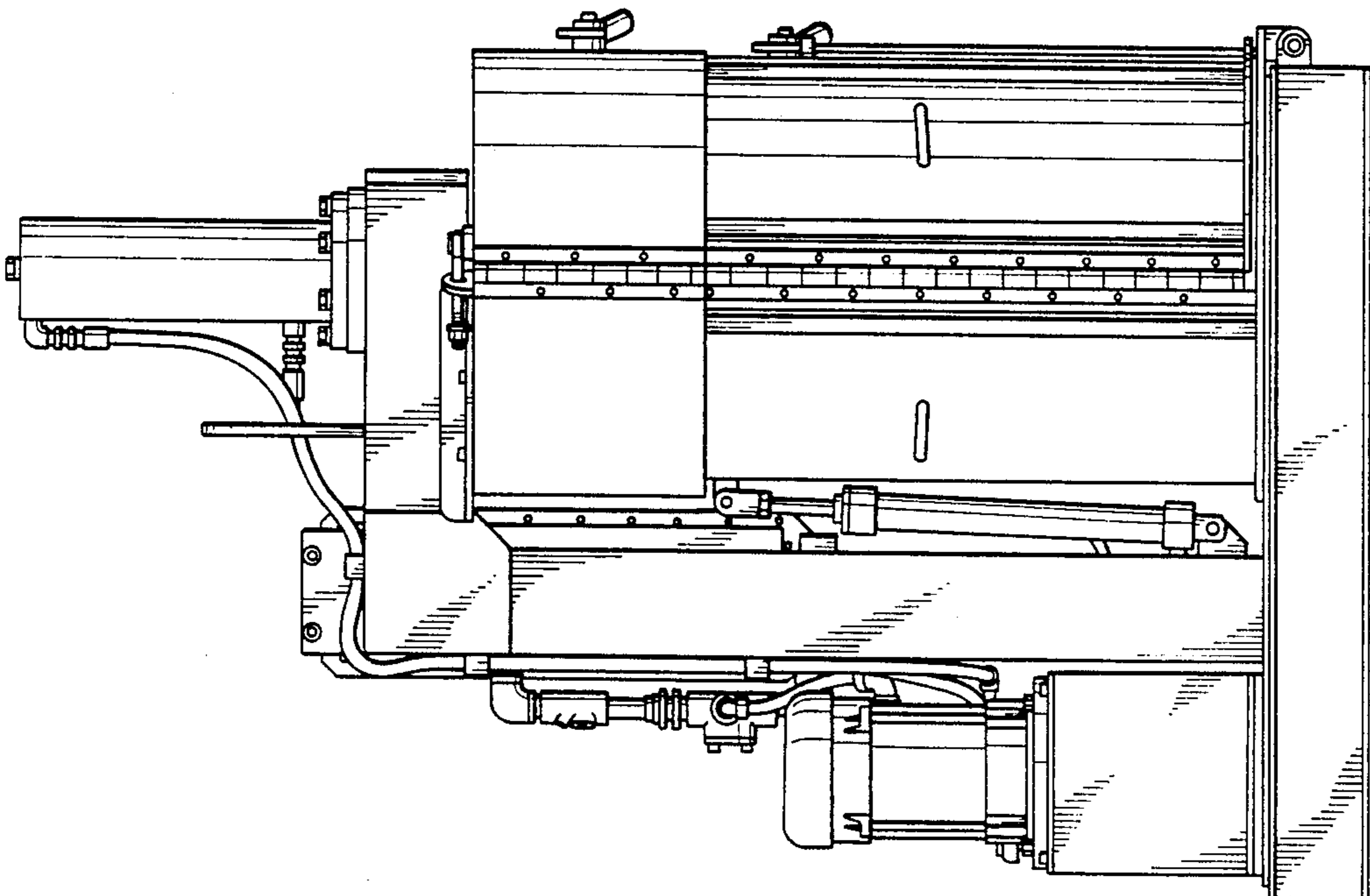


Fig. 4