

[54] LIQUID RING PUMP

[75] Inventors: Carl G. Dudeck; Ole B. Olsen, both of Newtown, Conn.

[73] Assignee: The Nash Engineering Company, Norwalk, Conn.

[\*\*] Term: 14 Years

[21] Appl. No.: 862,448

[22] Filed: May 8, 1986

[52] U.S. Cl. .... D15/7

[58] Field of Search ..... D15/7, 9; 417/65-66, 417/68-69

[56] References Cited

U.S. PATENT DOCUMENTS

D. 285,447	9/1986	Dudeck et al. ....	D15/7
4,521,161	6/1985	Olsen et al. ....	417/68
4,613,283	9/1986	Haavik .....	417/68

OTHER PUBLICATIONS

Bulletin No. 704-A "Operation and Maintenance; Nash Two-Stage Vacuum Pump", Nash Engineering Company, Norwalk, Conn. (1984).

Primary Examiner—Wallace R. Burke

Assistant Examiner—Brian N. Vinson

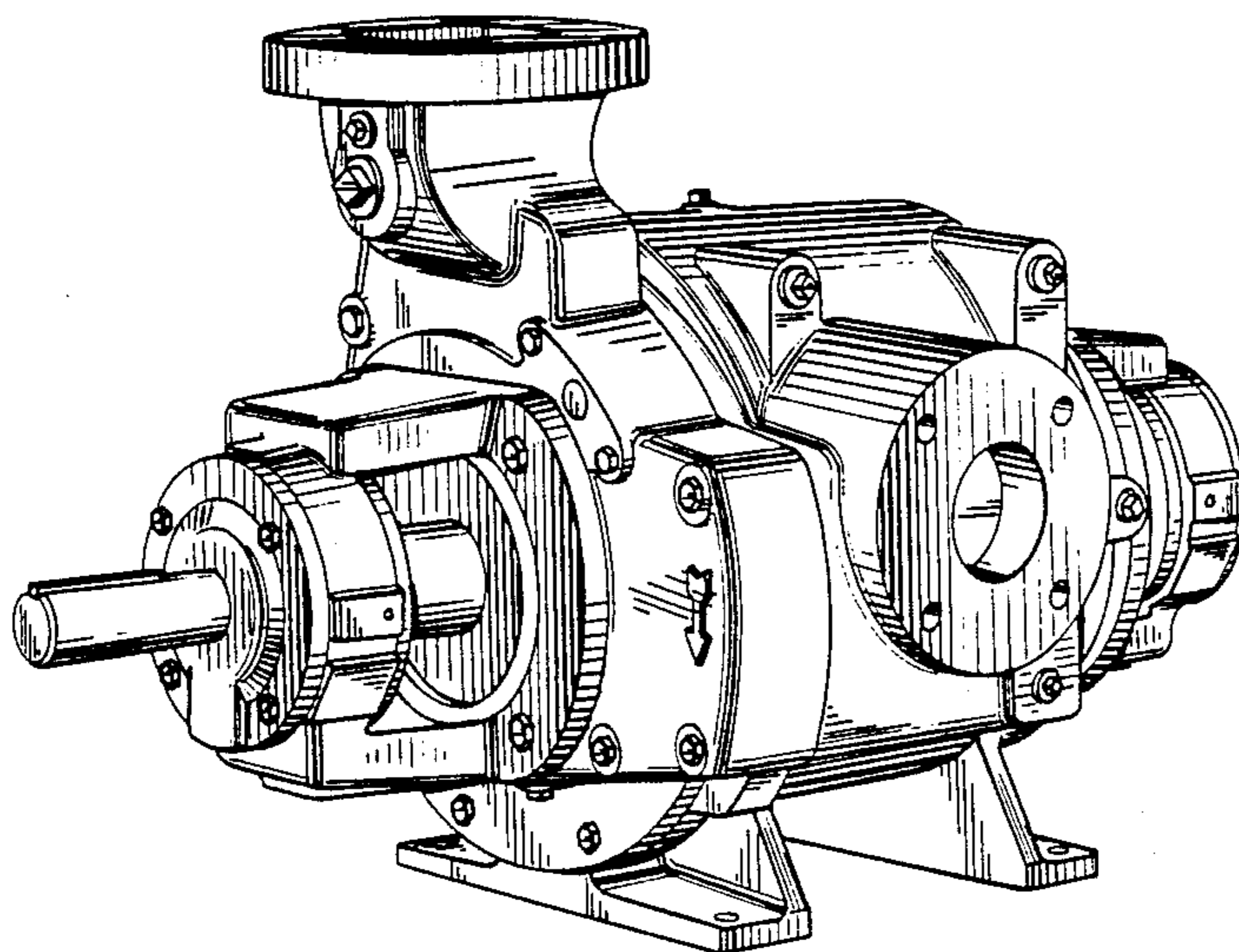
Attorney, Agent, or Firm—Robert R. Jackson

[57] CLAIM

The ornamental design for a liquid ring pump, as shown and described.

DESCRIPTION

FIG. 1 is a perspective view of a liquid ring pump showing a first embodiment of our new design;  
 FIG. 2 is a side elevational view thereof;  
 FIG. 3 is an elevational view of the opposite side thereof;  
 FIG. 4 is an end elevational view thereof;  
 FIG. 5 is an elevational view of the opposite end thereof;  
 FIG. 6 is a top plan view thereof;  
 FIG. 7 is a bottom plan view thereof;  
 FIG. 8 is a side elevational view of a second embodiment thereof;  
 FIG. 9 is an elevational view of the opposite side of the embodiment of FIG. 8;  
 FIG. 10 is an end elevational view of the embodiment of FIG. 8;  
 FIG. 11 is an elevational view of the opposite end of the embodiment of FIG. 8;  
 FIG. 12 is a top plan view of the embodiment of FIG. 8; and,  
 FIG. 13 is a bottom plan view of the embodiment of FIG. 8.



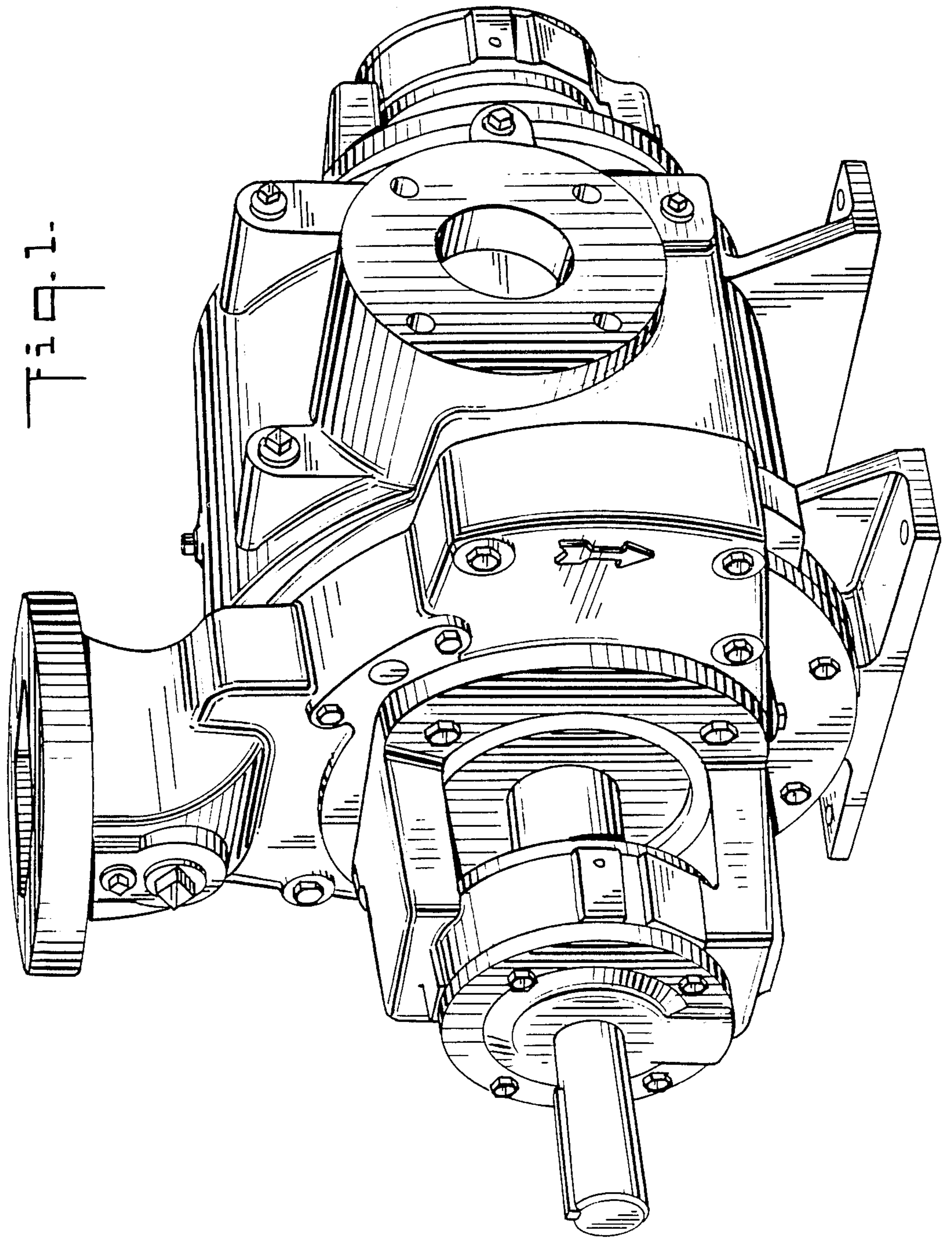


Fig. 2.

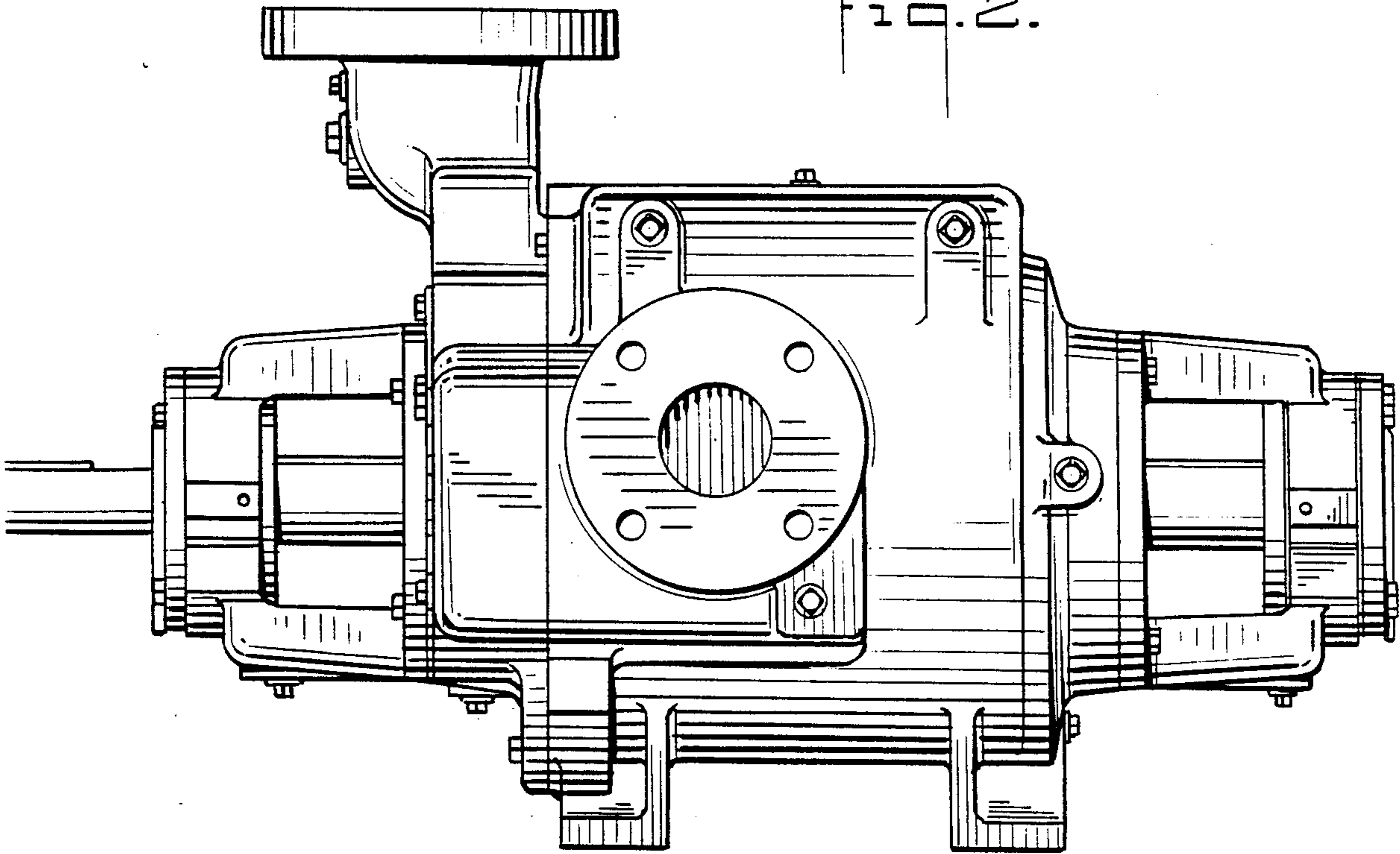
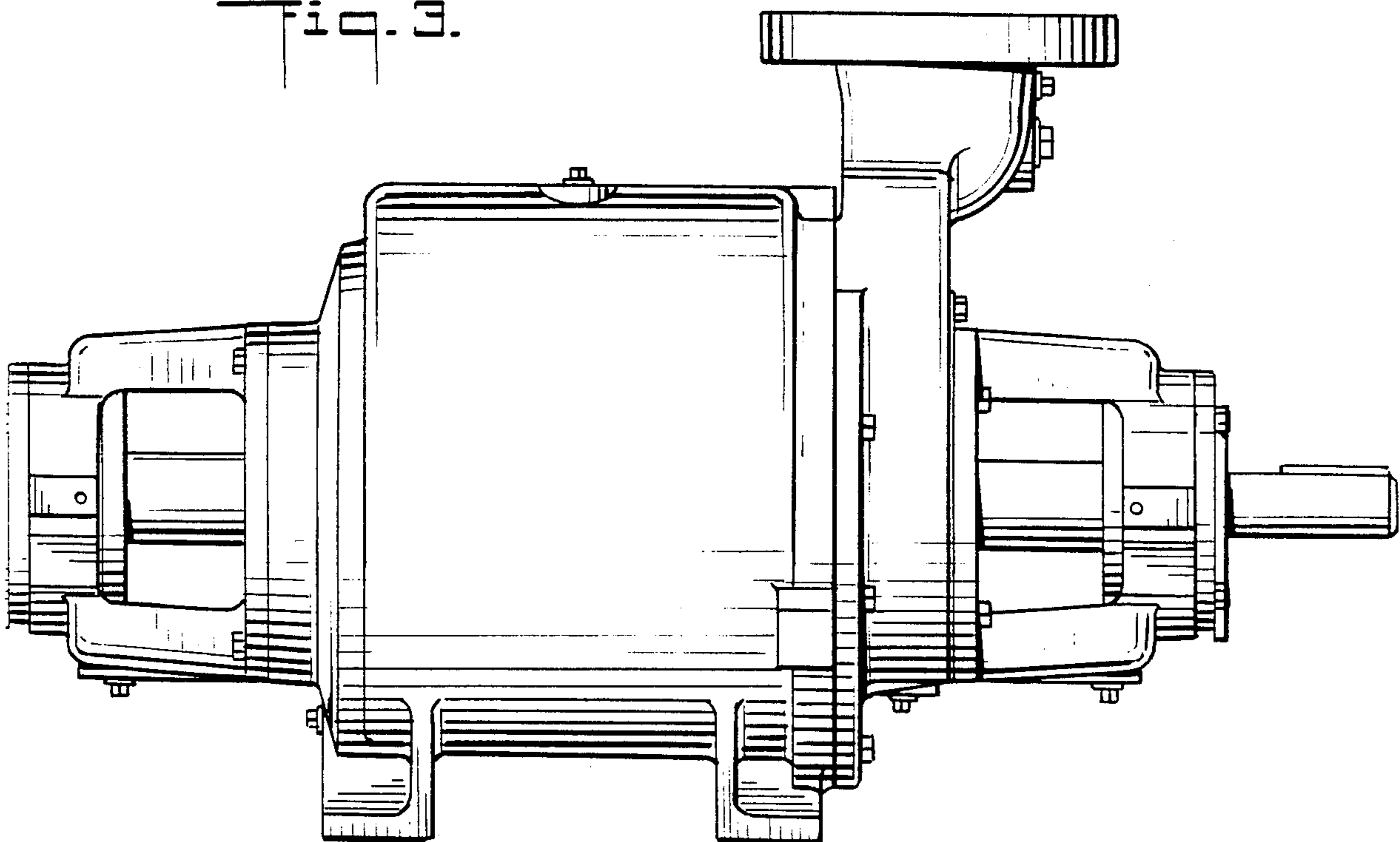


Fig. 3.



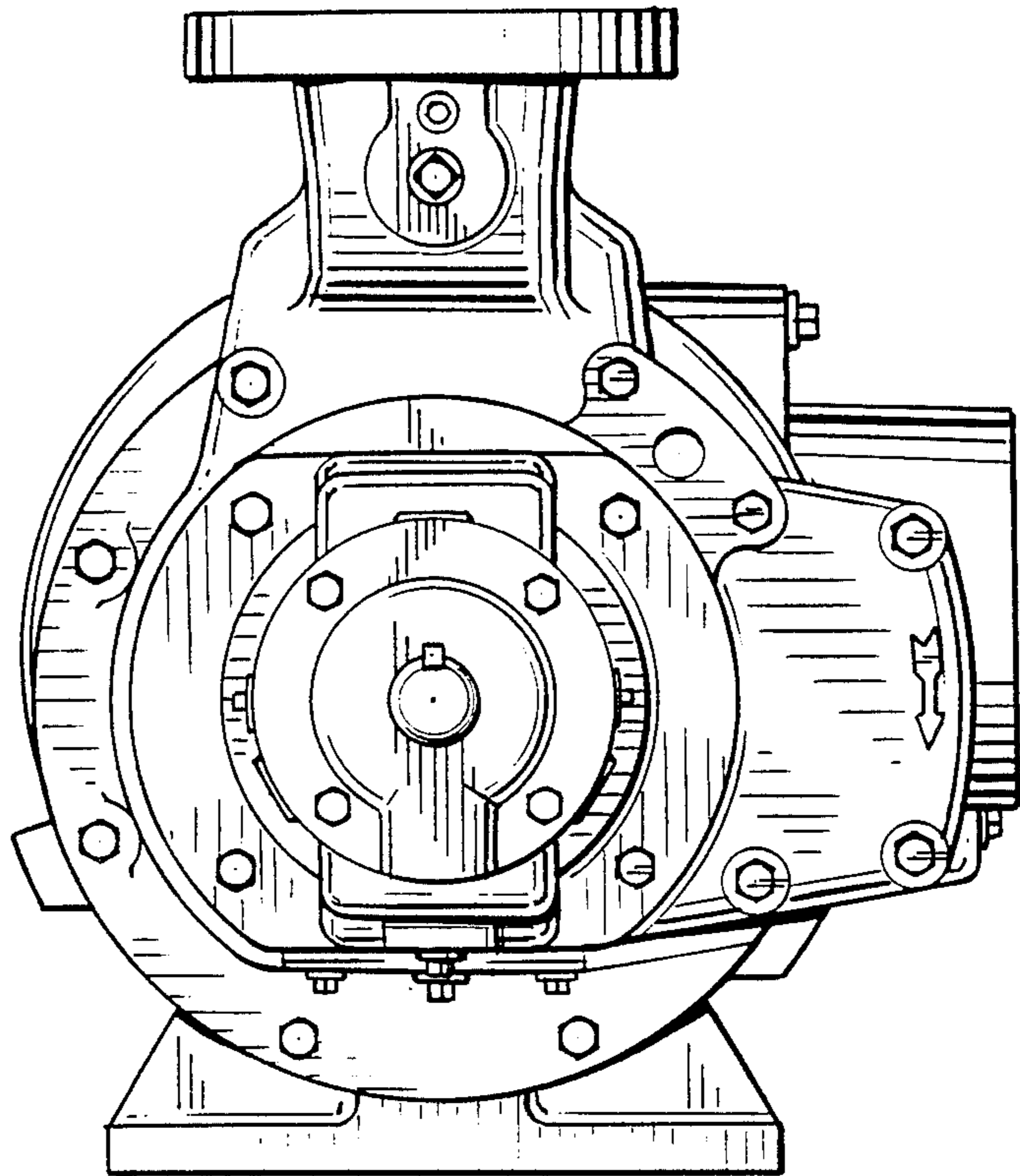


Fig. 4.

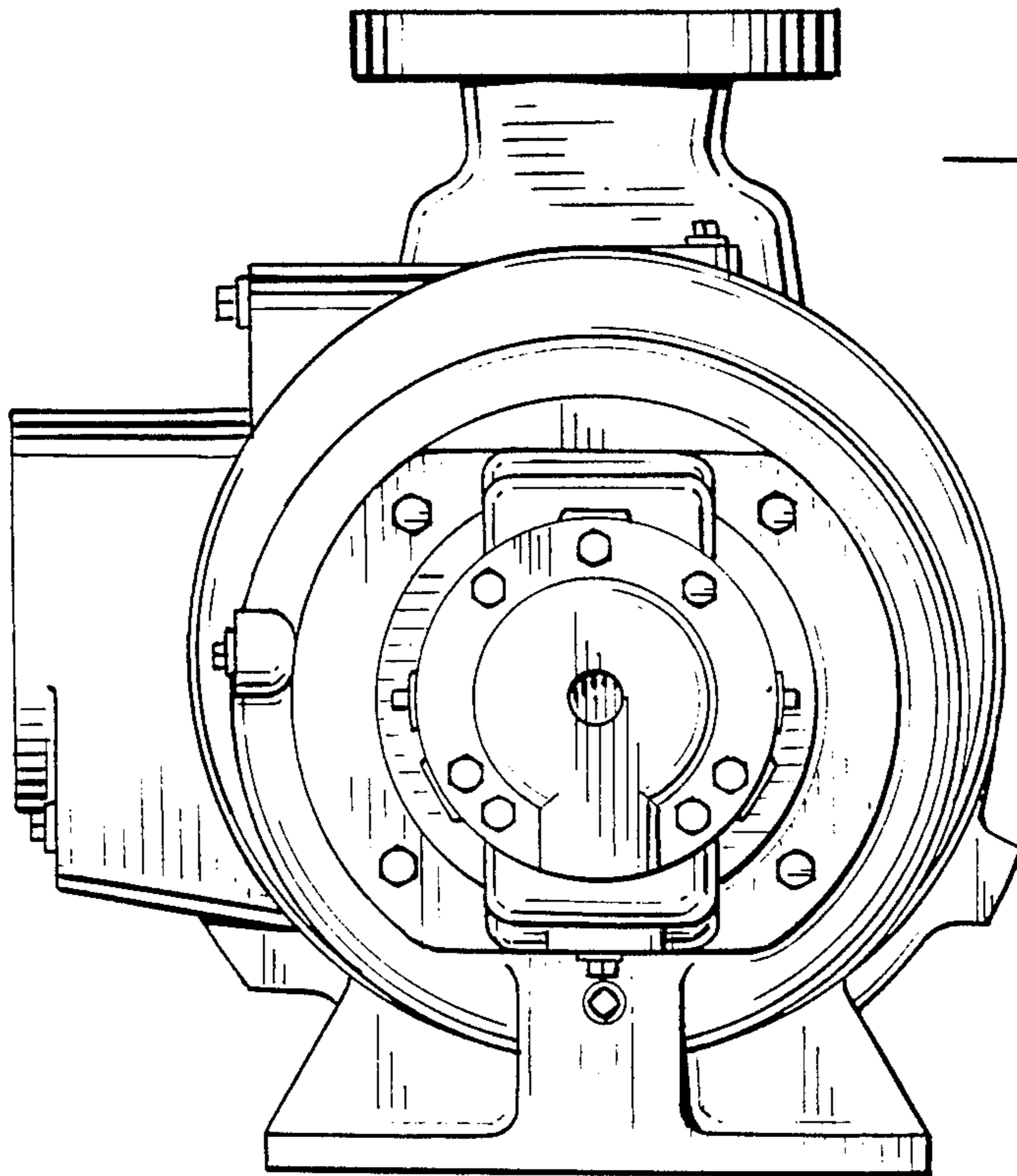


Fig. 5.

Fig. 6.

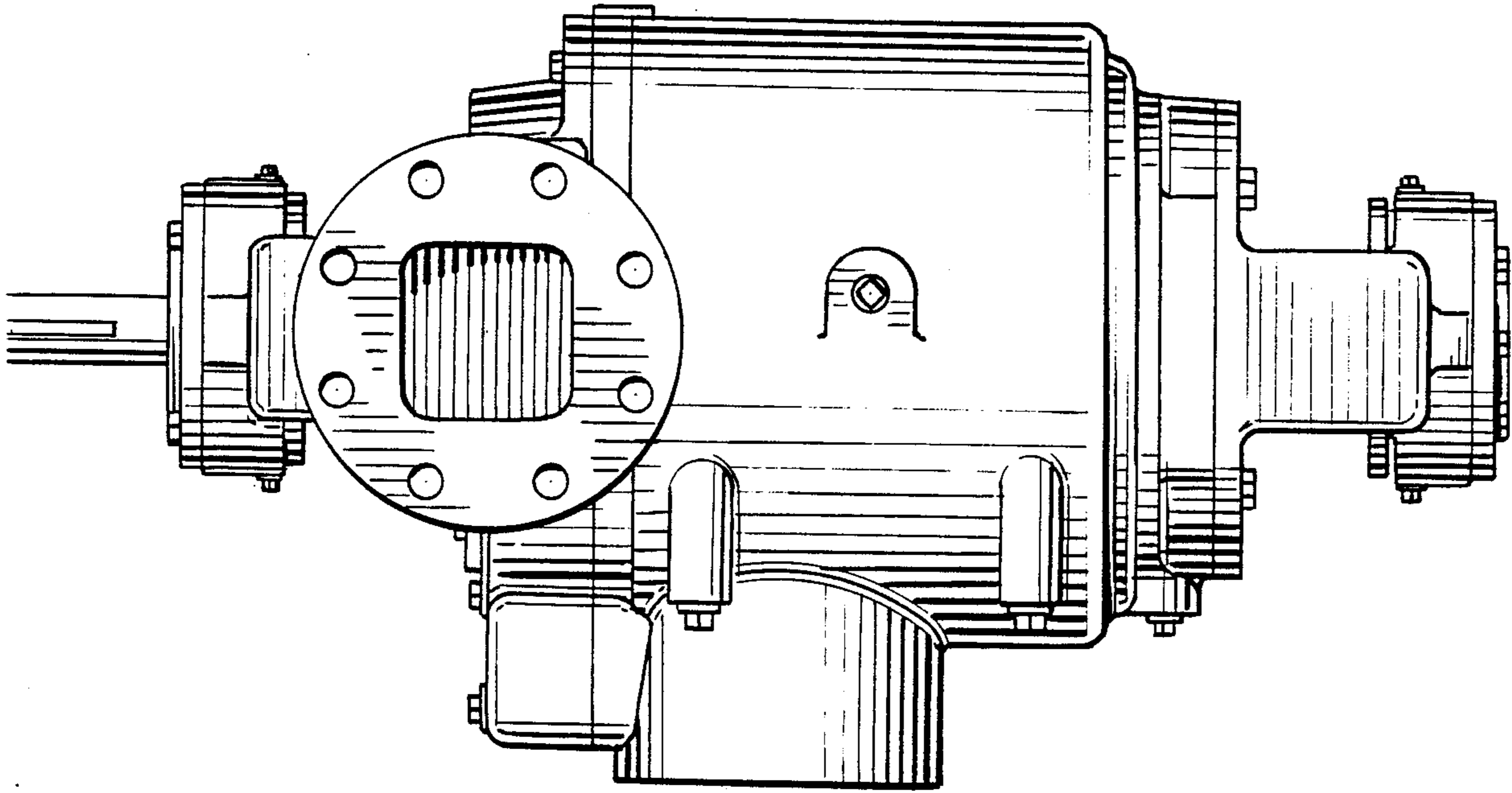
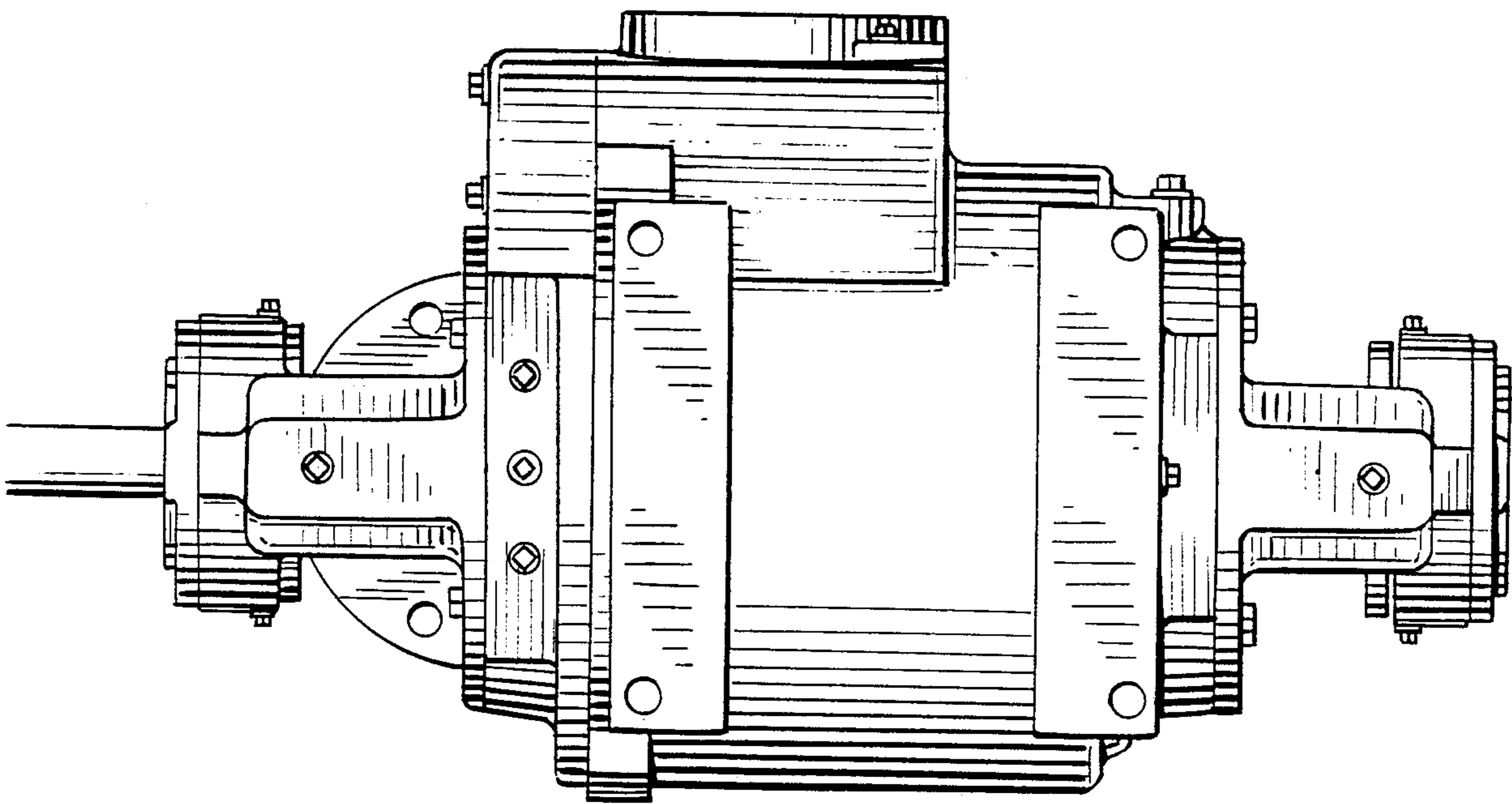
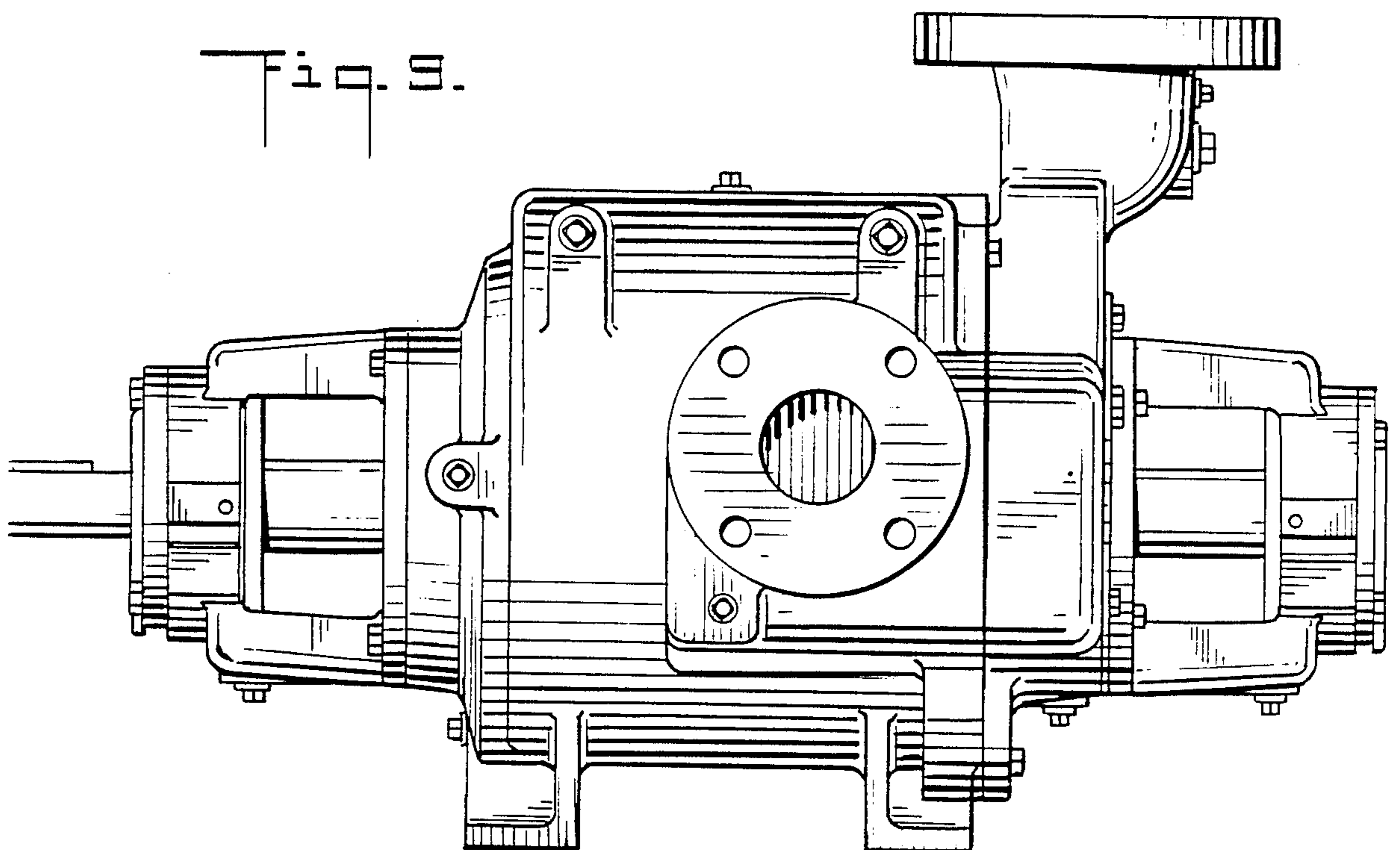
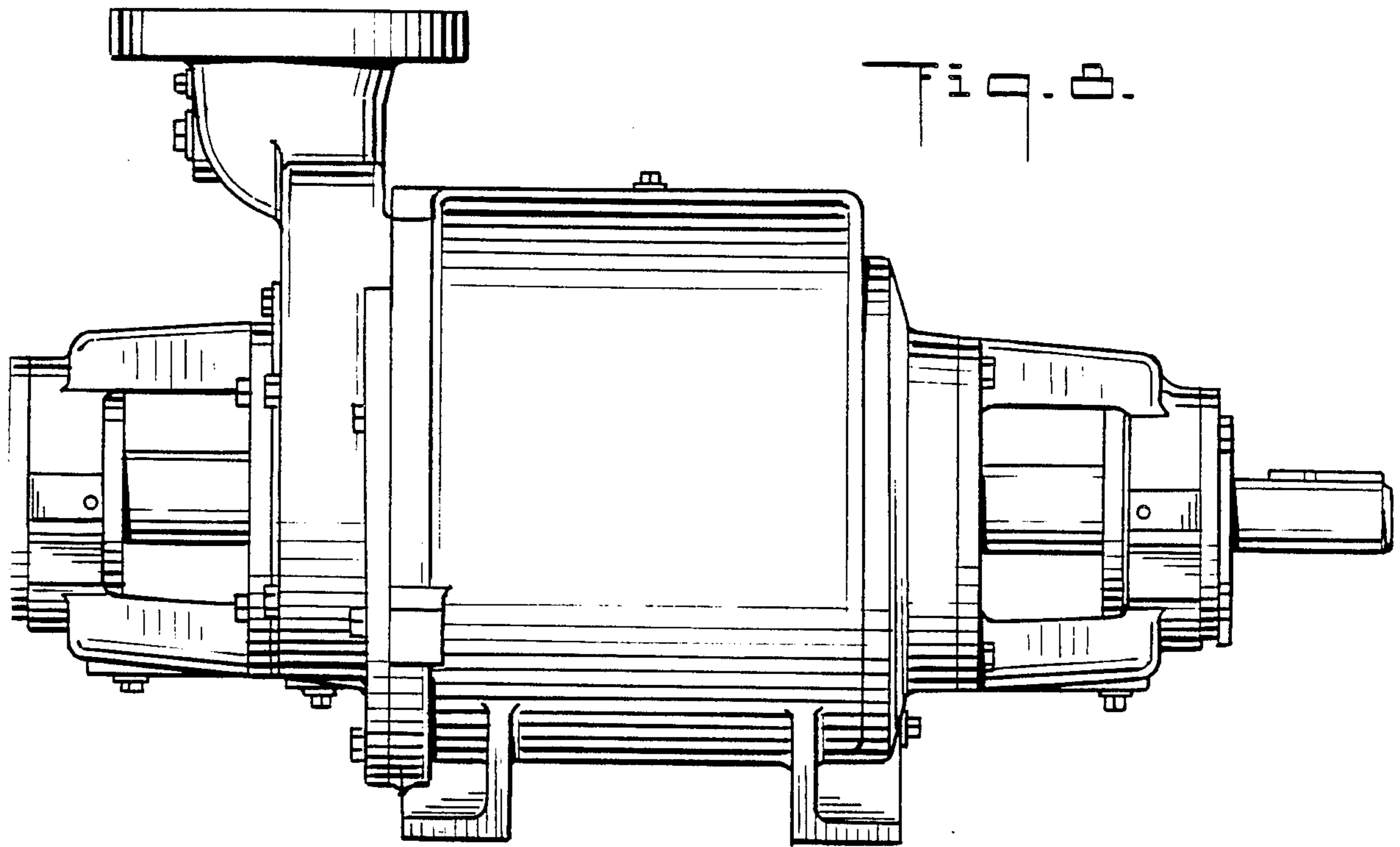


Fig. 7.





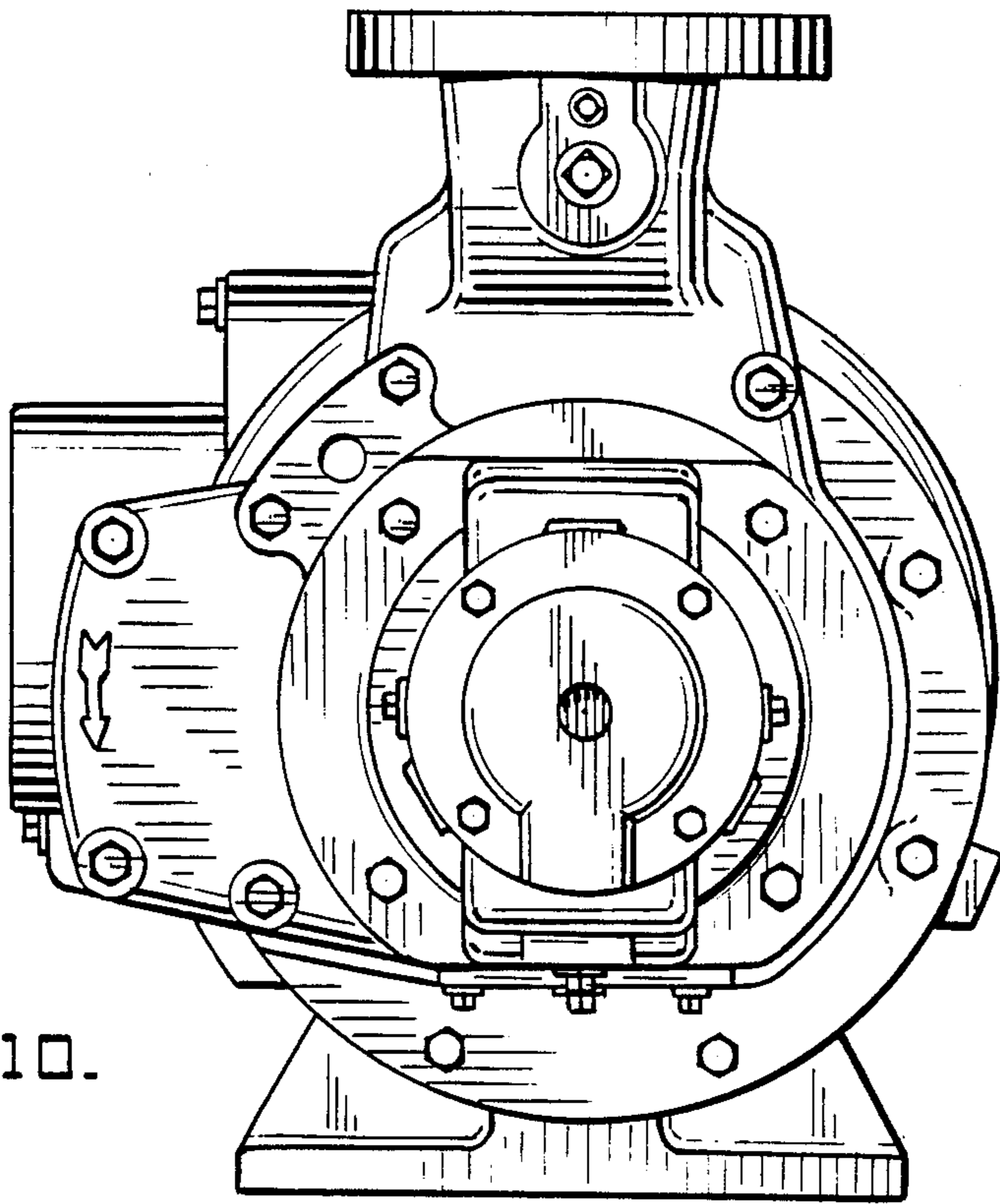


Fig. 10.

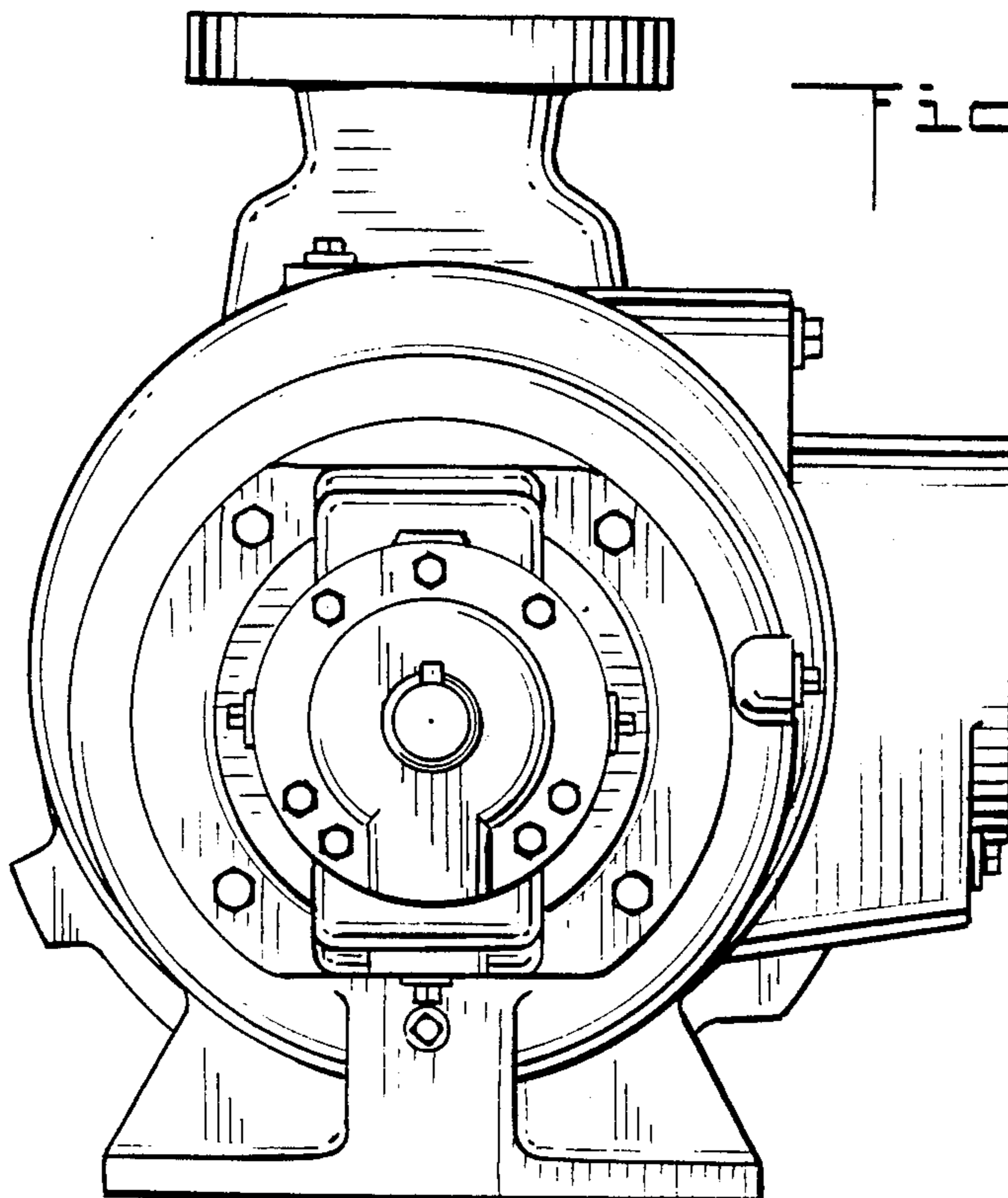


Fig. 11.

Fig. 12.

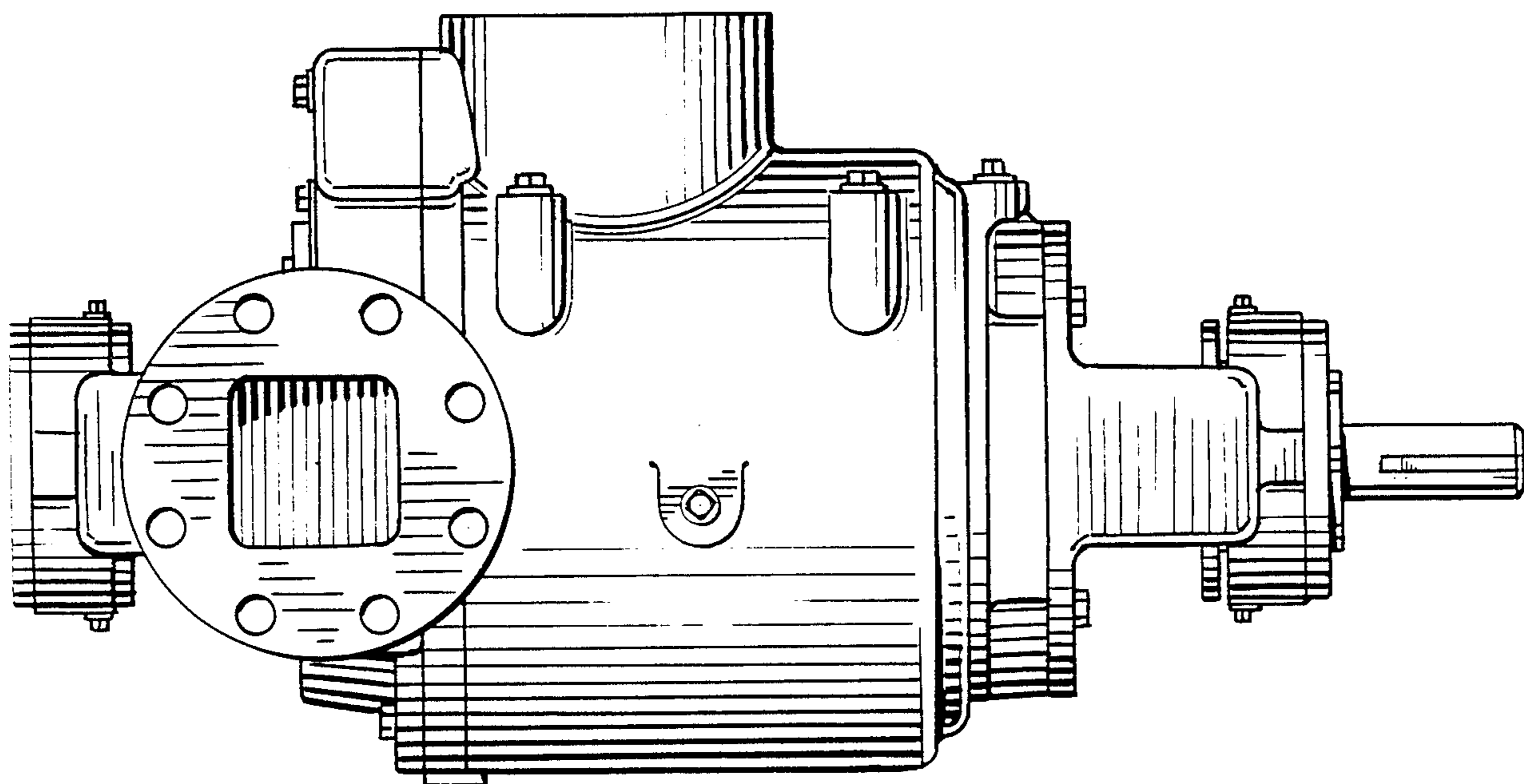


Fig. 13.

