

[54] **FLUID EJECTOR PUMP**
 [75] **Inventor: James D. Gray, Bethany, Okla.**
 [73] **Assignee: Corken International Corporation, Oklahoma City, Okla.**
 [**] **Term: 14 Years**
 [21] **Appl. No.: 747,821**
 [22] **Filed: Jun. 24, 1985**
 [52] **U.S. Cl. D15/7**
 [58] **Field of Search D23/14-16, D23/40-47; D15/7; 137/888; 417/151, 181**

4,632,649 12/1986 Segebrecht et al. 417/151

OTHER PUBLICATIONS

Ametek, Schutte and Koerting Division, Bulletin No. 2M.
 Penberthy Houdaille Section 1000, Bulletin 1300, issued 3/76.

Primary Examiner—James R. Largen
Attorney, Agent, or Firm—Laney, Dougherty, Hessin & Beavers

[56] **References Cited**

U.S. PATENT DOCUMENTS

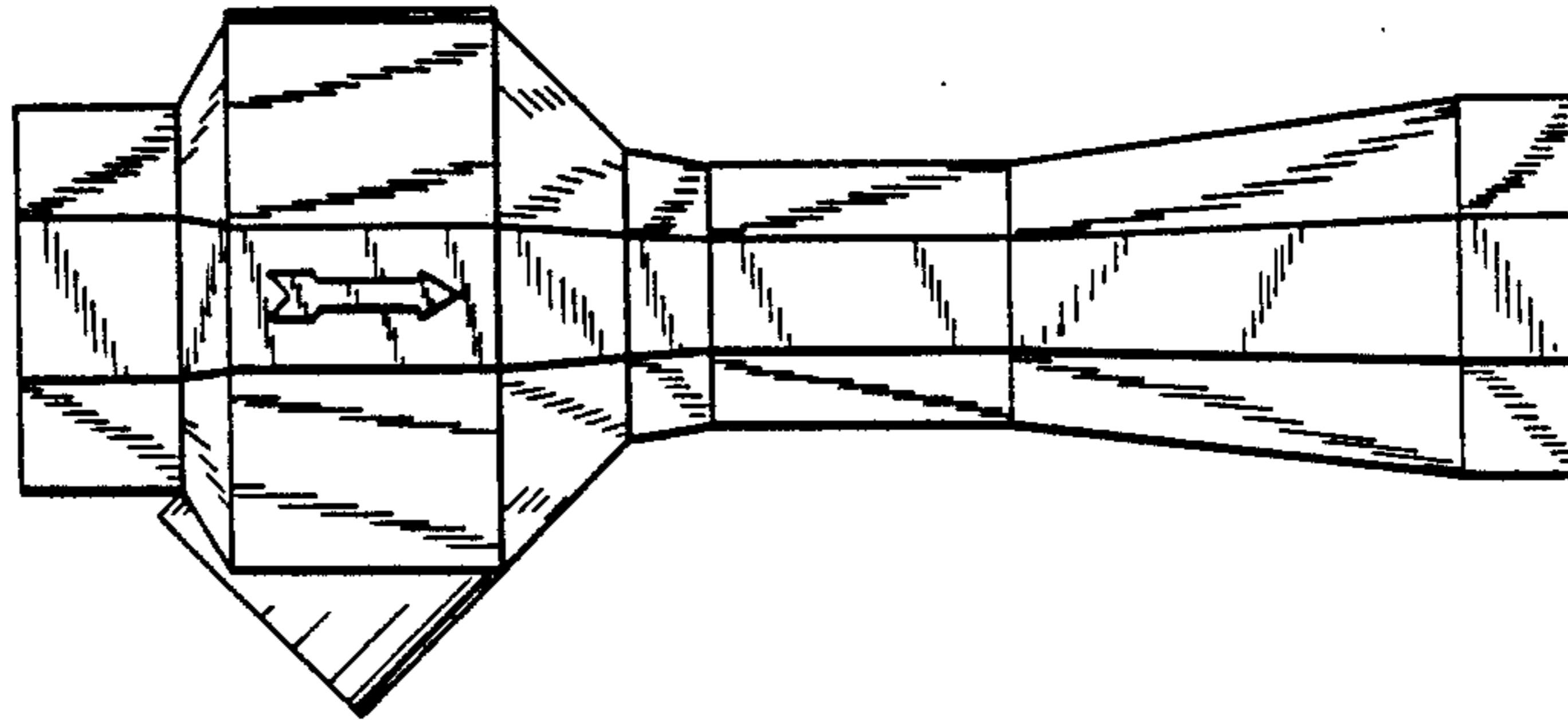
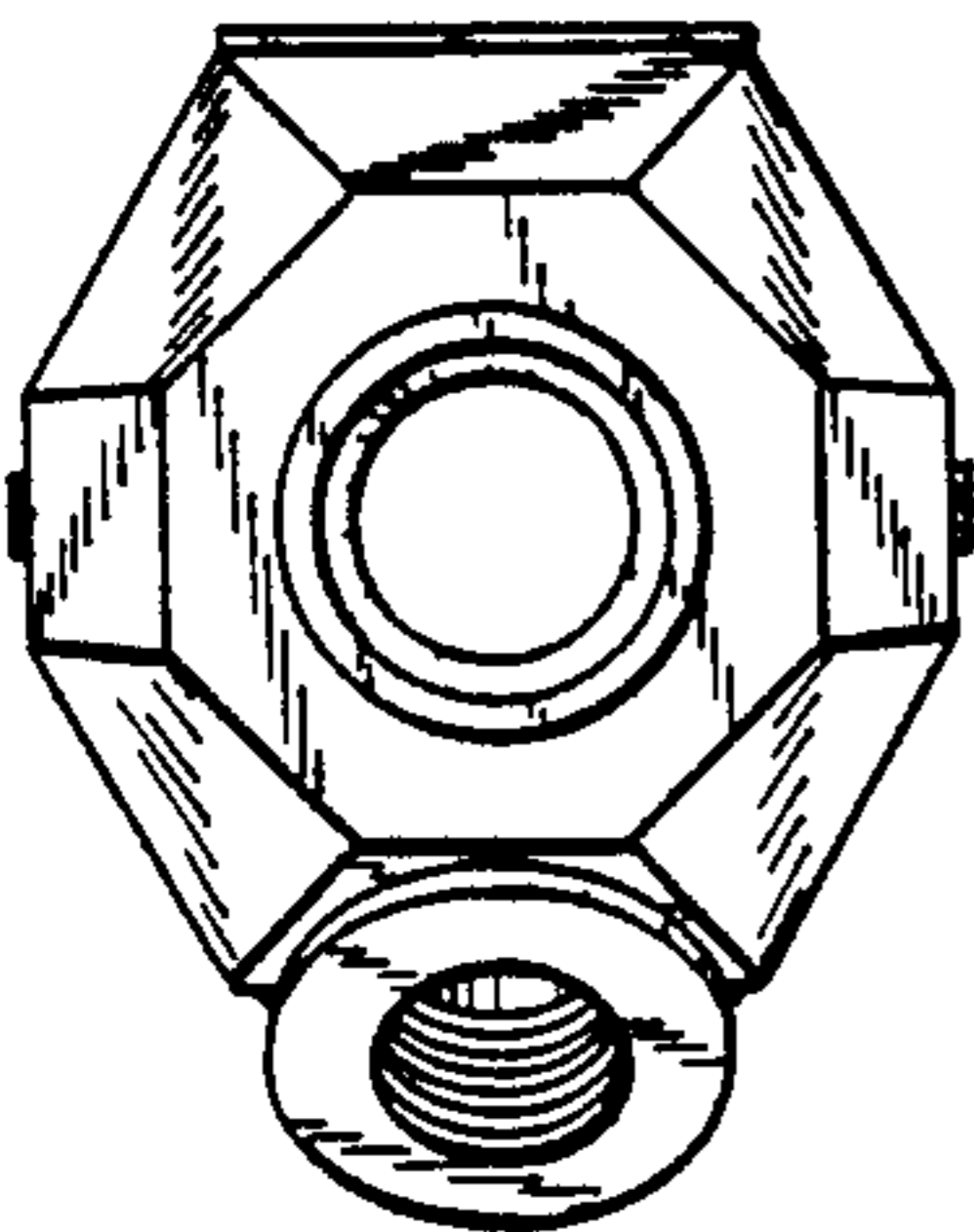
D. 59,877	11/1921	Taylor	D15/7
D. 177,632	5/1956	Lawson	D15/7
D. 244,937	7/1977	Houk	D23/40
D. 284,603	7/1986	Loignon	D23/40
905,818	12/1908	Langford	417/181
973,405	10/1910	Clark et al.	417/181
1,118,971	12/1914	Tomko	417/181
1,933,165	10/1933	Curtis	417/181
1,972,955	9/1934	Saugman	417/181
2,582,069	1/1952	Rosp	417/181

[57] **CLAIM**

The ornamental design for a fluid ejector pump, as shown and described.

DESCRIPTION

FIG. 1 is an end elevational view of a fluid ejector pump showing my new design;
 FIG. 2 is a side elevational view thereof;
 FIG. 3 is an elevational view taken from the end opposite that shown in FIG. 1;
 FIG. 4 is an elevational view taken from the side opposite that shown in FIG. 2;
 FIG. 5 is a top plan view thereof; and
 FIG. 6 is a bottom plan view thereof.



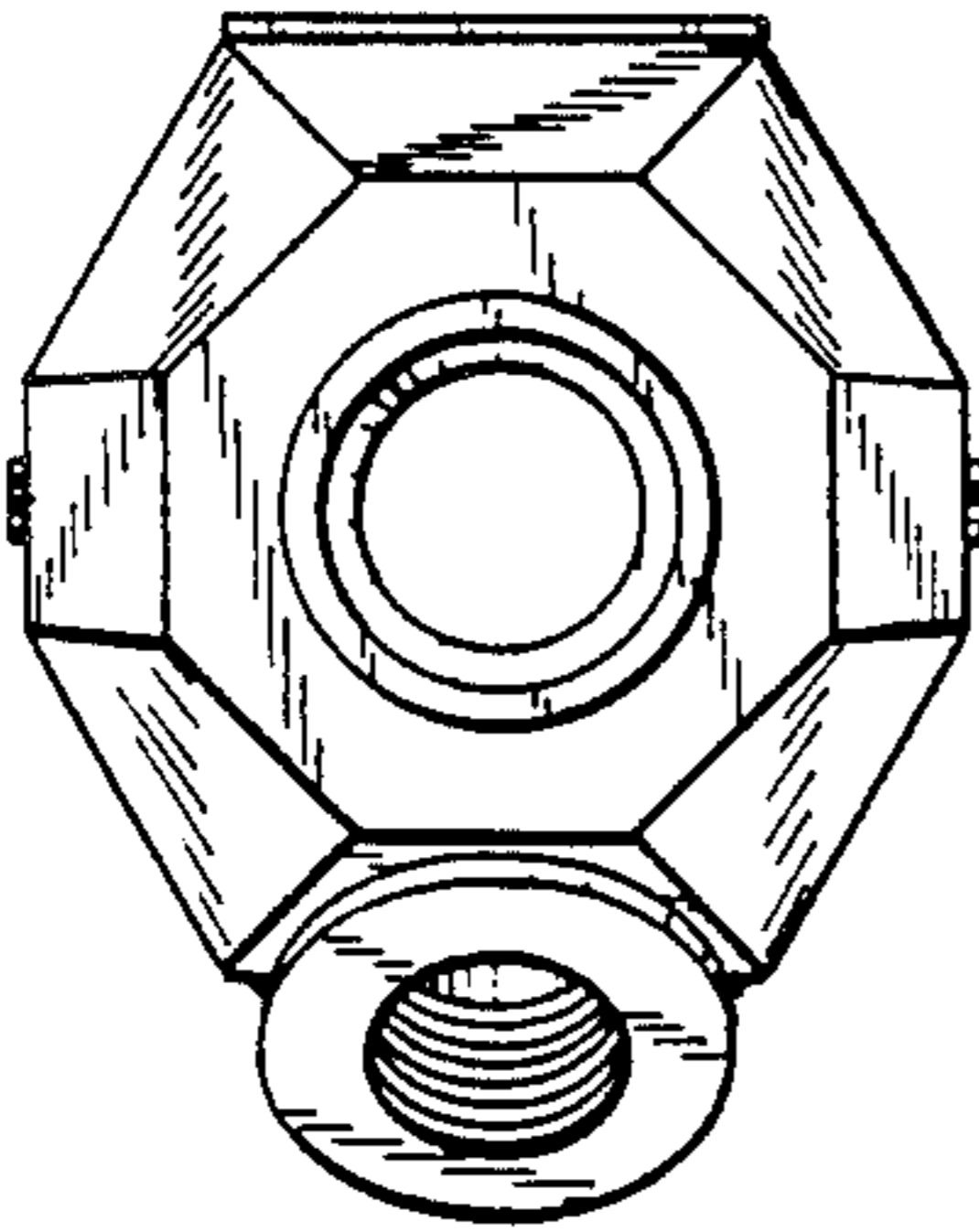


FIG. 1

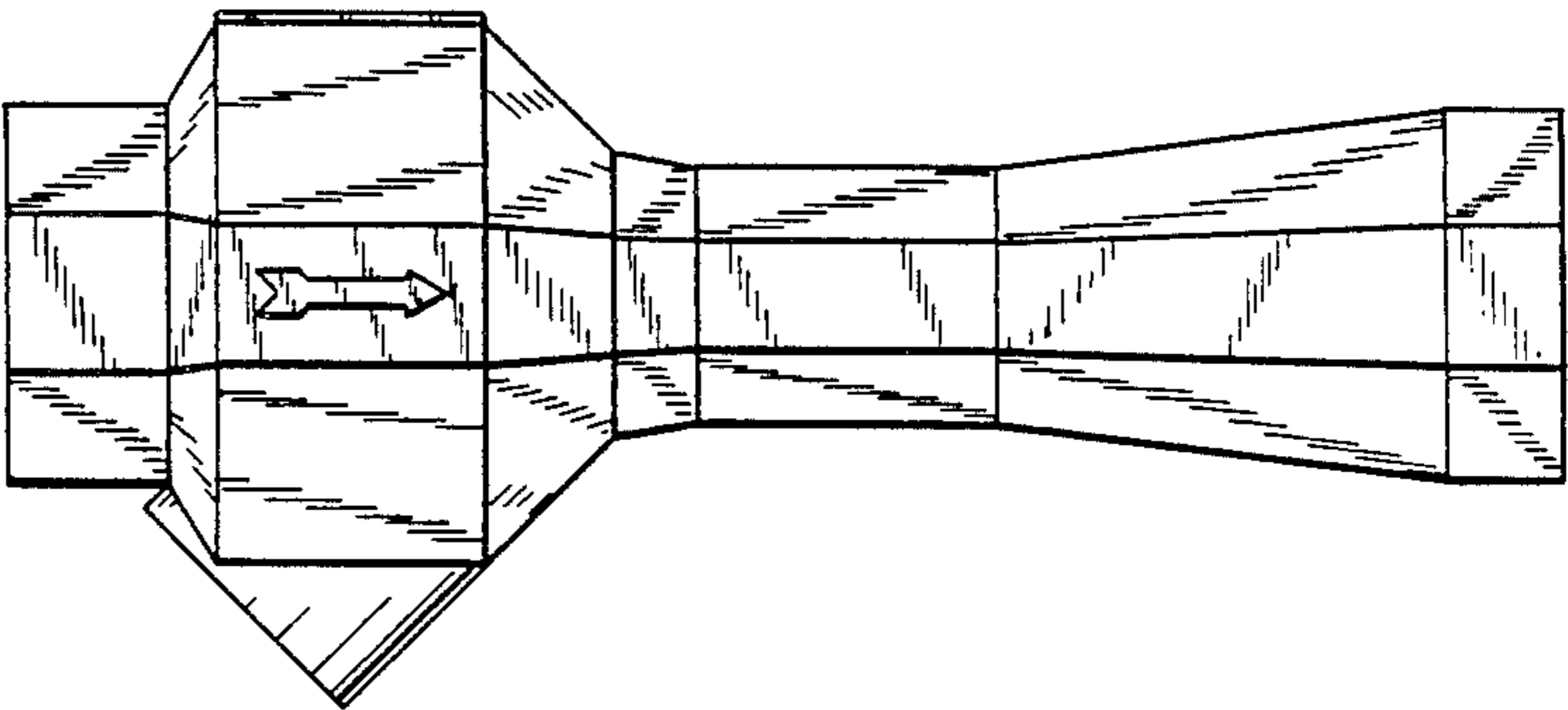


FIG. 2

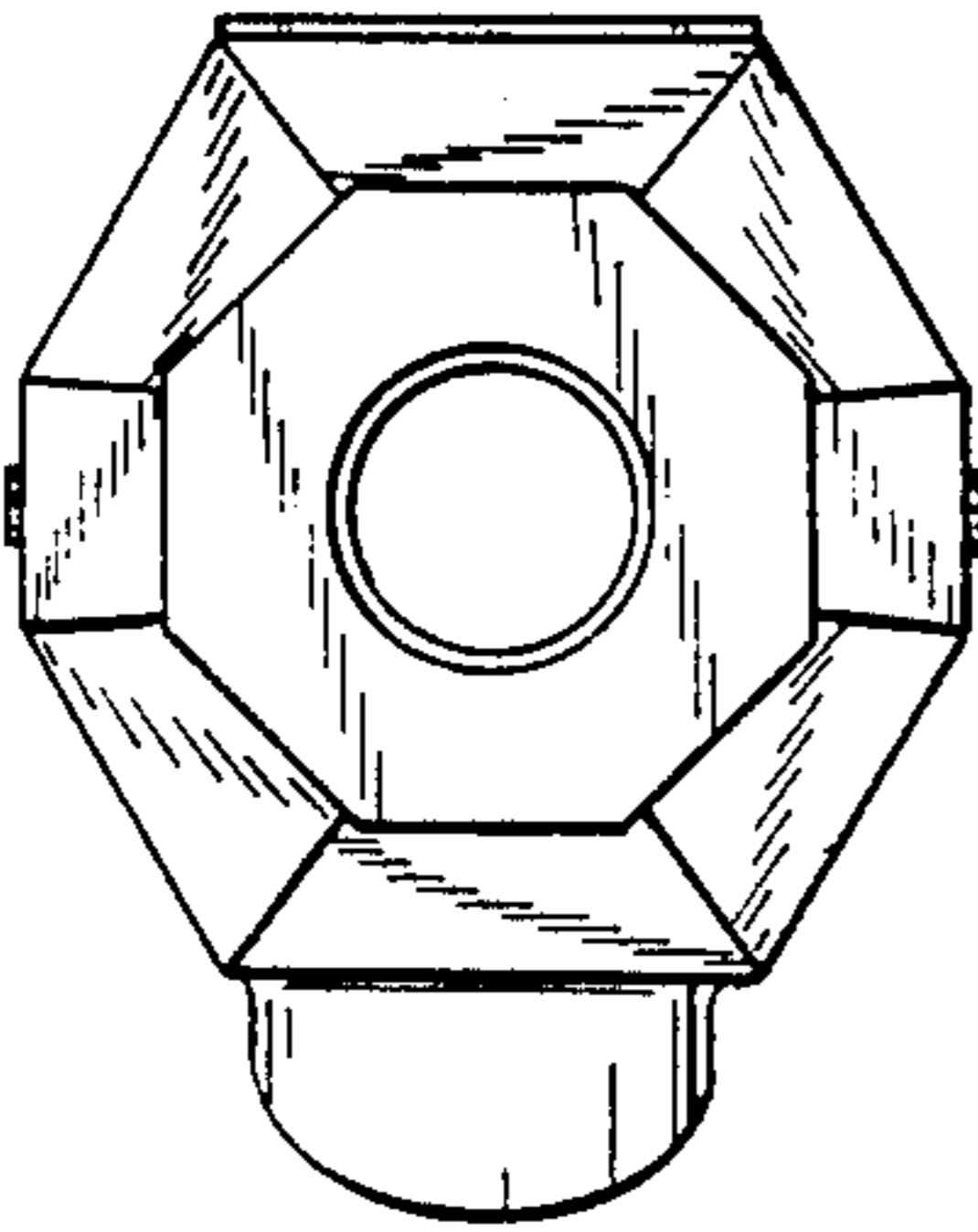


FIG. 3

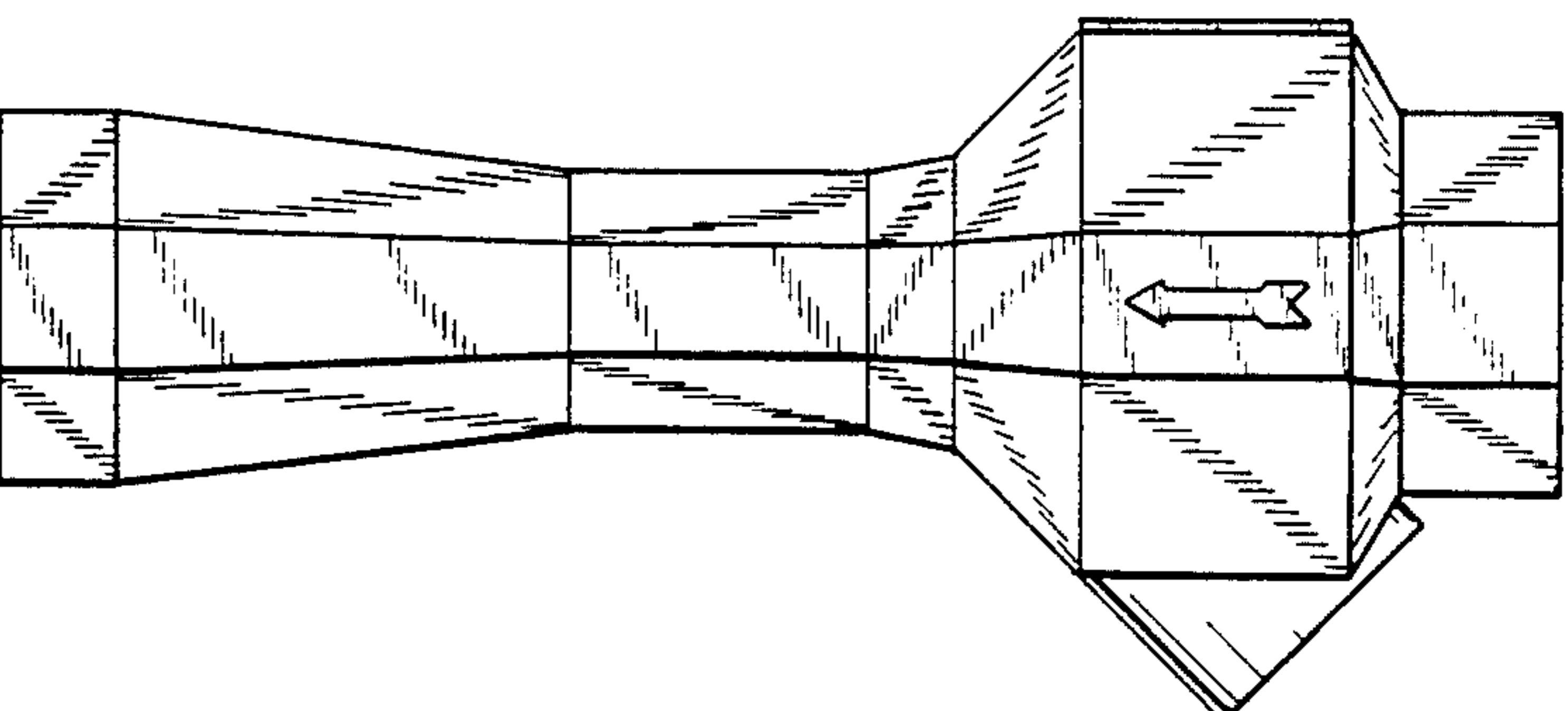


FIG. 4

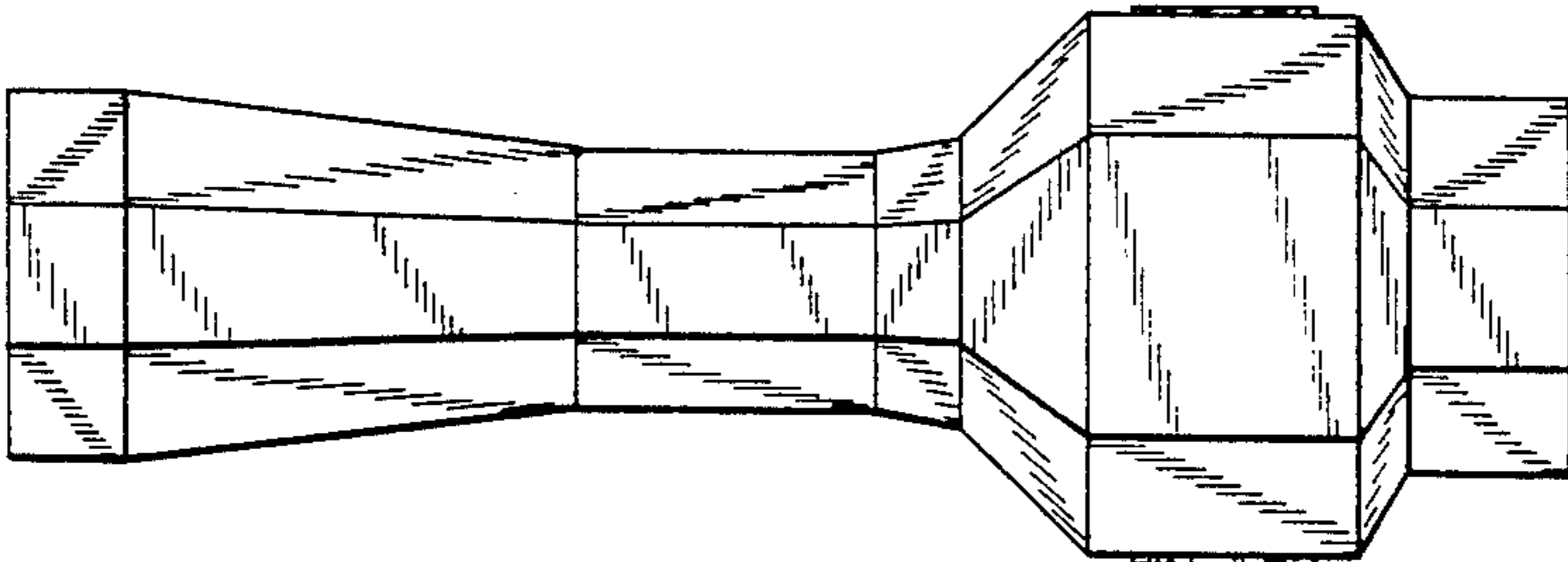


FIG. 5

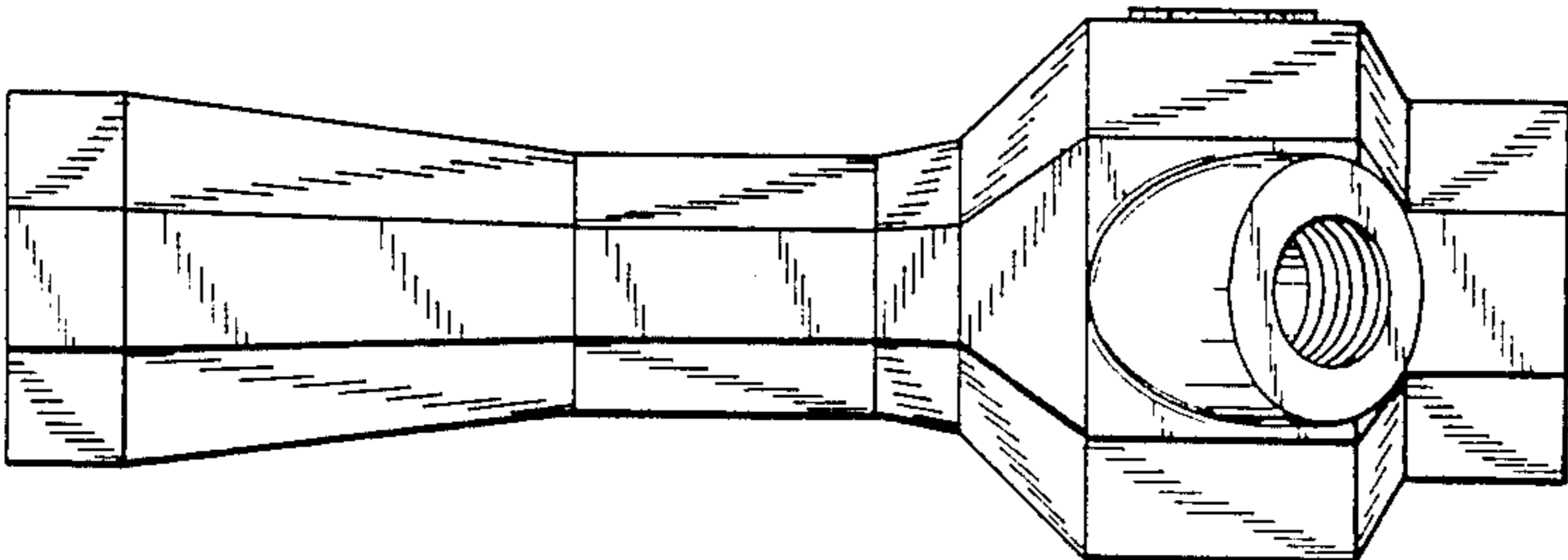


FIG. 6