

**United States Patent** [19]  
**Yankovec**

[11] **Patent Number: Des. 294,260**  
[45] **Date of Patent: \*\* Feb. 16, 1988**

[54] **VIDEO DISPLAY UNIT**

[76] **Inventor: Lorimer J. Yankovec, Rte. 4  
Windmill Village, Glenwood, Minn.  
56334**

[\*\*] **Term: 14 Years**

[21] **Appl. No.: 700,464**

[22] **Filed: Feb. 11, 1985**

[52] **U.S. Cl. .... D14/80; D14/113**

[58] **Field of Search ..... D16/2, 3; D14/113, 106,  
D14/77, 80, 81; 358/237, 254, 255; 312/7.2**

[56] **References Cited**

**U.S. PATENT DOCUMENTS**

- D. 194,763 3/1963 Harman ..... D14/80
- D. 223,429 4/1972 Shimano ..... D14/77
- D. 235,655 7/1975 Clement ..... D14/77 X

- D. 273,584 4/1984 McGarvey et al. .... D14/106
- 3,794,399 2/1974 Conner et al. .... 312/7.2 X
- 3,816,646 6/1974 Cinque ..... 358/254 X
- 3,930,701 1/1976 Otakie ..... 312/7.2 X
- 4,438,458 3/1984 Münscher ..... 358/254

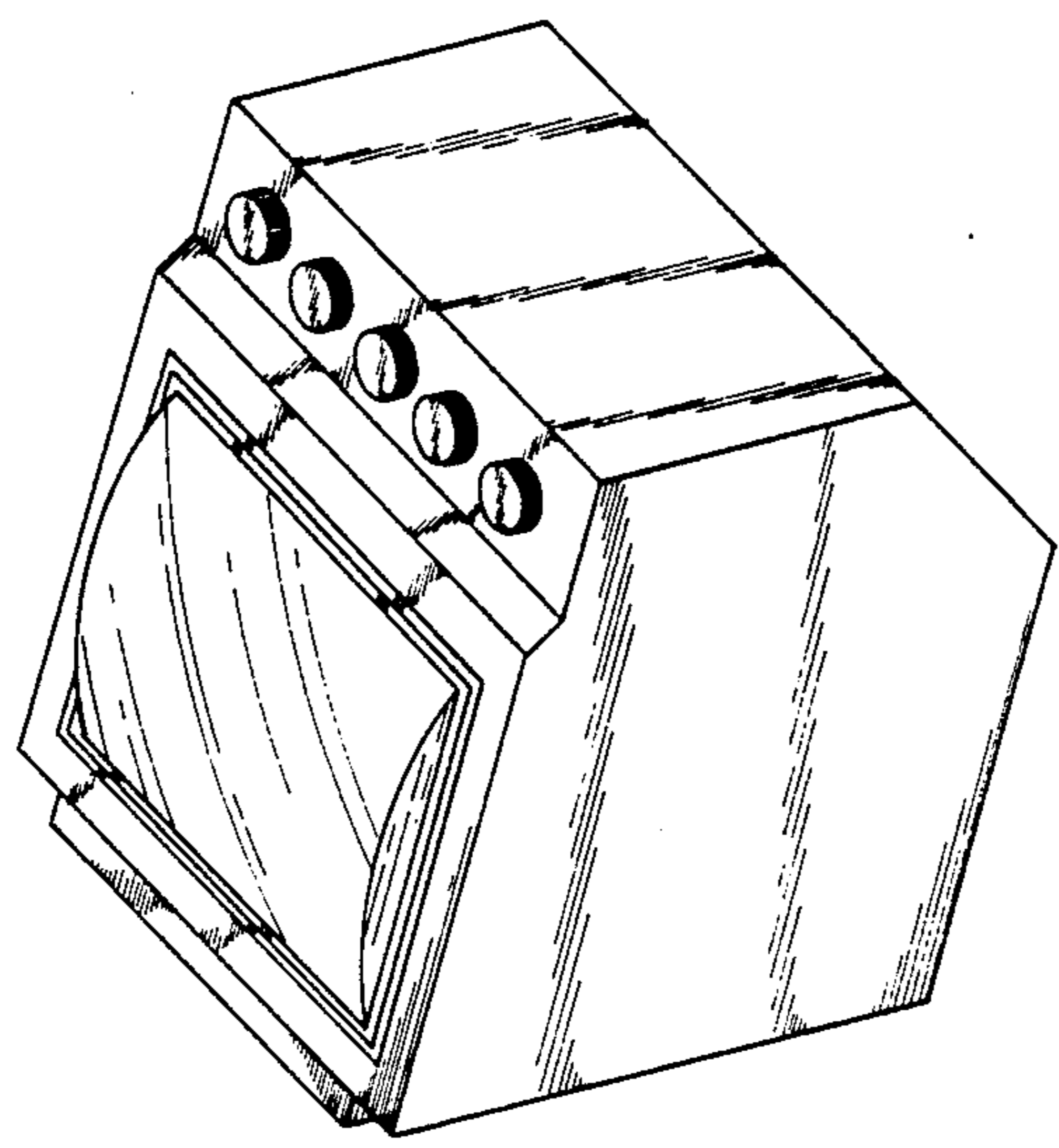
*Primary Examiner*—Bernard Ansher  
*Assistant Examiner*—Theodore M. Shooman  
*Attorney, Agent, or Firm*—Gilden & Israel

[57] **CLAIM**

The ornamental design for a video display unit, as shown and described.

**DESCRIPTION**

FIG. 1 is a top perspective view of a video display unit, showing my new design;  
FIG. 2 is a left side elevational view thereof;  
FIG. 3 is a rear elevational view thereof; and,  
FIG. 4 is a bottom plan view thereof.



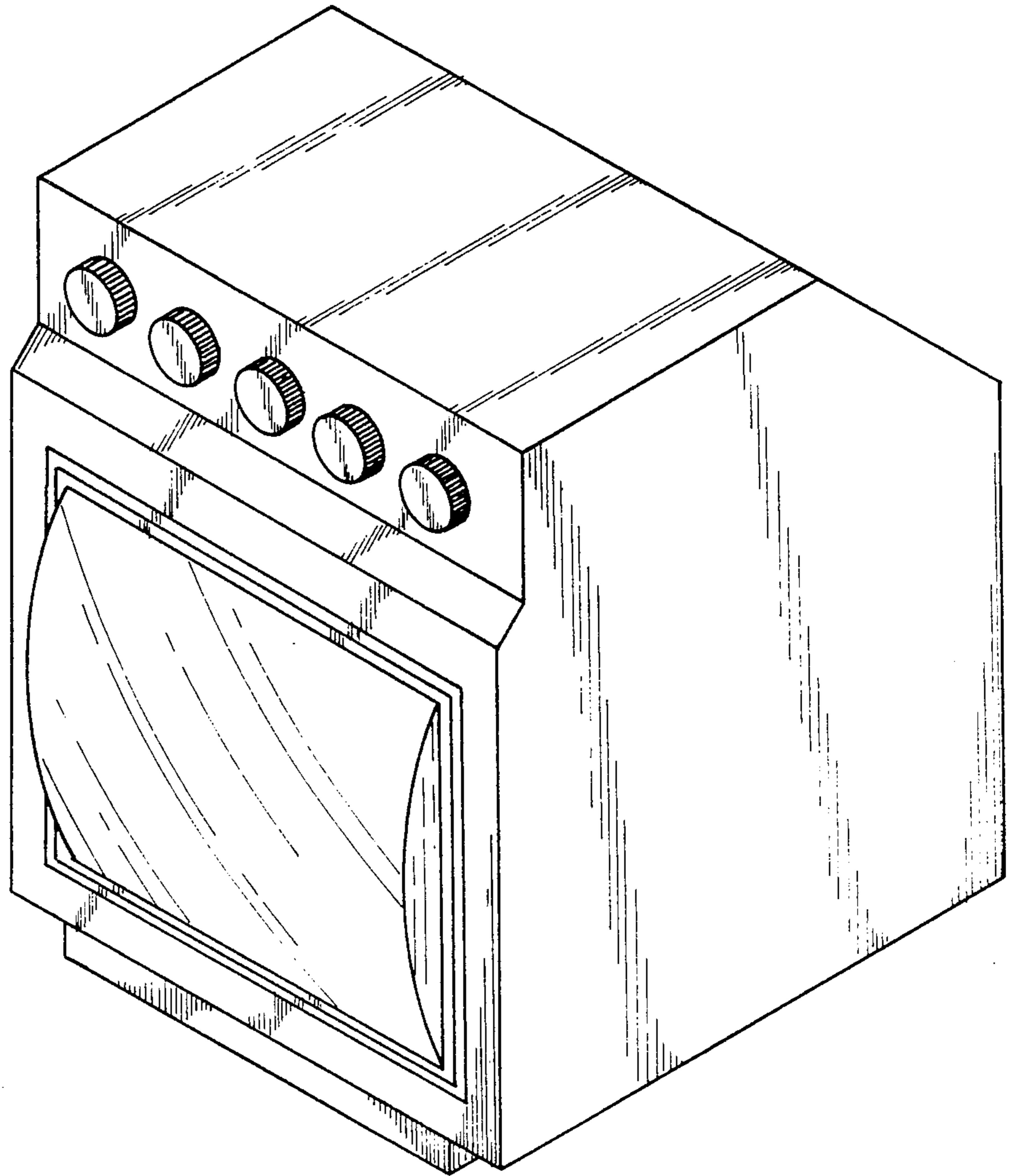


FIG 1

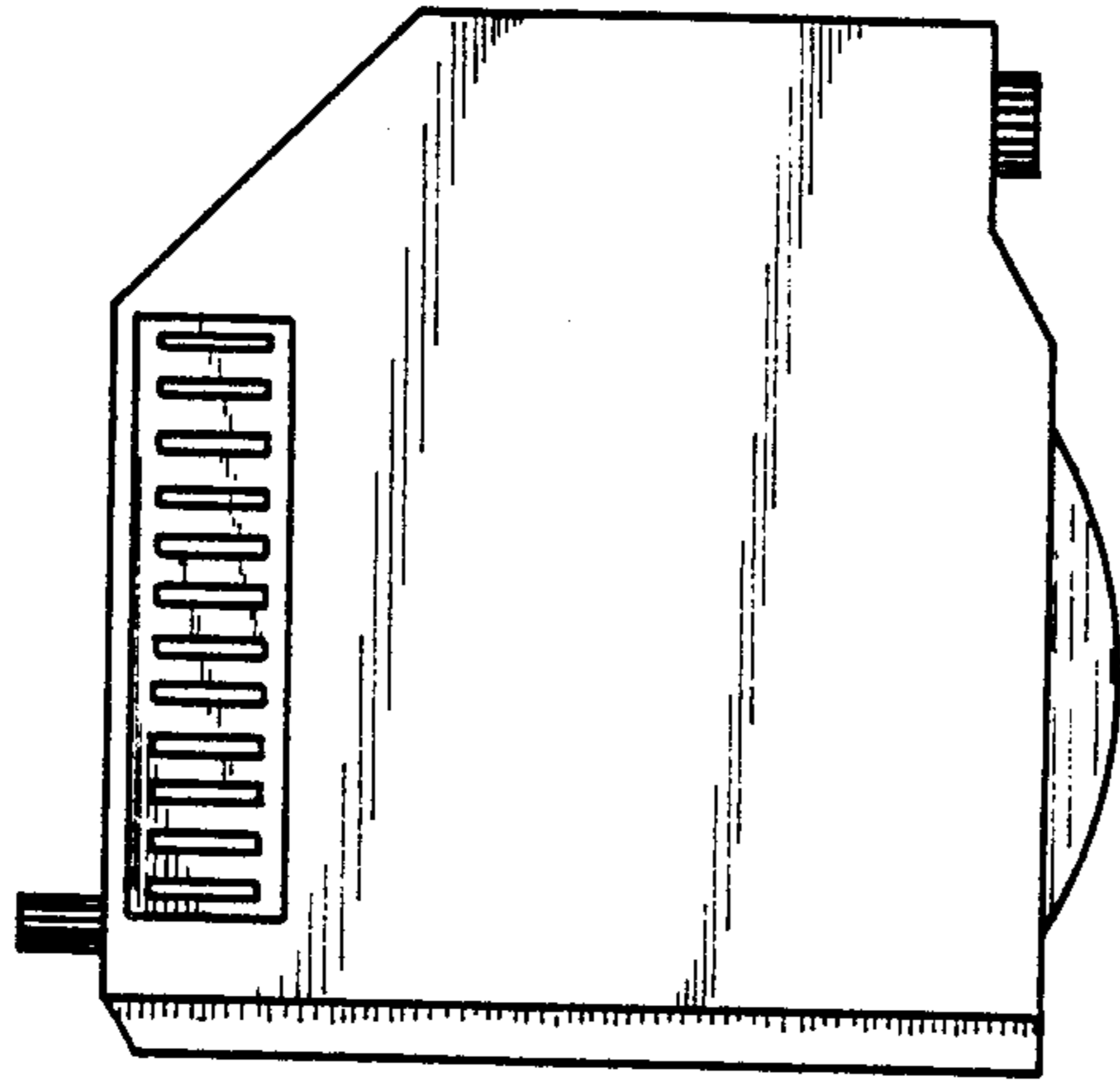


FIG 2

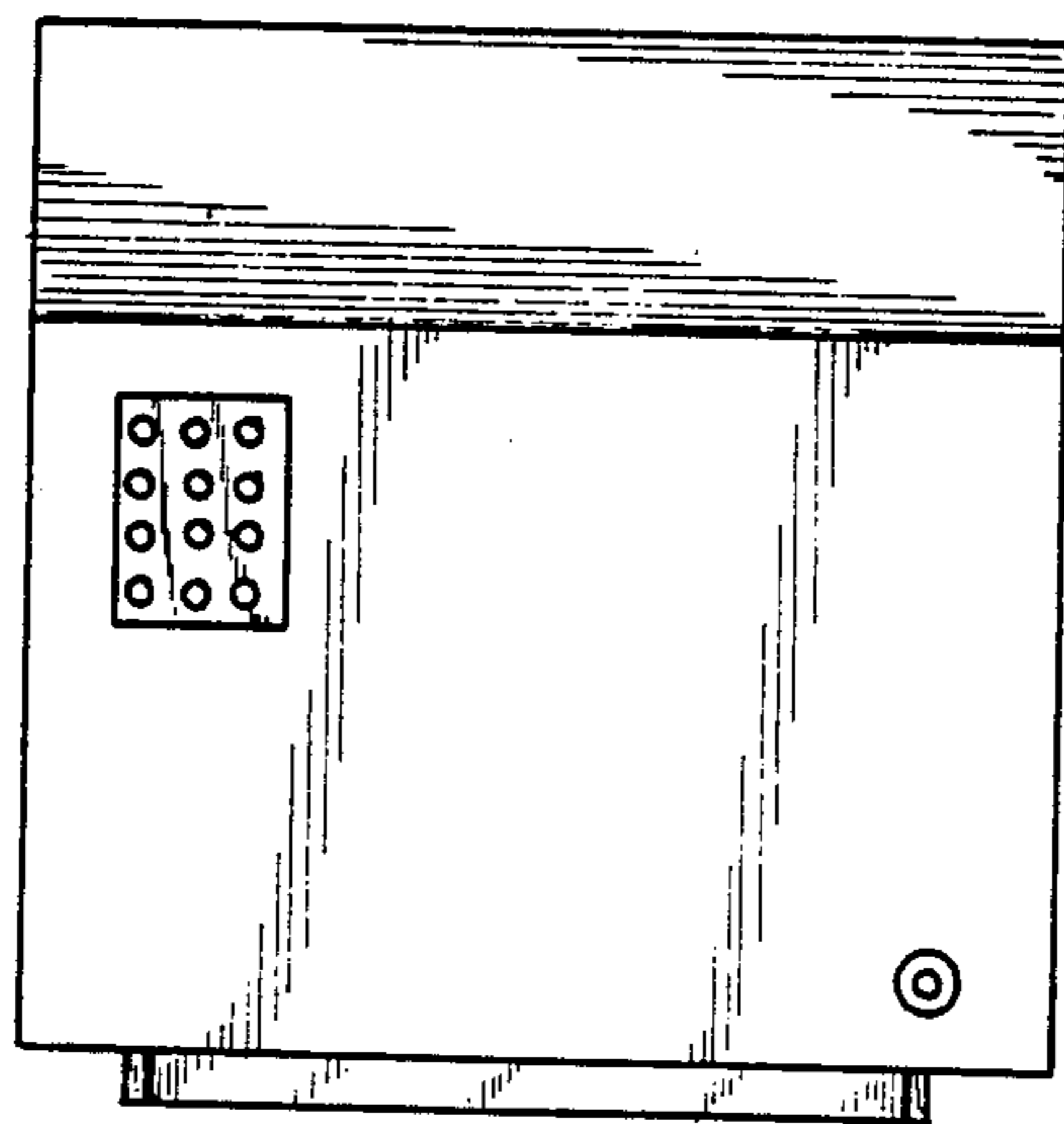


FIG 3

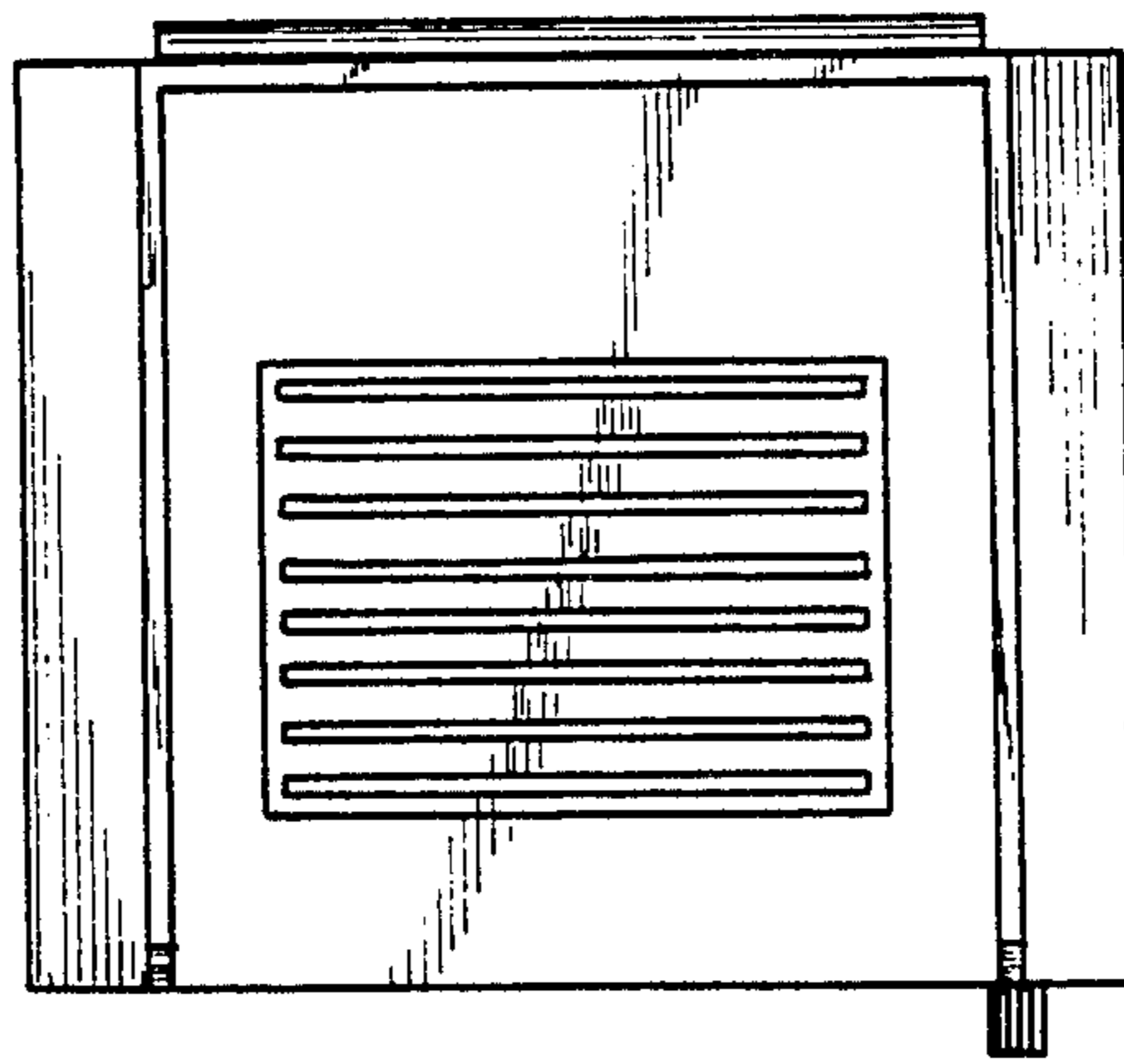


FIG 4