

[54] INTEGRATED VOICE AND DATA TERMINAL

[75] Inventors: Norio Watanabe; Toyoshi Watanabe; Takashi Tokura; Shinsuke Hoshina; Syuzo Kato, all of Tokyo, Japan

[73] Assignee: NEC Corporation, Tokyo, Japan

[**] Term: 14 Years

[21] Appl. No.: 842,889

[22] Filed: Mar. 12, 1986

[30] Foreign Application Priority Data

Sep. 12, 1985 [JP] Japan 60-38776

[52] U.S. CL D14/53; D14/52; D14/62; D14/57; D14/58

[58] Field of Search D14/53, 63, 57, 54, D14/58, 101, 102, 104, 105; 379/432, 436, 433, 96, 428; D18/7

[56] References Cited

U.S. PATENT DOCUMENTS

- D. 254,617 4/1980 Yamasaki D14/105
- D. 266,512 10/1982 Furbershaw et al. D14/101
- D. 269,268 6/1983 Ko D14/53
- D. 279,106 7/1985 Sawada et al. D18/7
- D. 281,423 11/1985 Oshima et al. D14/58
- D. 281,606 12/1985 Nuttall D18/7

- D. 282,843 3/1986 Kurihara D18/7
- D. 286,056 10/1986 Kikuchi et al. D18/7
- D. 287,011 12/1986 Kaki D14/62 X
- D. 290,373 6/1987 Yubisui et al. D18/7
- D. 290,600 6/1987 Offredi D14/57 X

OTHER PUBLICATIONS

"DISPLAY PHONE" TM Integrated Voice and Data Telephone Concept from Canada.

"ITT Infor Station" TM, Intelligent Work Station. Mini-Micro Systems, Nov. 1984.

Primary Examiner—Wallace R. Burke

Assistant Examiner—Horace B. Fay, Jr.

Attorney, Agent, or Firm—Sughrue, Mion, Zinn, Macpeak & Seas

[57] CLAIM

The ornamental design for an integrated voice and data terminal, as shown.

DESCRIPTION

FIG. 1 is a top plan view of an integrated voice and data terminal, as shown in our new design;
 FIG. 2 is a front elevational view thereof;
 FIG. 3 is a rear elevational view thereof;
 FIG. 4 is a left side elevational view thereof;
 FIG. 5 is a right side elevational view thereof;
 FIG. 6 is a bottom plan view thereof; and
 FIG. 7 is a perspective view thereof.

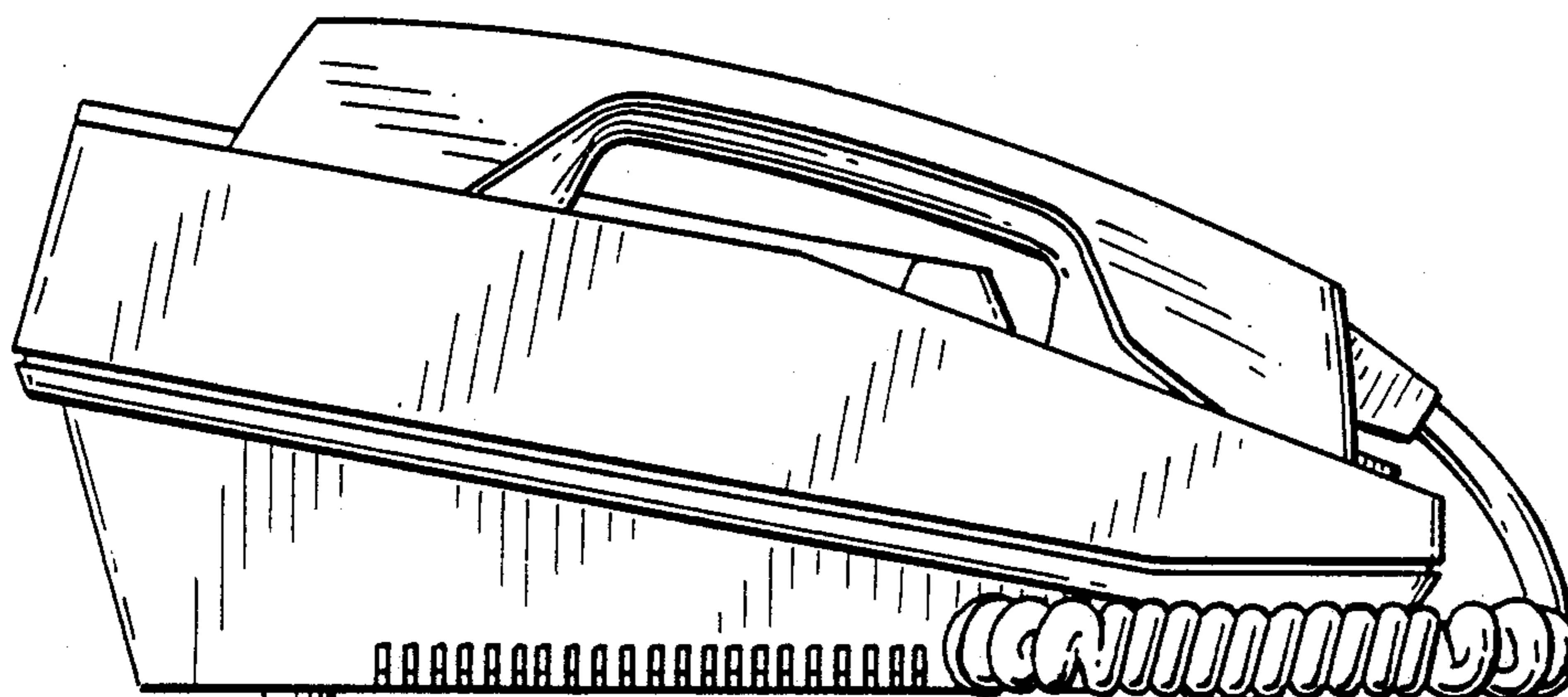
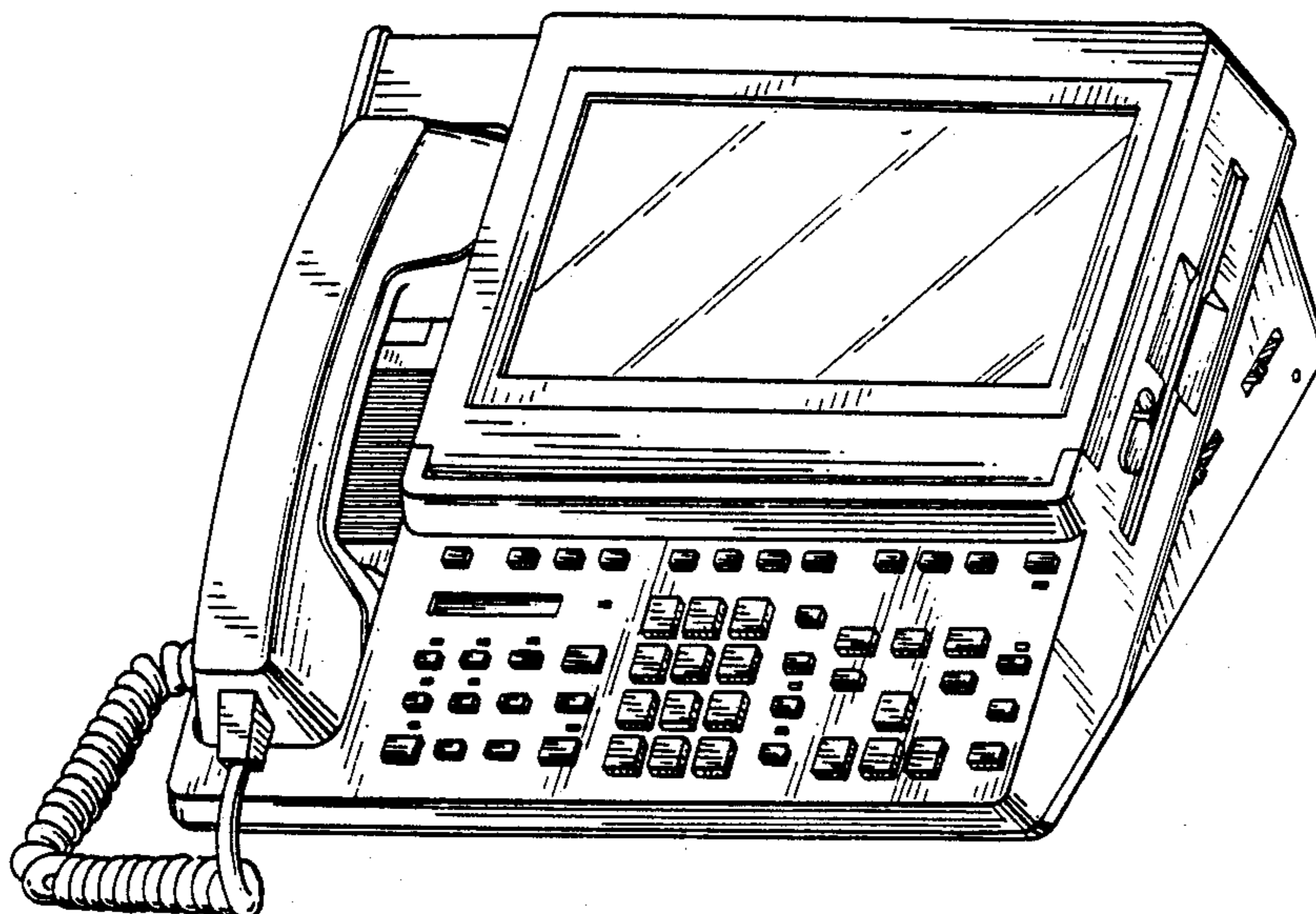


FIG. 1

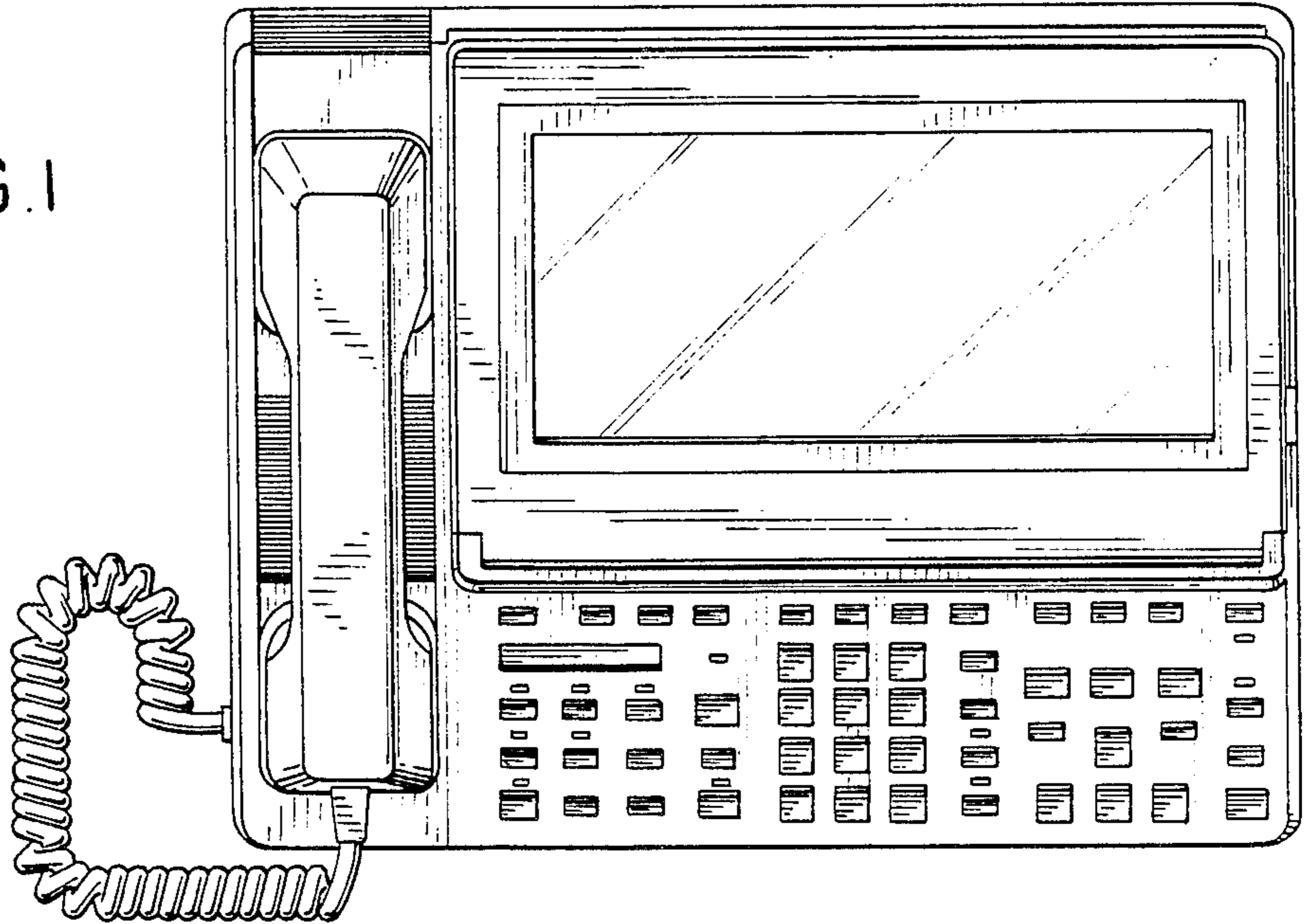


FIG. 2

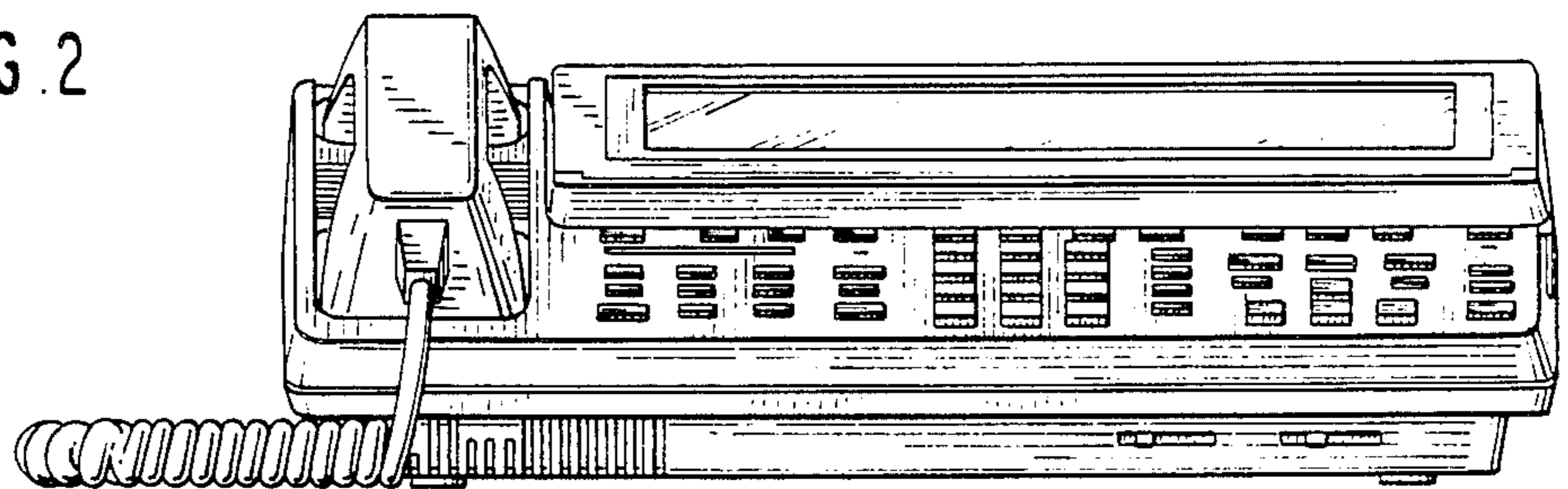


FIG. 3

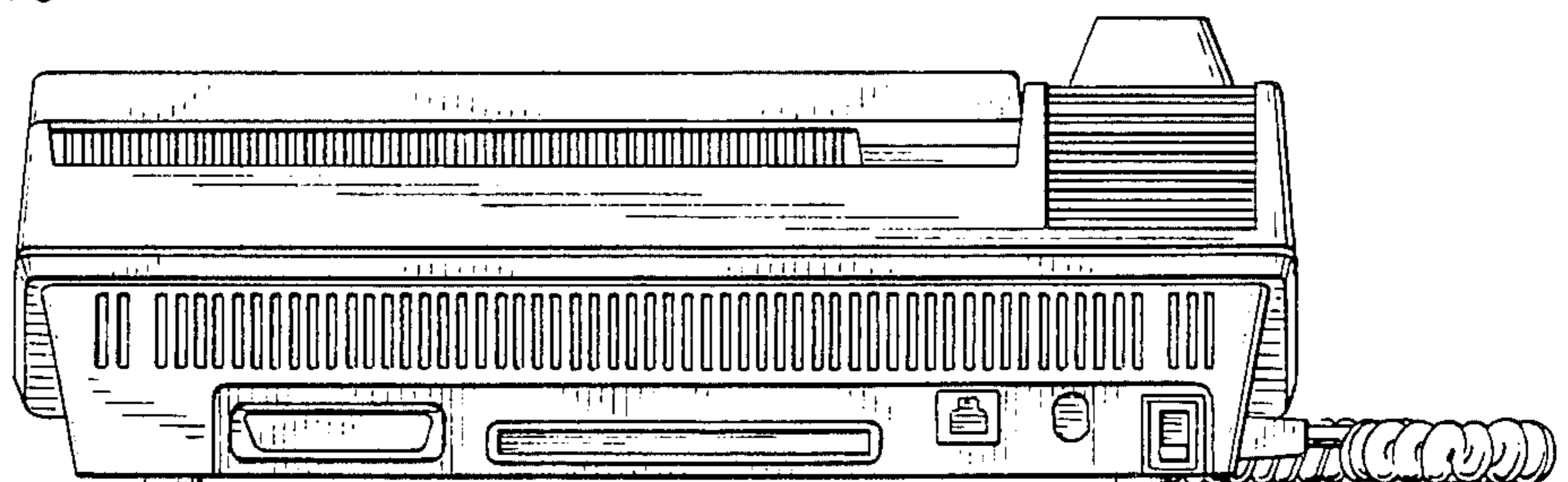


FIG. 4

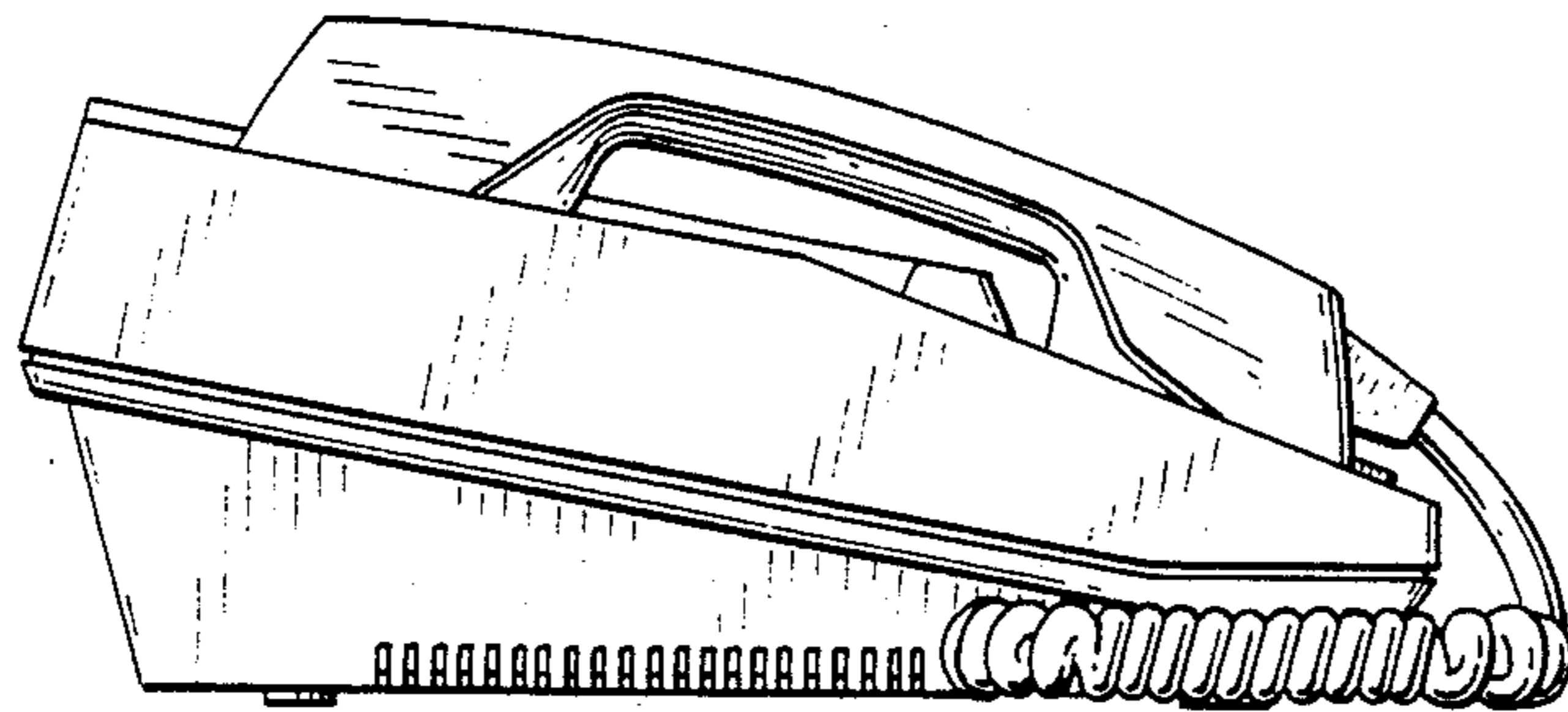


FIG. 5

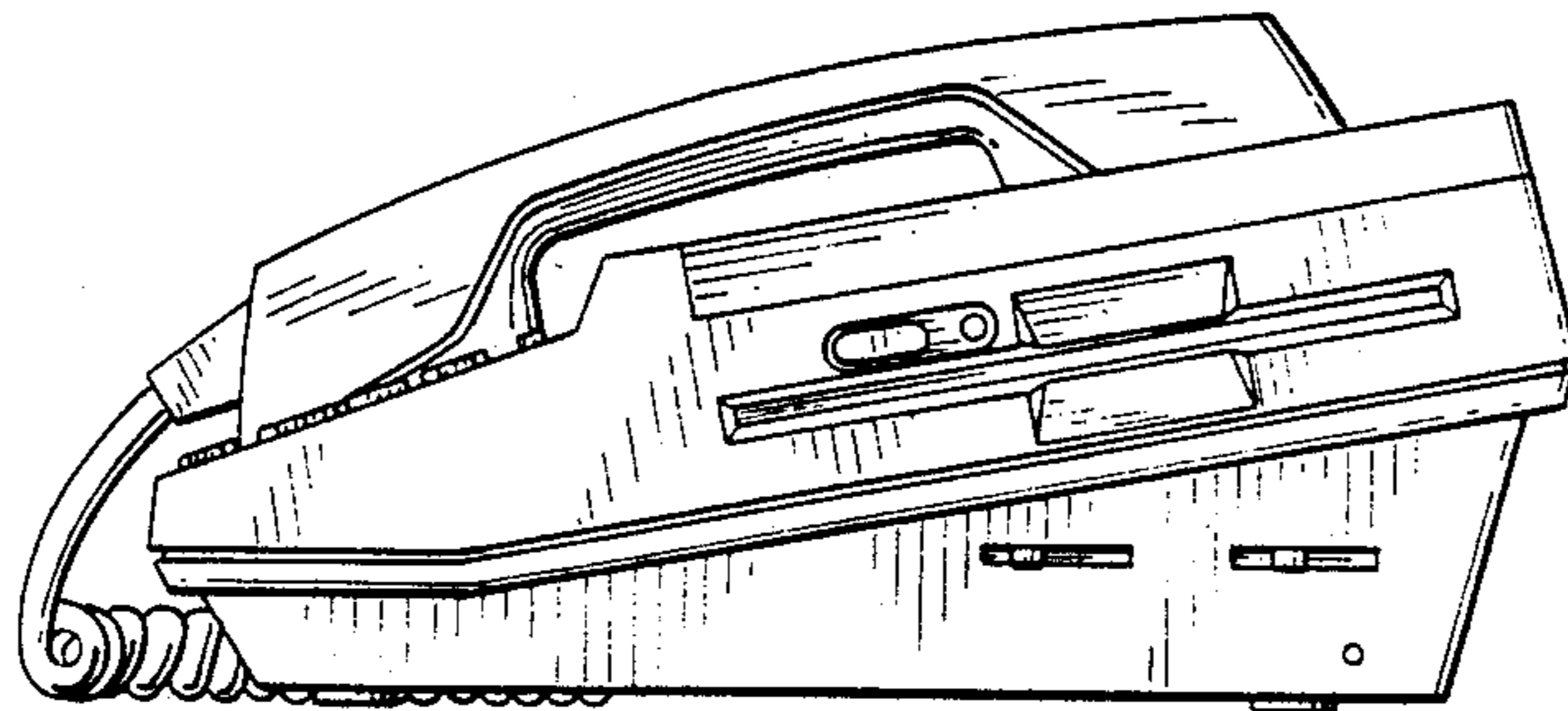


FIG. 6

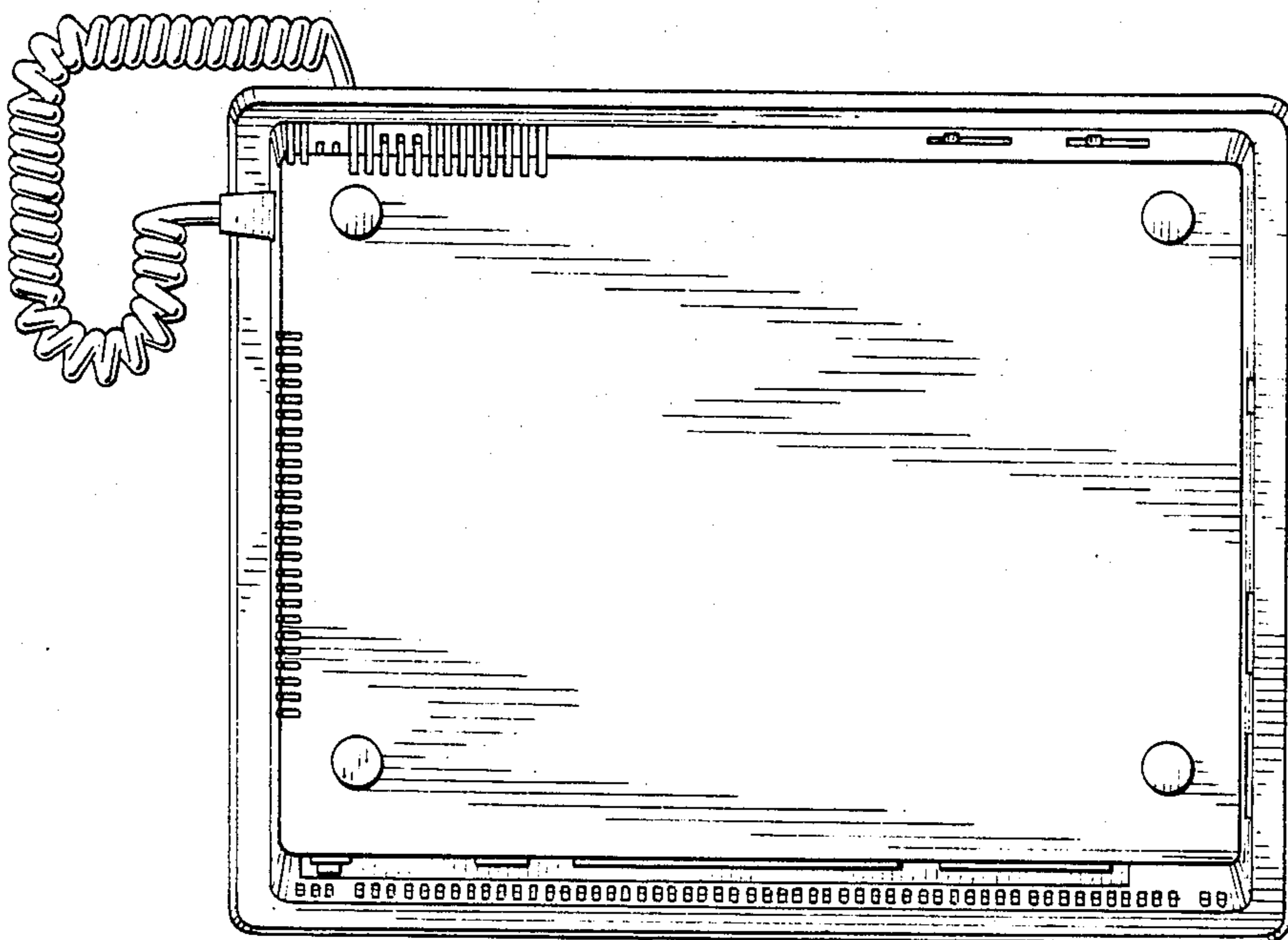


FIG. 7

